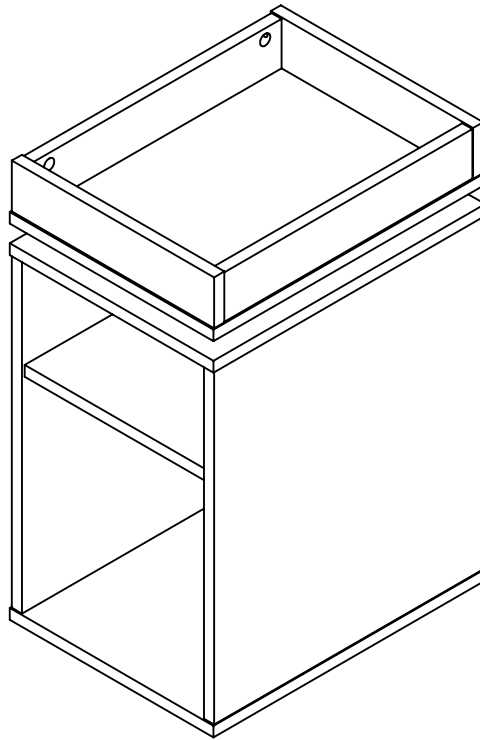


GREY

NAPLES STORAGE SIDE TABLE

ASSEMBLY INSTRUCTIONS



IMPORTANT

FOR DOMESTIC USE ONLY

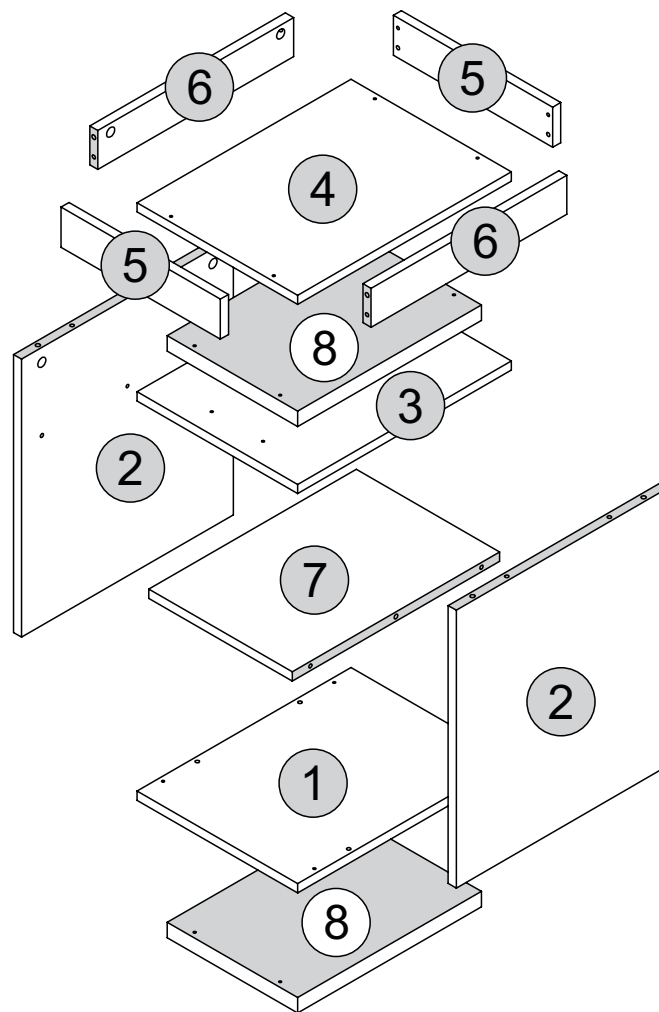
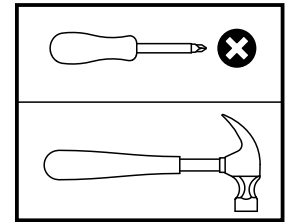
PLEASE READ BEFORE YOU CONTINUE FURTHER

CARE AND MAINTENANCE

After unpacking this product please keep the original packaging in case it needs to be returned for any reason.

- Please ensure all fittings and parts are present before commencing with assembly.
- Never drag or push products as this could cause damage to the joints making it inferior.
- We strongly recommend that you keep children away from your work area.
- We recommend that you lay a blanket or sheet on the floor to avoid damage to both your floor and the product.
- Assemble this product as close to its final position as possible.
- Do not place this product next to a radiator or in direct sunlight.
- Do not drag or push items across your high gloss furniture as this may cause the surface to scratch
- Wood is a natural product and may expand if subjected to damp and may shrink or crack if subjected to heat. Therefore it is recommended that room temperature is maintained, with no sudden temperature fluctuations.
- Make sure any spillage is wiped off immediately.
- Do not place hot or chilled items directly on to the surface, use a place mat or marking will occur.
- For general cleaning use a soft cotton or micro fibre cloth, and do not use detergents of any kind.
- From time to time it may be necessary to tighten fittings, regular inspections should be carried out.
- Do not place on a wet or damp floor as staining may occur to your floor.

TOOLS REQUIRED

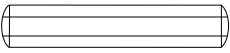

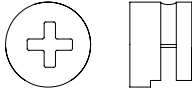

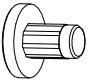
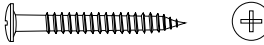
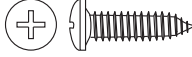
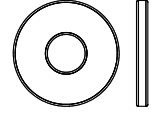





PARTS LIST

Please Note:
The below parts have all been stamped with the part number to help identify them during assembly.

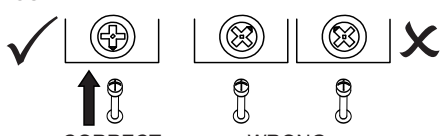
Part Number	Part Code	Part Description	Quantity	Carton
1	S300-302-043-AY1-01	Base Panel	1	1/1
2	S300-302-043-AY1-02	Side Panel	2	1/1
3	S300-302-043-AY1-03	Top Panel	1	1/1
4	S300-302-043-AY1-04	Tray Base	1	1/1
5	S300-302-043-AY1-05	Tray Front/Back Frame	2	1/1
6	S300-302-043-AY1-06	Tray Side Frame	2	1/1
7	S300-302-043-AY1-07	Shelf	1	1/1
8	S300-302-043-AY1-08	Middle Top/Base	2	1/1

FITTINGS LIST

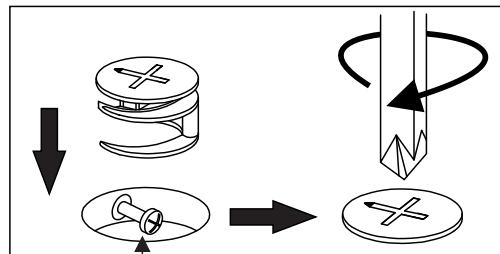
<p>A</p>  <p>2/+ Dowel Ø6,0 x 30mm (16x)</p>	<p>B</p>  <p>2/+ Cam Bolt (10x)</p>	<p>C</p>  <p>2/+ Cam Nut (10x)</p>	<p>D</p>  <p>2/+ Pan Head Screw Ø3,5 x 40mm (4x)</p>
<p>E</p>  <p>Plastic Foot 5X10mm (4x)</p>	<p>F</p>  <p>2/+ Pan Head Screw Ø3,5 x 30mm (16x)</p>	<p>G</p>  <p>1/+ Flat Head Screw Ø4 x 14mm (1x)</p>	<p>H</p>  <p>Washer (2x)</p>
<p>I</p>  <p>2/+ Hole Plugs (8x)</p>	<p>J</p>  <p>Glue (1x)</p>	<p>K</p>  <p>Strap (1x)</p>	

TIPS FOR FITTINGS CAM-LOCKS

WHEN FITTING CAM NUT. ENSURE STARTING POSITION IS CORRECT BEFORE YOU INSERT CONNECTING CAM BOLT TURN CLOCKWISE UNTIL SECURE



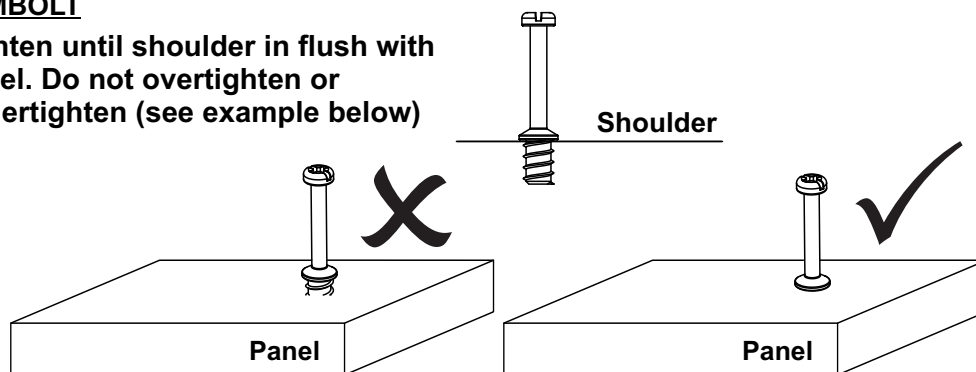
CORRECT
WRONG



Cam bolt head needs to be in centre

CAMBOLT

Tighten until shoulder in flush with panel. Do not overtighten or undertighten (see example below)

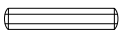


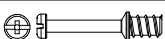
STEP 1

PARTS REQUIRED

2 - SIDE PANEL x2

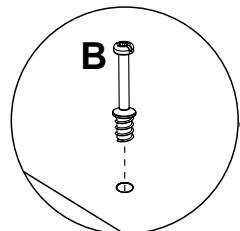
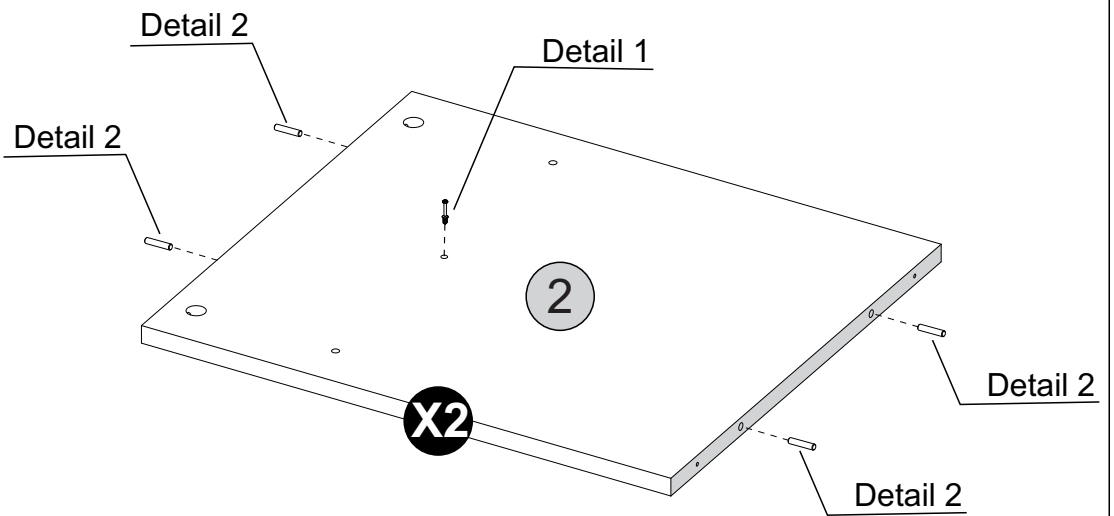
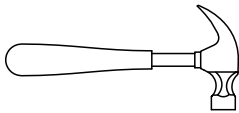
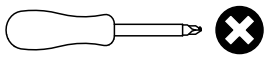
HARDWARE REQUIRED

A  08

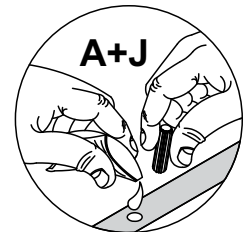
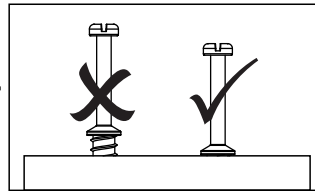
B  02

J  GLUE 01

TOOLS REQUIRED



Detail 1



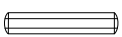
Detail 2

STEP 2

PARTS REQUIRED

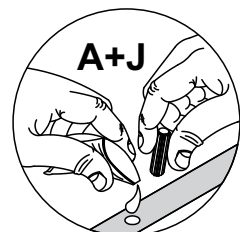
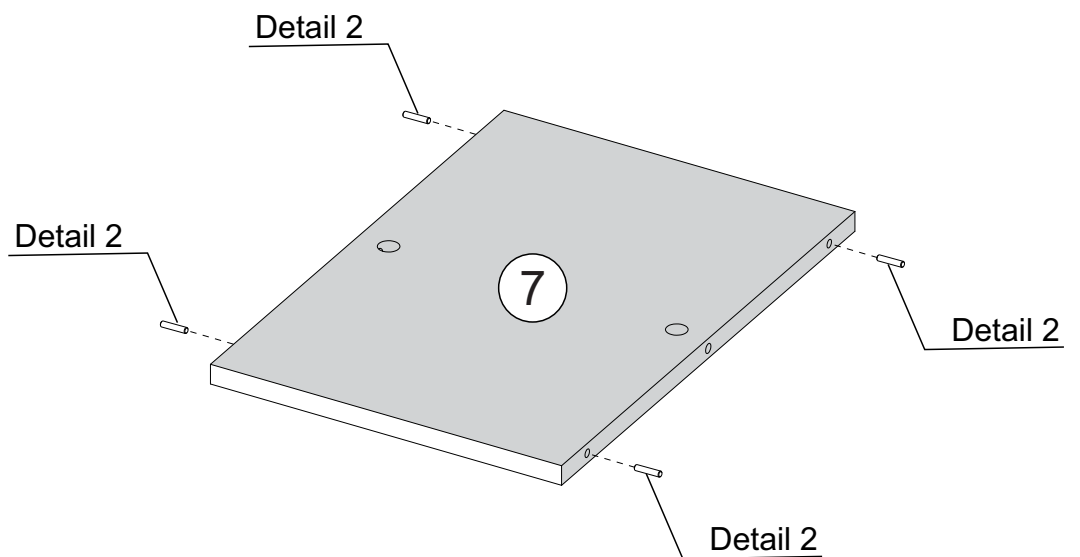
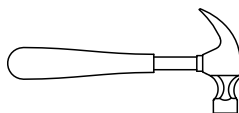
7 - SHELF x1

HARDWARE REQUIRED

A  04

J  GLUE 01

TOOLS REQUIRED




Detail 2

STEP 3

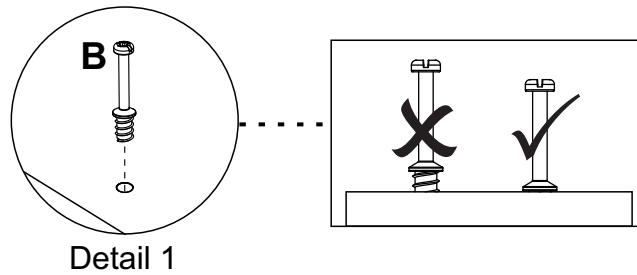
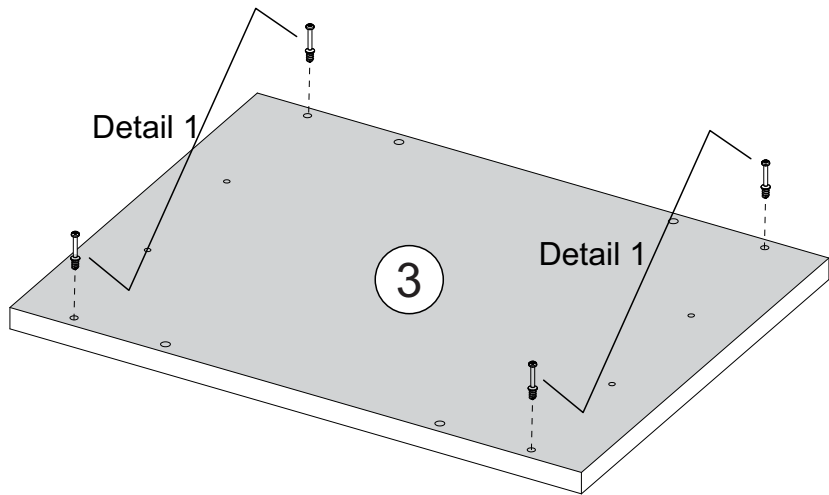
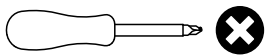
PARTS REQUIRED

3 - TOP PANEL x1

HARDWARE REQUIRED

B  04

TOOLS REQUIRED




STEP 4

PARTS REQUIRED

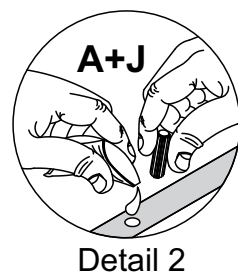
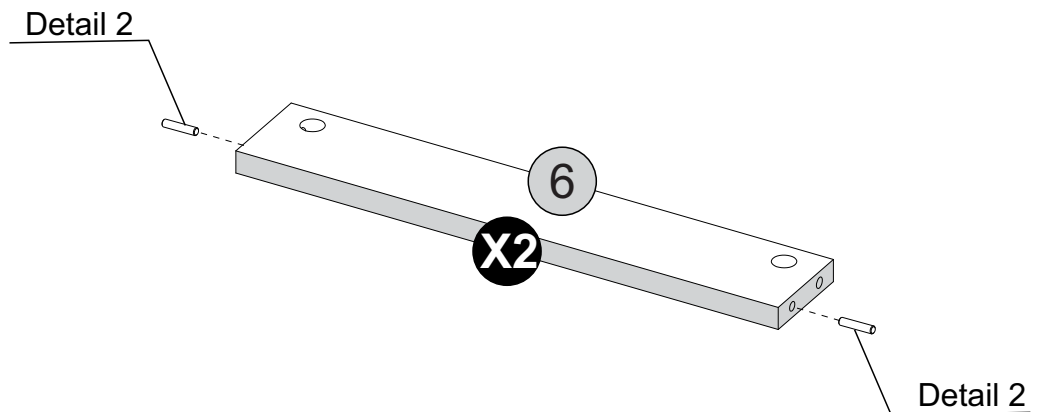
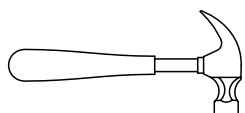
6 - TRAY SIDE FRAME x2

HARDWARE REQUIRED

A  04

J  01

TOOLS REQUIRED



STEP 5

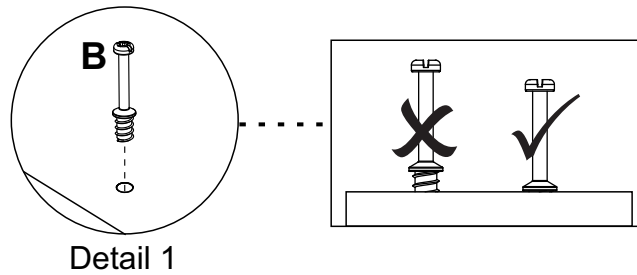
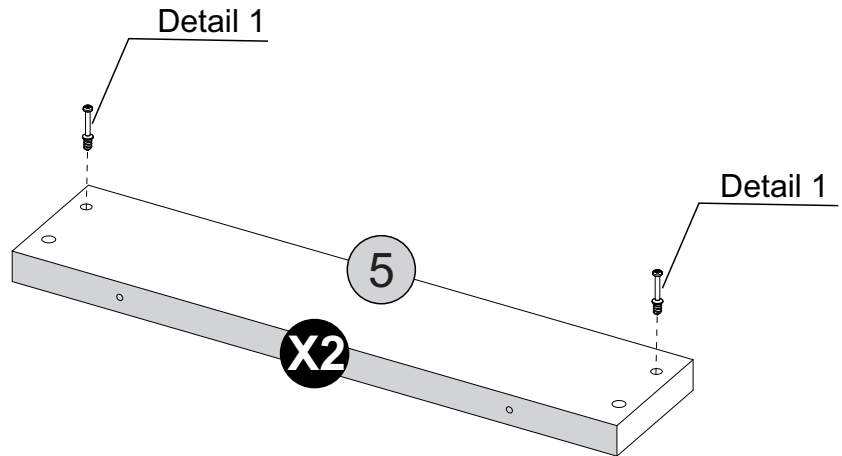
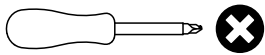
PARTS REQUIRED

5- TRAY FRONT/BACK FRAME x2

HARDWARE REQUIRED

B  04

TOOLS REQUIRED




STEP 6

PARTS REQUIRED

2 - SIDE PANEL x2

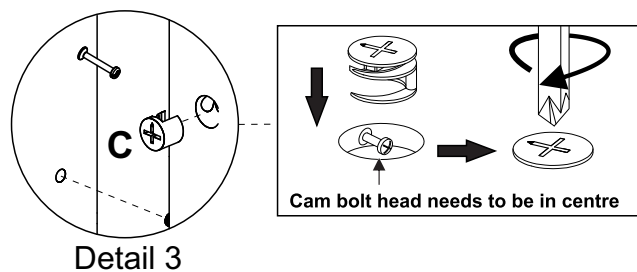
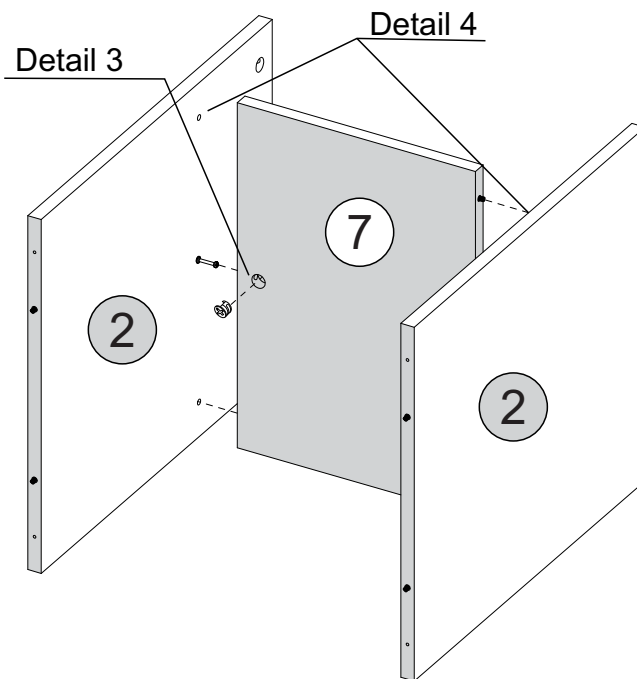
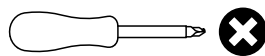
7 - SHELF x1

HARDWARE REQUIRED

C  02

J  01

TOOLS REQUIRED



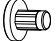
STEP 7

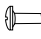
PARTS REQUIRED

1 - BASE PANEL x1

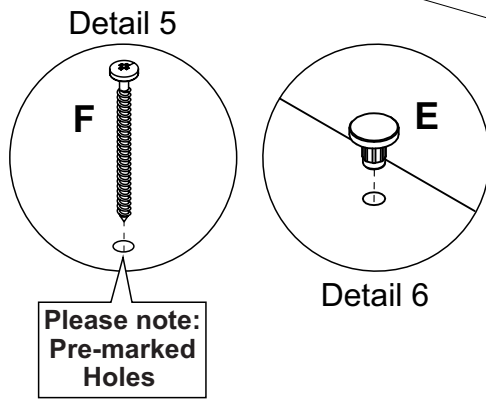
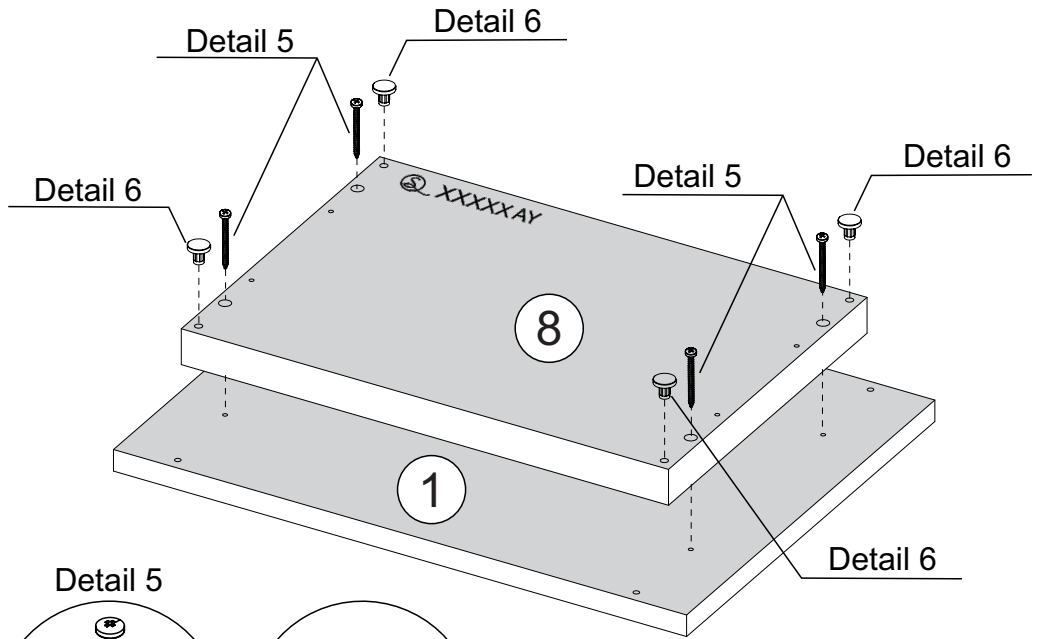
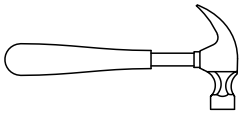
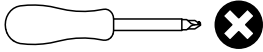
8 - MIDDLE TOP/BASE x1

HARDWARE REQUIRED

E  04

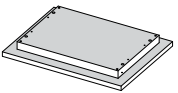
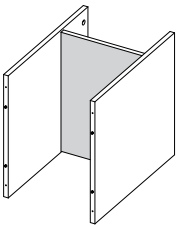
F  04

TOOLS REQUIRED

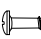


STEP 8

PARTS REQUIRED

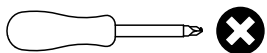


HARDWARE REQUIRED

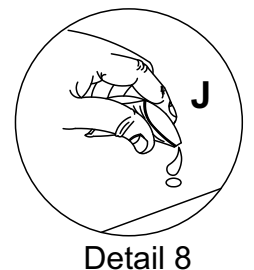
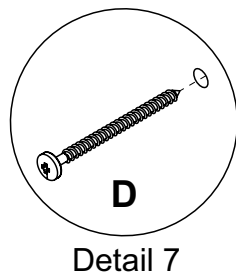
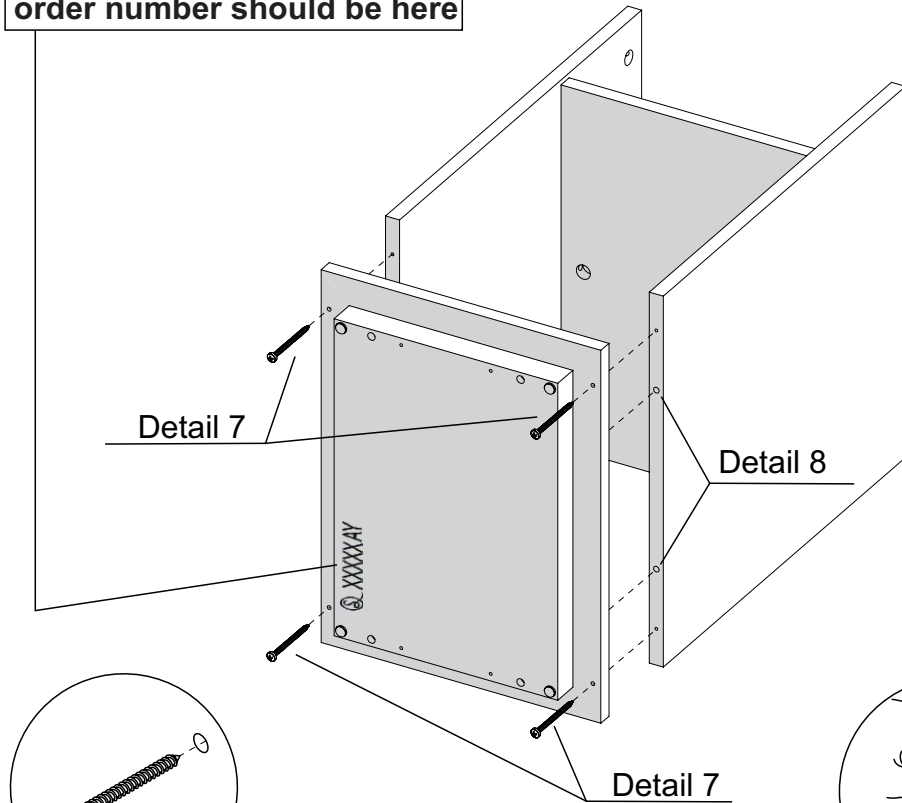
D  04

J  01

TOOLS REQUIRED



For your future reference order number should be here



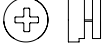
STEP 9

PARTS REQUIRED

5 - TRAY FRONT/BACK FRAME x2

6 - TRAY SIDE FRAME x2

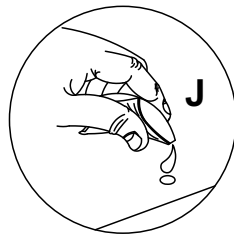
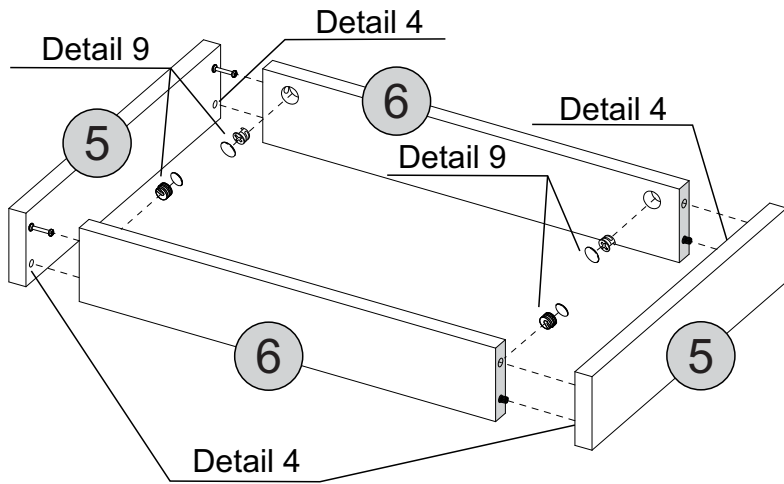
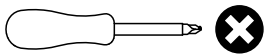
HARDWARE REQUIRED

C  04

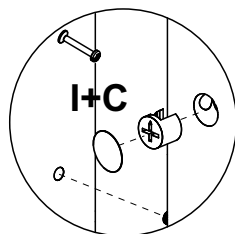
I  04

J  01

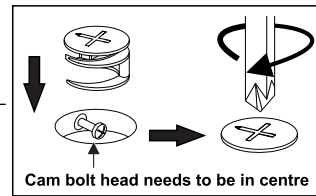
TOOLS REQUIRED



Detail 4



Detail 9



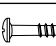
STEP 10

PARTS REQUIRED

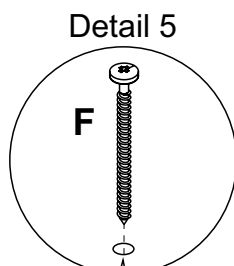
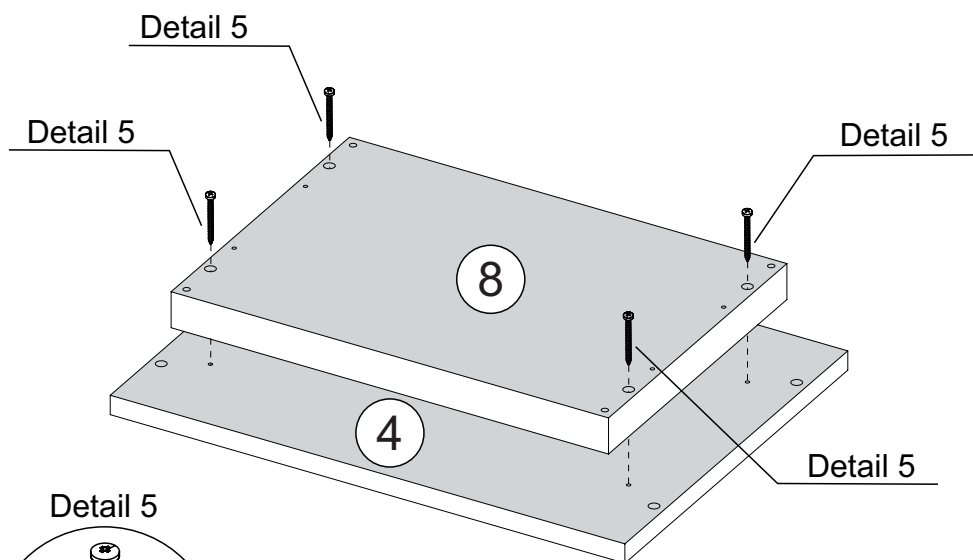
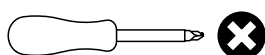
4 - TRAY BASE x1

8 - MIDDLE TOP/BASE x1

HARDWARE REQUIRED

F  04

TOOLS REQUIRED

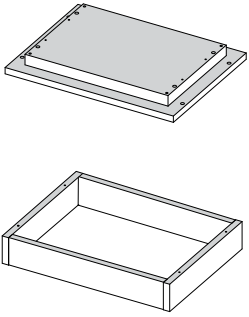


Detail 5

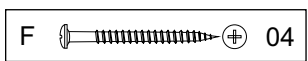
Please note:
Pre-marked
Holes

STEP 11

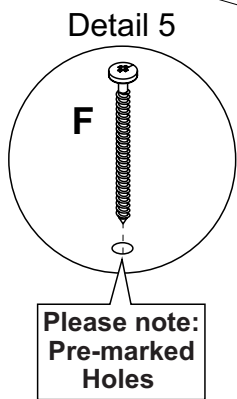
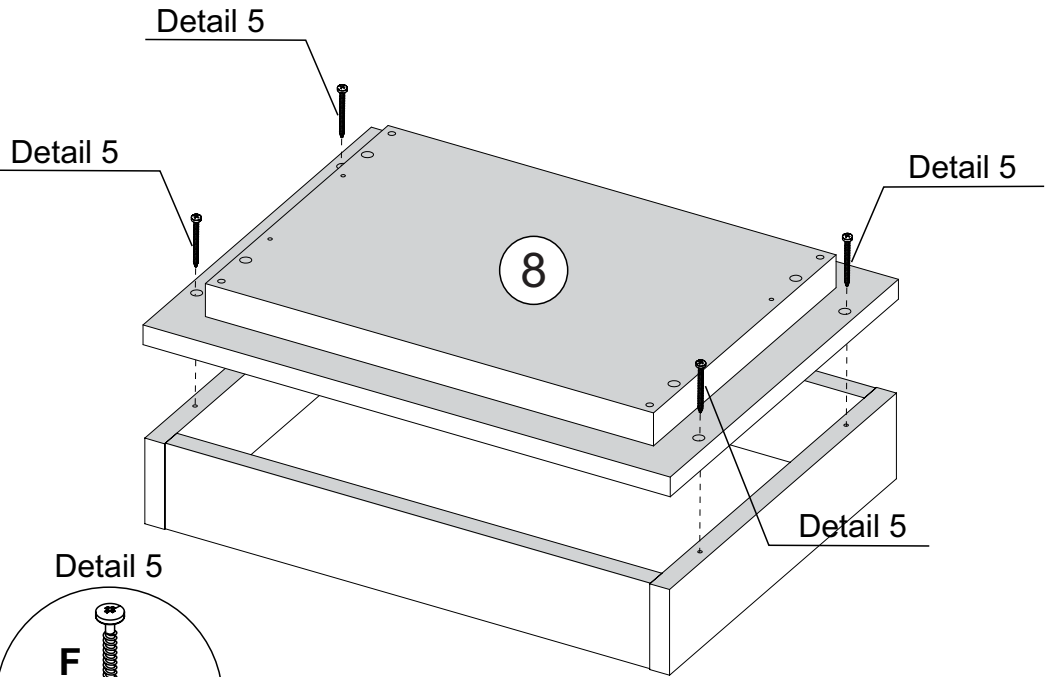
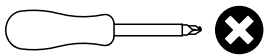
PARTS REQUIRED



HARDWARE REQUIRED



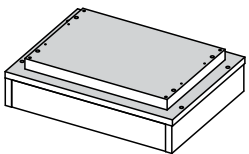
TOOLS REQUIRED



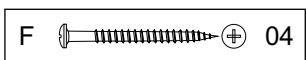
STEP 12

PARTS REQUIRED

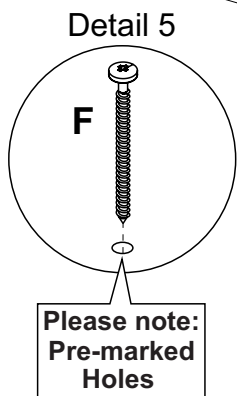
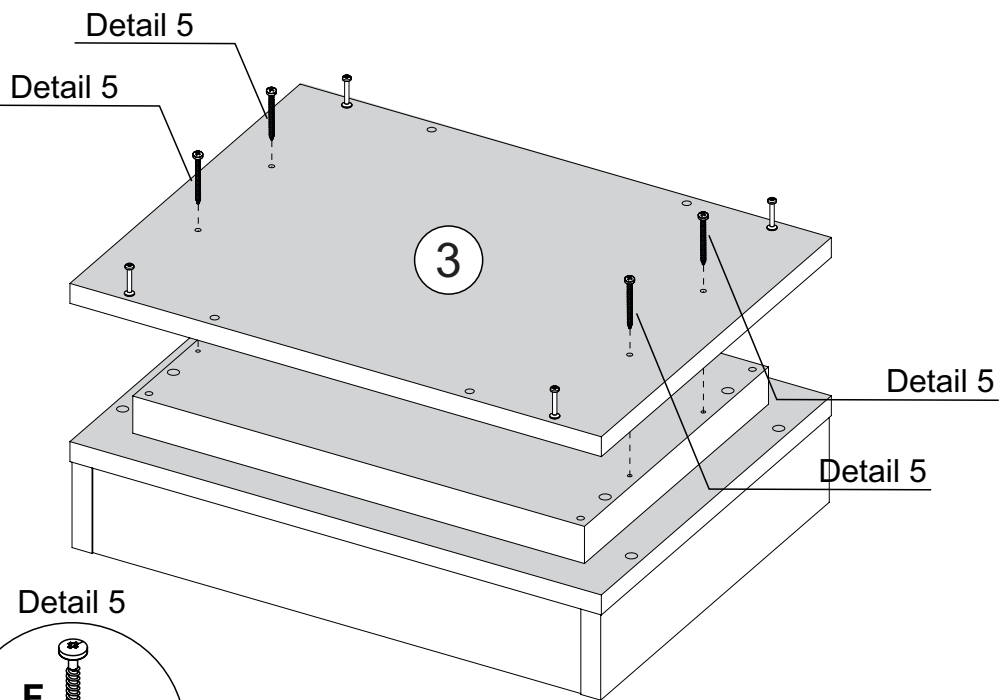
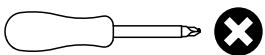
3 - TOP PANEL x1



HARDWARE REQUIRED

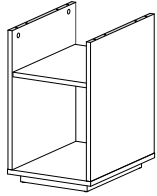
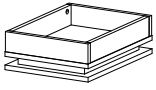


TOOLS REQUIRED

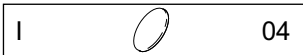


STEP 13

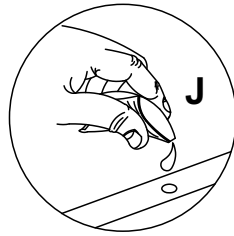
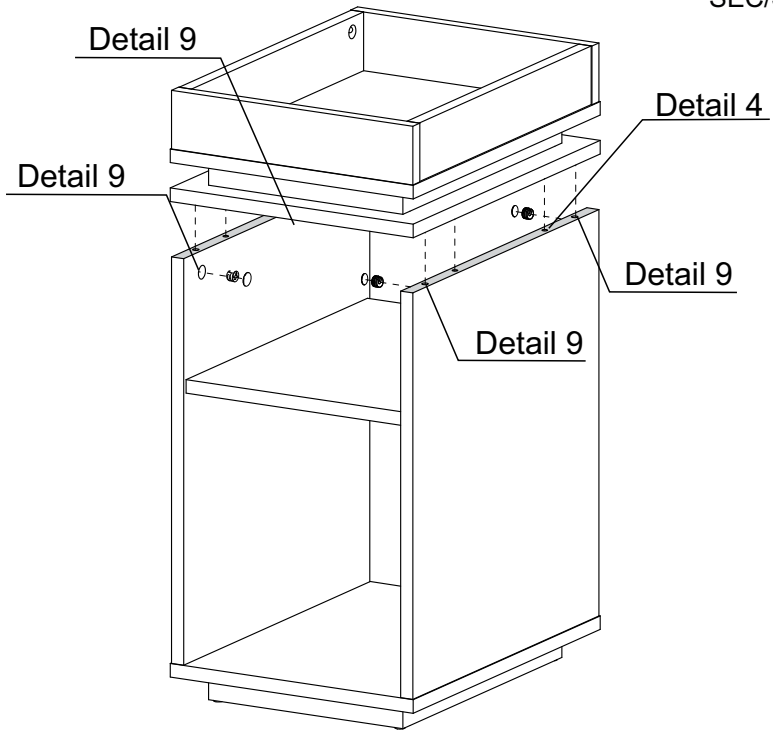
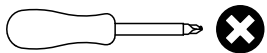
PARTS REQUIRED



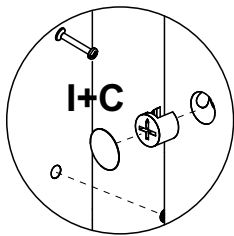
HARDWARE REQUIRED



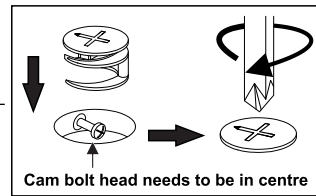
TOOLS REQUIRED



Detail 4



Detail 9



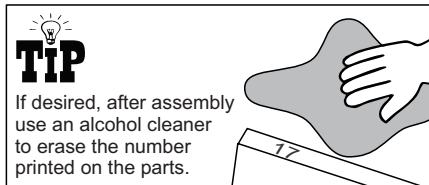
Cam bolt head needs to be in centre

STEP 14

PARTS REQUIRED

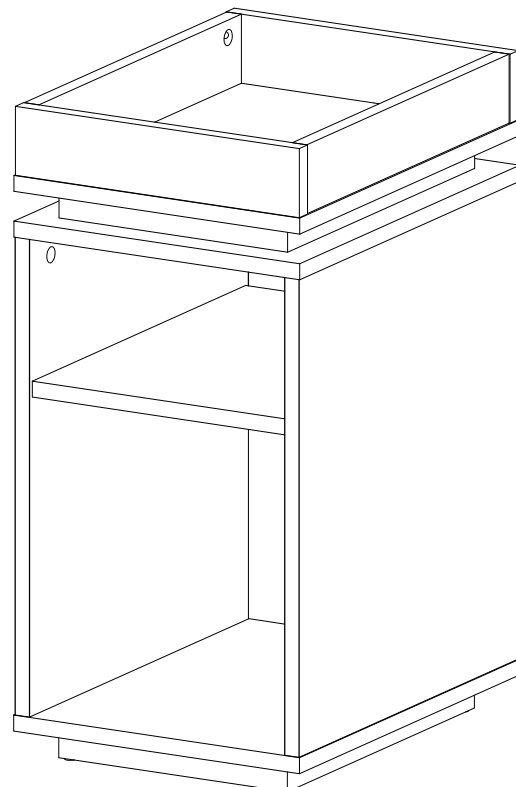
HARDWARE REQUIRED

TOOLS REQUIRED



TIP

If desired, after assembly use an alcohol cleaner to erase the number printed on the parts.



WARNING

Serious or fatal injuries can occur from furniture tipping over. To prevent the furniture from tipping over we recommend that it is permanently fixed to the wall.

Wall fixings are not supplied with this product as different wall materials require different types of fixing devices. Please make sure you use fixings suitable for the walls in your home.

