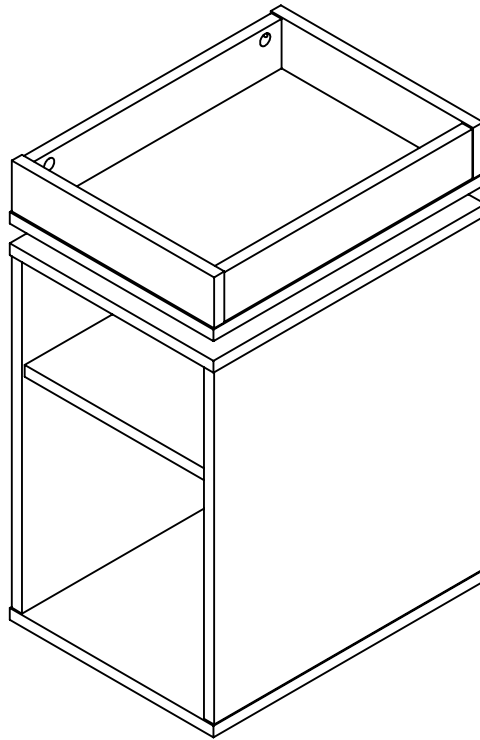


# BLACK/PINE EFFECT NAPLES STORAGE SIDE TABLE ASSEMBLY INSTRUCTIONS



## IMPORTANT FOR DOMESTIC USE ONLY

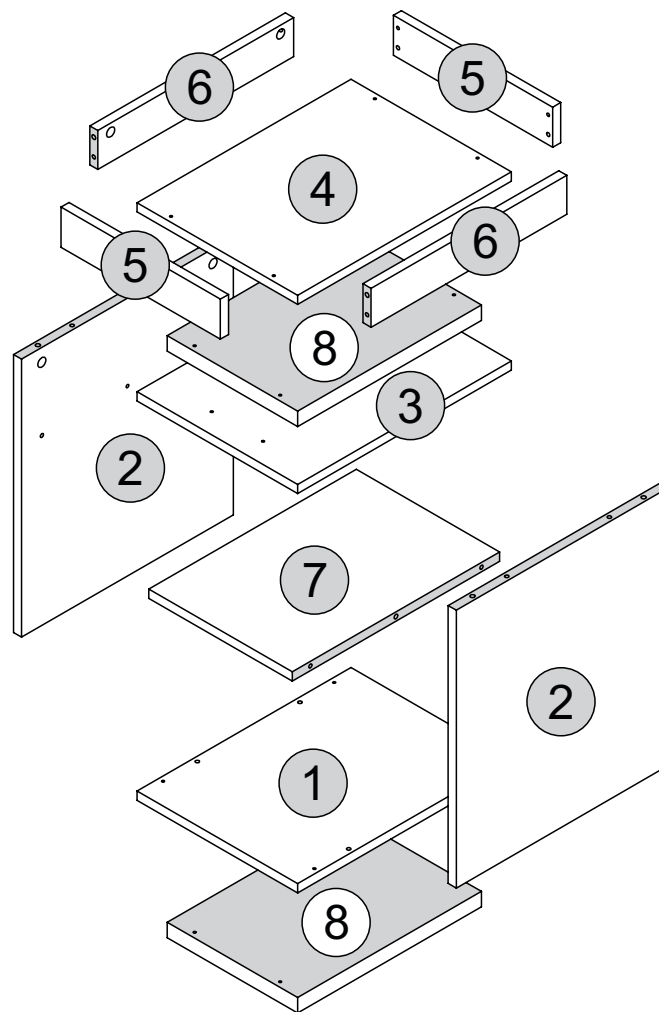
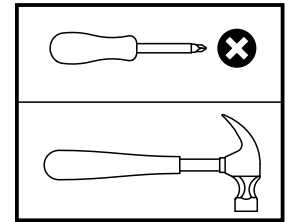
PLEASE READ BEFORE YOU CONTINUE FURTHER

## CARE AND MAINTENANCE

After unpacking this product please keep the original packaging in case it needs to be returned for any reason.

- Please ensure all fittings and parts are present before commencing with assembly.
- Never drag or push products as this could cause damage to the joints making it inferior.
- We strongly recommend that you keep children away from your work area.
- We recommend that you lay a blanket or sheet on the floor to avoid damage to both your floor and the product.
- Assemble this product as close to its final position as possible.
- Do not place this product next to a radiator or in direct sunlight.
- Do not drag or push items across your high gloss furniture as this may cause the surface to scratch
- Wood is a natural product and may expand if subjected to damp and may shrink or crack if subjected to heat. Therefore it is recommended that room temperature is maintained, with no sudden temperature fluctuations.
- Make sure any spillage is wiped off immediately.
- Do not place hot or chilled items directly on to the surface, use a place mat or marking will occur.
- For general cleaning use a soft cotton or micro fibre cloth, and do not use detergents of any kind.
- From time to time it may be necessary to tighten fittings, regular inspections should be carried out.
- Do not place on a wet or damp floor as staining may occur to your floor.

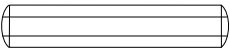

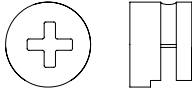

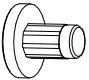
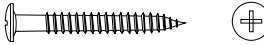
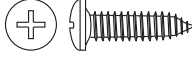
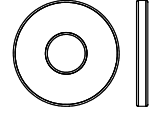



## TOOLS REQUIRED

**PARTS LIST*****Please Note:***

The below parts have all been stamped with the part number to help identify them during assembly.

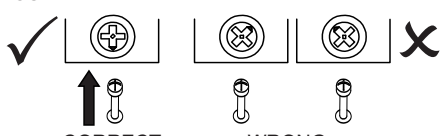
<b>Part Number</b>	<b>Part Code</b>	<b>Part Description</b>	<b>Quantity</b>	<b>Carton</b>
1	S300-302-045-AY1-01	Base Panel	1	1/1
2	S300-302-045-AY1-02	Side Panel	2	1/1
3	S300-302-045-AY1-03	Top Panel	1	1/1
4	S300-302-045-AY1-04	Tray Base	1	1/1
5	S300-302-045-AY1-05	Tray Front/Back Frame	2	1/1
6	S300-302-045-AY1-06	Tray Side Frame	2	1/1
7	S300-302-045-AY1-07	Shelf	1	1/1
8	S300-302-045-AY1-08	Middle Top/Base	2	1/1

## FITTINGS LIST

<p><b>A</b></p>  <p>2/+ Dowel Ø6,0 x 30mm (16x)</p>	<p><b>B</b></p>  <p>2/+ Cam Bolt (10x)</p>	<p><b>C</b></p>  <p>2/+ Cam Nut (10x)</p>	<p><b>D</b></p>  <p>2/+ Pan Head Screw Ø3,5 x 40mm (4x)</p>
<p><b>E</b></p>  <p>Plastic Foot 5X10mm (4x)</p>	<p><b>F</b></p>  <p>2/+ Pan Head Screw Ø3,5 x 30mm (16x)</p>	<p><b>G</b></p>  <p>1/+ Flat Head Screw Ø4 x 14mm (1x)</p>	<p><b>H</b></p>  <p>Washer (2x)</p>
<p><b>I</b></p>  <p>2/+ Hole Plugs (8x)</p>	<p><b>J</b></p>  <p>Glue (1x)</p>	<p><b>K</b></p>  <p>Strap (1x)</p>	

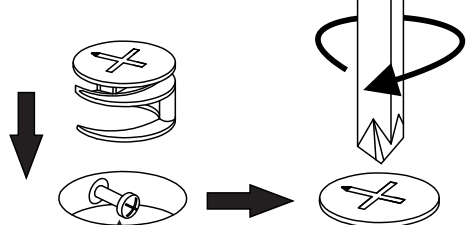
## TIPS FOR FITTINGS CAM-LOCKS

WHEN FITTING CAM NUT. ENSURE STARTING POSITION IS CORRECT BEFORE YOU INSERT CONNECTING CAM BOLT TURN CLOCKWISE UNTIL SECURE



↑
↑
↑
↑

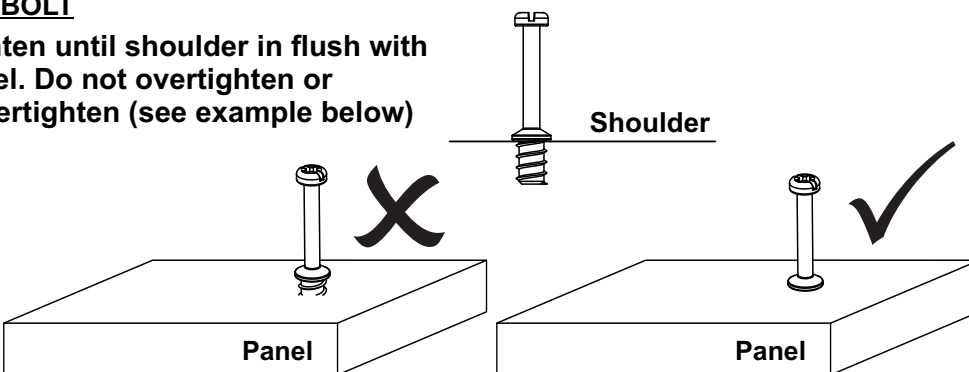
CORRECT
WRONG



Cam bolt head needs to be in centre

### **CAMBOLT**

**Tighten until shoulder in flush with panel. Do not overtighten or undertighten (see example below)**




Shoulder

# STEP 1

## PARTS REQUIRED

2 - SIDE PANEL x2

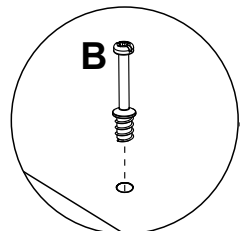
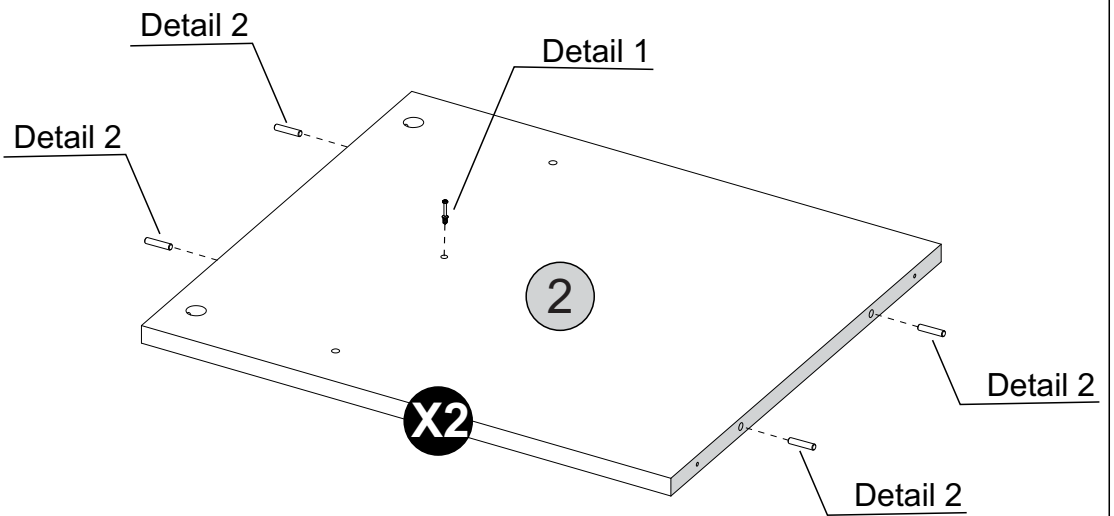
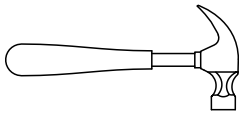
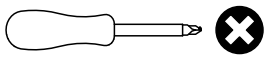
## HARDWARE REQUIRED

A  08

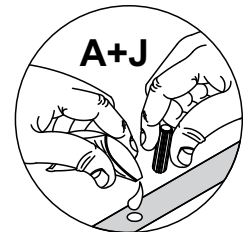
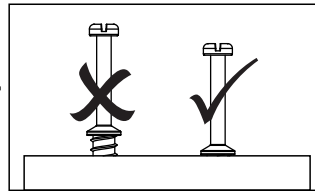
B  02

J  GLUE 01

## TOOLS REQUIRED



Detail 1



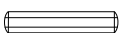
Detail 2

# STEP 2

## PARTS REQUIRED

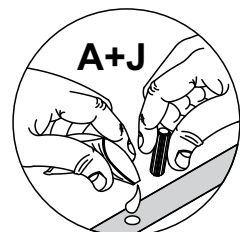
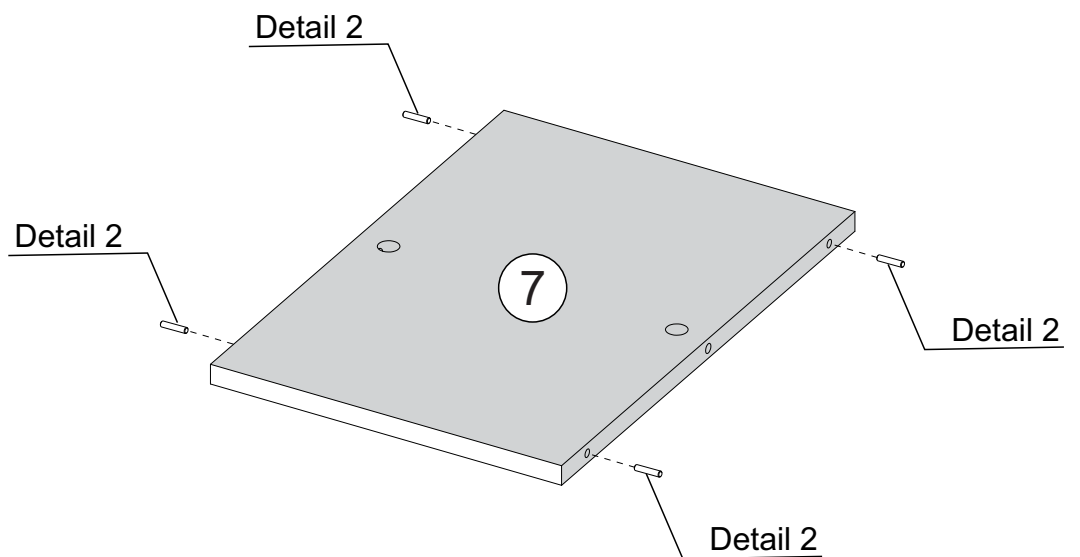
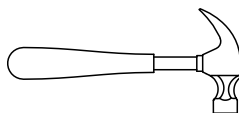
7 - SHELF x1

## HARDWARE REQUIRED

A  04

J  GLUE 01

## TOOLS REQUIRED




Detail 2

# STEP 3

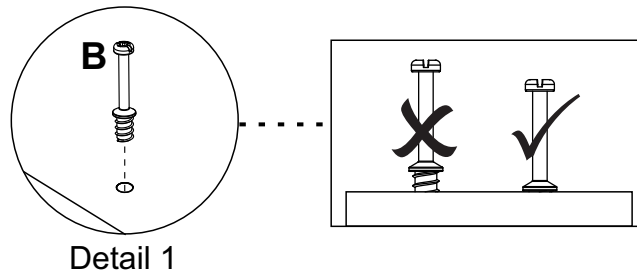
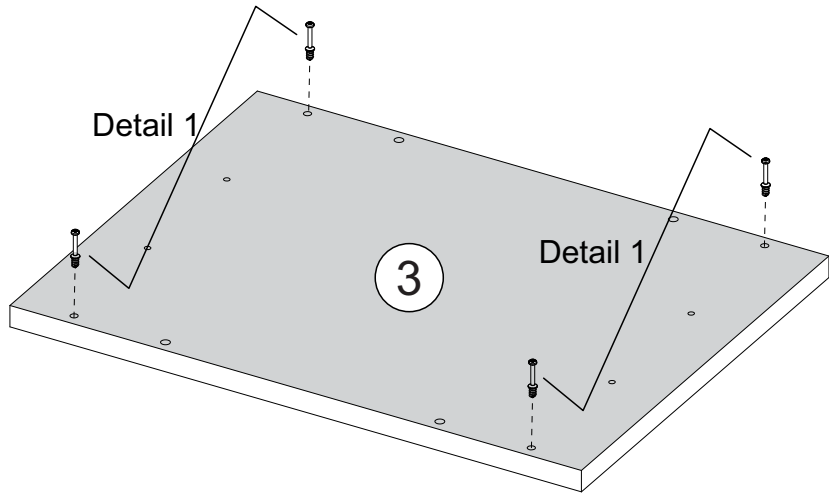
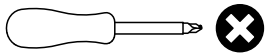
PARTS REQUIRED

3 - TOP PANEL x1

HARDWARE REQUIRED

B  04

TOOLS REQUIRED




# STEP 4

PARTS REQUIRED

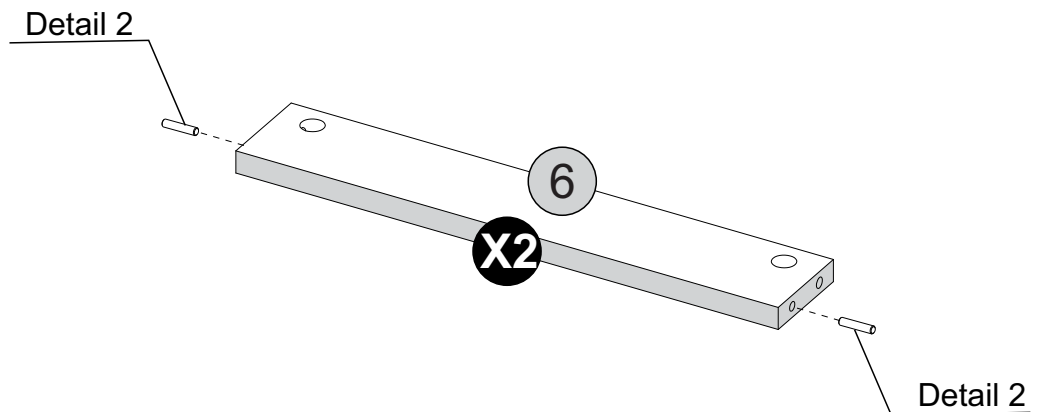
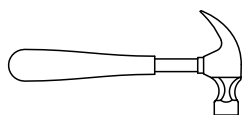
6 - TRAY SIDE FRAME x2

HARDWARE REQUIRED

A  04

J  01

TOOLS REQUIRED




# STEP 5

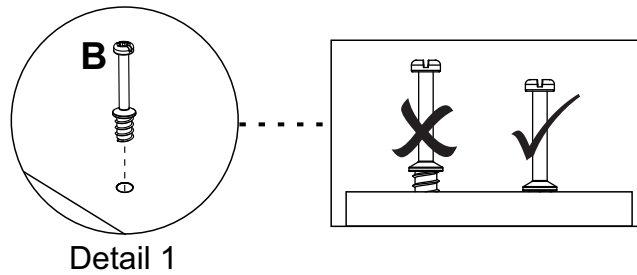
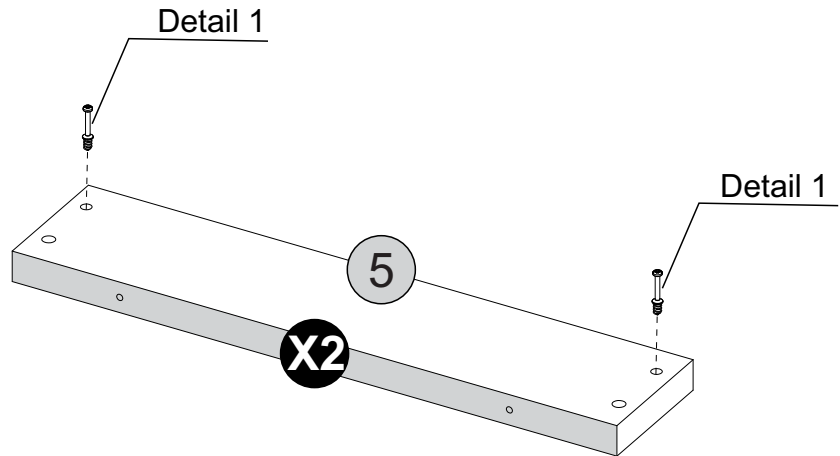
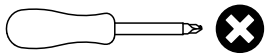
## PARTS REQUIRED

5- TRAY FRONT/BACK FRAME x2

## HARDWARE REQUIRED

B  04

## TOOLS REQUIRED




# STEP 6

## PARTS REQUIRED

2 - SIDE PANEL x2

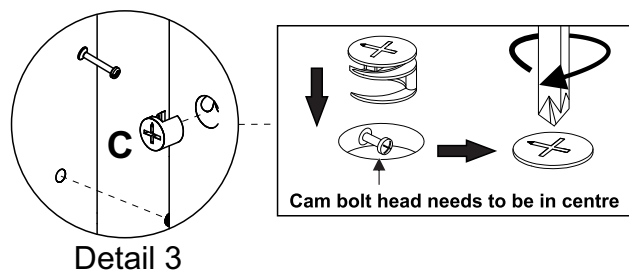
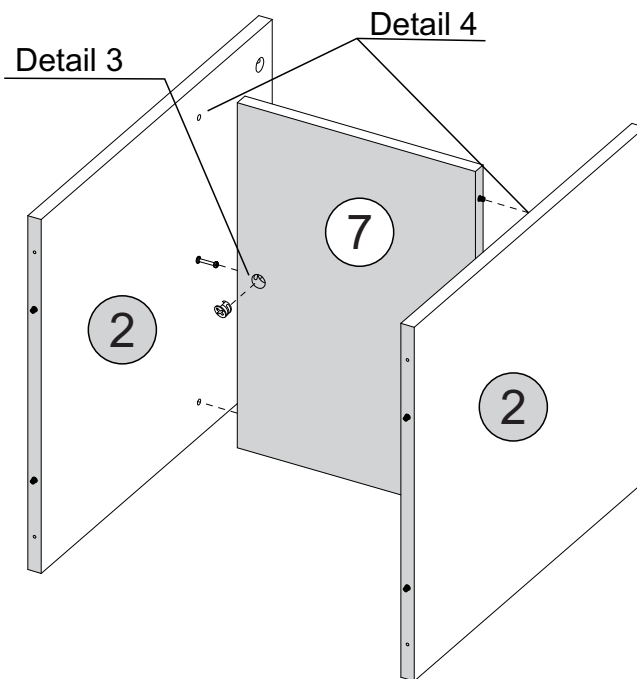
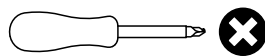
7 - SHELF x1

## HARDWARE REQUIRED

C  02

J  01

## TOOLS REQUIRED




# STEP 7

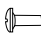
## PARTS REQUIRED

1 - BASE PANEL x1

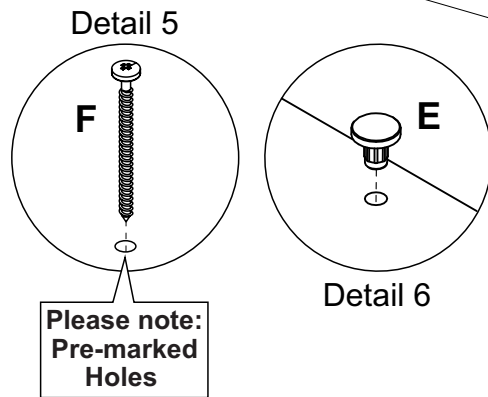
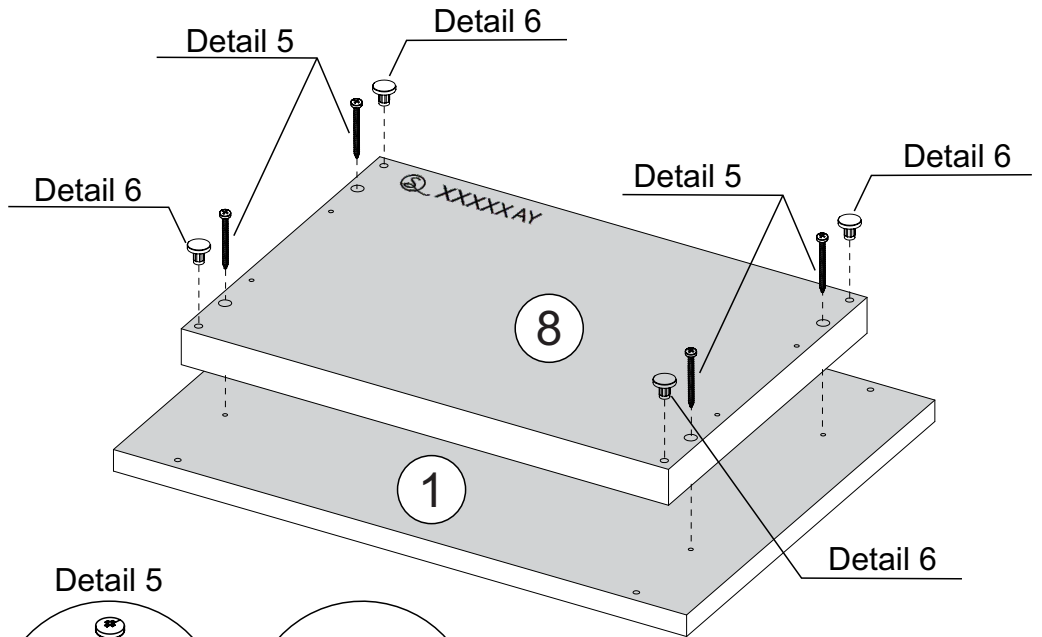
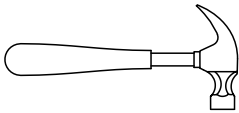
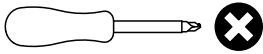
8 - MIDDLE TOP/BASE x1

## HARDWARE REQUIRED

E  04

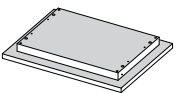
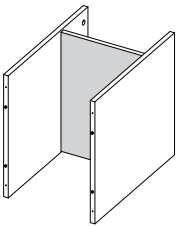
F  04

## TOOLS REQUIRED




# STEP 8

## PARTS REQUIRED

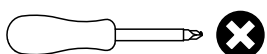


## HARDWARE REQUIRED

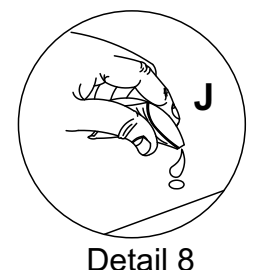
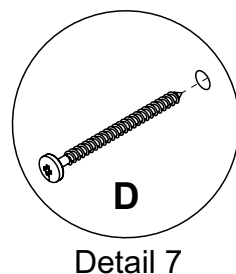
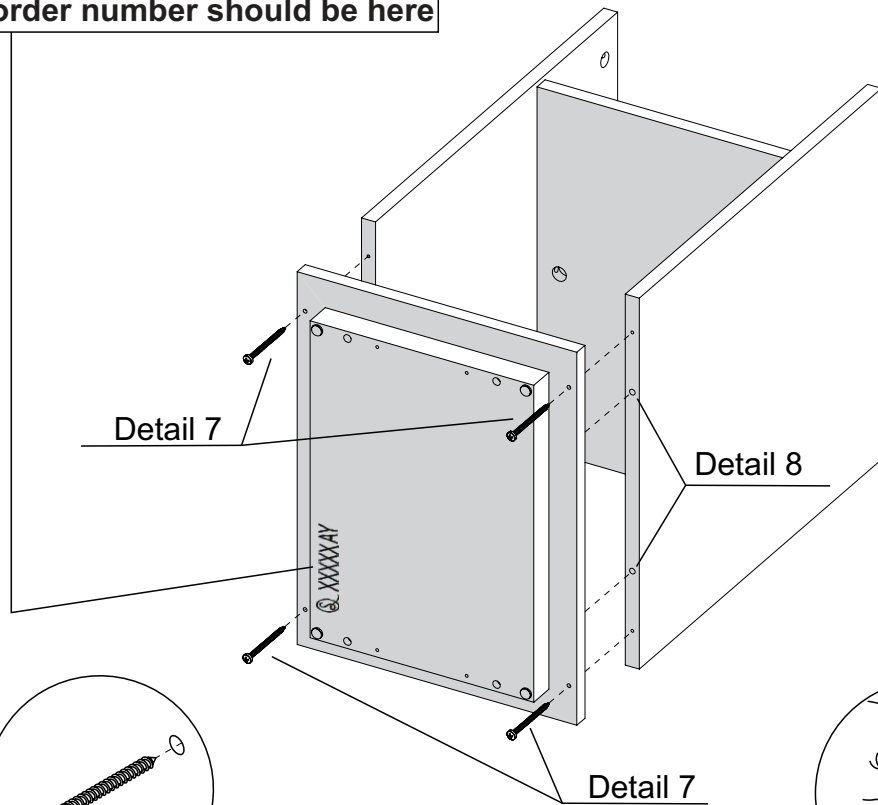
D  04

J  01

## TOOLS REQUIRED



For your future reference order number should be here



# STEP 9

## PARTS REQUIRED

5 - TRAY FRONT/BACK FRAME x2

6 - TRAY SIDE FRAME x2

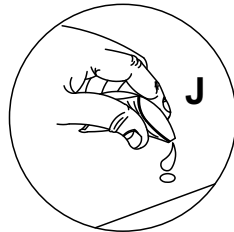
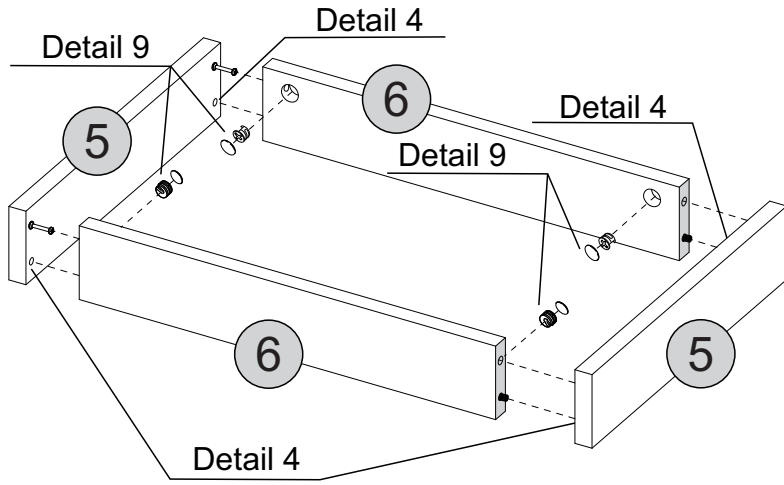
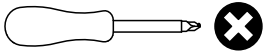
## HARDWARE REQUIRED

C  04

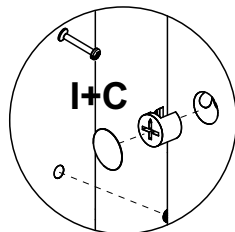
I  04

J  01

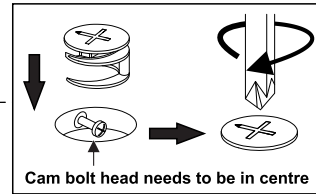
## TOOLS REQUIRED



Detail 4



Detail 9



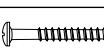
# STEP 10

## PARTS REQUIRED

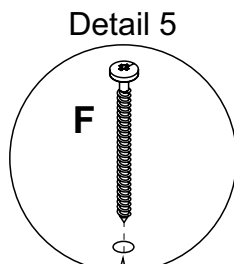
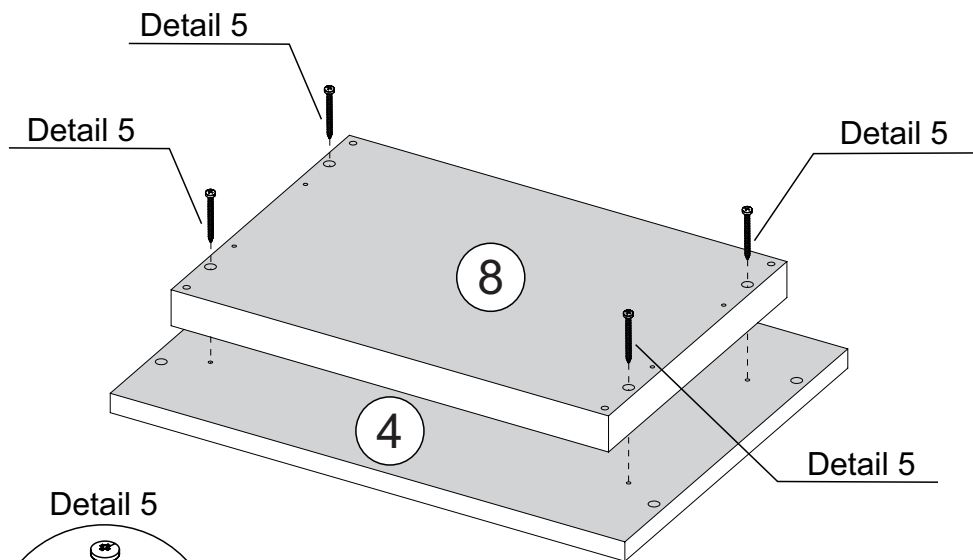
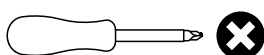
4 - TRAY BASE x1

8 - MIDDLE TOP/BASE x1

## HARDWARE REQUIRED

F  04

## TOOLS REQUIRED



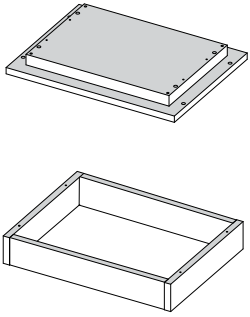
Detail 5

**Please note:  
Pre-marked  
Holes**

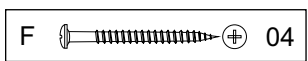


# STEP 11

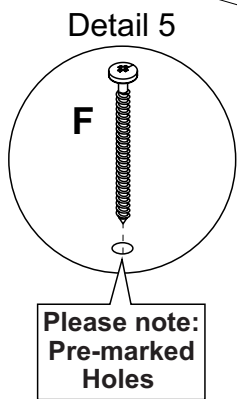
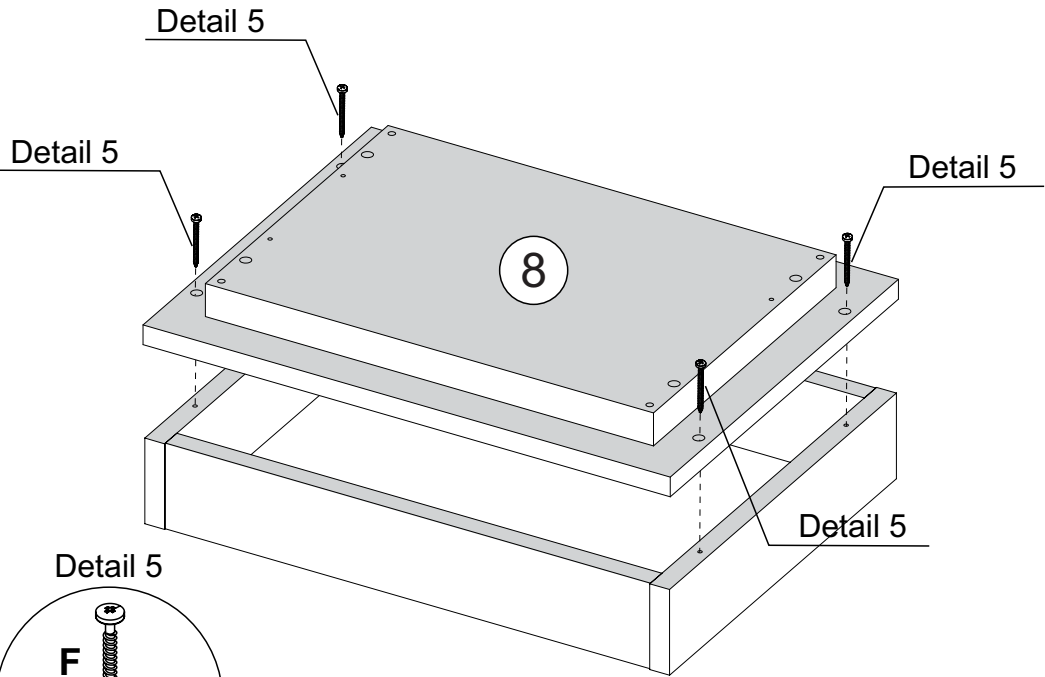
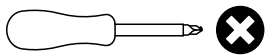
**PARTS REQUIRED**



**HARDWARE REQUIRED**



**TOOLS REQUIRED**

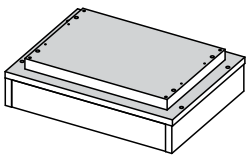


Please note:  
Pre-marked  
Holes

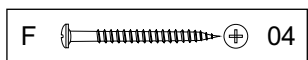
# STEP 12

**PARTS REQUIRED**

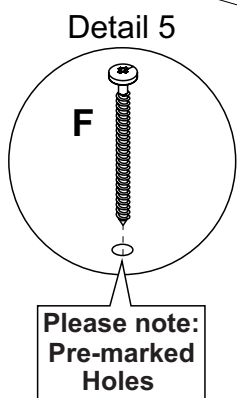
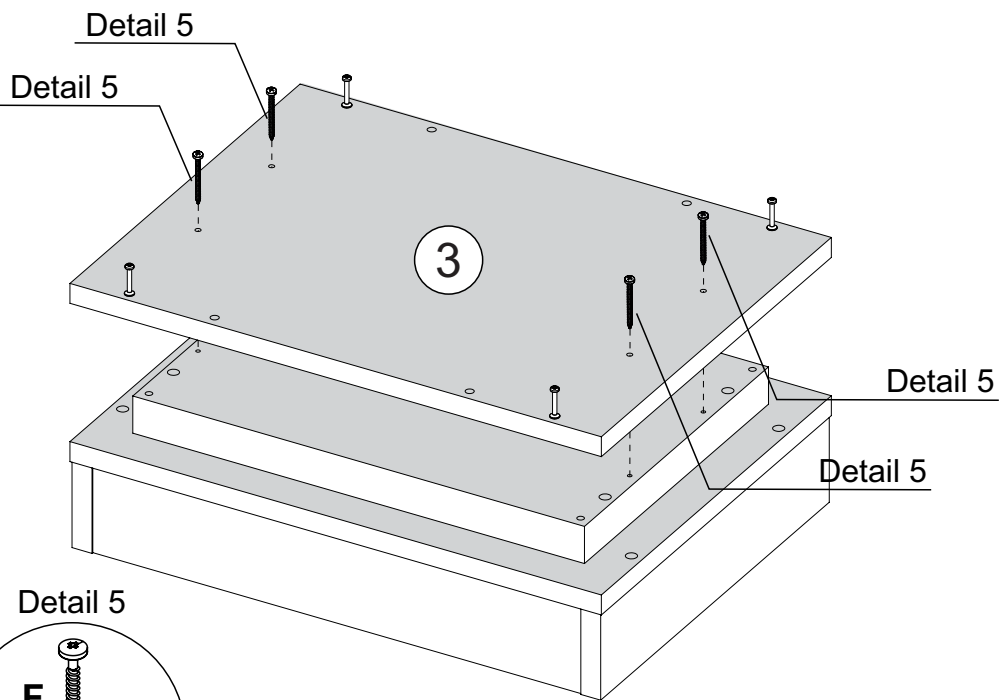
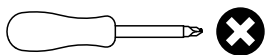
3 - TOP PANEL x1



**HARDWARE REQUIRED**



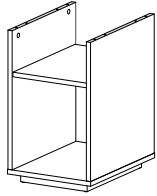
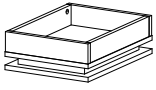
**TOOLS REQUIRED**



Please note:  
Pre-marked  
Holes

# STEP 13

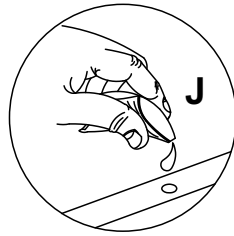
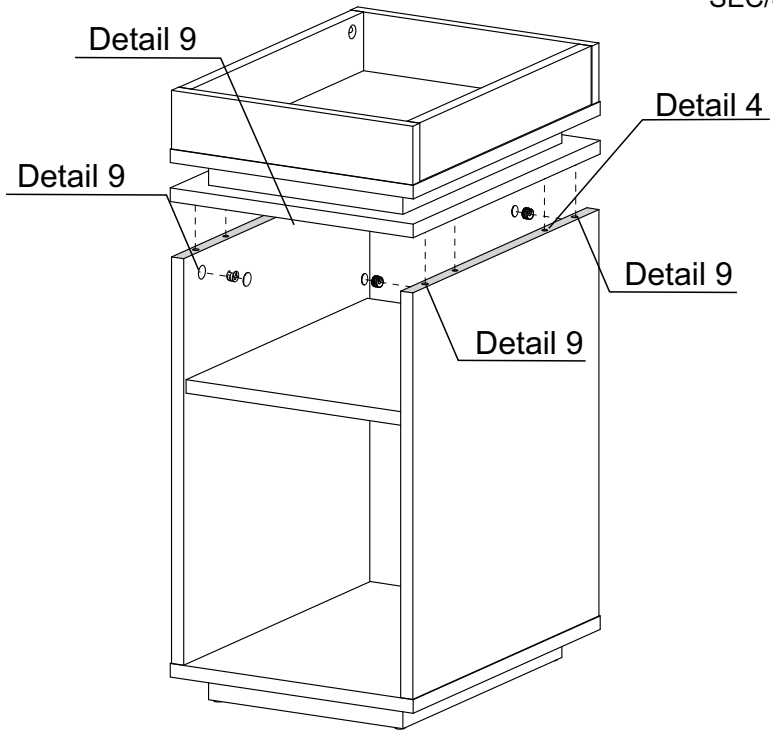
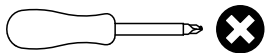
**PARTS REQUIRED**



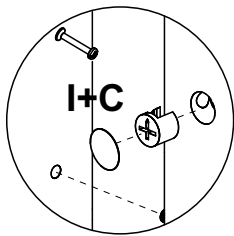
**HARDWARE REQUIRED**



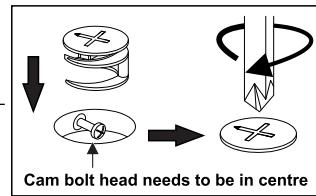
**TOOLS REQUIRED**



Detail 4



Detail 9



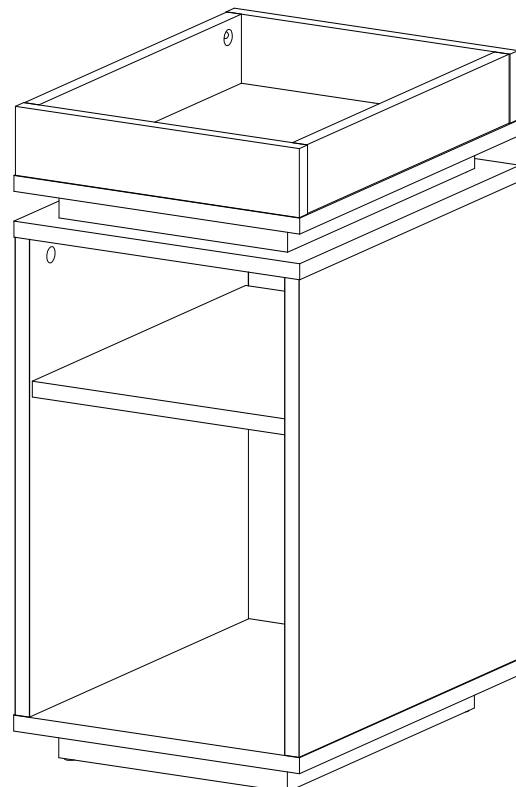
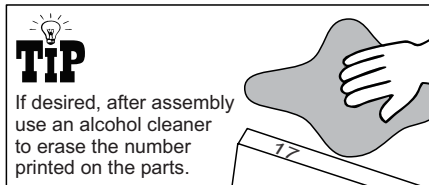
Cam bolt head needs to be in centre

# STEP 14

**PARTS REQUIRED**

**HARDWARE REQUIRED**

**TOOLS REQUIRED**



# WARNING

**Serious or fatal injuries can occur from furniture tipping over. To prevent the furniture from tipping over we recommend that it is permanently fixed to the wall.**

Wall fixings are not supplied with this product as different wall materials require different types of fixing devices. Please make sure you use fixings suitable for the walls in your home.

