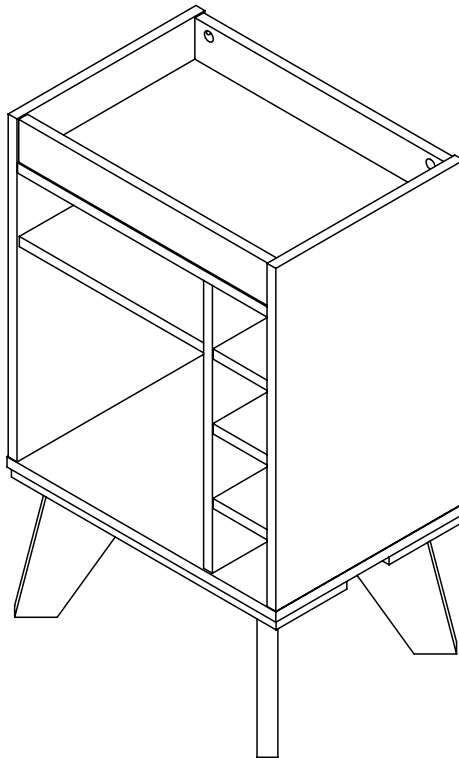


# WHITE NAPLES MINI BAR/SIDE TABLE ASSEMBLY INSTRUCTIONS



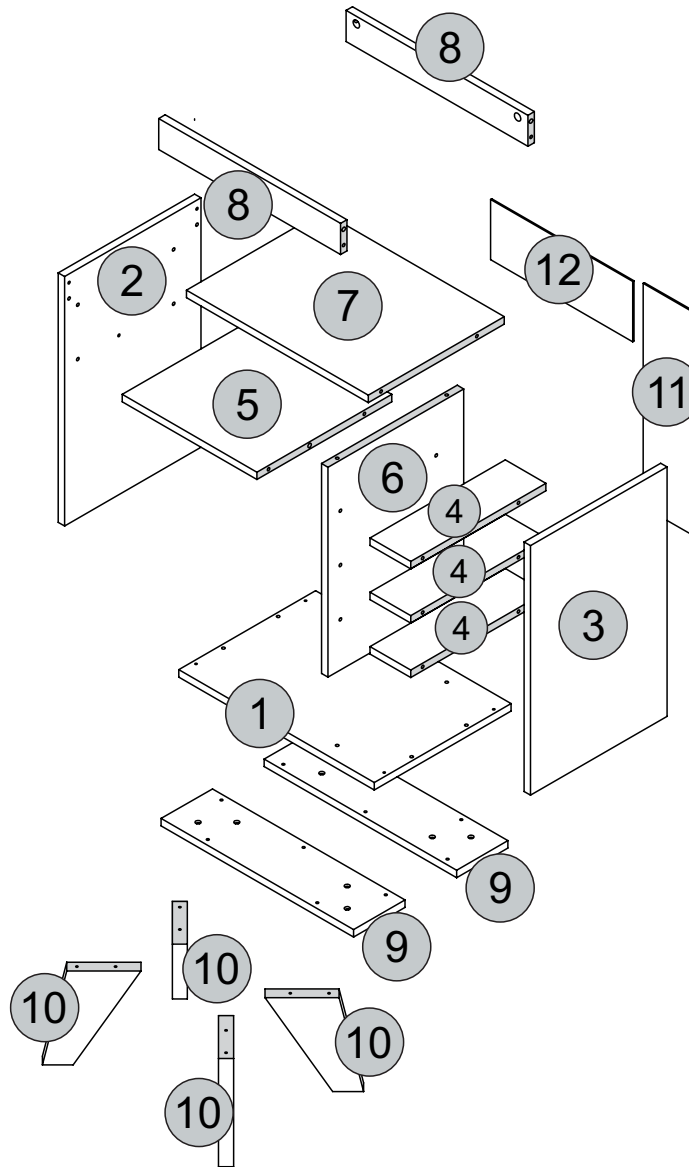
## IMPORTANT FOR DOMESTIC USE ONLY

PLEASE READ BEFORE YOU CONTINUE FURTHER

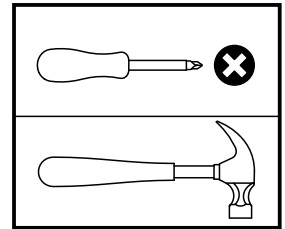
## CARE AND MAINTENANCE

After unpacking this product please keep the original packaging in case it needs to be returned for any reason.

- Please ensure all fittings and parts are present before commencing with assembly.
- Never drag or push products as this could cause damage to the joints making it inferior.
- We strongly recommend that you keep children away from your work area.
- We recommend that you lay a blanket or sheet on the floor to avoid damage to both your floor and the product.
- Assemble this product as close to its final position as possible.
- Do not place this product next to a radiator or in direct sunlight.
- Do not drag or push items across your high gloss furniture as this may cause the surface to scratch
- Wood is a natural product and may expand if subjected to damp and may shrink or crack if subjected to heat. Therefore it is recommended that room temperature is maintained, with no sudden temperature fluctuations.
- Make sure any spillage is wiped off immediately.
- Do not place hot or chilled items directly on to the surface, use a place mat or marking will occur.
- For general cleaning use a soft cotton or micro fibre cloth, and do not use detergents of any kind.
- From time to time it may be necessary to tighten fittings, regular inspections should be carried out.
- Do not place on a wet or damp floor as staining may occur to your floor.



**TOOLS REQUIRED**

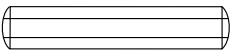
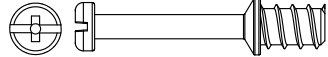
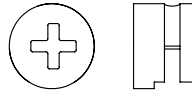
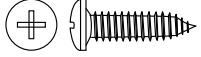
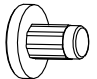
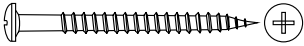
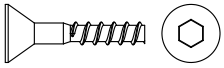
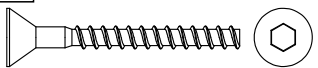
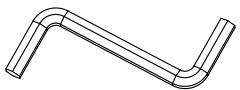
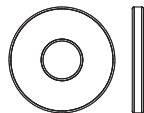






**PARTS LIST**

**Please Note:**  
The below parts have all been stamped with the part number to help identify them during assembly.

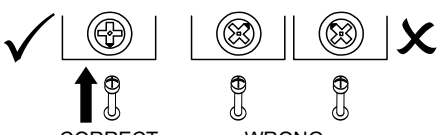
Part Number	Part Code	Part Description	Quantity	Carton
1	S300-302-046-AY1-01	Base Panel	1	1/1
2	S300-302-046-AY1-02	Left Side Panel	1	1/1
3	S300-302-046-AY1-03	Right Side Panel	1	1/1
4	S300-302-046-AY1-04	Small Shelf	3	1/1
5	S300-302-046-AY1-05	Large Shelf	1	1/1
6	S300-302-046-AY1-06	Division Panel	1	1/1
7	S300-302-046-AY1-07	Top Panel	1	1/1
8	S300-302-046-AY1-08	Top Crossbeam	2	1/1
9	S300-302-046-AY1-09	Leg Support	2	1/1
10	S300-302-046-AY1-10	Leg	4	1/1
11	S300-302-046-AY1-11	Back Panel	1	1/1
12	S300-302-046-AY1-12	Small Back Panel	1	1/1

## FITTINGS LIST

<p><b>A</b></p>  <p>2/+ Dowel Ø6,0 x 30mm (32x)</p>	<p><b>B</b></p>  <p>1/+ Cam Bolt (6x)</p>	<p><b>C</b></p>  <p>1/+ Cam Nut (6x)</p>	<p><b>D</b></p>  <p>1/+ FlatHead Screw Ø4 x 14mm (1x)</p>
<p><b>E</b></p>  <p>1/+ Plastic Foot 5X10mm (4x)</p>	<p><b>F</b></p>  <p>1/+ PanHead Screw Ø3,5 x 40mm (4x)</p>	<p><b>G</b></p>  <p>2/+ FlatHead Screw Ø5,0 x 24mm (10x)</p>	<p><b>H</b></p>  <p>1/+ FlatHead Screw Ø5,0 x 40mm (8x)</p>
<p><b>I</b></p>  <p>Allen Key (1x)</p>	<p><b>J</b></p>  <p>1/+ Washer (2x)</p>	<p><b>K</b></p>  <p>Glue (2x)</p>	<p><b>L</b></p>  <p>1/+ Hole Plug (4x)</p>
<p><b>M</b></p>  <p>Strap (1x)</p>	<p><b>N</b></p>  <p>2/+ Nail Ø8x18mm (20x)</p>		

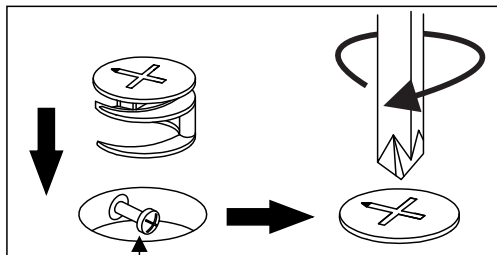
### TIPS FOR FITTINGS CAM-LOCKS

WHEN FITTING CAM NUT. ENSURE STARTING POSITION IS CORRECT BEFORE YOU INSERT CONNECTING CAM BOLT TURN CLOCKWISE UNTIL SECURE



↑
↑
↑

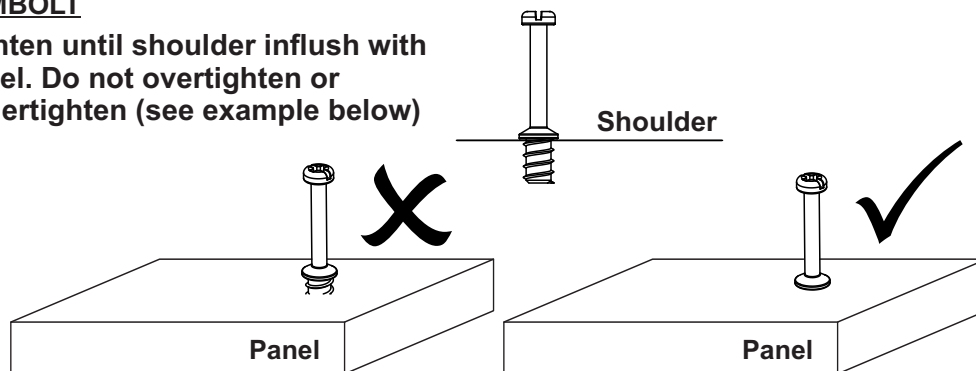
CORRECT
WRONG



Cam bolt head needs to be in centre

#### **CAMBOLT**

Tighten until shoulder in flush with panel. Do not overtighten or undertighten (see example below)





# STEP 1

## PARTS REQUIRED

2 - LEFT SIDE PANEL x1

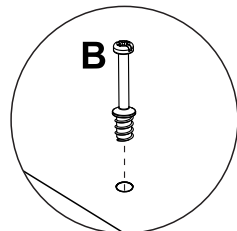
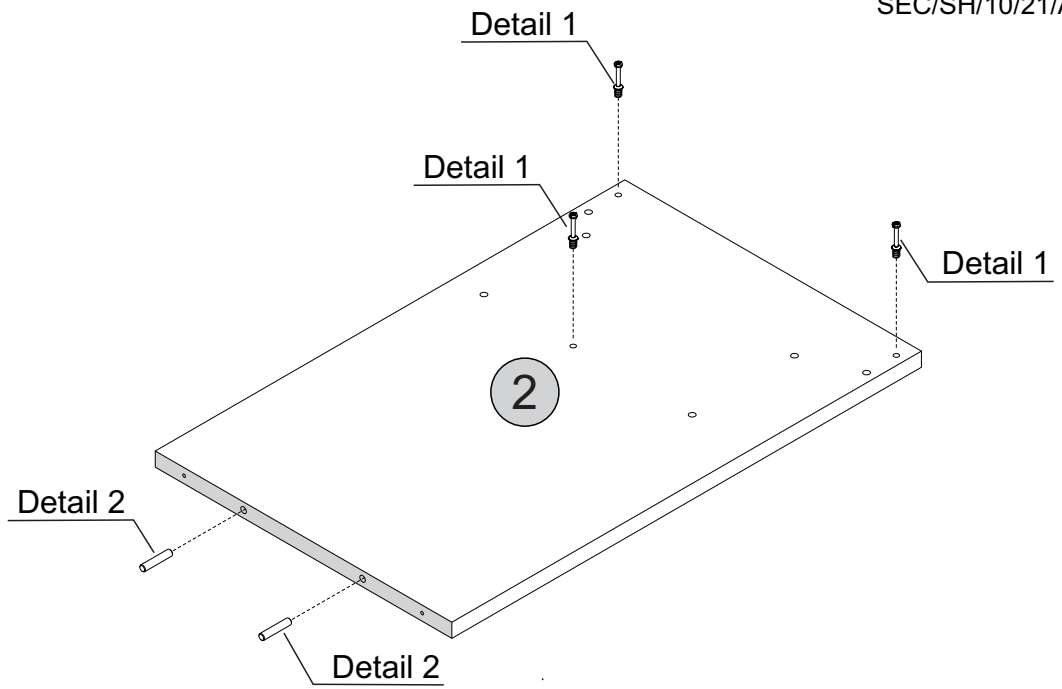
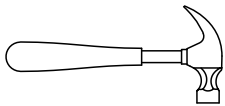
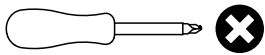
## HARDWARE REQUIRED

A  02

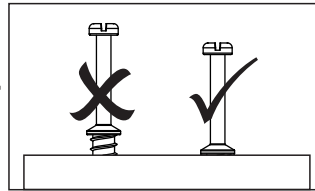
B  03

K  01

## TOOLS REQUIRED



Detail 1




Detail 2

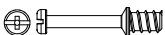
# STEP 2

## PARTS REQUIRED

3 - RIGHT SIDE PANEL x1

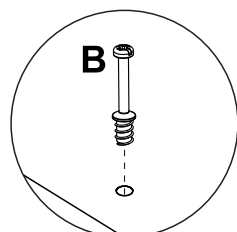
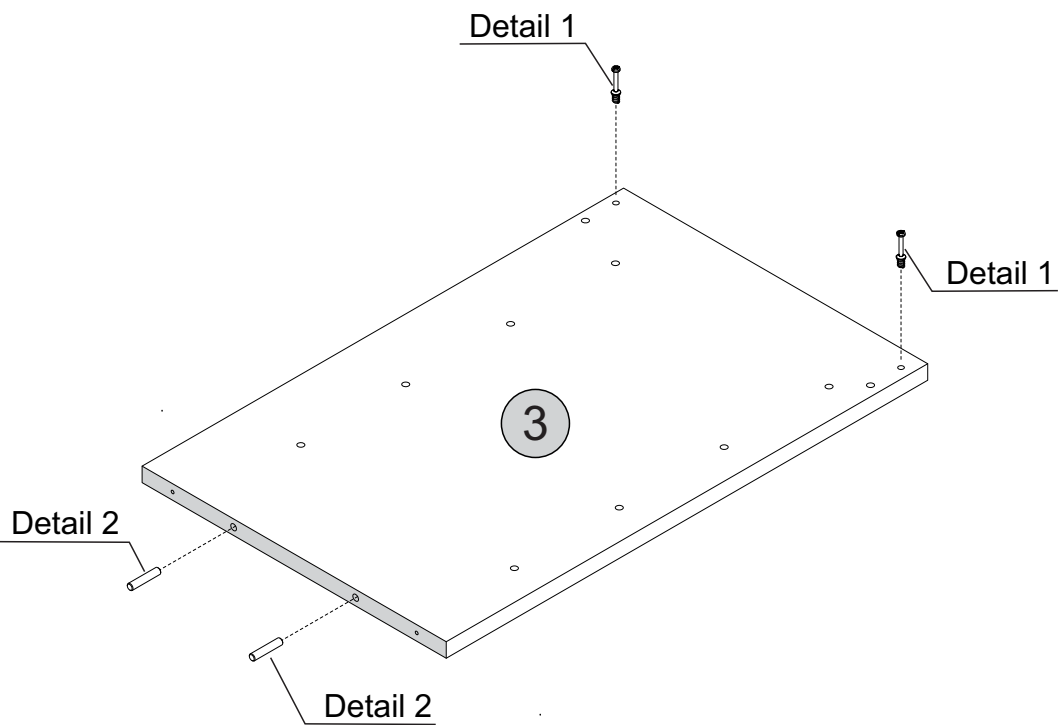
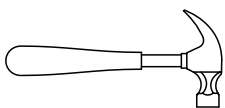
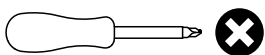
## HARDWARE REQUIRED

A  02

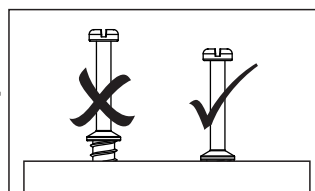
B  02

K  01

## TOOLS REQUIRED



Detail 1



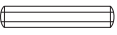
Detail 2

# STEP 3

## PARTS REQUIRED

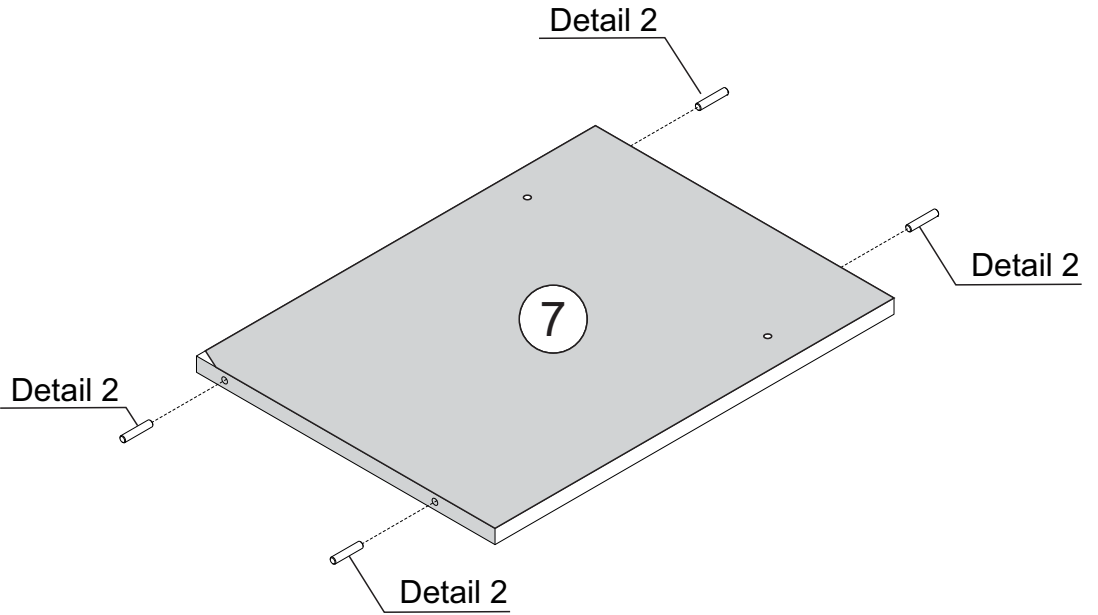
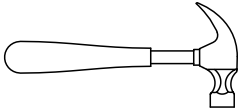
7 - TOP PANEL x1

## HARDWARE REQUIRED

A  04

K  01

## TOOLS REQUIRED



Detail 2

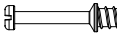
# STEP 4

## PARTS REQUIRED

6 - DIVISION PANEL x1

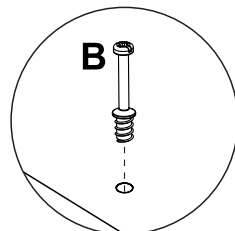
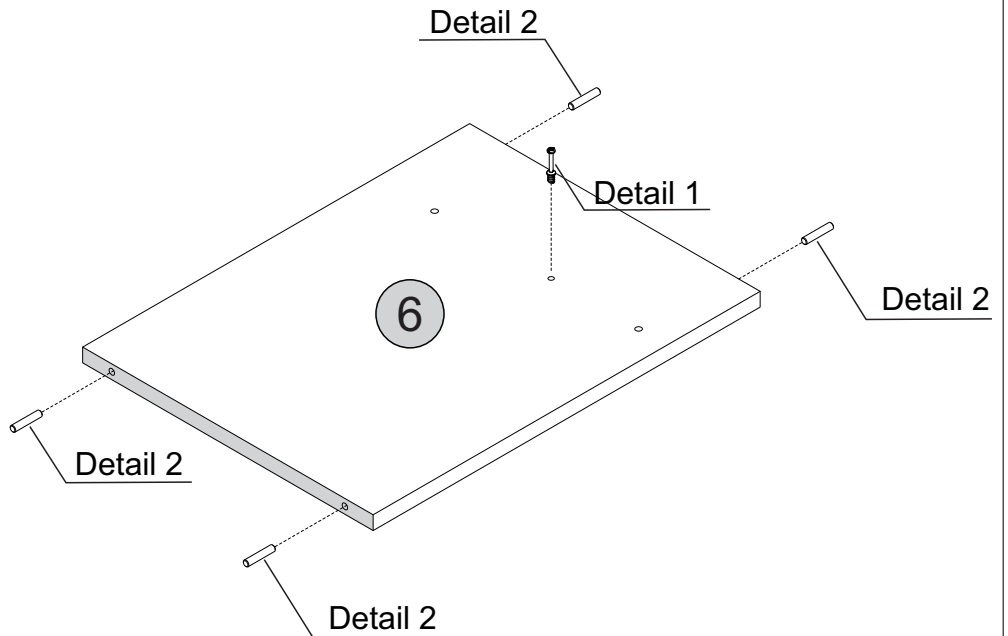
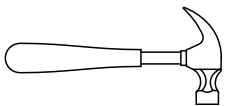
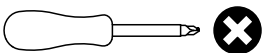
## HARDWARE REQUIRED

A  04

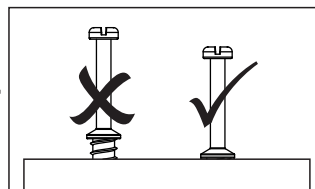
B  01

K  01

## TOOLS REQUIRED



Detail 1



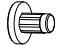
Detail 2

# STEP 5

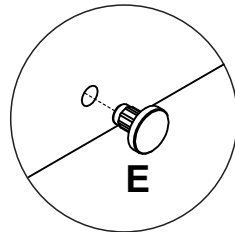
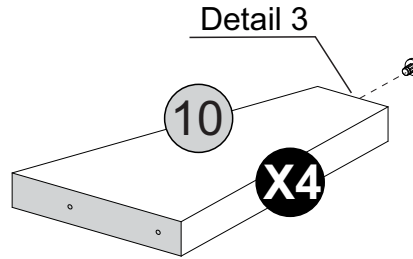
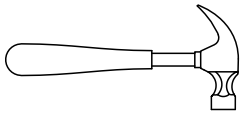
## PARTS REQUIRED

10 - LEG x4

## HARDWARE REQUIRED

E  04

## TOOLS REQUIRED



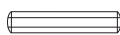
Detail 3

# STEP 6

## PARTS REQUIRED

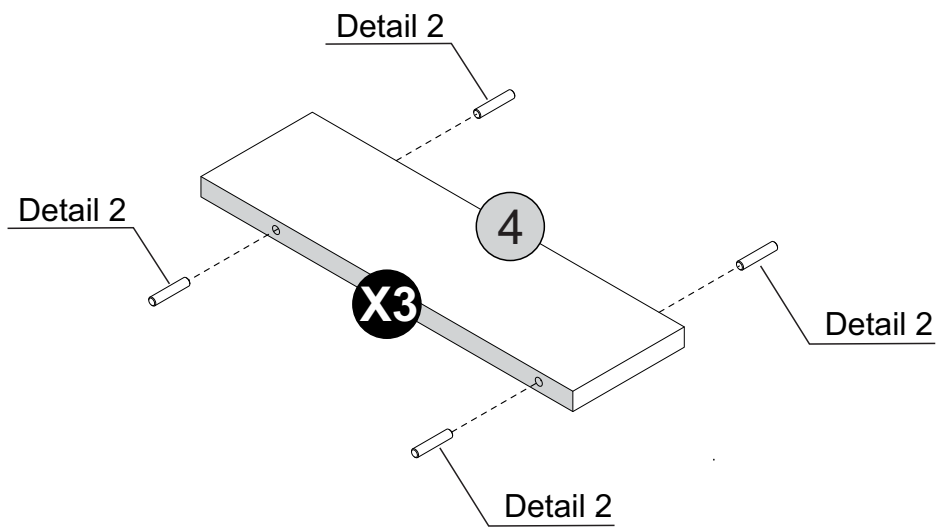
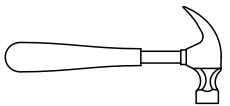
4 - SMALL SHELF x3

## HARDWARE REQUIRED

A  12

K  01

## TOOLS REQUIRED




Detail 2

# STEP 7

**PARTS REQUIRED**

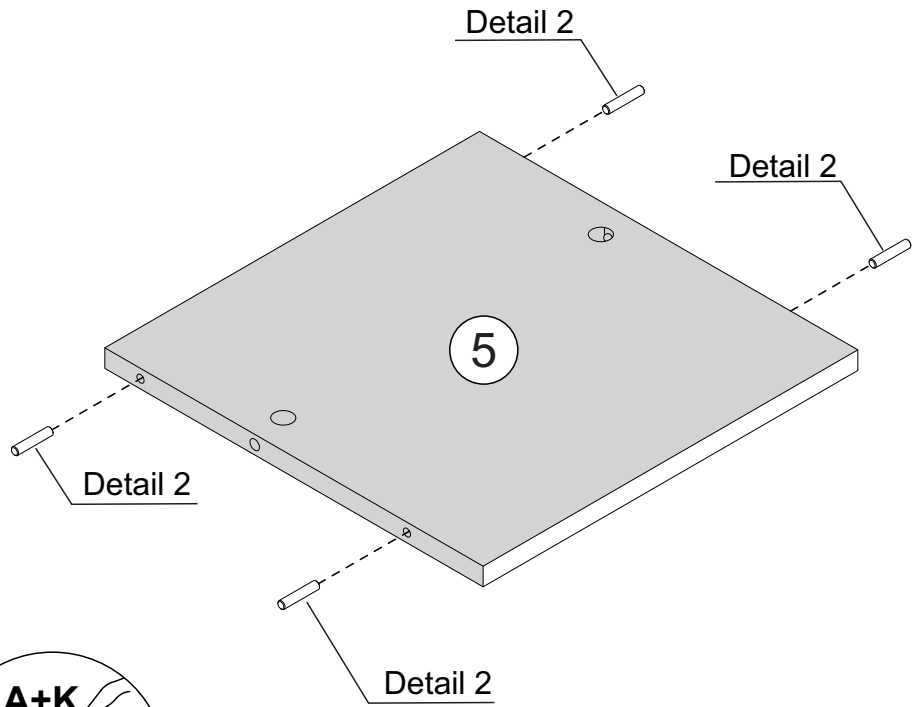
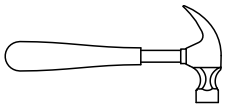
5 - LARGE SHELF x1

**HARDWARE REQUIRED**

A  04

K  01

**TOOLS REQUIRED**




Detail 2

# STEP 8

**PARTS REQUIRED**

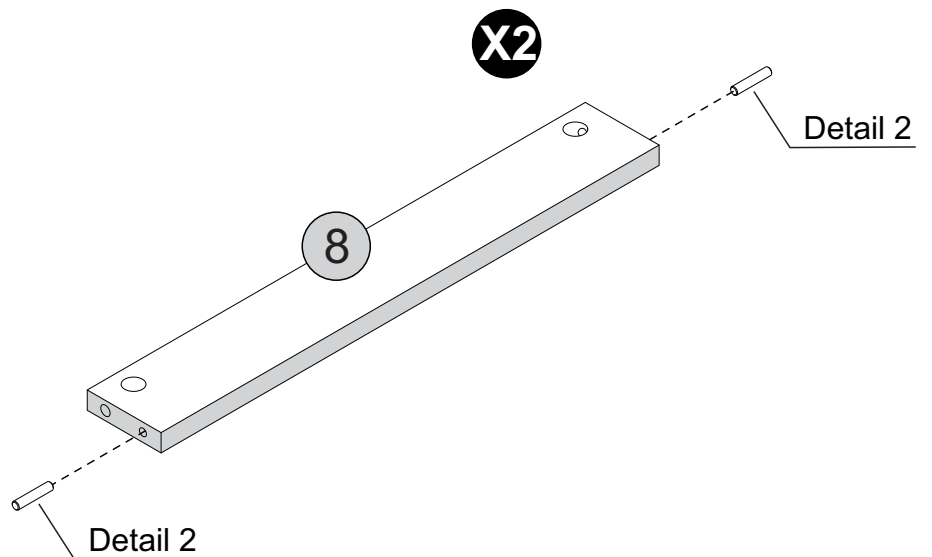
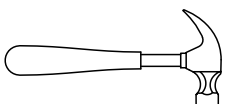
8 - TOP CROSSBEAM x2

**HARDWARE REQUIRED**

A  04

K  01

**TOOLS REQUIRED**



Detail 2

# STEP 9

**PARTS REQUIRED**

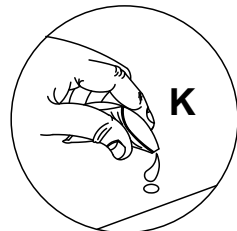
6 - DIVISION PANEL x1

7 - TOP PANEL x1

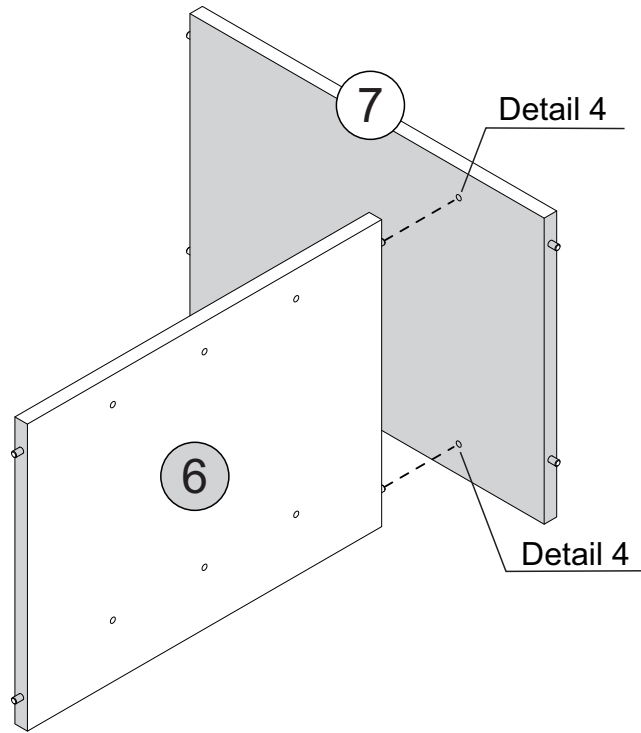
**HARDWARE REQUIRED**

K  01

**TOOLS REQUIRED**



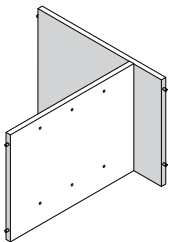
Detail 4



# STEP 10

**PARTS REQUIRED**

5 - LARGE SHELF x1

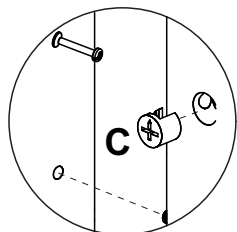
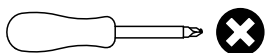


**HARDWARE REQUIRED**

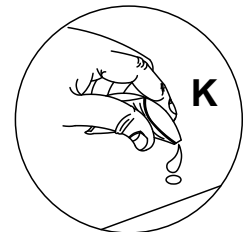
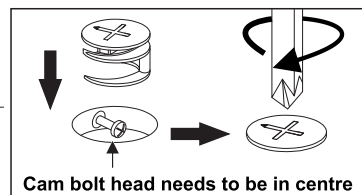
C  01

K  01

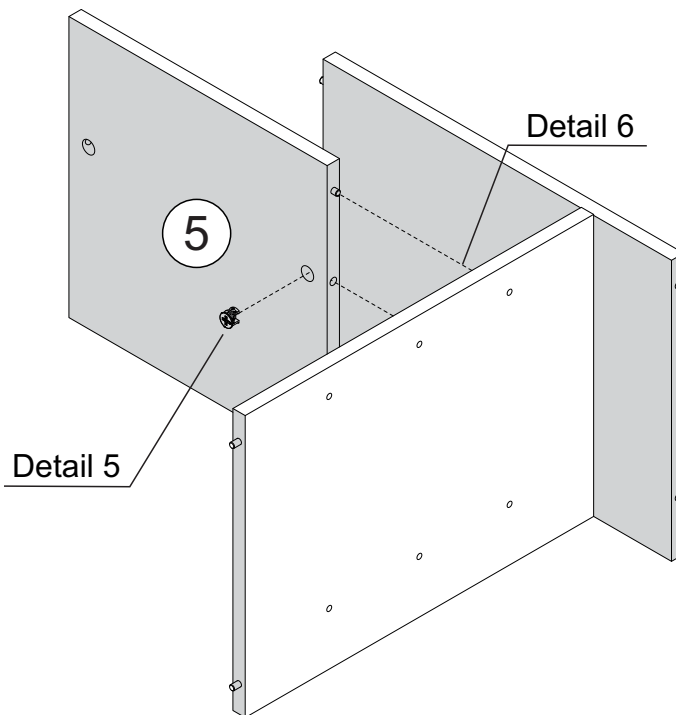
**TOOLS REQUIRED**



Detail 5



Detail 6

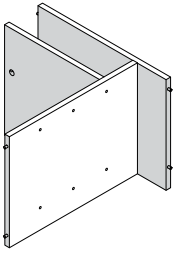




# STEP 11

## PARTS REQUIRED

2 - LEFT SIDE PANEL x1

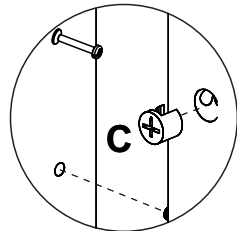
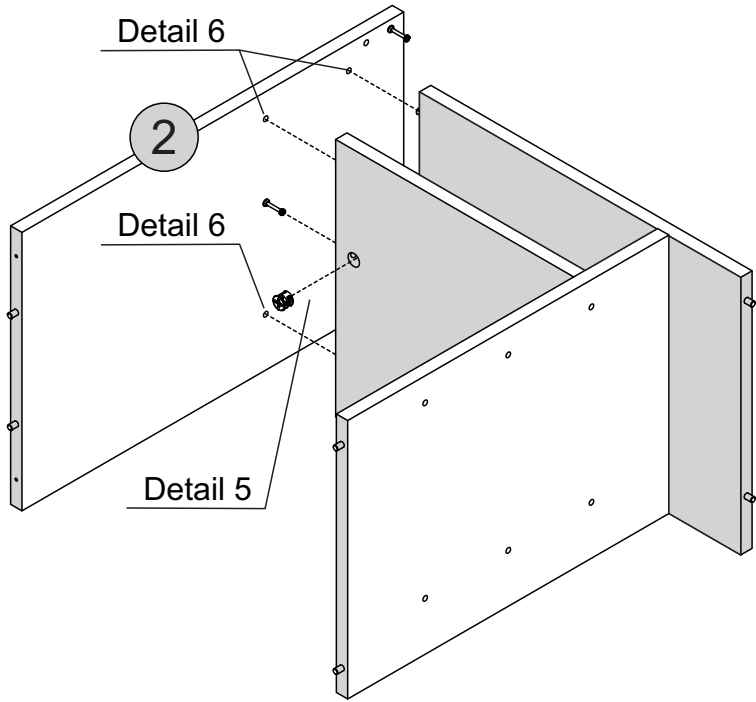
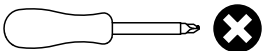


## HARDWARE REQUIRED

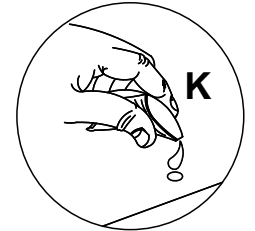
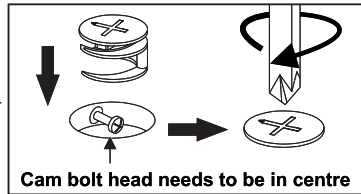
C  01

K  01

## TOOLS REQUIRED



Detail 5

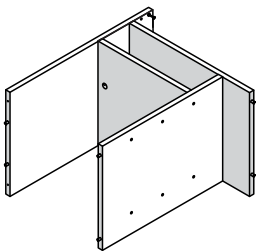


Detail 6

# STEP 12

## PARTS REQUIRED

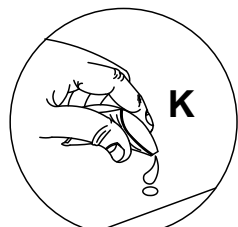
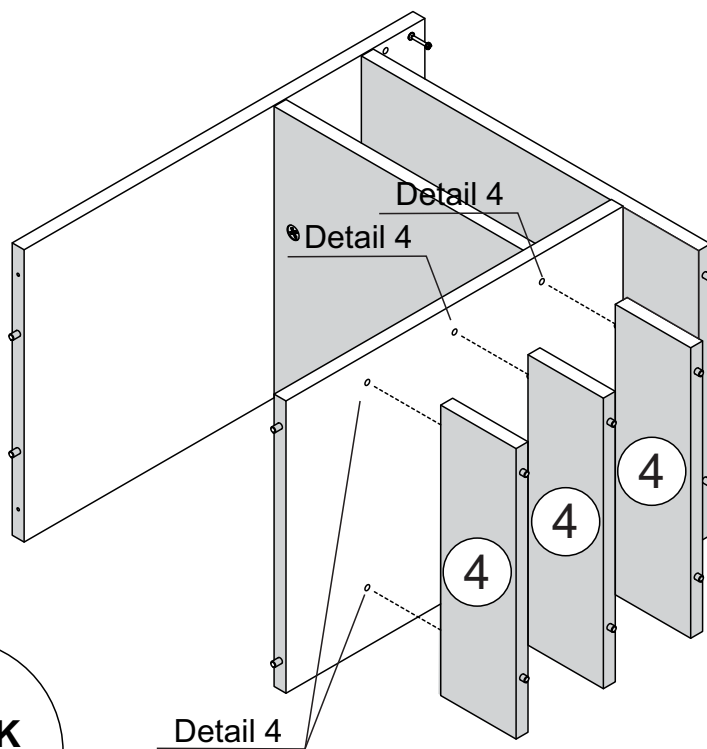
4 - SMALL SHELF x3



## HARDWARE REQUIRED

K  01

## TOOLS REQUIRED

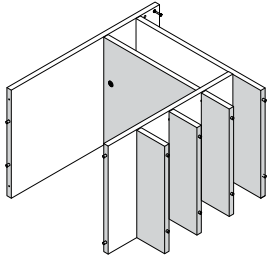


Detail 4


# STEP 13

## PARTS REQUIRED

8 - TOP CROSSBEAM x2



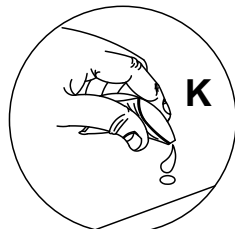
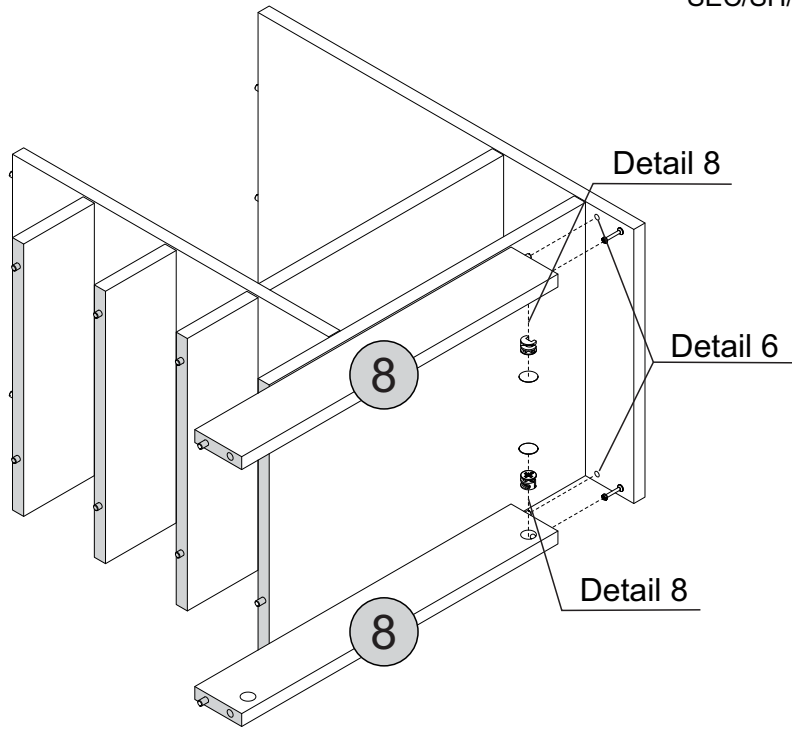
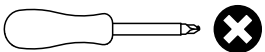
## HARDWARE REQUIRED

C  02

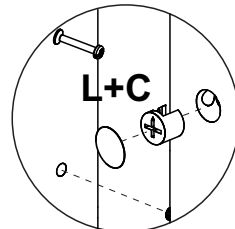
K  01

L  02

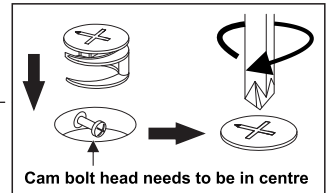
## TOOLS REQUIRED



Detail 6



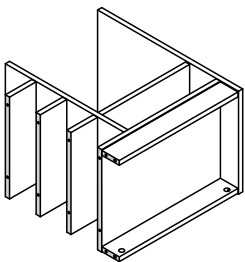
Detail 8



# STEP 14

## PARTS REQUIRED

3 - RIGHT SIDE PANEL x1



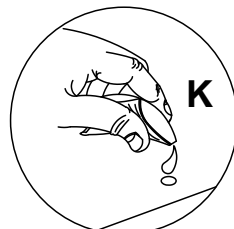
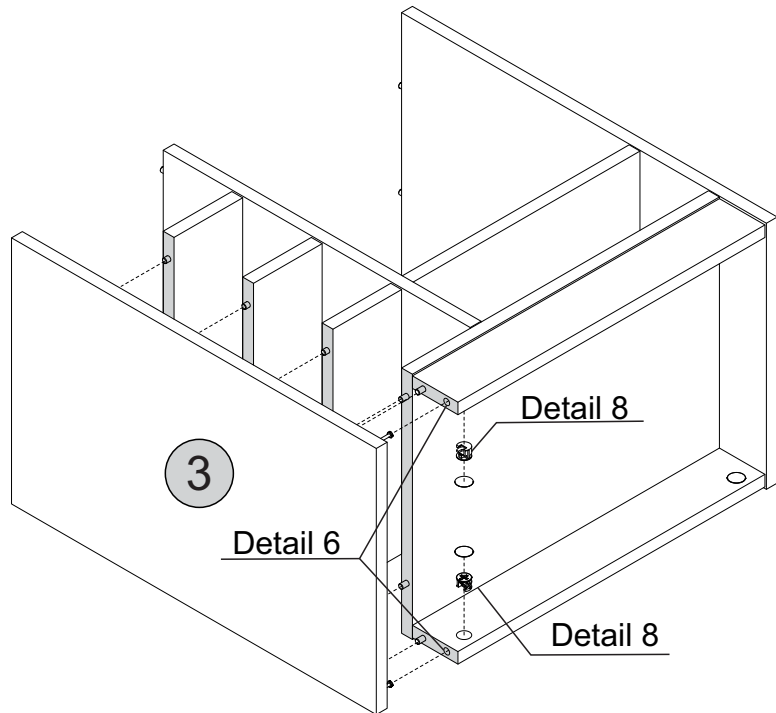
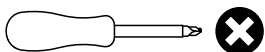
## HARDWARE REQUIRED

C  02

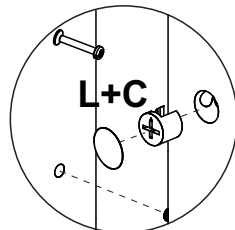
K  01

L  02

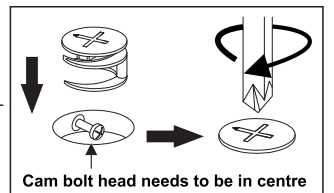
## TOOLS REQUIRED



Detail 6



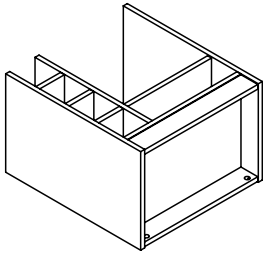
Detail 8




# STEP 15

## PARTS REQUIRED

1 - BASE PANEL x1

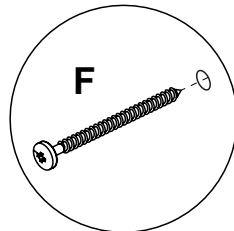
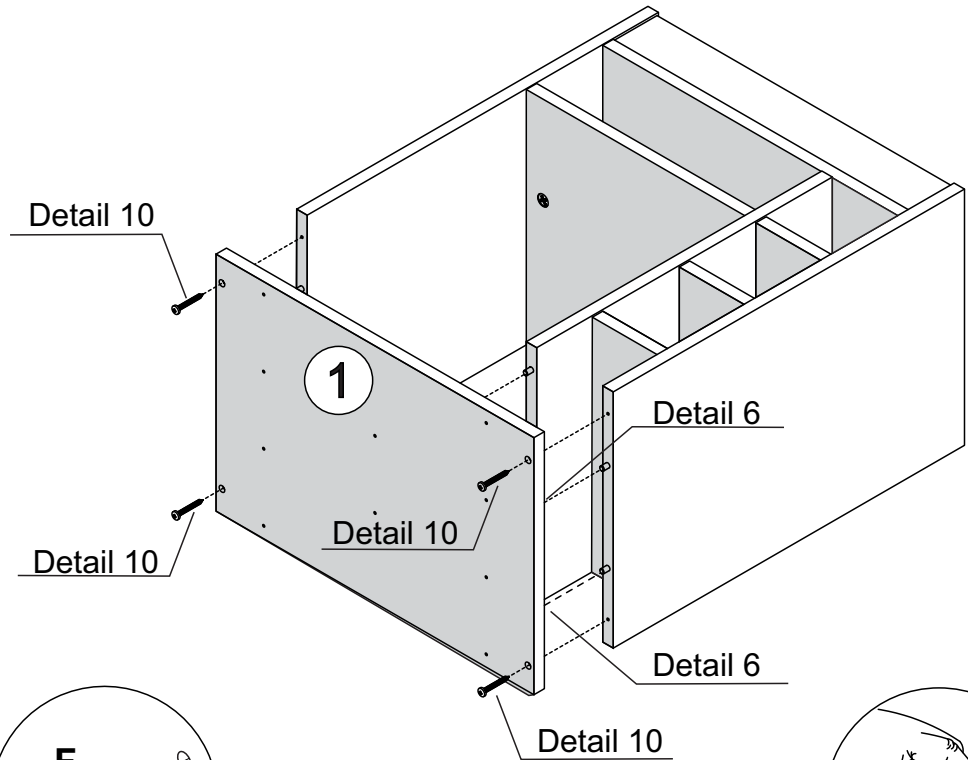
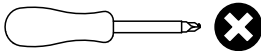


## HARDWARE REQUIRED

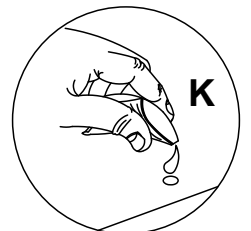
F  04

K  01

## TOOLS REQUIRED



Detail 10

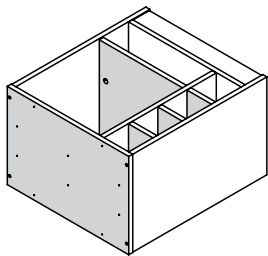


Detail 6

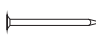
# STEP 16

## PARTS REQUIRED

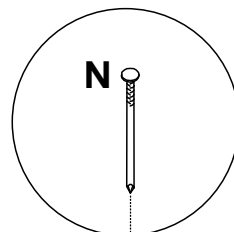
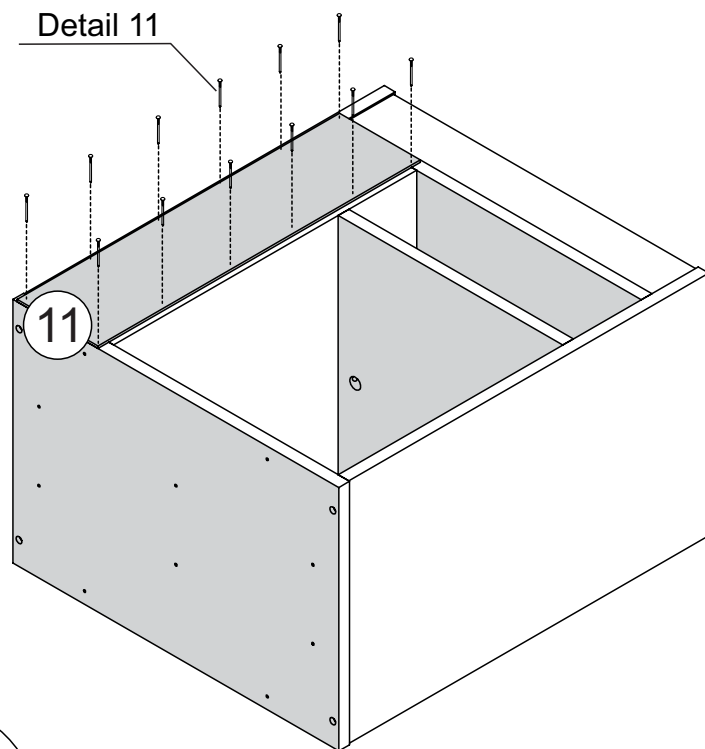
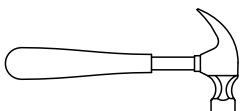
11 - BACK PANEL x1



## HARDWARE REQUIRED

N  x12

## TOOLS REQUIRED

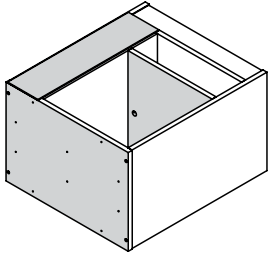


Detail 11


# STEP 17

**PARTS REQUIRED**

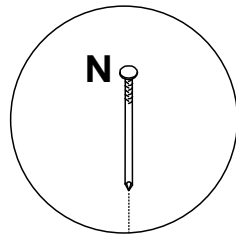
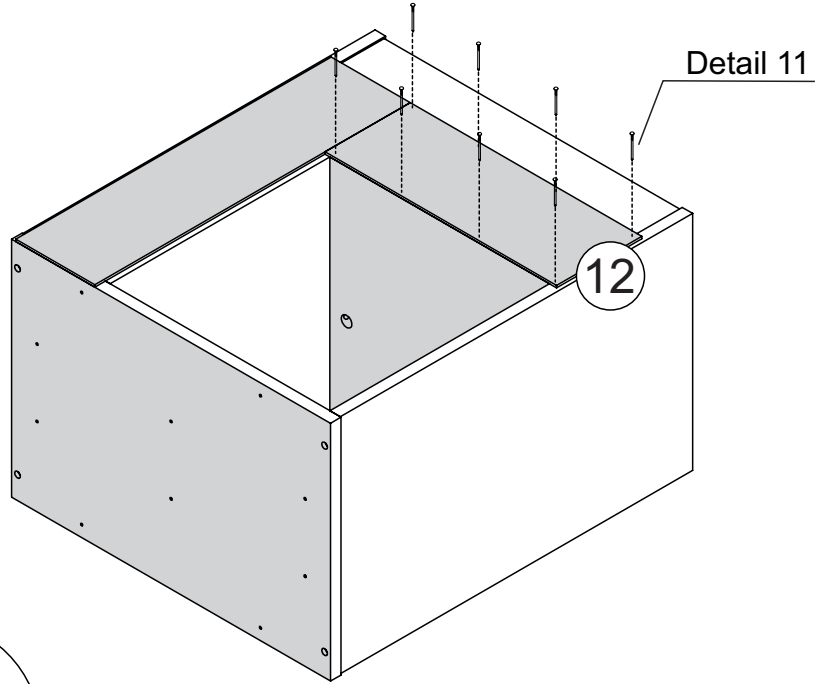
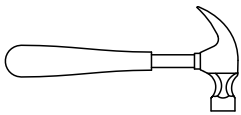
12 - SMALL BACK PANEL x1



**HARDWARE REQUIRED**

N  x8

**TOOLS REQUIRED**



Detail 11

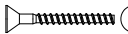
# STEP 18

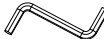
**PARTS REQUIRED**

9 - LEG SUPPORT x2

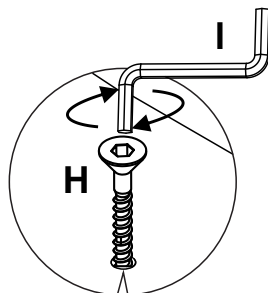
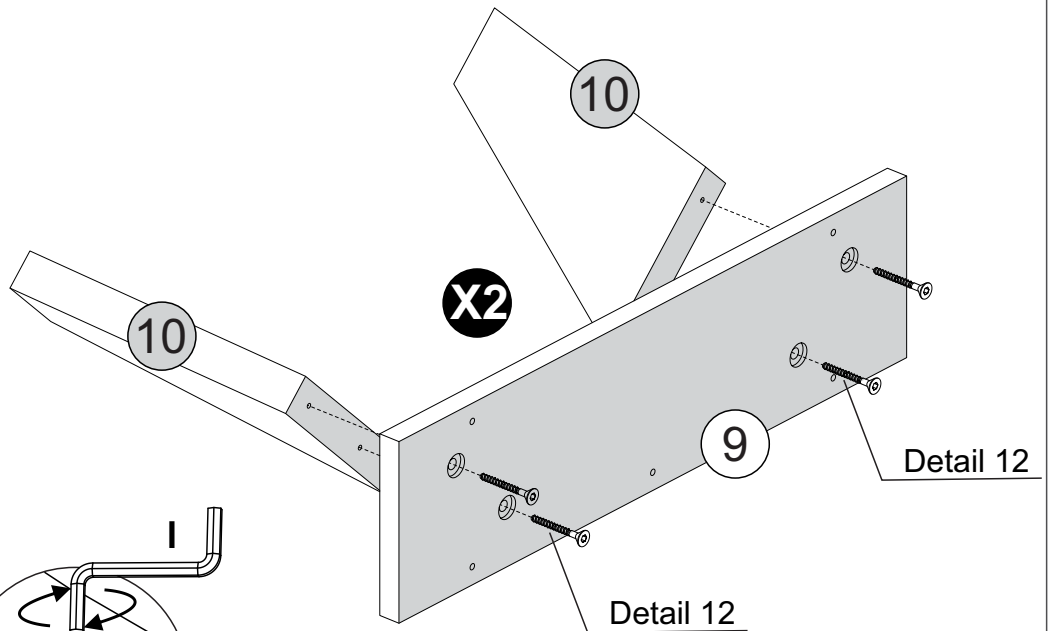
10 - LEG x4

**HARDWARE REQUIRED**

H  08

I  01

**TOOLS REQUIRED**

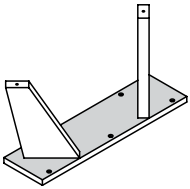
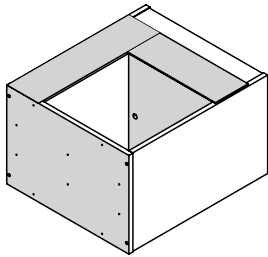


Please note:  
Pre-marked  
Holes

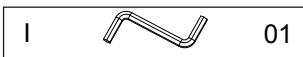
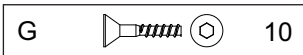
Detail 12

# STEP 19

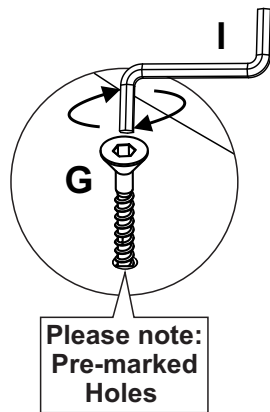
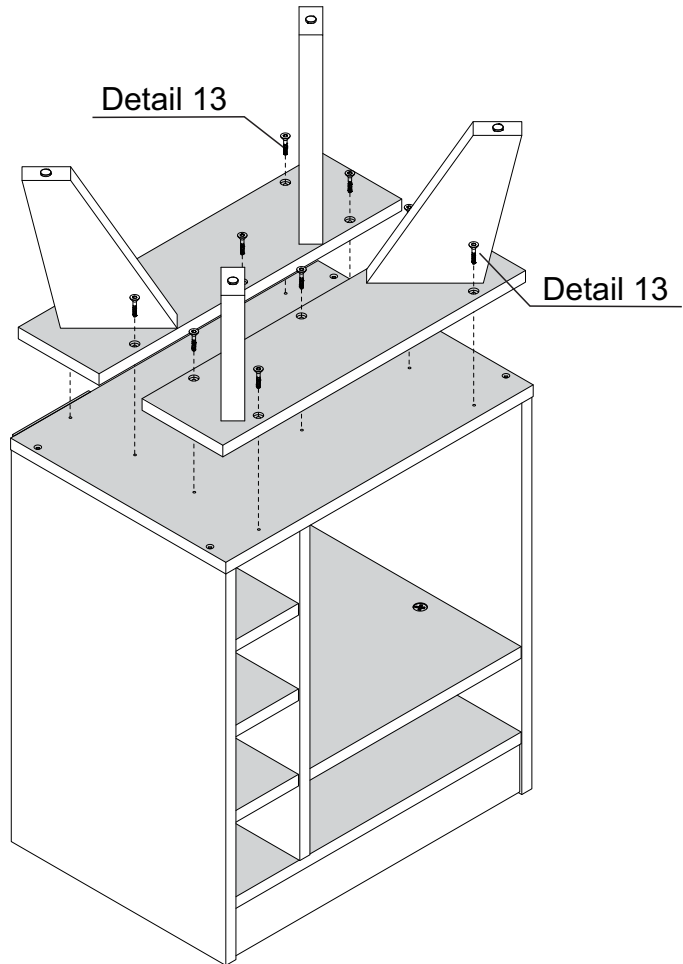
PARTS REQUIRED



HARDWARE REQUIRED



TOOLS REQUIRED

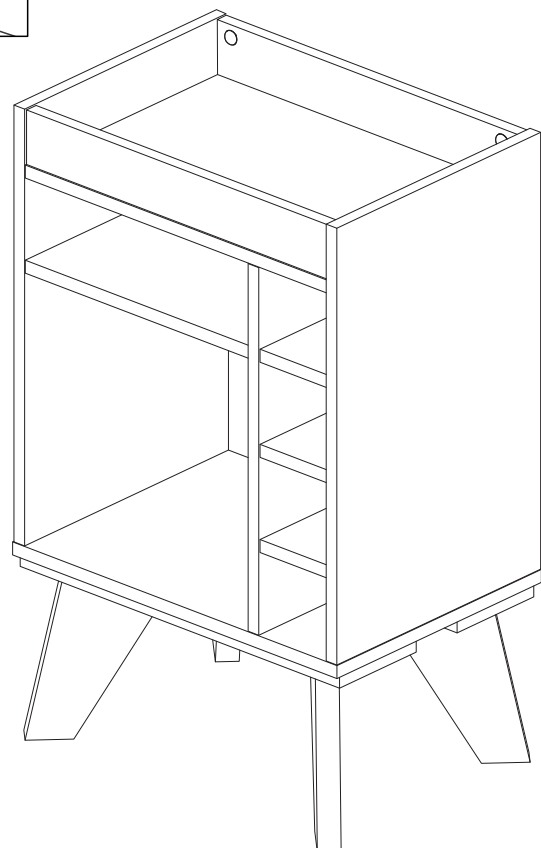
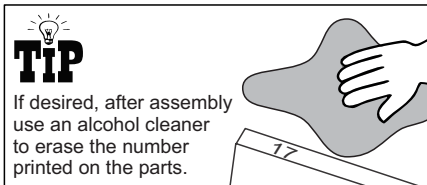


# STEP 20

PARTS REQUIRED

HARDWARE REQUIRED

TOOLS REQUIRED



# WARNING

SEC/SH/10/21/AY1

**Serious or fatal injuries can occur from furniture tipping over. To prevent the furniture from tipping over we recommend that it is permanently fixed to the wall.**

Wall fixings are not supplied with this product as different wall materials require different types of fixing devices.

Please make sure you use fixings suitable for the walls in your home.

