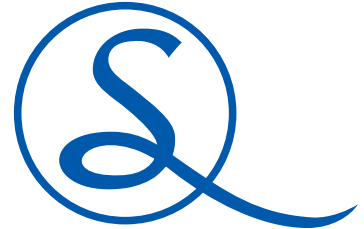
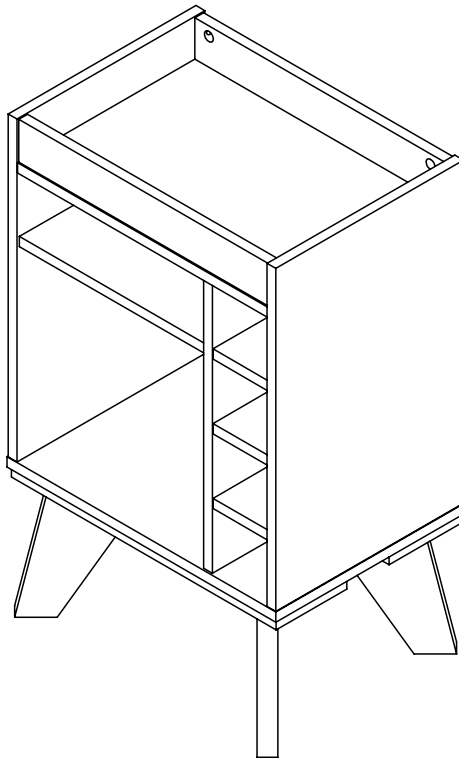


OAK EFFECT NAPLES MINI BAR/SIDE TABLE ASSEMBLY INSTRUCTIONS



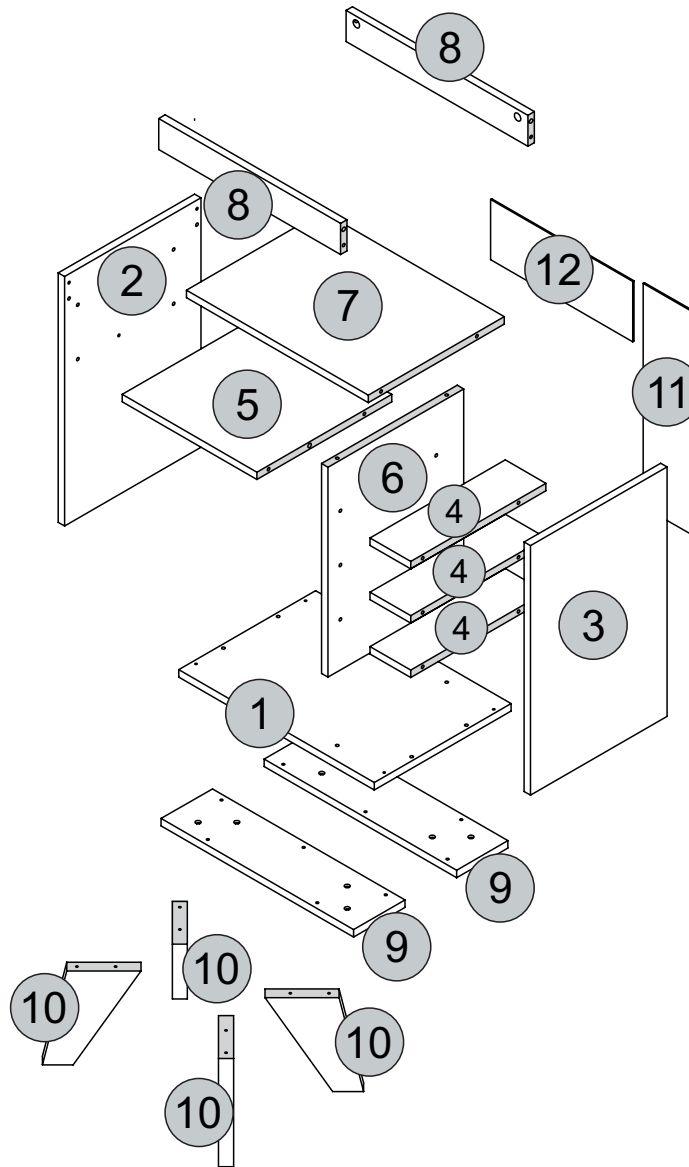
IMPORTANT FOR DOMESTIC USE ONLY

PLEASE READ BEFORE YOU CONTINUE FURTHER

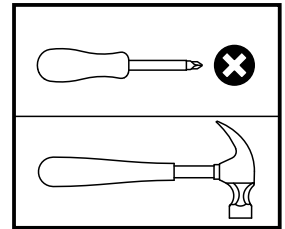
CARE AND MAINTENANCE

After unpacking this product please keep the original packaging in case it needs to be returned for any reason.

- Please ensure all fittings and parts are present before commencing with assembly.
- Never drag or push products as this could cause damage to the joints making it inferior.
- We strongly recommend that you keep children away from your work area.
- We recommend that you lay a blanket or sheet on the floor to avoid damage to both your floor and the product.
- Assemble this product as close to its final position as possible.
- Do not place this product next to a radiator or in direct sunlight.
- Do not drag or push items across your high gloss furniture as this may cause the surface to scratch
- Wood is a natural product and may expand if subjected to damp and may shrink or crack if subjected to heat. Therefore it is recommended that room temperature is maintained, with no sudden temperature fluctuations.
- Make sure any spillage is wiped off immediately.
- Do not place hot or chilled items directly on to the surface, use a place mat or marking will occur.
- For general cleaning use a soft cotton or micro fibre cloth, and do not use detergents of any kind.
- From time to time it may be necessary to tighten fittings, regular inspections should be carried out.
- Do not place on a wet or damp floor as staining may occur to your floor.



TOOLS REQUIRED

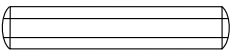
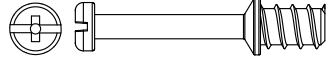
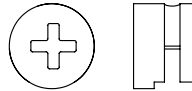
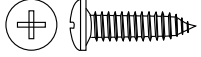
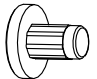
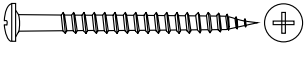
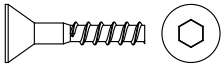
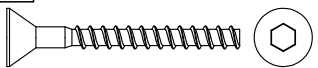
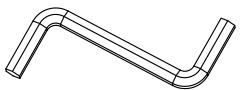
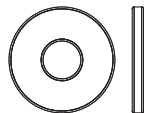






PARTS LIST

Please Note:
The below parts have all been stamped with the part number to help identify them during assembly.

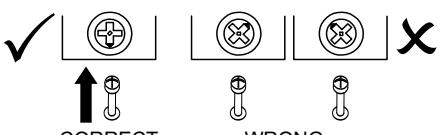
Part Number	Part Code	Part Description	Quantity	Carton
1	S300-302-048-AY1-01	Base Panel	1	1/1
2	S300-302-048-AY1-02	Left Side Panel	1	1/1
3	S300-302-048-AY1-03	Right Side Panel	1	1/1
4	S300-302-048-AY1-04	Small Shelf	3	1/1
5	S300-302-048-AY1-05	Large Shelf	1	1/1
6	S300-302-048-AY1-06	Division Panel	1	1/1
7	S300-302-048-AY1-07	Top Panel	1	1/1
8	S300-302-048-AY1-08	Top Crossbeam	2	1/1
9	S300-302-048-AY1-09	Leg Support	2	1/1
10	S300-302-048-AY1-10	Leg	4	1/1
11	S300-302-048-AY1-11	Back Panel	1	1/1
12	S300-302-048-AY1-12	Small Back Panel	1	1/1

FITTINGS LIST

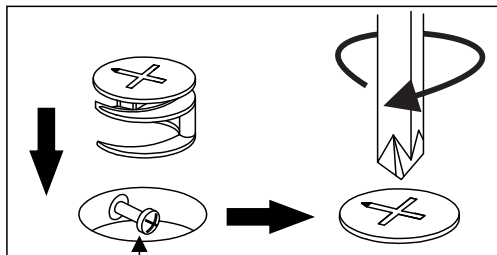
<p>A</p>  <p>2/+ Dowel Ø6,0 x 30mm (32x)</p>	<p>B</p>  <p>1/+ Cam Bolt (6x)</p>	<p>C</p>  <p>1/+ Cam Nut (6x)</p>	<p>D</p>  <p>1/+ FlatHead Screw Ø4 x 14mm (1x)</p>
<p>E</p>  <p>1/+ Plastic Foot 5X10mm (4x)</p>	<p>F</p>  <p>1/+ PanHead Screw Ø3,5 x 40mm (4x)</p>	<p>G</p>  <p>2/+ FlatHead Screw Ø5,0 x 24mm (10x)</p>	<p>H</p>  <p>1/+ FlatHead Screw Ø5,0 x 40mm (8x)</p>
<p>I</p>  <p>Allen Key (1x)</p>	<p>J</p>  <p>1/+ Washer (2x)</p>	<p>K</p>  <p>Glue (2x)</p>	<p>L</p>  <p>1/+ Hole Plug (4x)</p>
<p>M</p>  <p>Strap (1x)</p>	<p>N</p>  <p>2/+ Nail Ø8x18mm (20x)</p>		

TIPS FOR FITTINGS CAM-LOCKS

WHEN FITTING CAM NUT. ENSURE STARTING POSITION IS CORRECT BEFORE YOU INSERT CONNECTING CAM BOLT TURN CLOCKWISE UNTIL SECURE



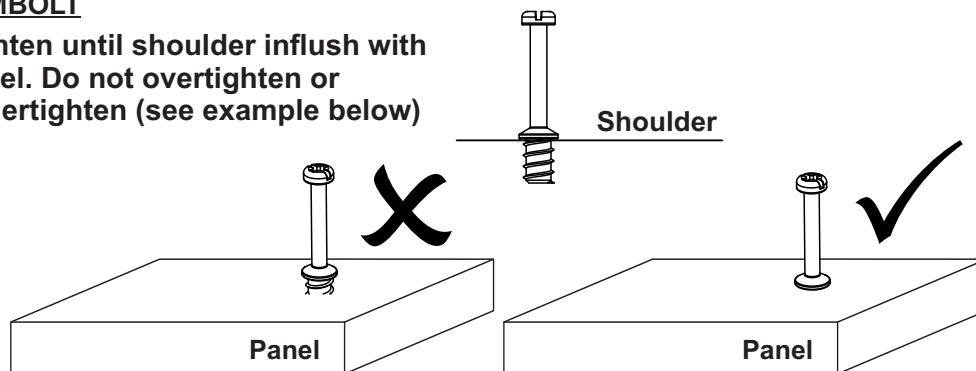
CORRECT
WRONG



Cam bolt head needs to be in centre

CAMBOLT

Tighten until shoulder in flush with panel. Do not overtighten or undertighten (see example below)





STEP 1

PARTS REQUIRED

2 - LEFT SIDE PANEL x1

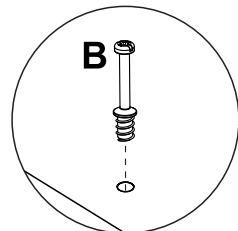
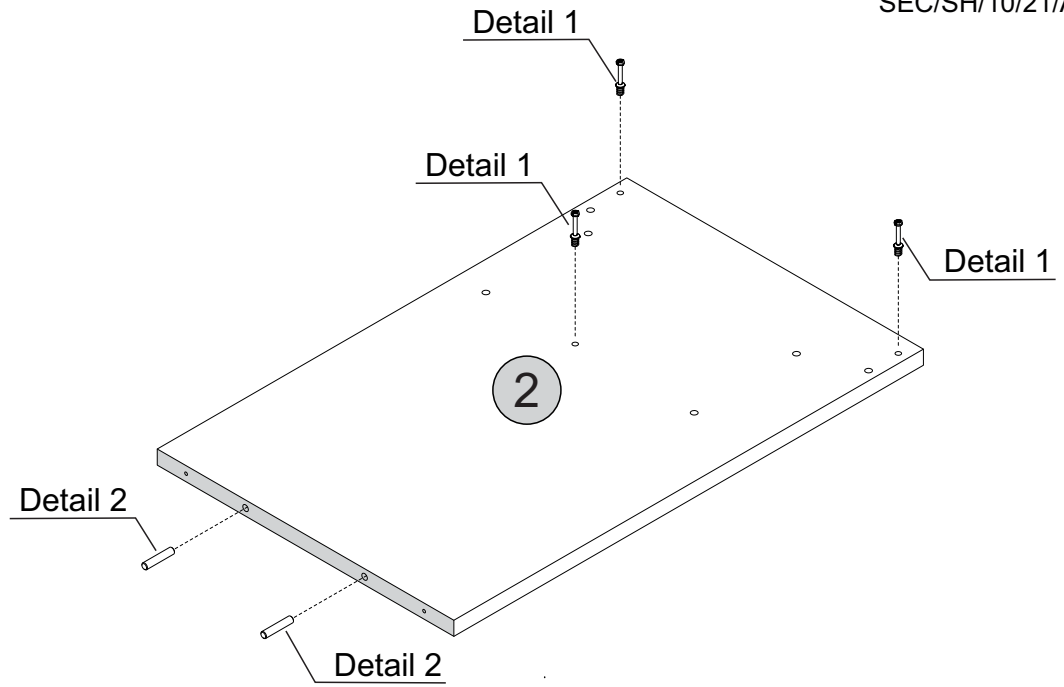
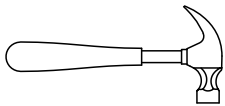
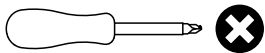
HARDWARE REQUIRED

A  02

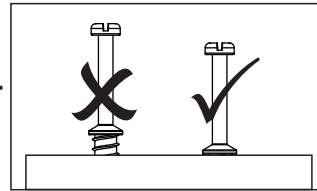
B  03

K  01

TOOLS REQUIRED



Detail 1



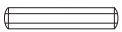
Detail 2

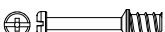
STEP 2

PARTS REQUIRED

3 - RIGHT SIDE PANEL x1

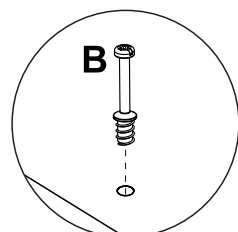
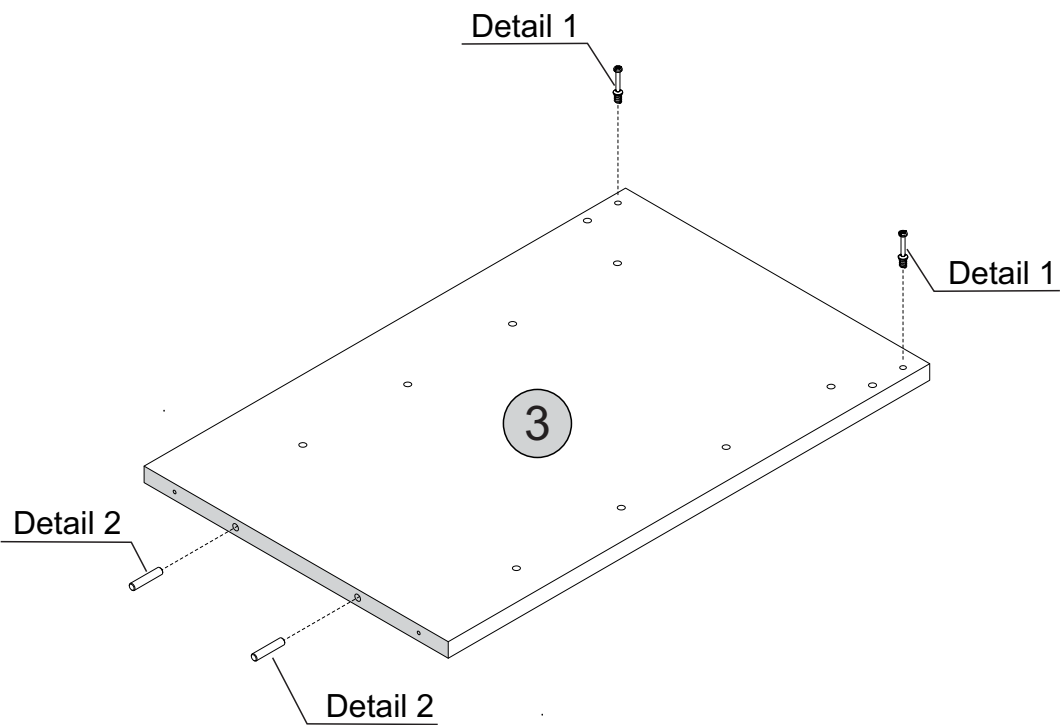
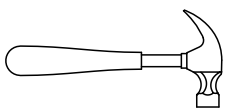
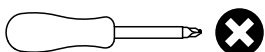
HARDWARE REQUIRED

A  02

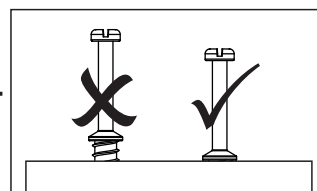
B  02

K  01

TOOLS REQUIRED



Detail 1



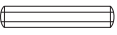
Detail 2

STEP 3

PARTS REQUIRED

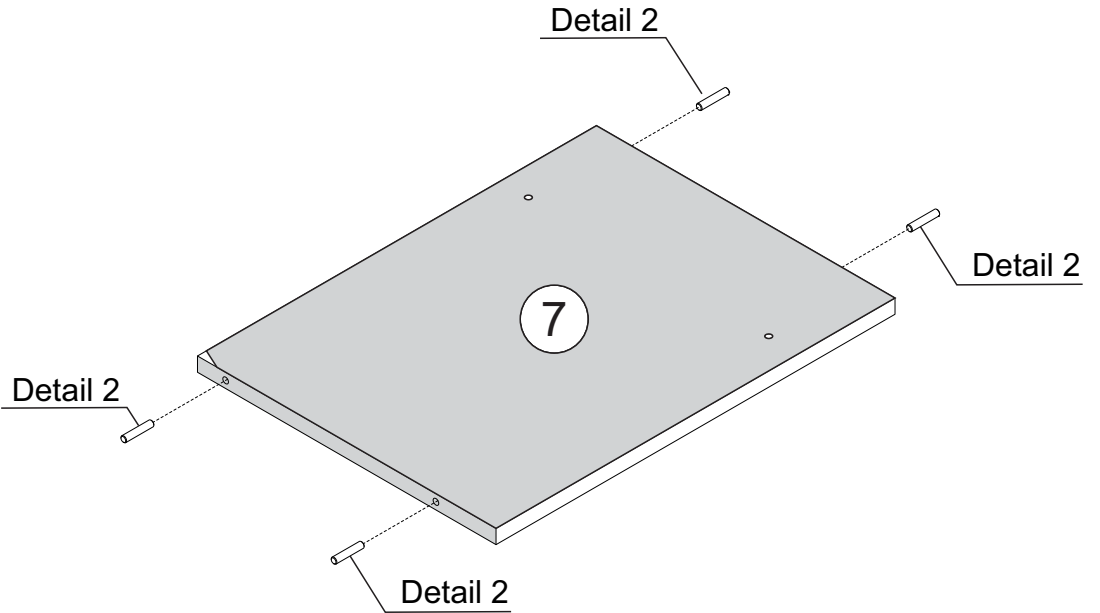
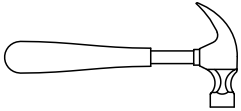
7 - TOP PANEL x1

HARDWARE REQUIRED

A  04

K  01

TOOLS REQUIRED



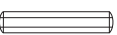
Detail 2

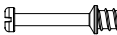
STEP 4

PARTS REQUIRED

6 - DIVISION PANEL x1

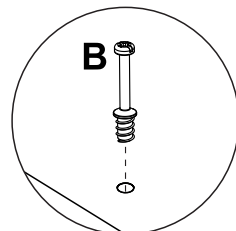
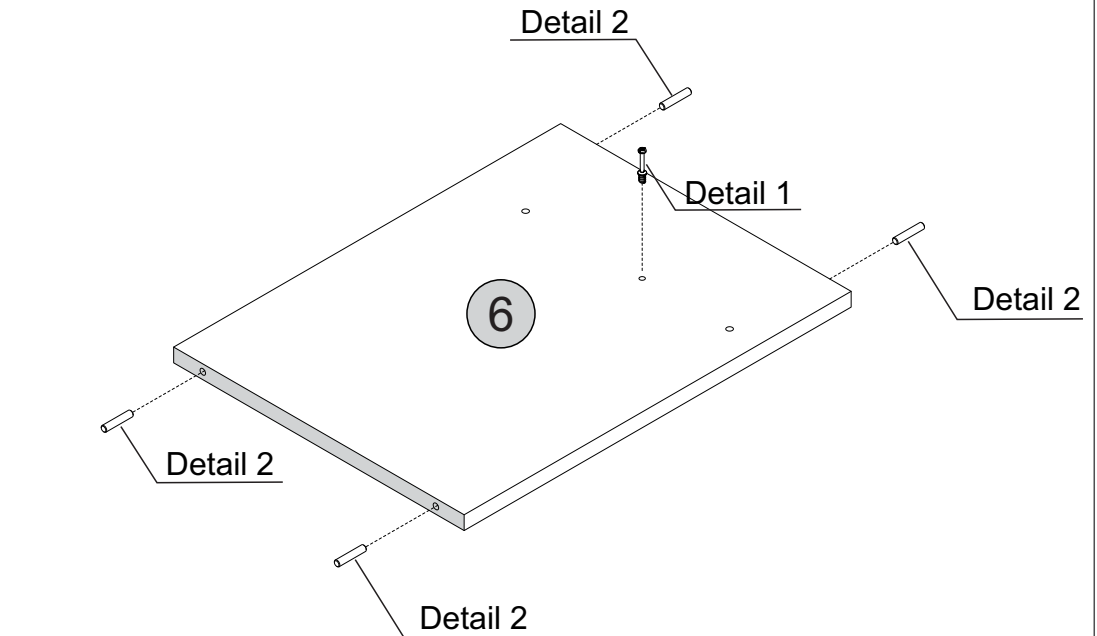
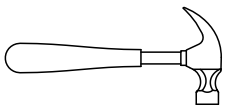
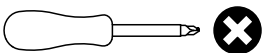
HARDWARE REQUIRED

A  04

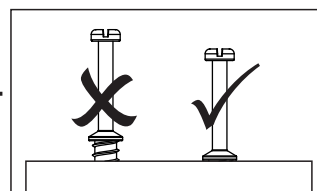
B  01

K  01

TOOLS REQUIRED



Detail 1



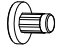
Detail 2

STEP 5

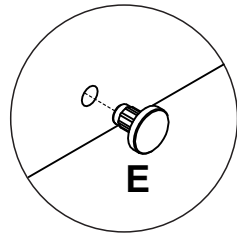
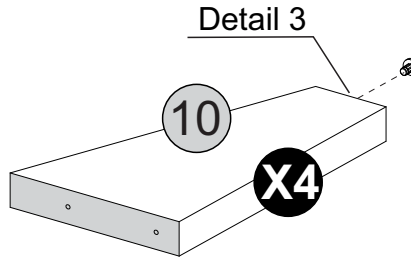
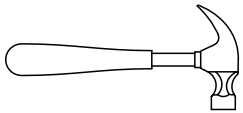
PARTS REQUIRED

10 - LEG x4

HARDWARE REQUIRED

E  04

TOOLS REQUIRED



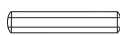
Detail 3

STEP 6

PARTS REQUIRED

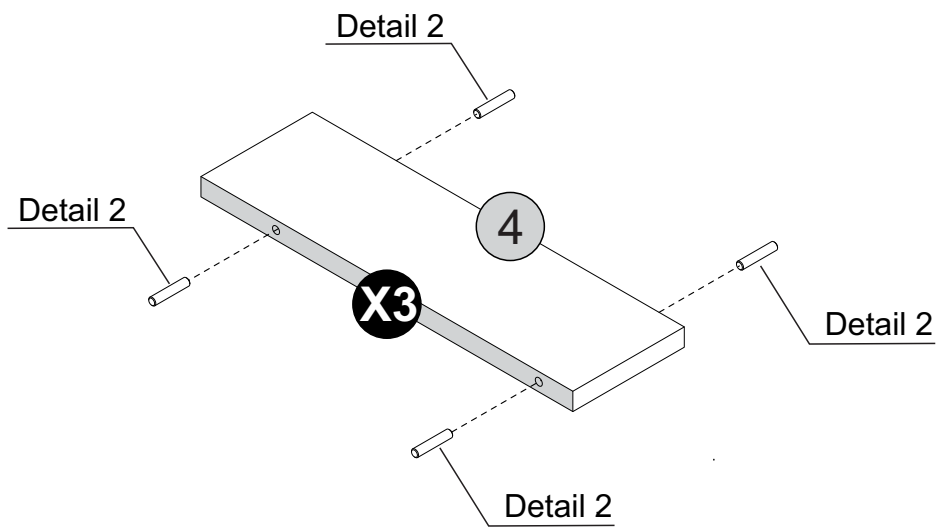
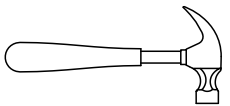
4 - SMALL SHELF x3

HARDWARE REQUIRED

A  12

K  01

TOOLS REQUIRED



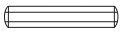
Detail 2

STEP 7

PARTS REQUIRED

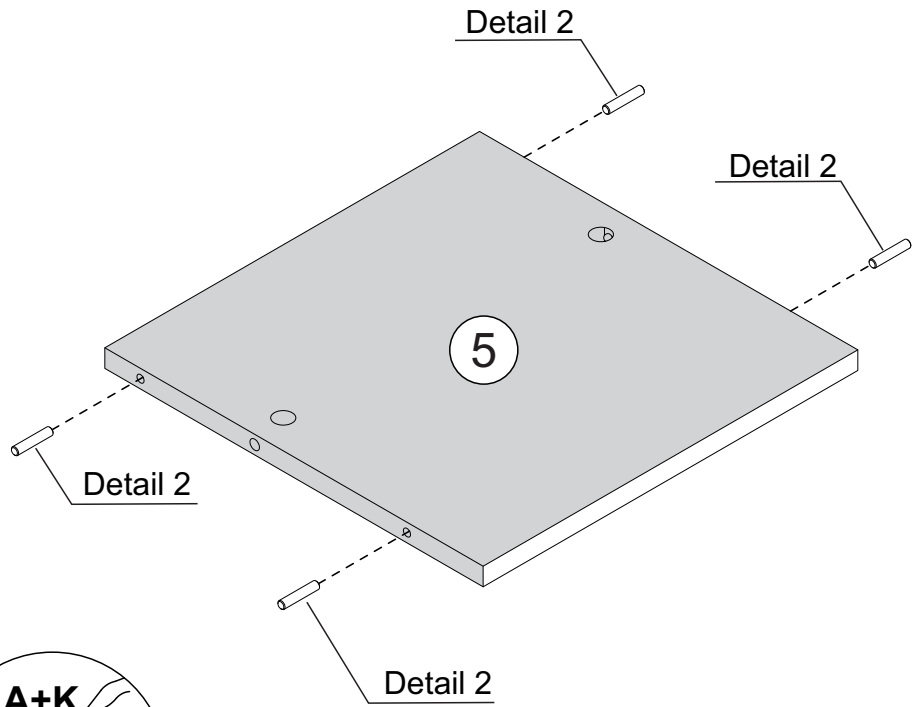
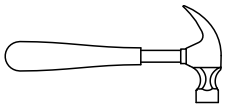
5 - LARGE SHELF x1

HARDWARE REQUIRED

A  04

K  01

TOOLS REQUIRED



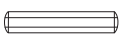
Detail 2

STEP 8

PARTS REQUIRED

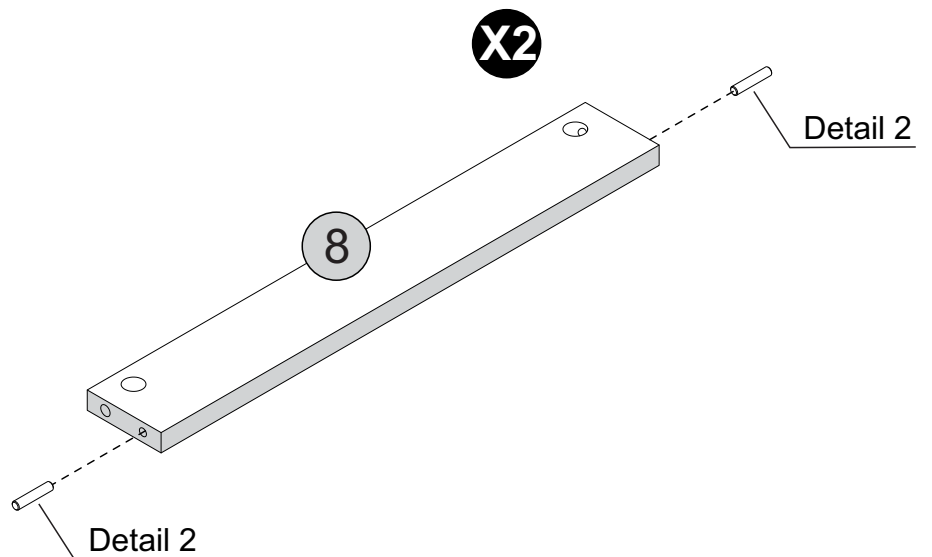
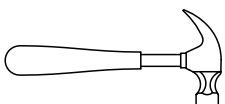
8 - TOP CROSSBEAM x2

HARDWARE REQUIRED

A  04

K  01

TOOLS REQUIRED



Detail 2

STEP 9

PARTS REQUIRED

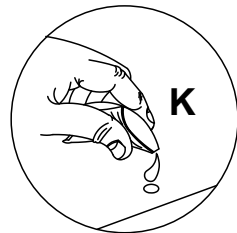
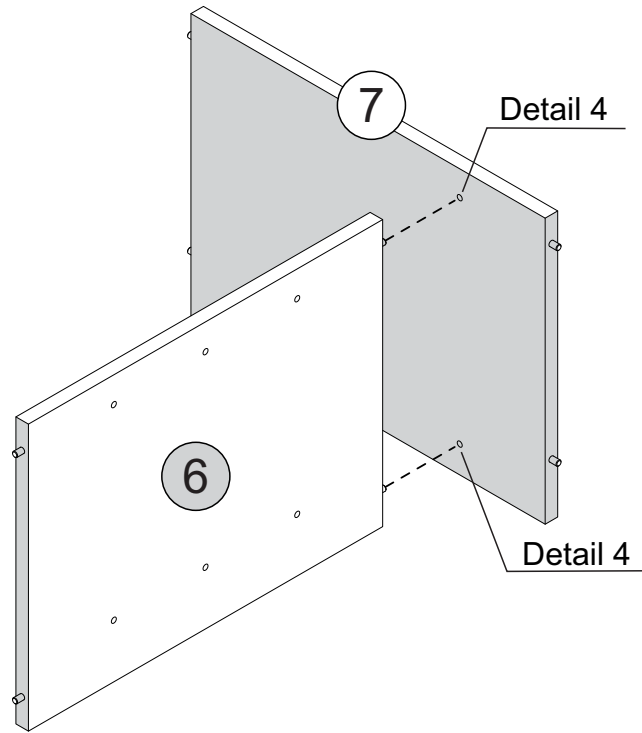
6 - DIVISION PANEL x1

7 - TOP PANEL x1

HARDWARE REQUIRED

K  01

TOOLS REQUIRED

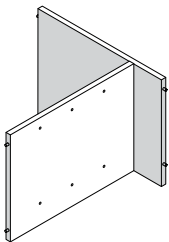


Detail 4

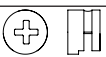
STEP 10

PARTS REQUIRED

5 - LARGE SHELF x1

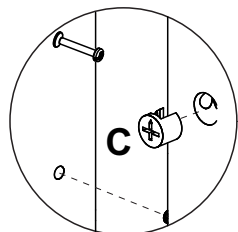
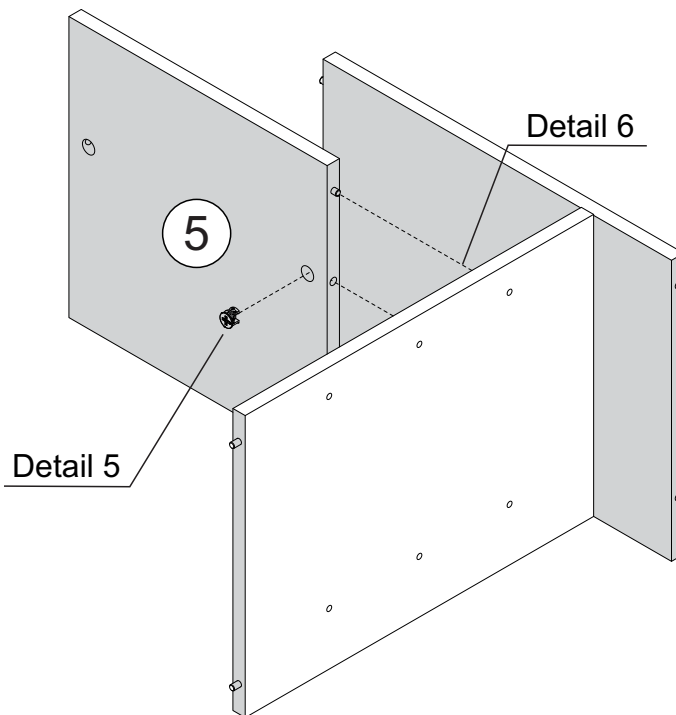
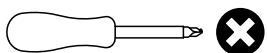


HARDWARE REQUIRED

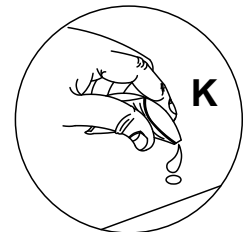
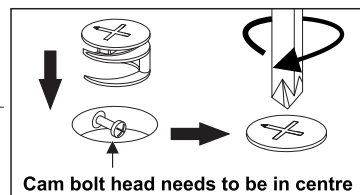
C  01

K  01

TOOLS REQUIRED



Detail 5

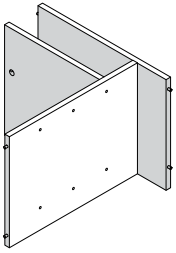


Detail 6

STEP 11

PARTS REQUIRED

2 - LEFT SIDE PANEL x1

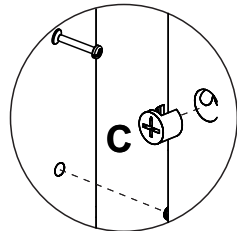
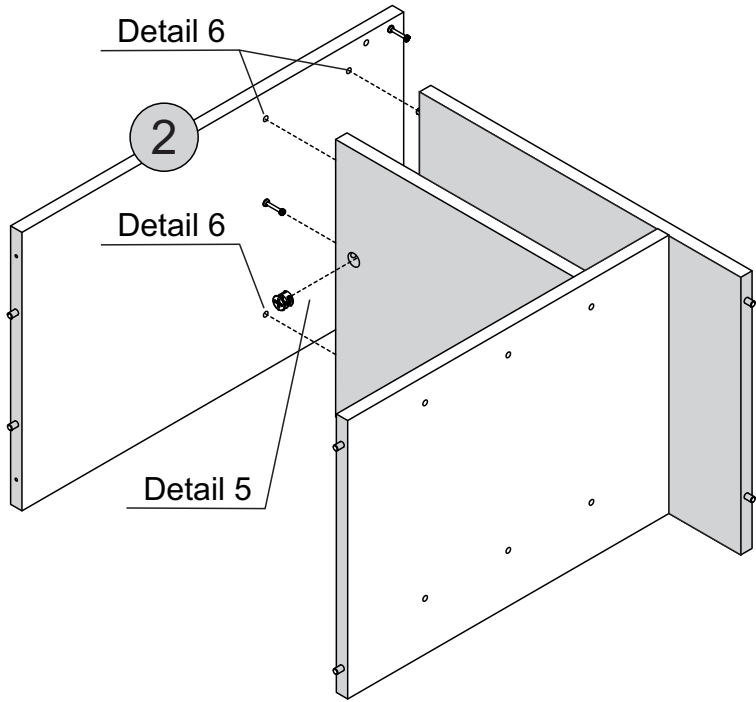
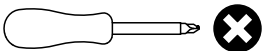


HARDWARE REQUIRED

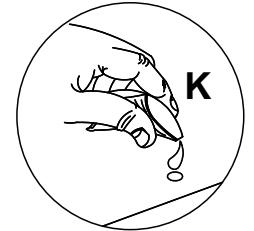
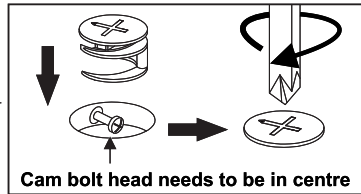
C  01

K  01

TOOLS REQUIRED



Detail 5

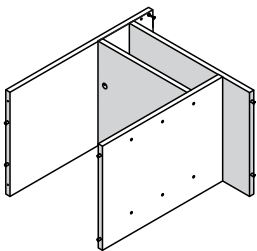


Detail 6

STEP 12

PARTS REQUIRED

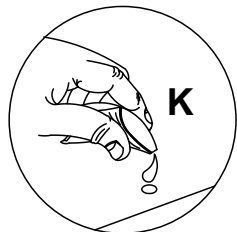
4 - SMALL SHELF x3



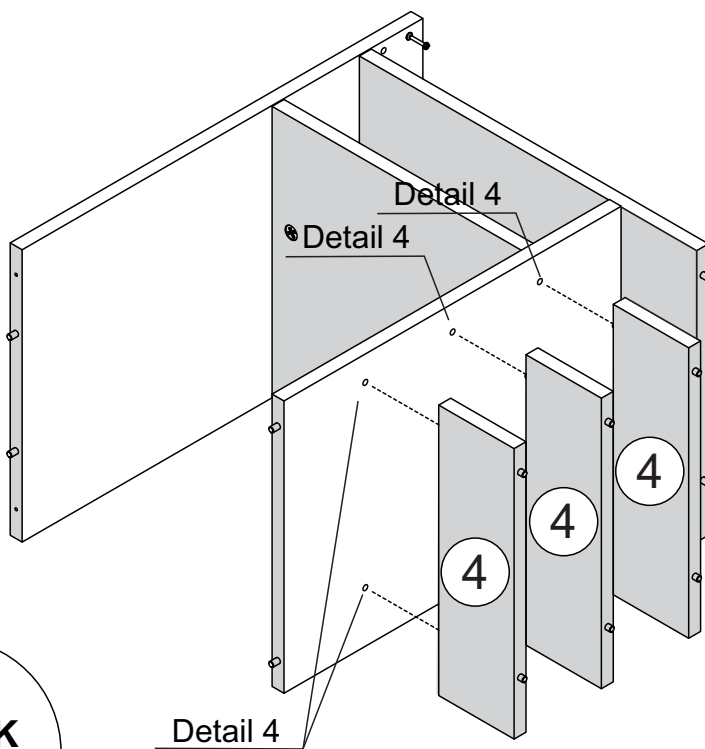
HARDWARE REQUIRED

K  01

TOOLS REQUIRED



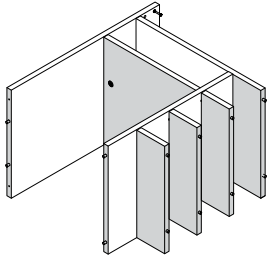
Detail 4




STEP 13

PARTS REQUIRED

8 - TOP CROSSBEAM x2



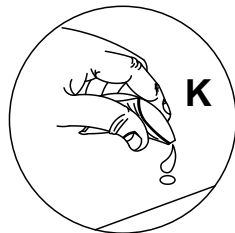
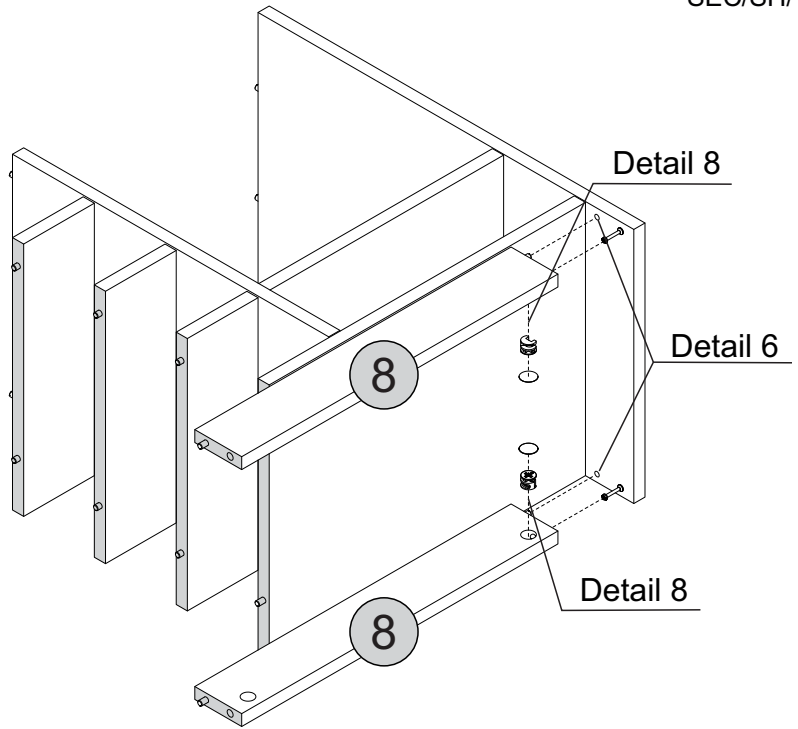
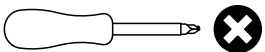
HARDWARE REQUIRED

C  02

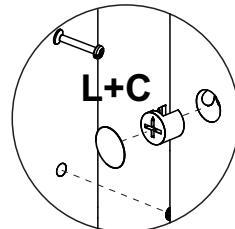
K  01

L  02

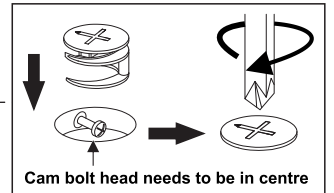
TOOLS REQUIRED



Detail 6



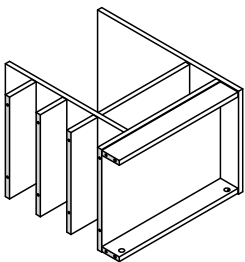
Detail 8



STEP 14

PARTS REQUIRED

3 - RIGHT SIDE PANEL x1



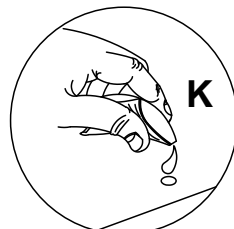
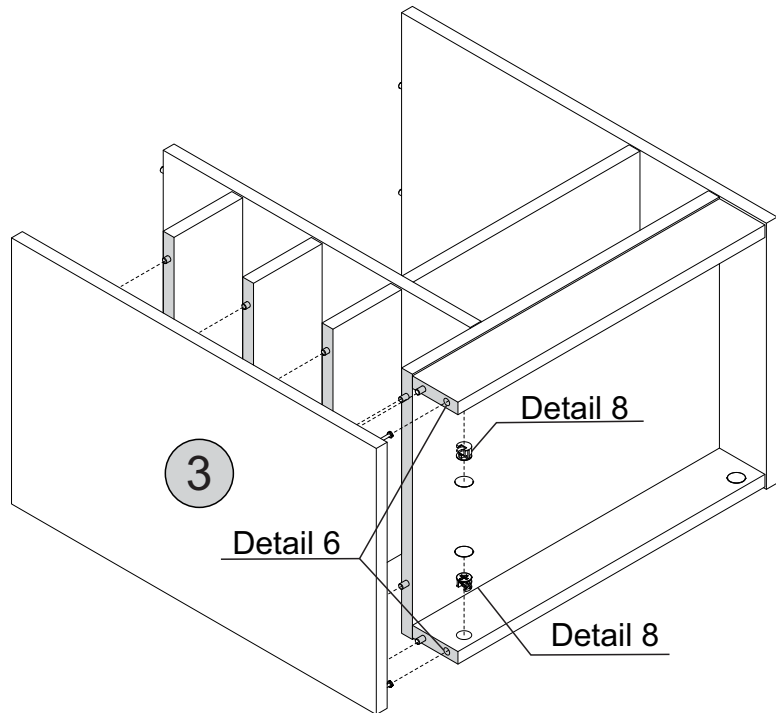
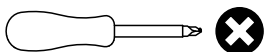
HARDWARE REQUIRED

C  02

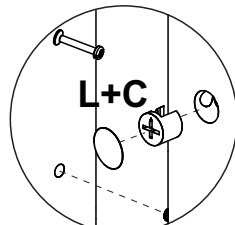
K  01

L  02

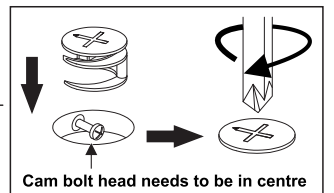
TOOLS REQUIRED



Detail 6



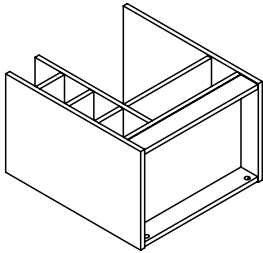
Detail 8




STEP 15

PARTS REQUIRED

1 - BASE PANEL x1

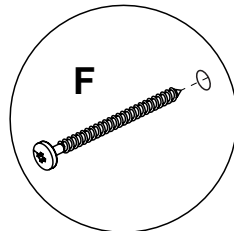
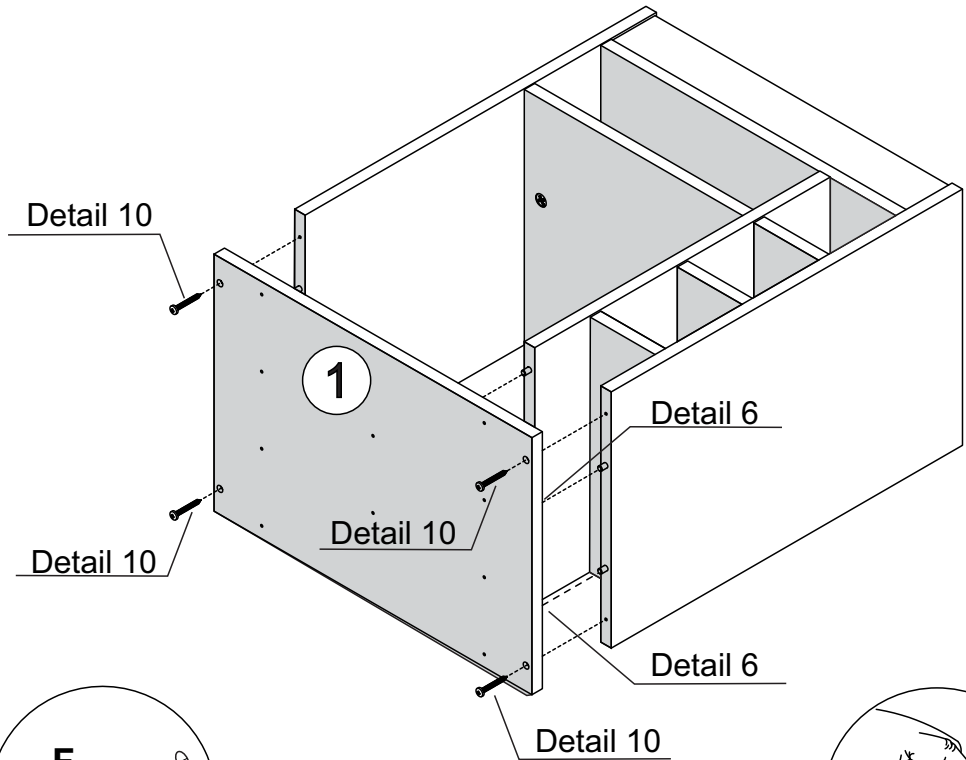
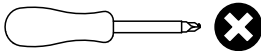


HARDWARE REQUIRED

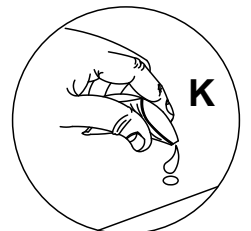
F  04

K  01

TOOLS REQUIRED



Detail 10

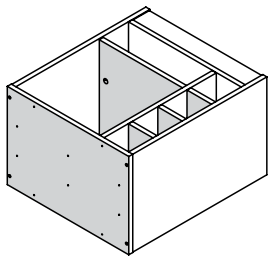


Detail 6

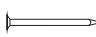
STEP 16

PARTS REQUIRED

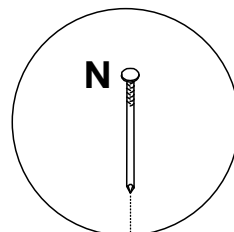
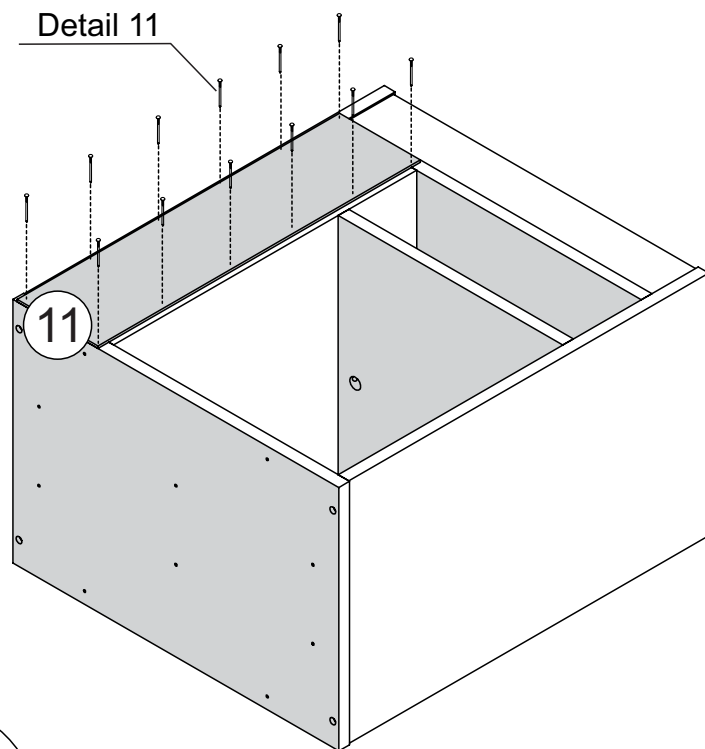
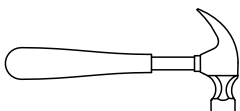
11 - BACK PANEL x1



HARDWARE REQUIRED

N  x12

TOOLS REQUIRED

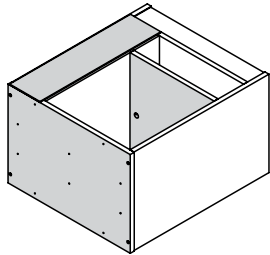


Detail 11

STEP 17

PARTS REQUIRED

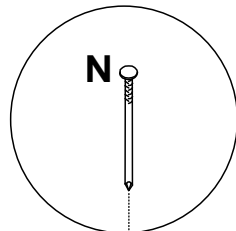
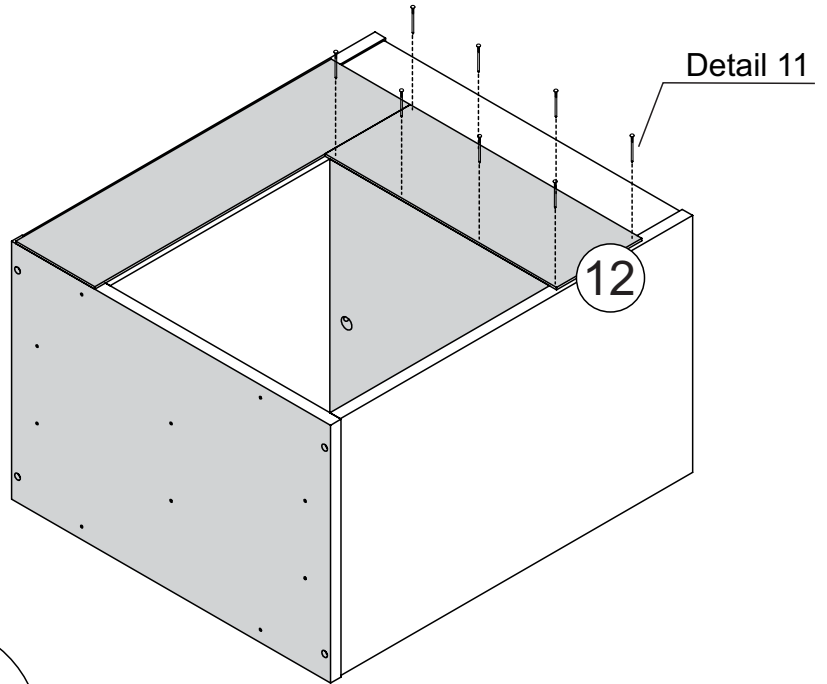
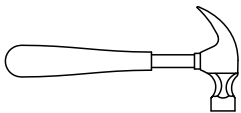
12 - SMALL BACK PANEL x1



HARDWARE REQUIRED

N  x8

TOOLS REQUIRED



Detail 11

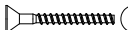
STEP 18


PARTS REQUIRED

9 - LEG SUPPORT x2

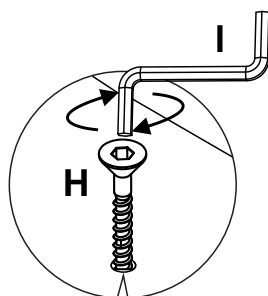
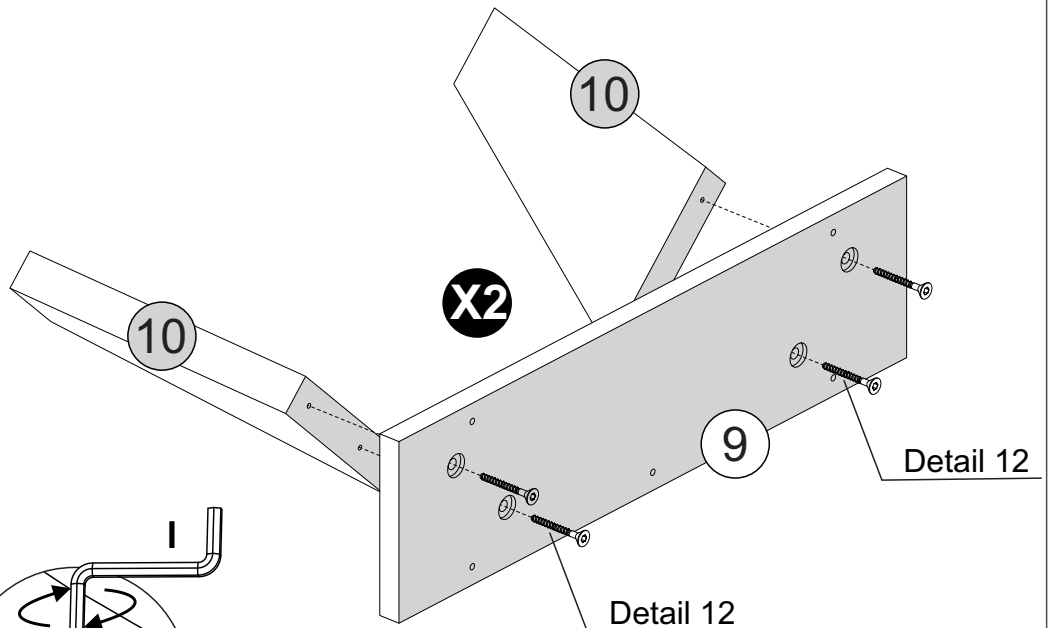
10 - LEG x4

HARDWARE REQUIRED

H  08

I  01

TOOLS REQUIRED

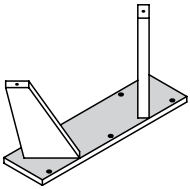
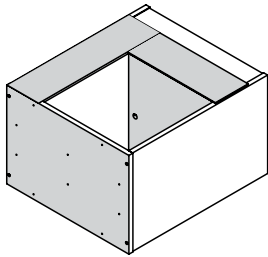


Please note:
Pre-marked
Holes

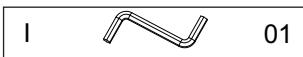
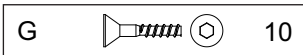
Detail 12

STEP 19

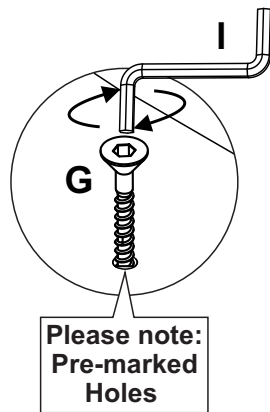
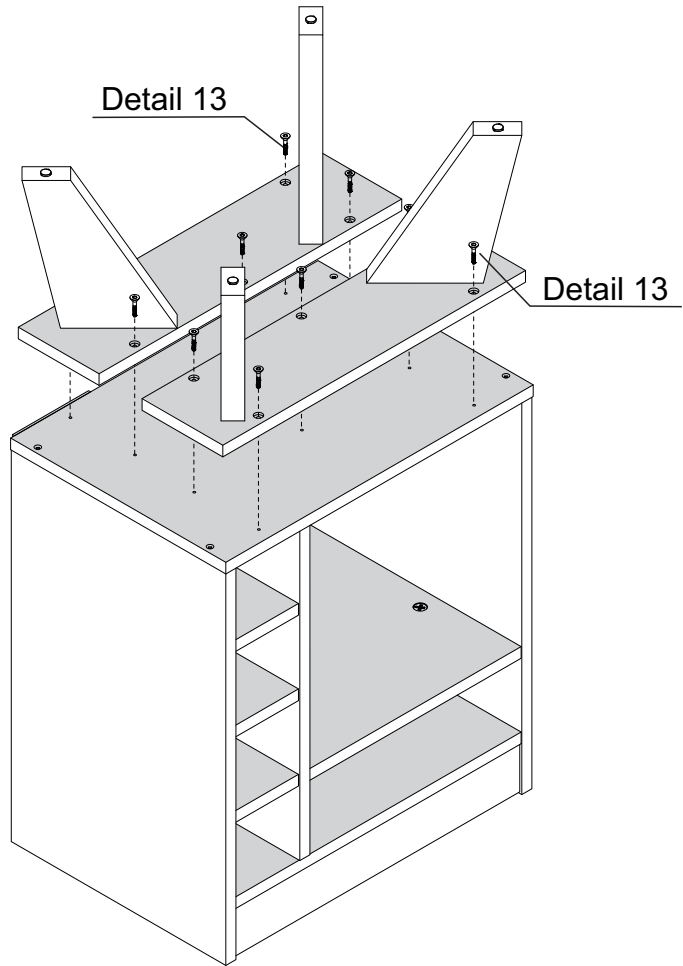
PARTS REQUIRED



HARDWARE REQUIRED



TOOLS REQUIRED

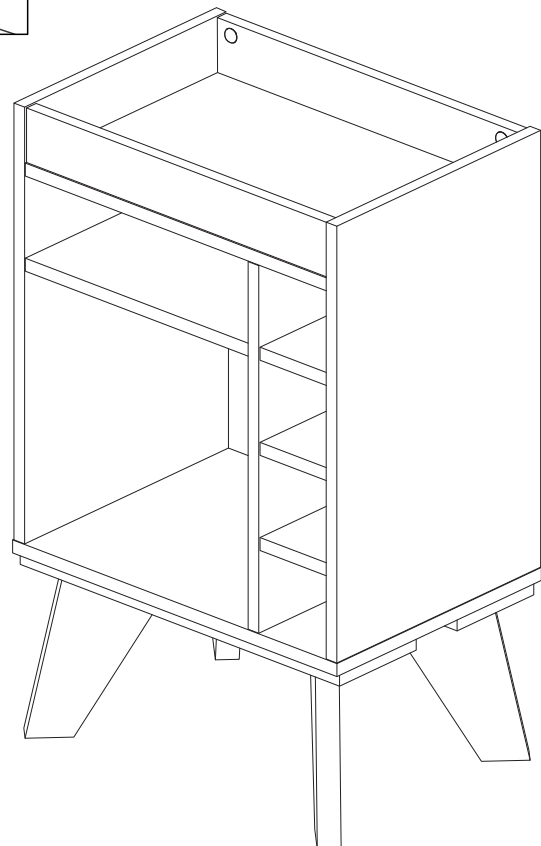
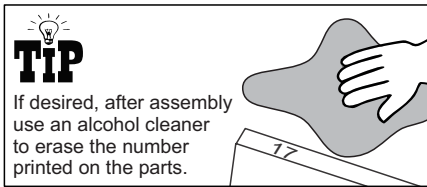


STEP 20

PARTS REQUIRED

HARDWARE REQUIRED

TOOLS REQUIRED



WARNING

SEC/SH/10/21/AY1

Serious or fatal injuries can occur from furniture tipping over. To prevent the furniture from tipping over we recommend that it is permanently fixed to the wall.

Wall fixings are not supplied with this product as different wall materials require different types of fixing devices.

Please make sure you use fixings suitable for the walls in your home.

