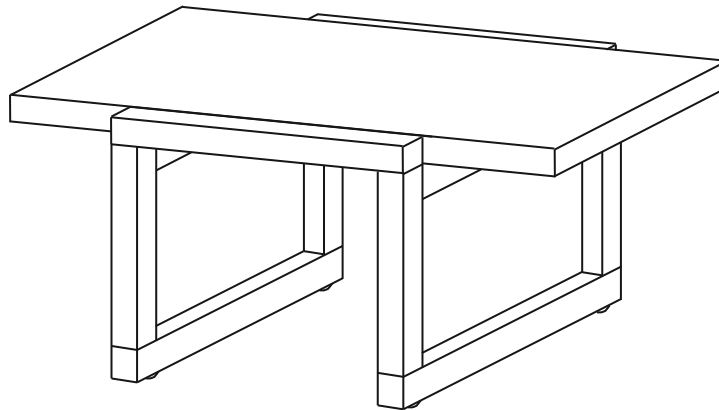


MEDIUM OAK/BLACK OAK EFFECT  
**SELMA SIDE TABLE**  
**ASSEMBLY INSTRUCTIONS**



**FOR DOMESTIC USE ONLY**  
**IMPORTANT**

**PLEASE READ BEFORE YOU CONTINUE FURTHER**

THE PRODUCT YOU HAVE PURCHASED WILL GIVE YOU MANY YEARS OF SERVICE IF YOU FOLLOW THE GUIDELINES FOR ITS SAFE ASSEMBLY AND PERIODIC MAINTENANCE AND CLEANING.

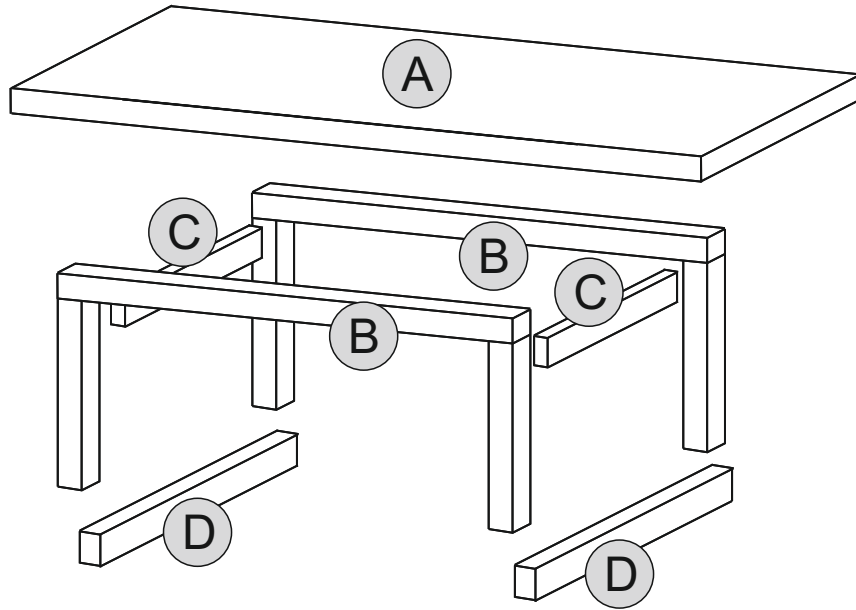
DO NOT USE ANY TOOLS OTHER THAN THOSE SHOWN.

ANY SPANNERS OR ALLEN KEYS REQUIRED ARE INCLUDED WITH THE FITTINGS KIT.

DO NOT FOR ANY REASON USE A POWER TOOL TO ASSEMBLE THIS PRODUCT. ITS USE WILL INVALIDATE ANY CLAIM YOU MAY HAVE AND COULD MAKE THIS PRODUCT UNSAFE.

DEPENDING ON THE AMOUNT OF USE THIS PRODUCT RECEIVES IT MAY BE NECESSARY TO TIGHTEN UP THE FIXINGS FROM TIME TO TIME. THIS IS COMPLETELY NORMAL FOR ANY FLAT PACK FURNITURE.

FOR CLEANING YOU MAY USE A DAMP CLOTH (NOT WET) DRY DUSTER AND NORMAL FURNITURE POLISH.



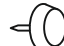




**PLEASE CHECK THAT YOU HAVE ALL THE PARTS LISTED BEFORE YOU START ASSEMBLING. IF YOU DO FIND THAT SOMETHING IS MISSING, DO NOT CONTINUE ASSEMBLY. PLEASE CONTACT YOUR SUPPLIER IMMEDIATELY.**

## PART LIST

Part Number	Part Code	Part Description	Quantity	Carton
A	S300-302-058-AB1-A	Table Top	1	1/1
B	S300-302-058-AB1-B	Leg Frame	2	1/1
C	S300-302-058-AB1-C	Upper Rail	2	1/1
D	S300-302-058-AB1-D	Lower Rail	2	1/1

## HARDWARE


No	Part Name		Qty	Carton
1	45mm M6 Bolt		8 PCS	1
2	CSK M4 x 38mm		4 PCS	1
3	PVC Nail Leg		4 PCS	1
4	Cam Hole Cover		4 PCS	1
5	Allen Key		1 PC	1

# STEP 1

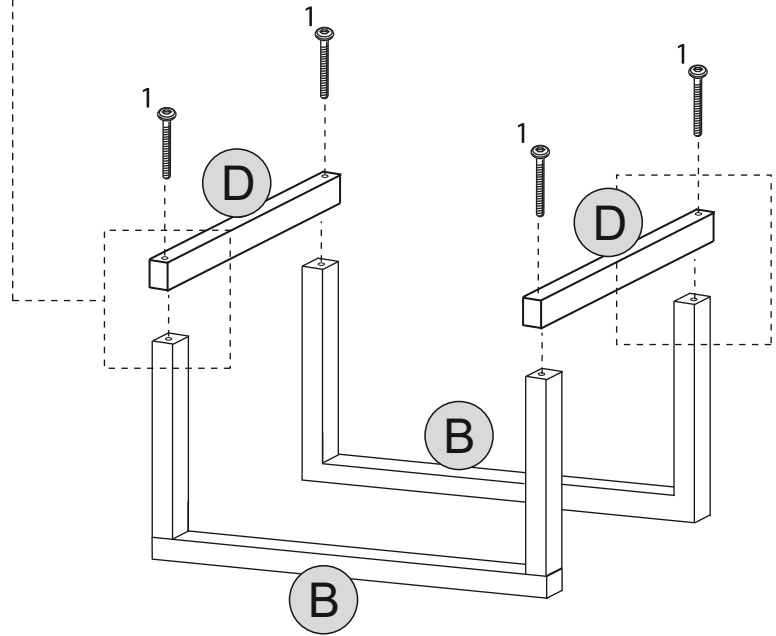
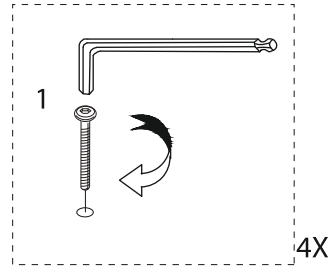
## PARTS REQUIRED

B - LEG FRAME	x2
C - LOWER RAIL	x2

## HARDWARE REQUIRED

1		04
---	---	----

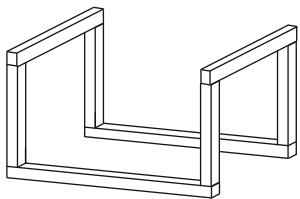
## TOOLS REQUIRED



# STEP 2

## PARTS REQUIRED

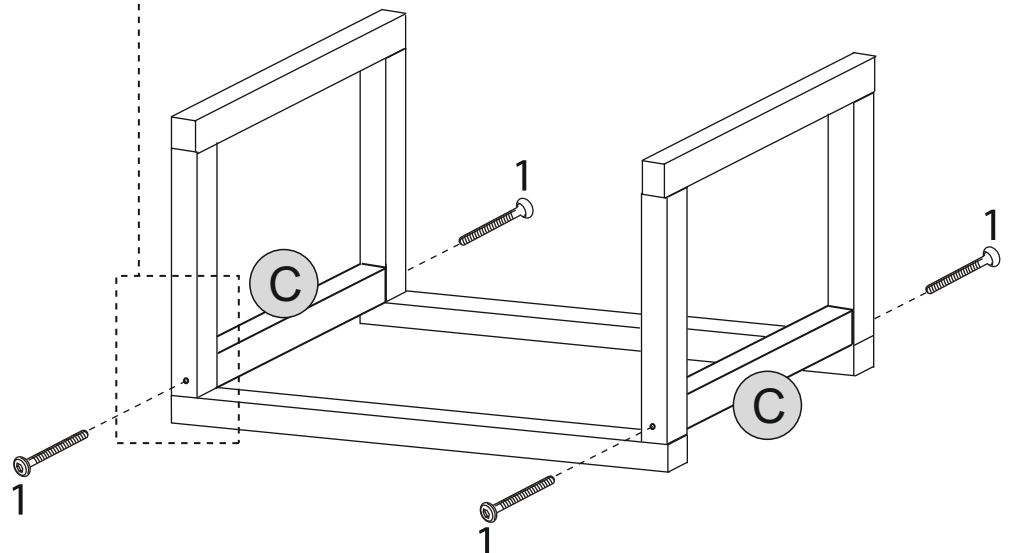
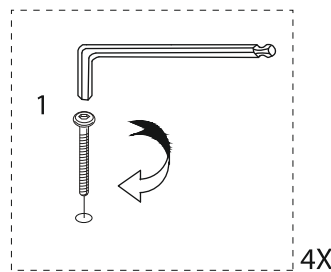
C - UPPER RAIL	x2
----------------	----



## HARDWARE REQUIRED

1		04
---	---	----

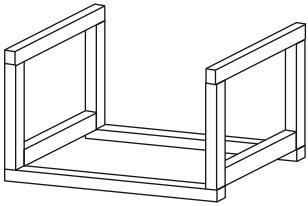
## TOOLS REQUIRED



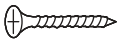
# STEP 3

## PARTS REQUIRED

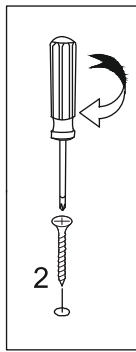
A - TOP PANEL x1



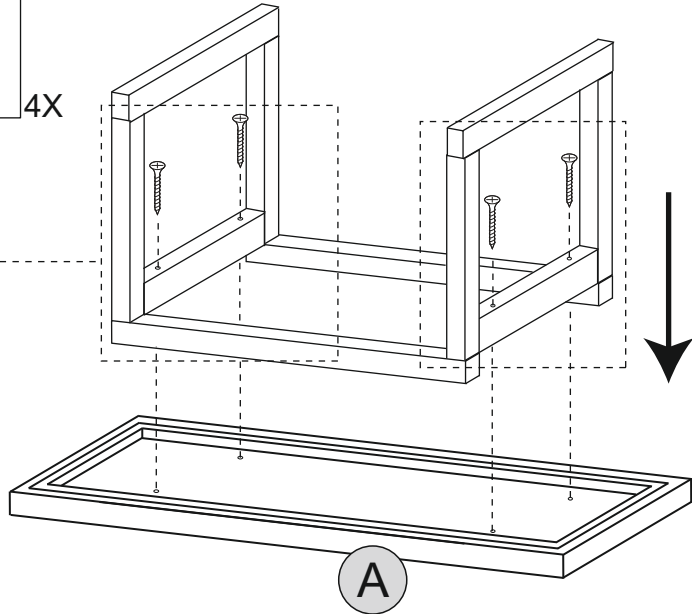
## HARDWARE REQUIRED

2  04

## TOOLS REQUIRED

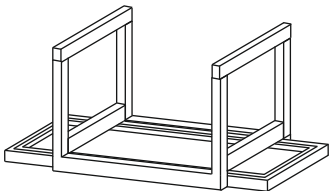


4X



# STEP 4

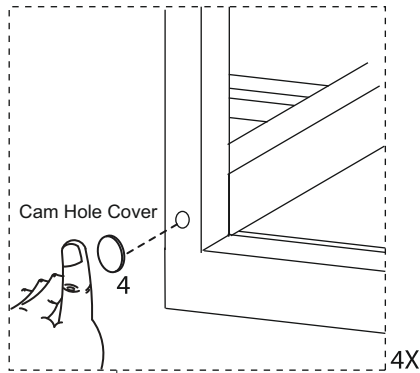
## PARTS REQUIRED



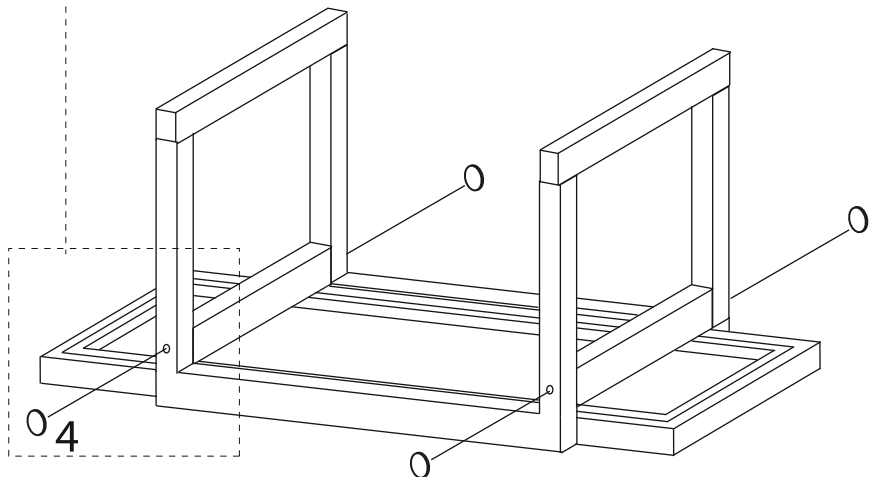
## HARDWARE REQUIRED

4  04

## TOOLS REQUIRED

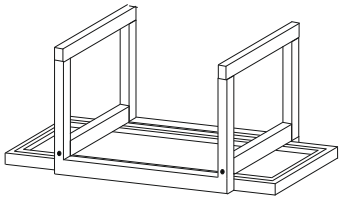


4X

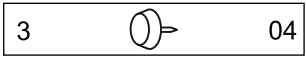


# STEP 5

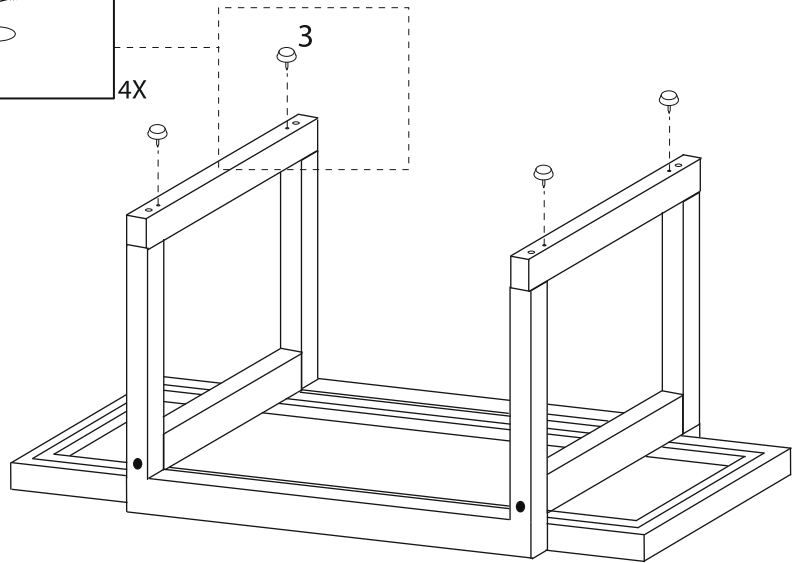
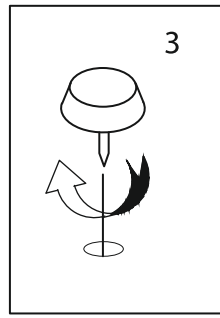
## PARTS REQUIRED



## HARDWARE REQUIRED



## TOOLS REQUIRED



# STEP 6

