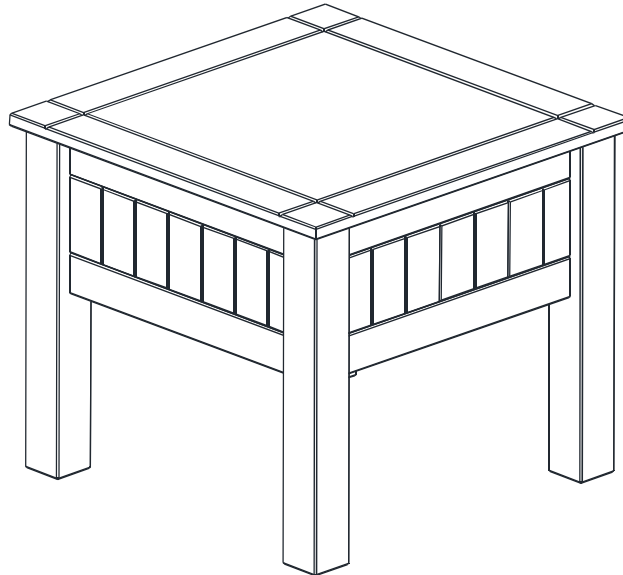


WHITE/NATURAL WAX PANAMA LAMP TABLE ASSEMBLY INSTRUCTIONS



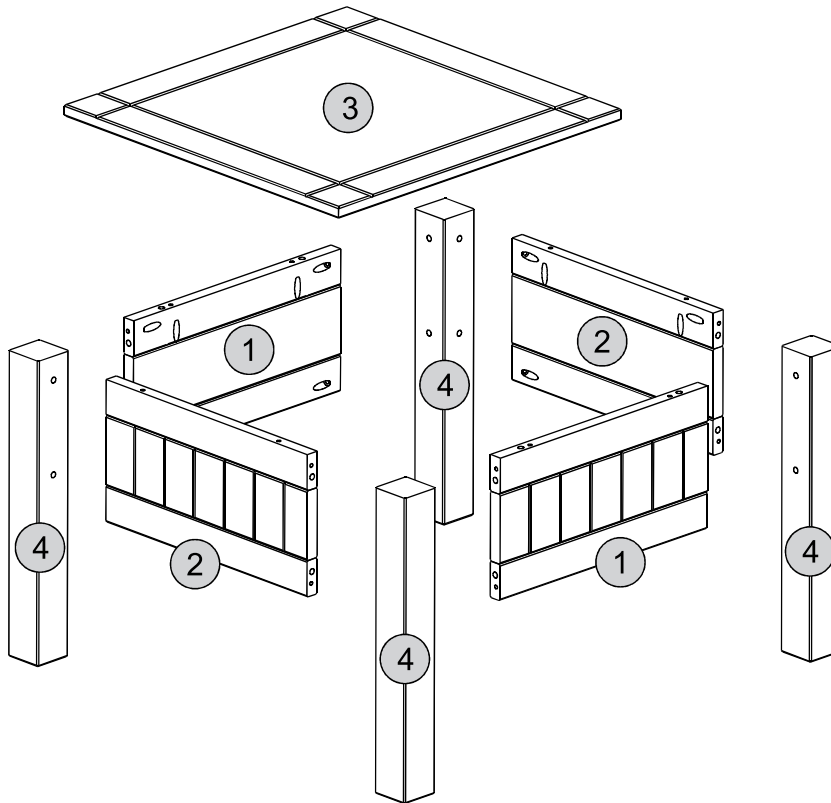
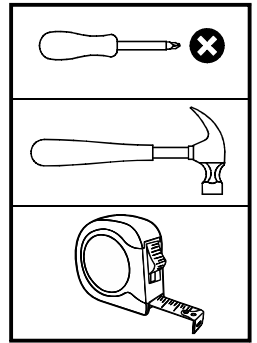
IMPORTANT FOR DOMESTIC USE ONLY

PLEASE READ BEFORE YOU CONTINUE FURTHER

CARE AND MAINTENANCE

- After unpacking this product please keep the original packaging in case it needs to be returned for any reason.
- Please ensure all fittings and parts are present before commencing with assembly.
 - Never drag or push products as this could cause damage to the joints making it inferior.
 - We strongly recommend that you keep children away from your work area.
 - We recommend that you lay a blanket or sheet on the floor to avoid damage to both your floor and the product.
 - Assemble this product as close to its final position as possible.
 - Do not place this product next to a radiator or in direct sunlight.
 - Do not drag or push items across your high gloss furniture as this may cause the surface to scratch
 - Wood is a natural product and may expand if subjected to damp and may shrink or crack if subjected to heat. Therefore it is recommended that room temperature is maintained, with no sudden temperature fluctuations.
 - Make sure any spillage is wiped off immediately.
 - Do not place hot or chilled items directly on to the surface, use a place mat or marking will occur.
 - For general cleaning use a soft cotton or micro fibre cloth, and do not use detergents of any kind.
 - From time to time it may be necessary to tighten fittings, regular inspections should be carried out.
 - Do not place on a wet or damp floor as staining may occur to your floor.

TOOLS REQUIRED

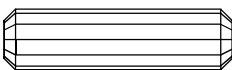
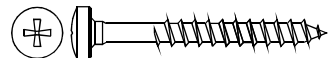


PARTS LIST

Please Note:
The below parts have all been stamped with the part number to help identify them during assembly.

Part Number	Part Code	Part Description	Quantity	Carton
1	S300-302-063-MY1-01	Front Frame	2	1/1
2	S300-302-063-MY1-02	Side Panel	2	1/1
3	S300-302-063-MY1-03	Top Panel	1	1/1
4	S300-302-063-MY1-04	Leg	4	1/1

FITTINGS LIST

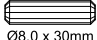
<p>A</p>  <p>+/2 Dowel Ø8,0 x 30mm (20x)</p>	<p>B</p>  <p>+/2 Pan Head Screw Ø3,5 x 35mm (24x)</p>
--	---

STEP 1

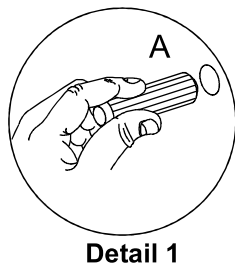
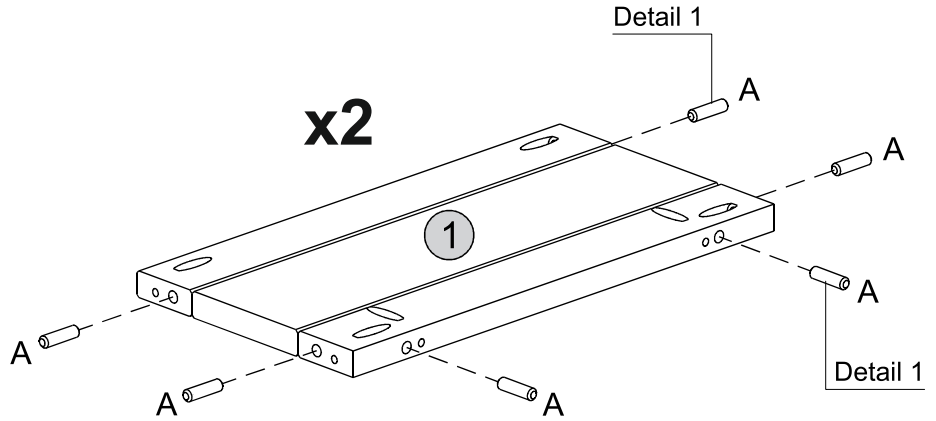
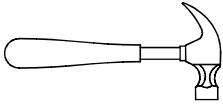
PARTS REQUIRED

1 - FRONT FRAME x2

HARDWARE REQUIRED

A  12
Ø8,0 x 30mm

TOOLS REQUIRED

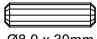


STEP 2

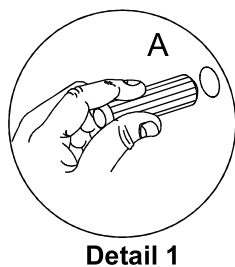
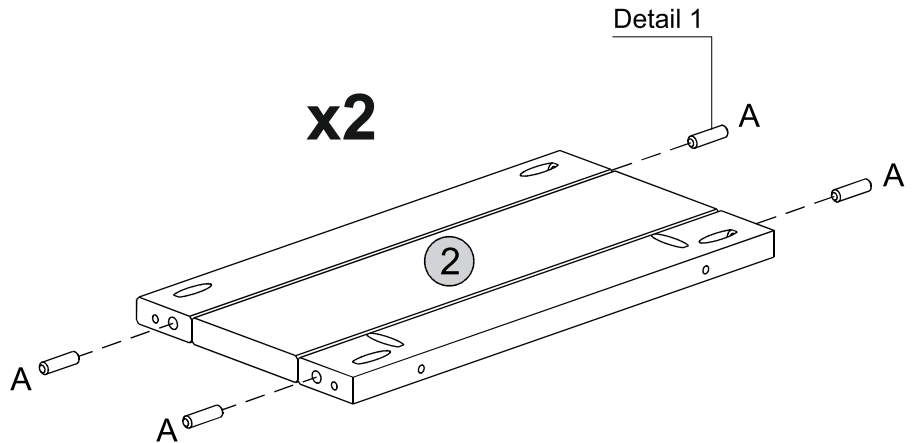
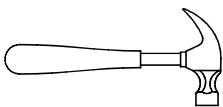
PARTS REQUIRED

2 - SIDE PANEL x2

HARDWARE REQUIRED

A  08
Ø8,0 x 30mm

TOOLS REQUIRED



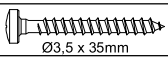
STEP 3

PARTS REQUIRED

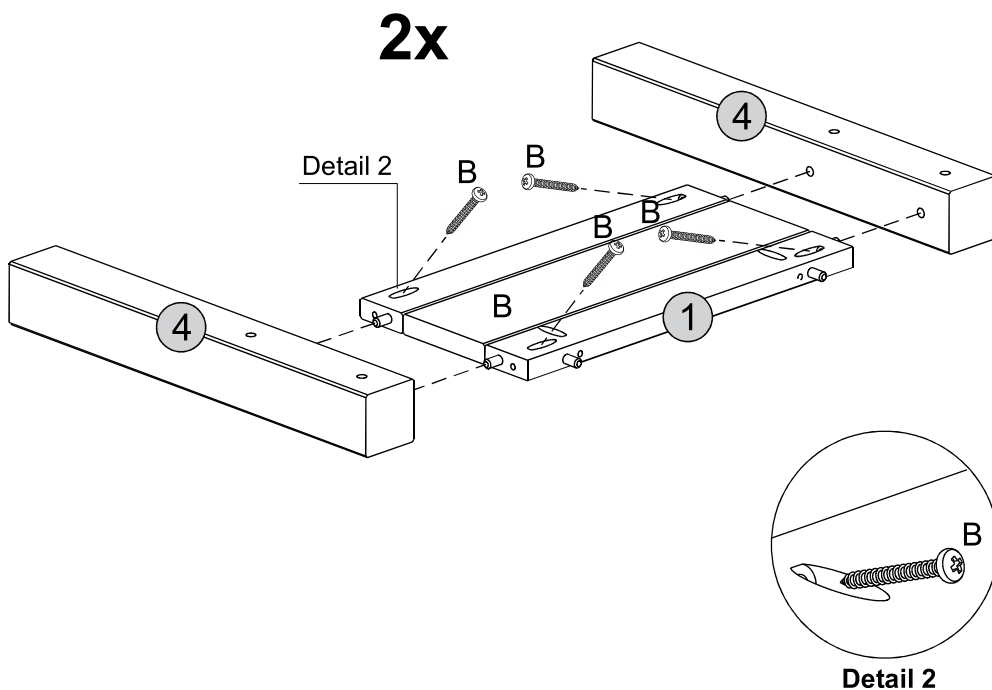
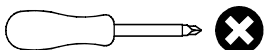
1 - FRONT FRAME x2

4 - LEG x4

HARDWARE REQUIRED

B  08
Ø3,5 x 35mm

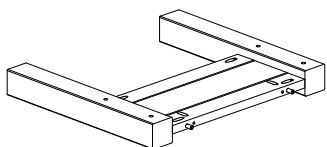
TOOLS REQUIRED



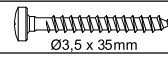
STEP 4

PARTS REQUIRED

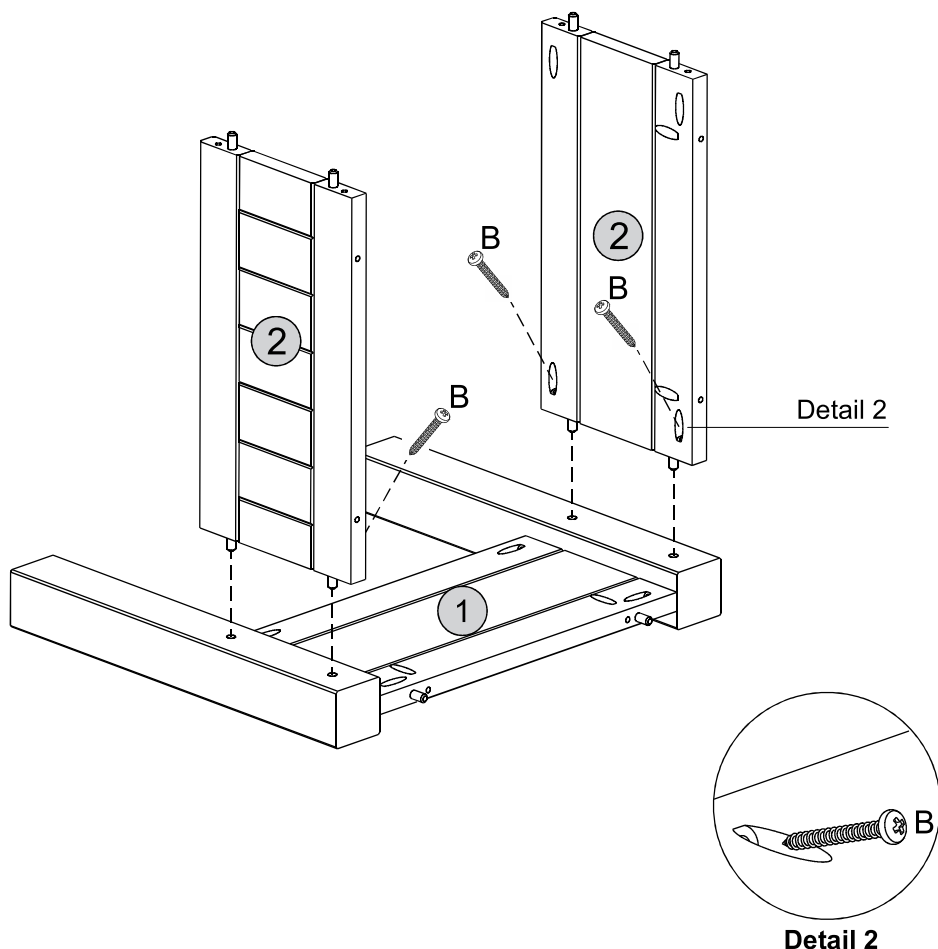
2 - SIDE PANEL x2



HARDWARE REQUIRED

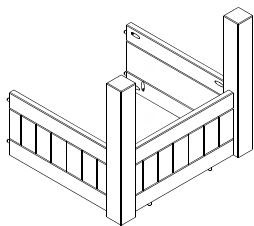
B  04
Ø3,5 x 35mm

TOOLS REQUIRED

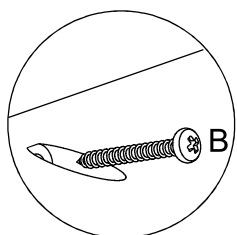
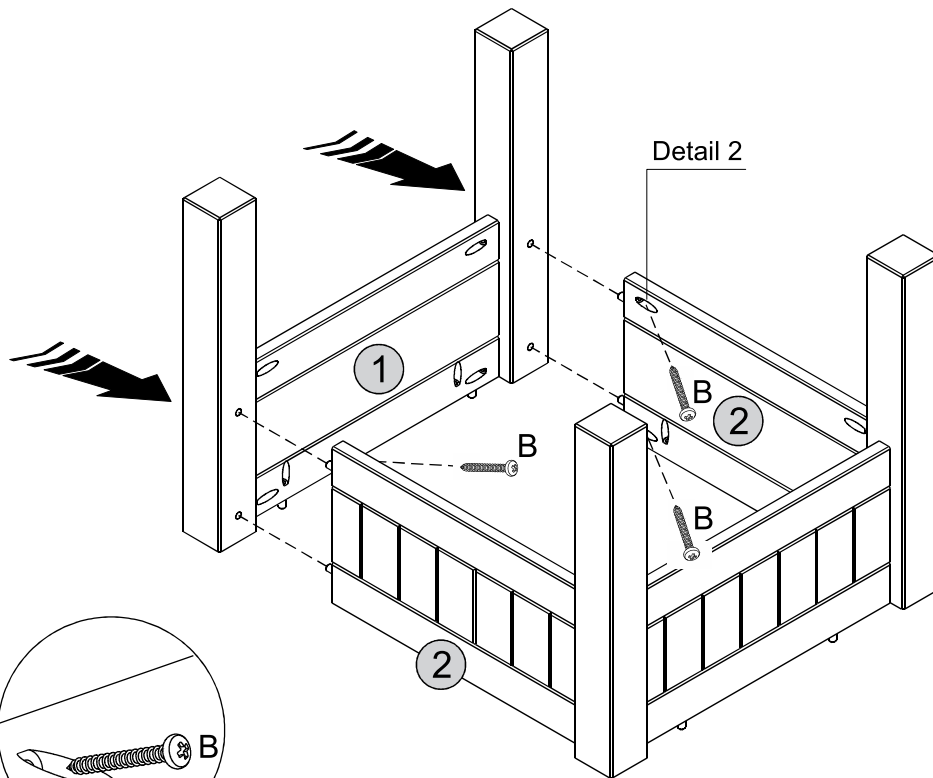
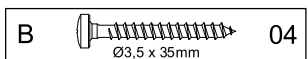


STEP 5

PARTS REQUIRED



HARDWARE REQUIRED

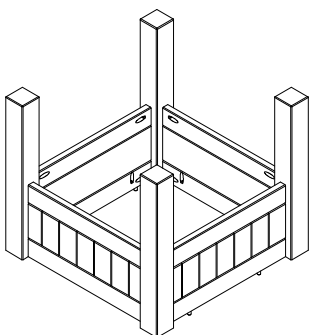


Detail 2

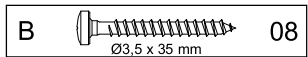
STEP 6

PARTS REQUIRED

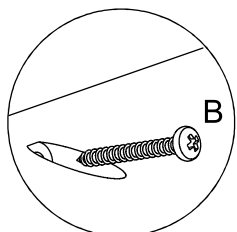
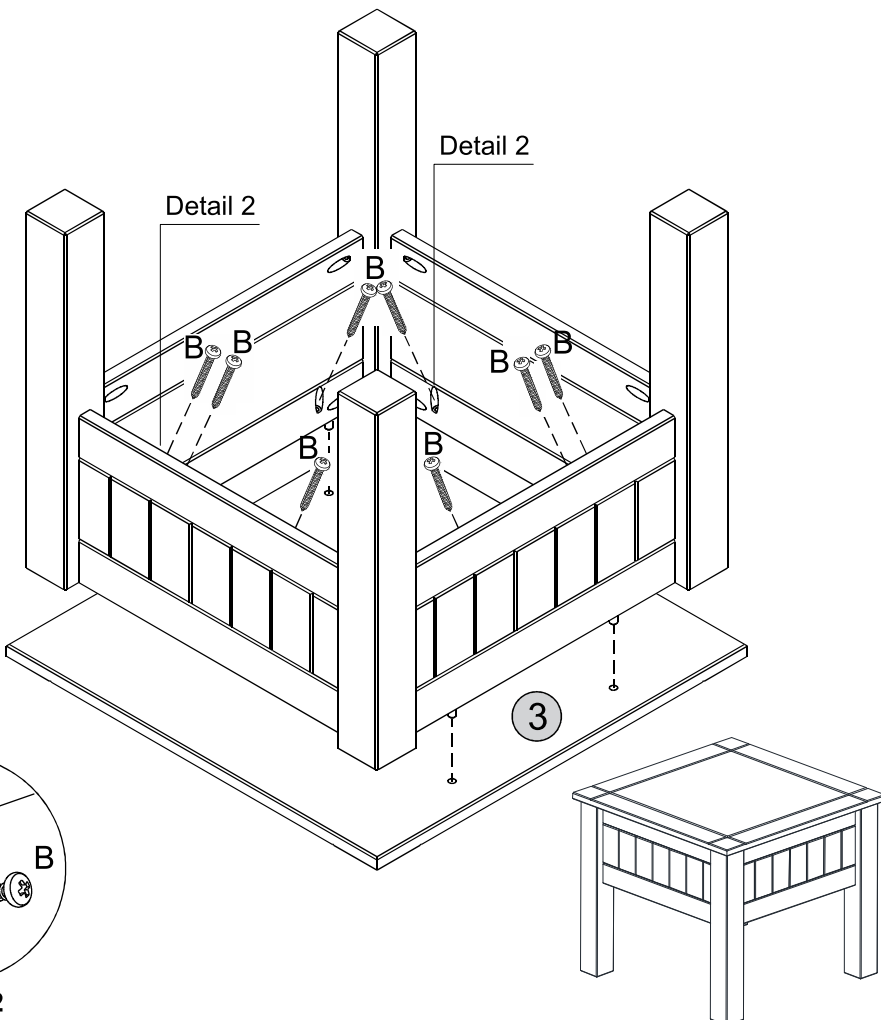
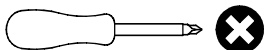
3 - TOP PANEL x1



HARDWARE REQUIRED



TOOLS REQUIRED



Detail 2