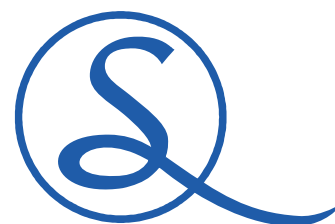
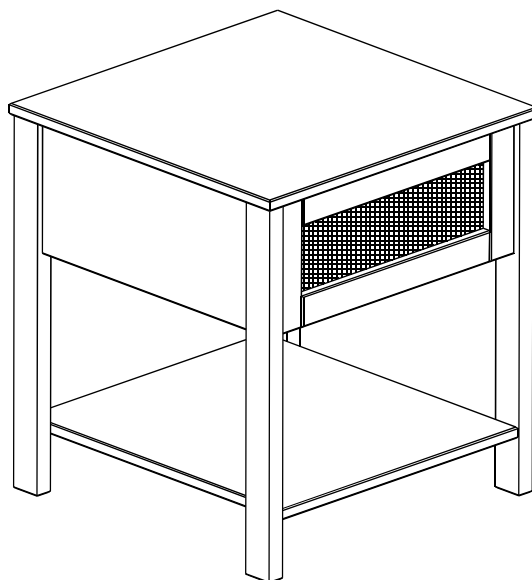


56420(MY)

CORONA RATTAN SIDE TABLE ASSEMBLY INSTRUCTIONS



IMPORTANT FOR DOMESTIC USE ONLY

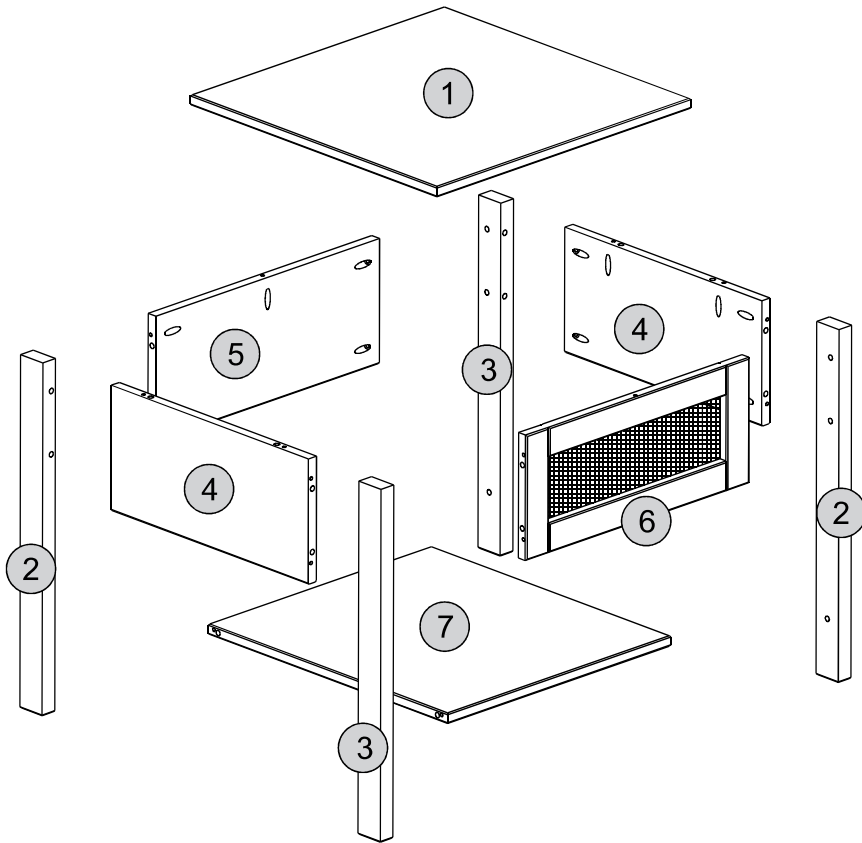
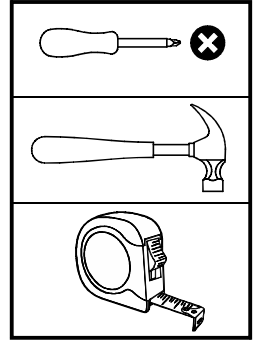
PLEASE READ BEFORE YOU CONTINUE FURTHER

CARE AND MAINTENANCE

After unpacking this product please keep the original packaging in case it needs to be returned for any reason.

- Please ensure all fittings and parts are present before commencing with assembly.
- Never drag or push products as this could cause damage to the joints making it inferior.
- We strongly recommend that you keep children away from your work area.
- We recommend that you lay a blanket or sheet on the floor to avoid damage to both your floor and the product.
- Assemble this product as close to its final position as possible.
- Do not place this product next to a radiator or in direct sunlight.
- Do not drag or push items across your high gloss furniture as this may cause the surface to scratch
- Wood is a natural product and may expand if subjected to damp and may shrink or crack if subjected to heat. Therefore it is recommended that room temperature is maintained, with no sudden temperature fluctuations.
- Make sure any spillage is wiped off immediately.
- Do not place hot or chilled items directly on to the surface, use a place mat or marking will occur.
- For general cleaning use a soft cotton or micro fibre cloth, and do not use detergents of any kind.
- From time to time it may be necessary to tighten fittings, regular inspections should be carried out.
- Do not place on a wet or damp floor as staining may occur to your floor.

TOOLS REQUIRED



PARTS LIST

Please Note:
The below parts have all been stamped with the part number to help identify them during assembly.

Part Number	Part Code	Part Description	Quantity	Carton
1	S300-302-064-MY1-01	Top Panel	1	1/1
2	S300-302-064-MY1-02	Right Front Leg/Left Back Leg	2	1/1
3	S300-302-064-MY1-03	Left Front Leg/Right Back Leg	2	1/1
4	S300-302-064-MY1-04	Side Panel	2	1/1
5	S300-302-064-MY1-05	Back Panel	1	1/1
6	S300-302-064-MY1-06	Front Frame	1	1/1
7	S300-302-064-MY1-07	Shelf Panel	1	1/1

FITTINGS LIST


A		B		C	
+2	Dowel Ø8,0 x 30mm (24x)	+2	Pan Head Screw Ø3,5 x 30mm (26x)		Glue (1x)

STEP 1

PARTS REQUIRED

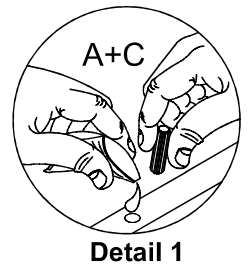
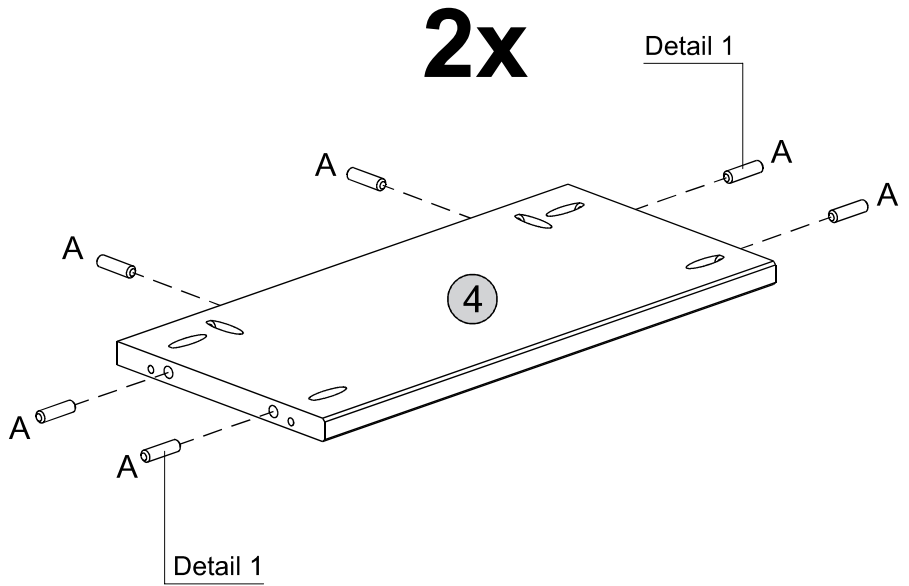
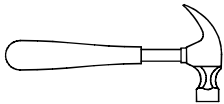
4 - Side Panel x2

HARDWARE REQUIRED

A  12
Ø8,0 x 30mm

C  01
Glue

TOOLS REQUIRED



STEP 2


PARTS REQUIRED


5 - Back Panel x1

6 - Front Frame x1

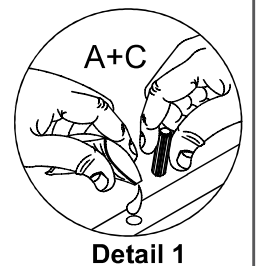
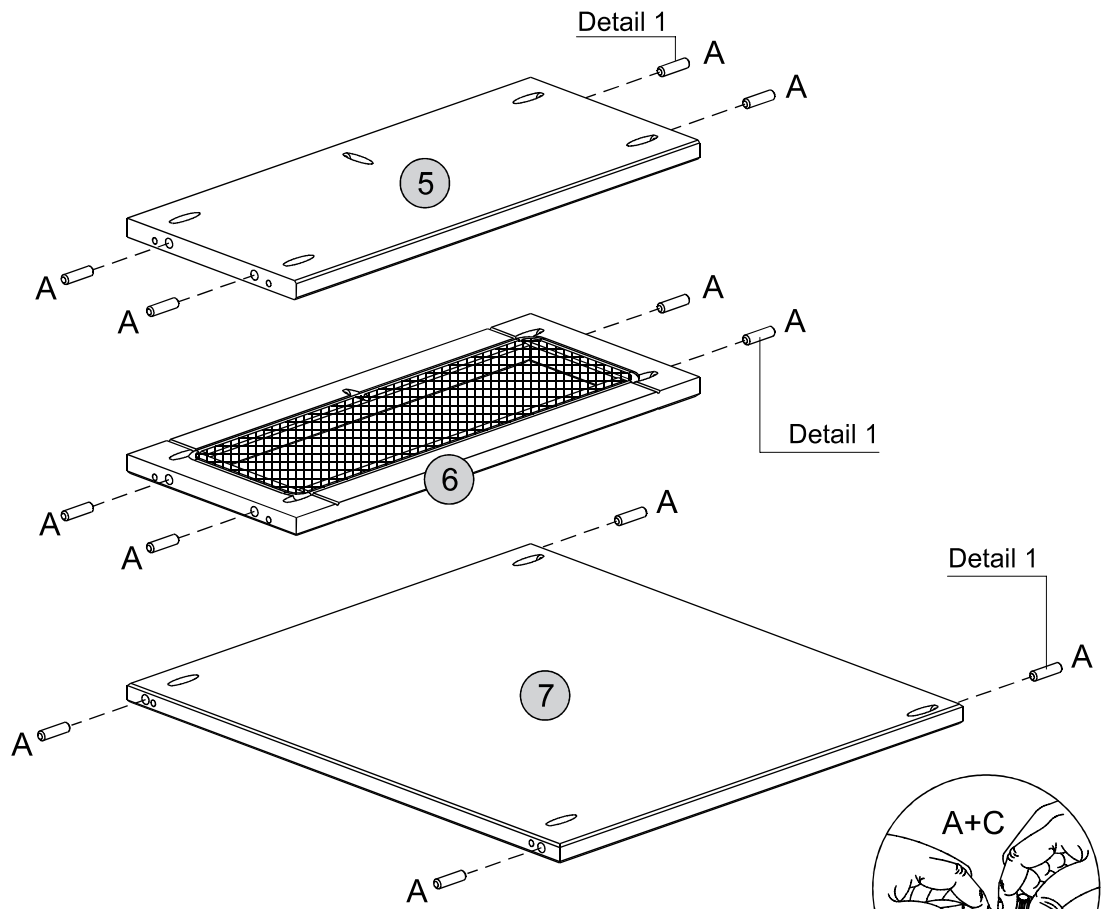
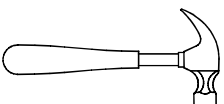
7 - Shelf Panel x1

HARDWARE REQUIRED

A  12
Ø8,0 x 30mm

C  01
Glue

TOOLS REQUIRED



STEP 3


PARTS REQUIRED


2 - Right Front Leg/Left Back Leg x2

3 - Left Front Leg/Right Back Leg x2

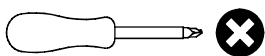
4 - Side Panel x2

HARDWARE REQUIRED

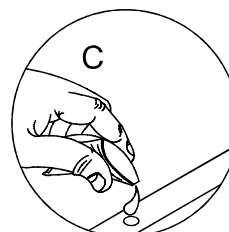
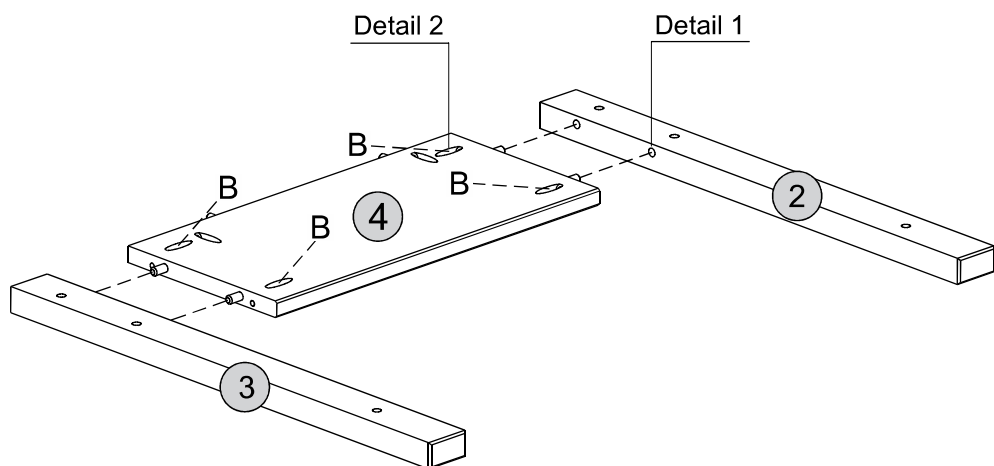
B  08
Ø3,5 x 30mm

C  01
Glue

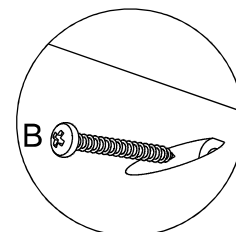
TOOLS REQUIRED



2x



Detail 1



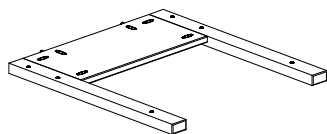
Detail 2

STEP 4


PARTS REQUIRED

5 - Back Panel x1

6 - Front Frame x1

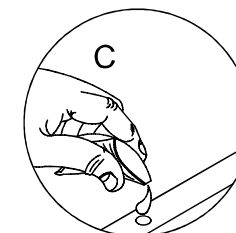
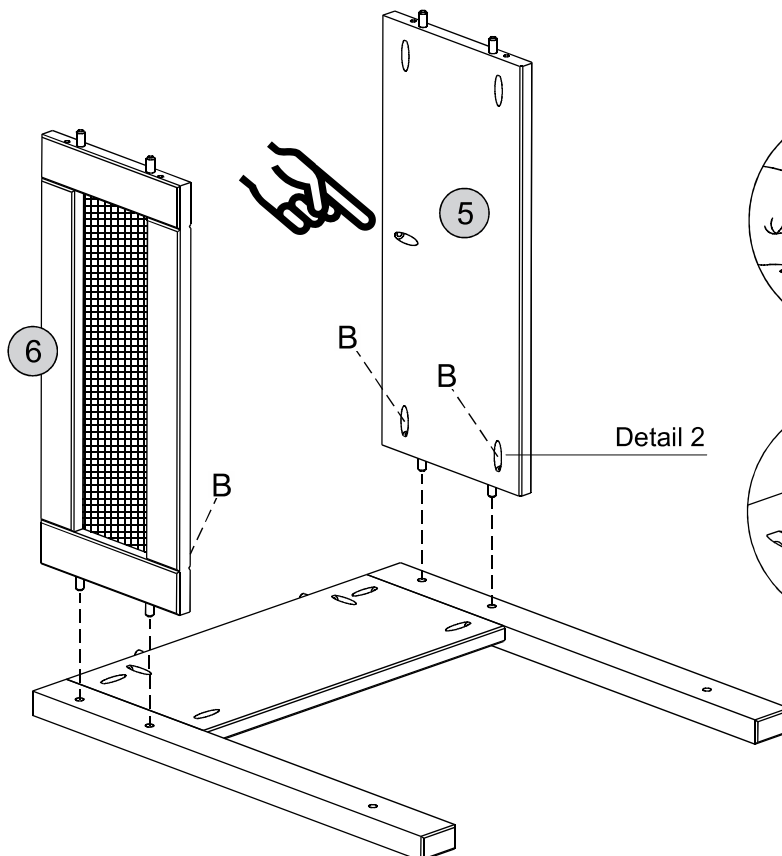
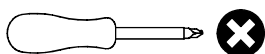


HARDWARE REQUIRED

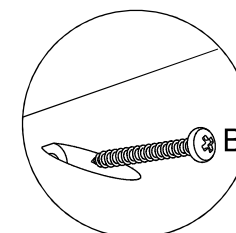
B  04
Ø3,5 x 30mm

C  01
Glue

TOOLS REQUIRED



Detail 1

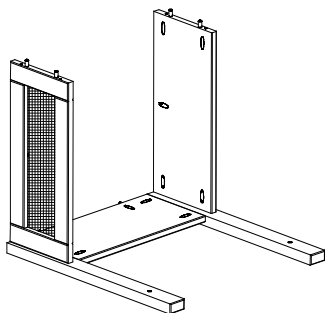


Detail 2


STEP 5

PARTS REQUIRED

7 - Shelf Panel x1

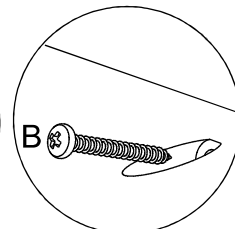
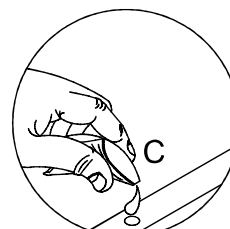
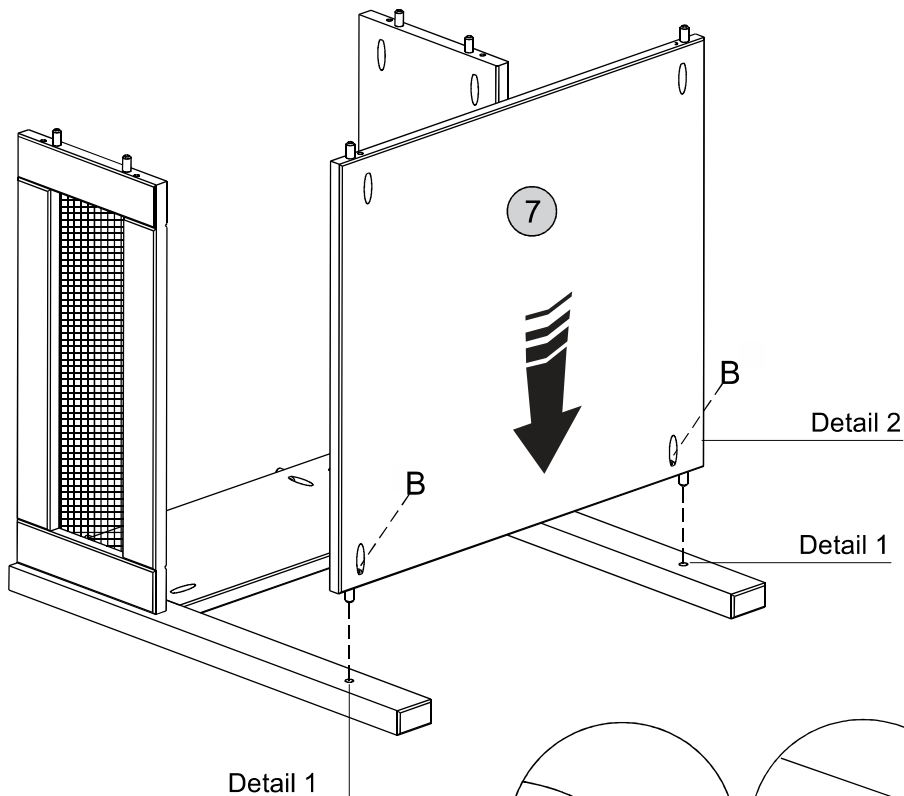
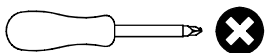


HARDWARE REQUIRED

B  02
Ø3,5 x 30mm

C  01
Glue

TOOLS REQUIRED

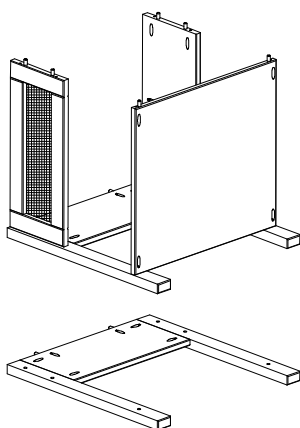


Detail 1


Detail 2

STEP 6

PARTS REQUIRED

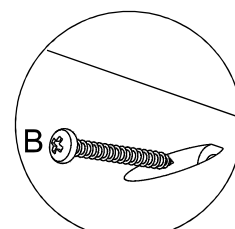
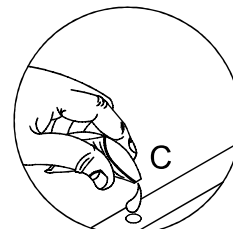
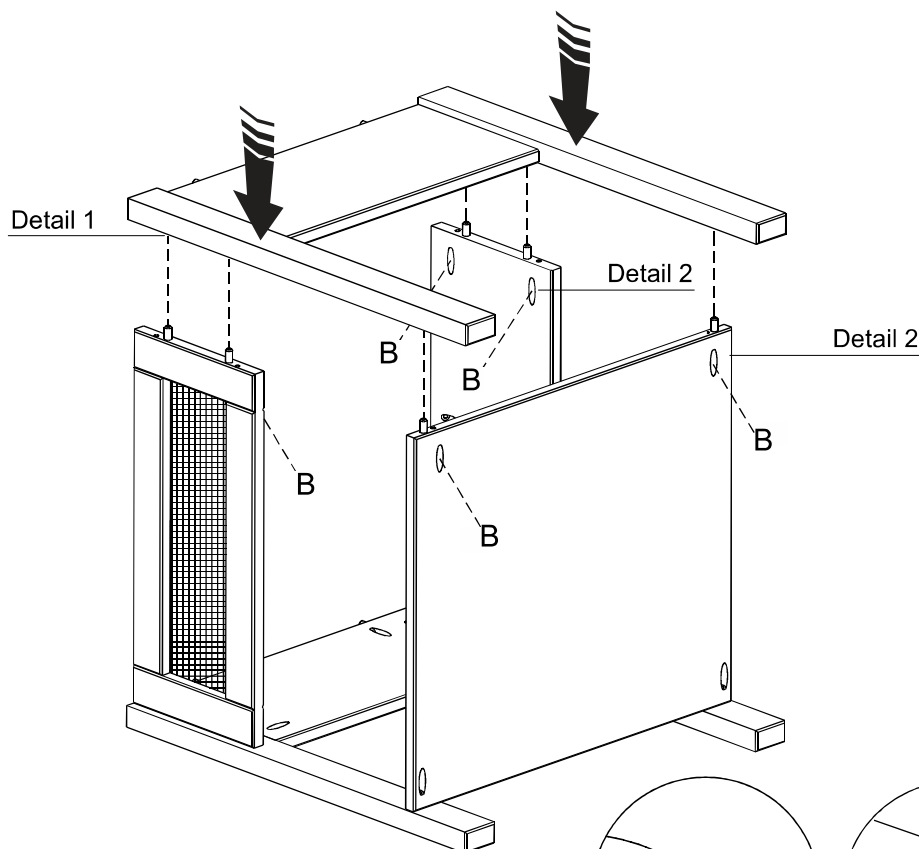
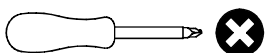


HARDWARE REQUIRED

B  06
Ø3,5 x 30mm

C  01
Glue

TOOLS REQUIRED



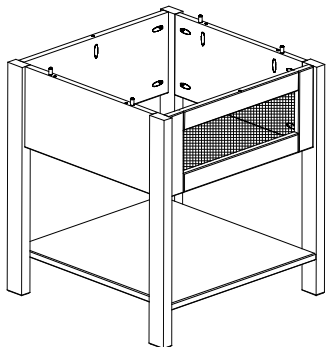
Detail 1

Detail 2


STEP 7

PARTS REQUIRED

1 - Top Panel x1

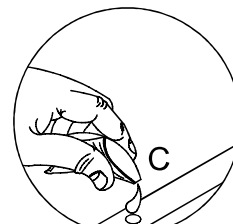
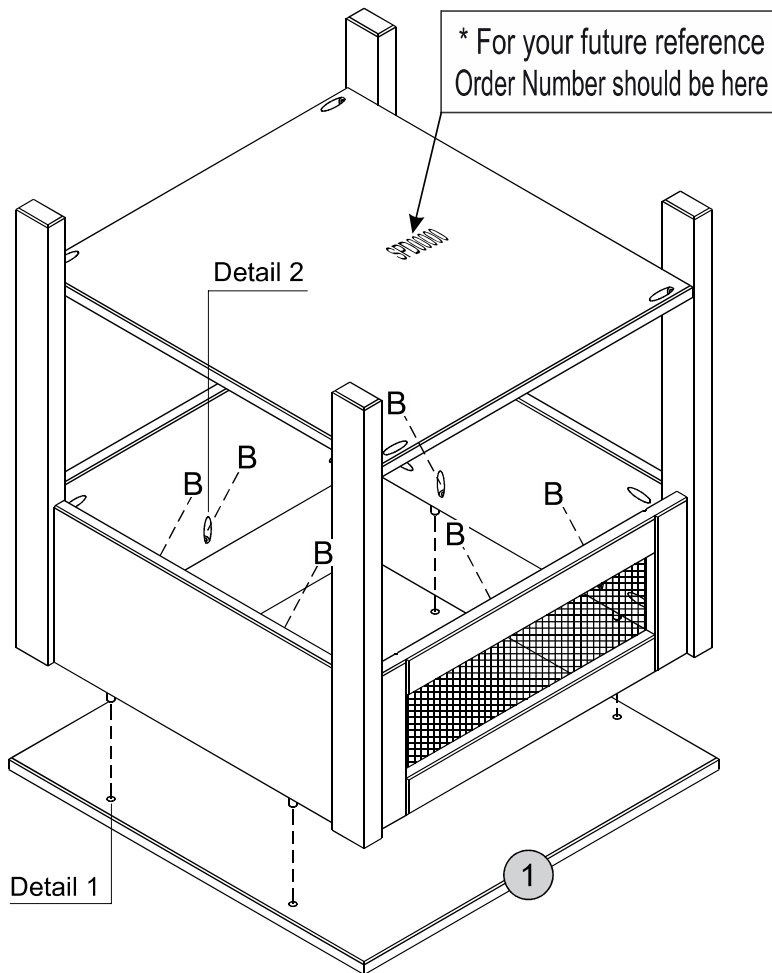
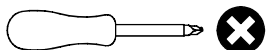


HARDWARE REQUIRED

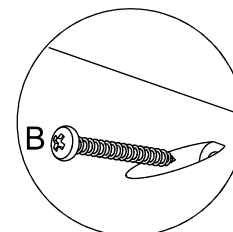
B  06
Ø3,5 x 30mm

C  01
Glue

TOOLS REQUIRED



Detail 1



Detail 2

STEP 8

