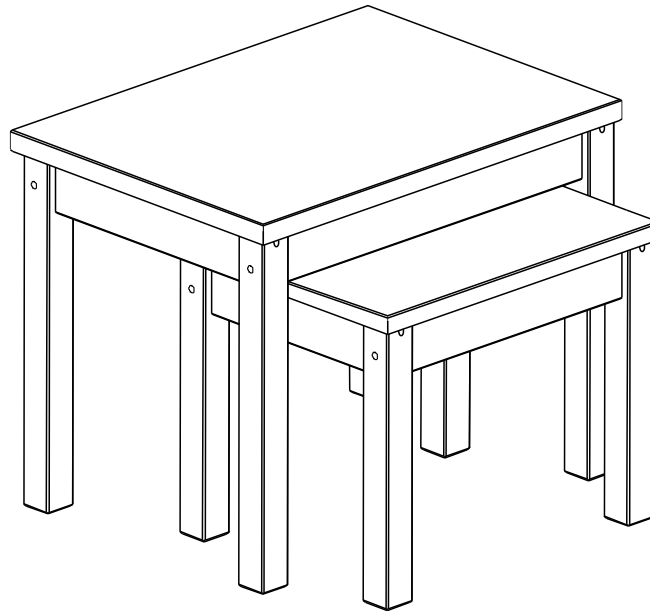


# TORTILLA NEST OF 2 TABLES ASSEMBLY INSTRUCTIONS

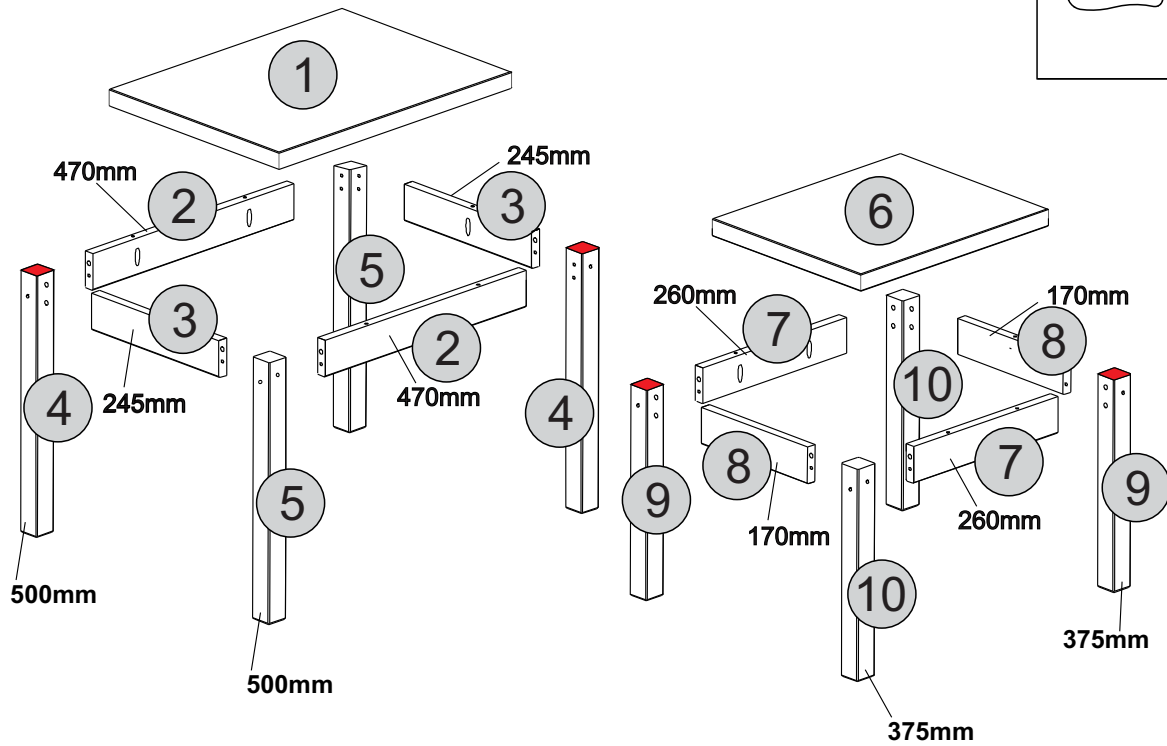
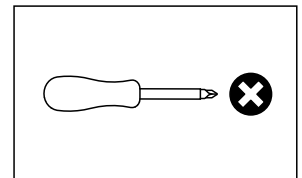


## **IMPORTANT** **FOR DOMESTIC USE ONLY** **PLEASE READ BEFORE YOU CONTINUE FURTHER** **CARE AND MAINTENANCE**

After unpacking this product please keep the original packaging in case it needs to be returned for any reason.

- Please ensure all fittings and parts are present before commencing with assembly.
- We recommend that you lay a blanket or sheet on the floor to avoid damage to both your floor and the product.
- We strongly recommend that you keep children away from your work area.
- Assemble this product as close to its final position as possible.
- Never drag or push products as this could cause damage to the joints making it inferior.
- Do not place this product next to a radiator or in direct sunlight.
- Wood is a natural product and may expand if subjected to damp and may shrink or crack if subjected to heat. Therefore it is recommended that room temperature is maintained, with no sudden temperature fluctuations.
- Make sure any spillage is wiped off immediately.
- Do not place hot or chilled items directly on to the surface, use a place mat or marking will occur.
- For general cleaning use a duster, and do not use detergents of any kind. However, the surface will need to be retreated from time to time. This can be done by using block wax (unperfumed) and rubbing it over the whole item.
- From time to time it may be necessary to tighten fittings, regular inspections should be carried out.

**TOOLS REQUIRED**



**Please Note:**  
The below parts have been number/colour coded to help identify them during assembly.

**PARTS LIST**

Part Number	Part Code	Part Description	Quantity	Carton
1	S300-303-017-PJ1-01	Top Panel (Large)	1	1/1
2	S300-303-017-PJ1-02	Front/Rear Panel (Large)	2	1/1
3	S300-303-017-PJ1-03	Side Panel (Large)	2	1/1
4	S300-303-017-PJ1-04	Leg (Large) (Red Marking)	2	1/1
5	S300-303-017-PJ1-05	Leg (Large)	2	1/1
6	S300-303-017-PJ1-06	Top Panel (Small)	1	1/1
7	S300-303-017-PJ1-07	Front/Rear Panel (Small)	2	1/1
8	S300-303-017-PJ1-08	Side Panel (Small)	2	1/1
9	S300-303-017-PJ1-09	Leg (Small) (Red Marking)	2	1/1
10	S300-303-017-PJ1-10	Leg (Small)	2	1/1

**HARDWARE LIST**

A	1/+ Ø4,0 x 40CP	10	D	GLUE	01
B	1/+ Ø7,0x90	16	E	1/+ Wooden Cap	16
C		01	F	2/+ 8,0x50	16

# STEP 1

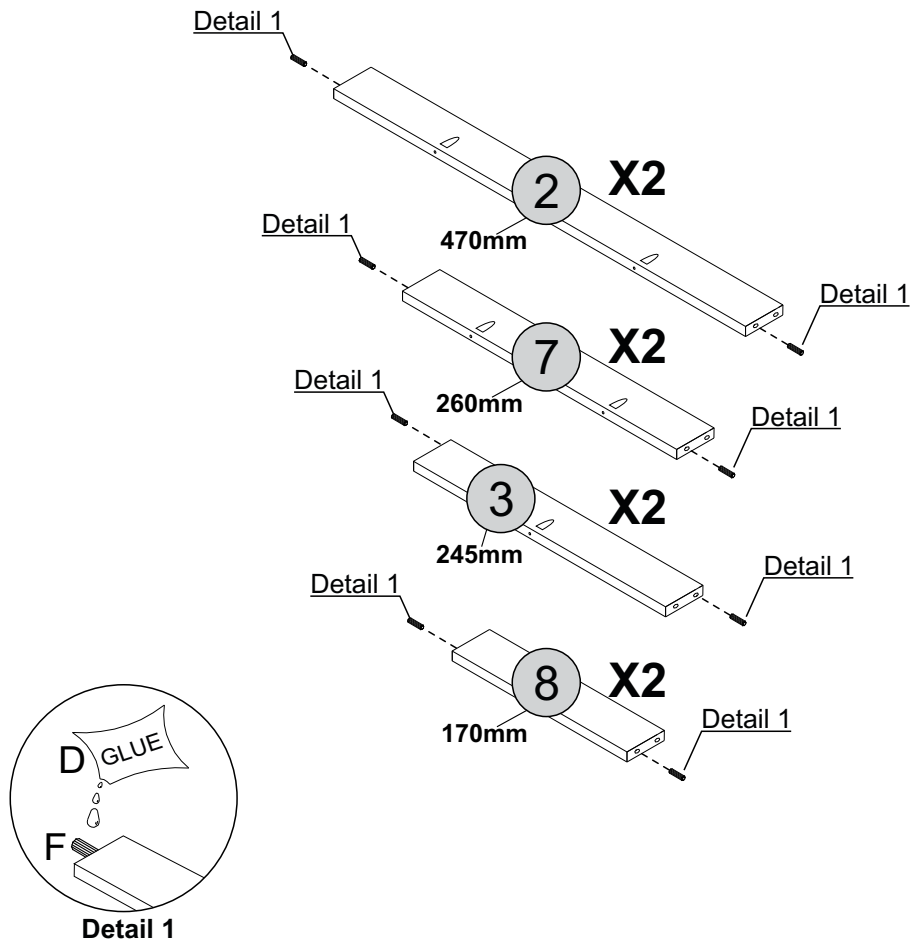
## PARTS REQUIRED

- 2 - FRONT/REAR PANEL (LARGE) x2
- 3 - SIDE PANEL (LARGE) x2
- 7 - FRONT REAR PANEL (SMALL) x2
- 8 - SIDE PANEL (SMALL) x2

## HARDWARE REQUIRED

- D  01
- F  16

## TOOLS REQUIRED





# STEP 2

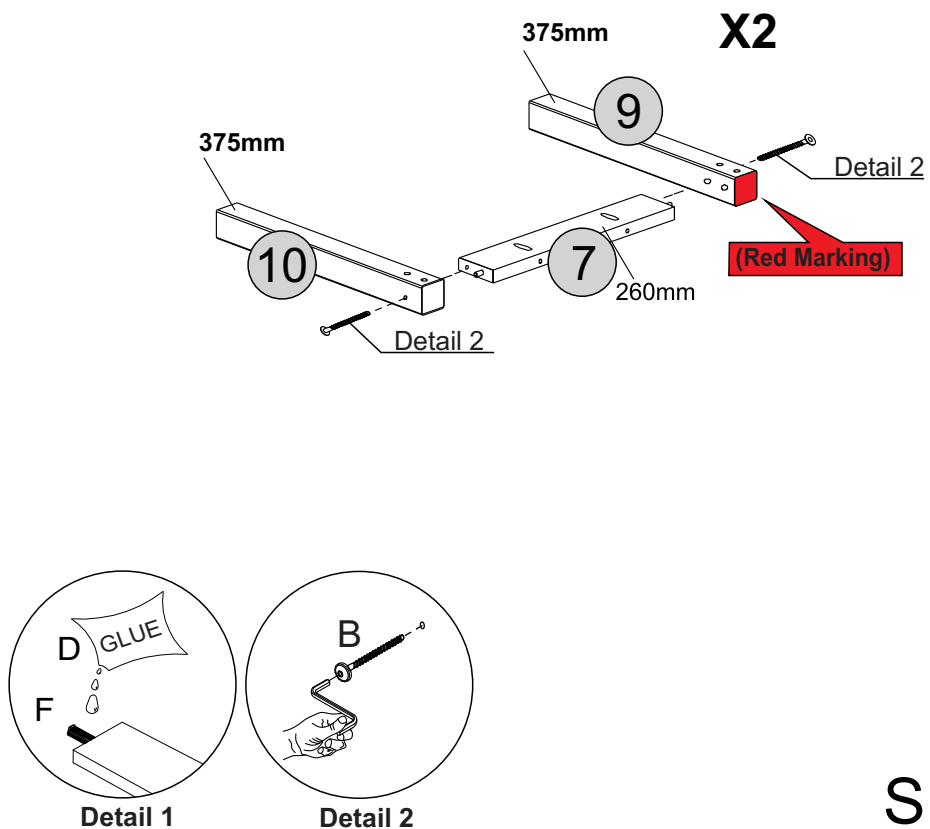
## PARTS REQUIRED

- 7 - FRONT/REAR PANEL (SMALL) x2
- 9 - LEG (SMALL) (RED MARKING) x2
- 10- LEG (SMALL) x2

## HARDWARE REQUIRED

- B  04
- D  01

## TOOLS REQUIRED

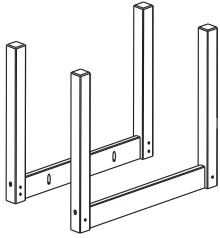


**SMALL**


# STEP 3

## PARTS REQUIRED

8 - SIDE PANEL (SMALL) x2

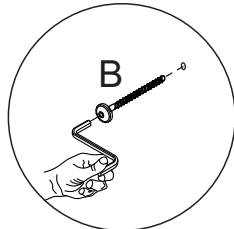
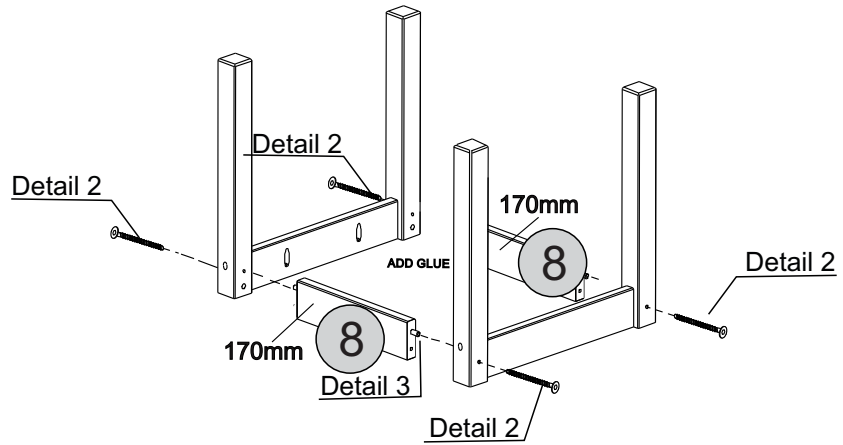


## HARDWARE REQUIRED

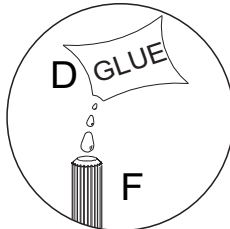
B  04  
Ø7,0x70 mm

D  01  
GLUE

## TOOLS REQUIRED



Detail 2



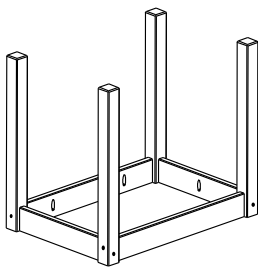
Detail 3

**SMALL**


# STEP 4


## PARTS REQUIRED

6 - TOP PANEL (SMALL) x1

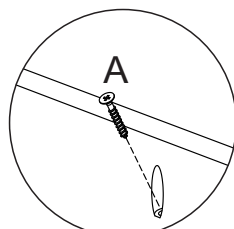
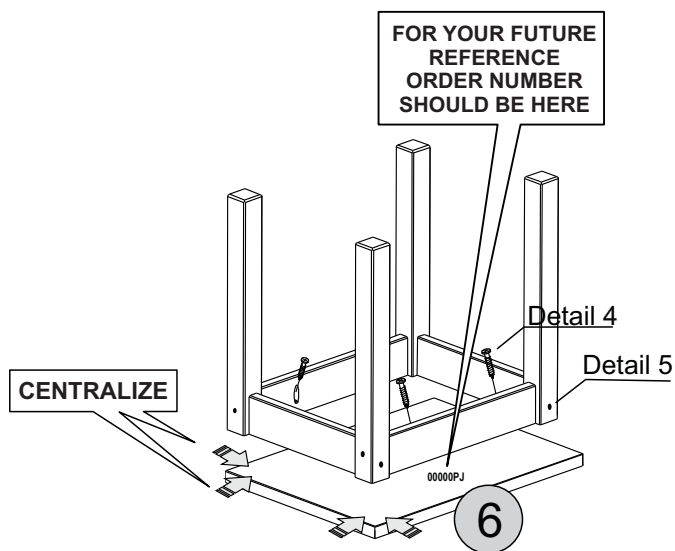
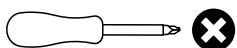


## HARDWARE REQUIRED

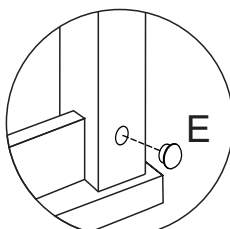
A  04  
Ø4,0 x 40CP

E  08  
Wooden Cap

## TOOLS REQUIRED



Detail 4



Detail 5

**SMALL**

# STEP 5


## PARTS REQUIRED

2 - FRONT/REAR PANEL (LARGE) x2

4 - LEG (SMALL) (RED MARKING) x2

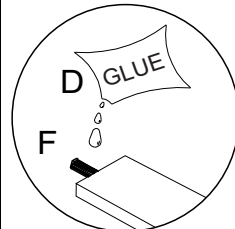
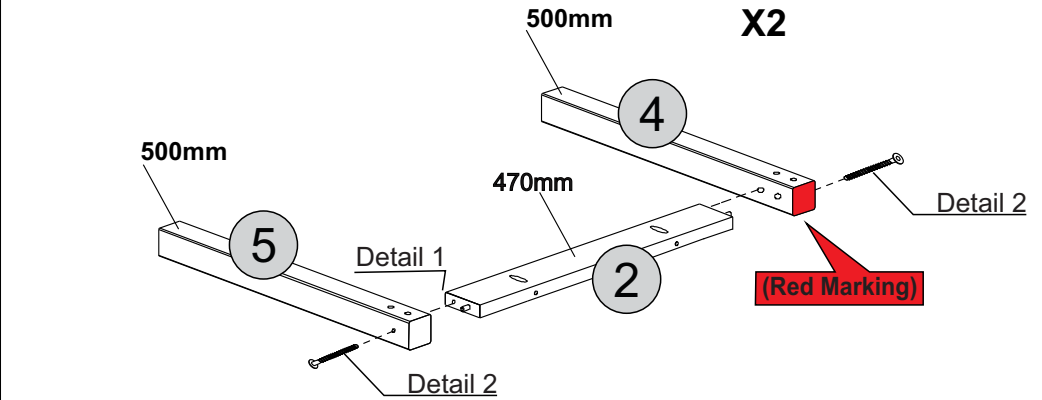
5 - LEG (SMALL) x2

## HARDWARE REQUIRED

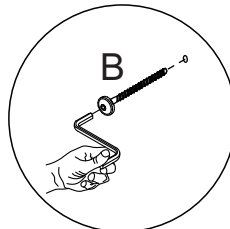
B  04  
Ø7,0x70 mm

D  01  
GLUE

## TOOLS REQUIRED



Detail 1



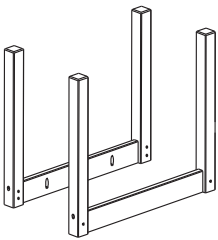
Detail 2

LARGE


# STEP 6

## PARTS REQUIRED

3 - SIDE PANEL (LARGE) x2

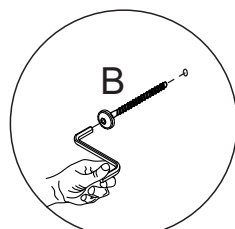
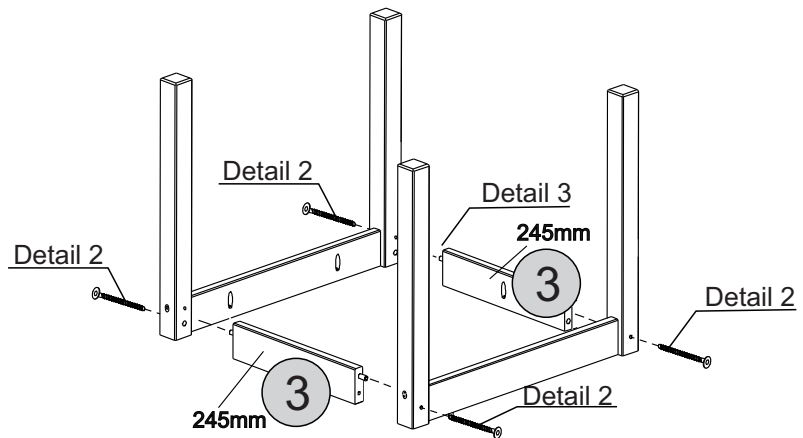


## HARDWARE REQUIRED

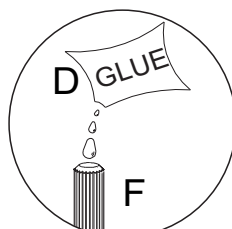
B  04  
Ø7,0x70 mm

D  01  
GLUE

## TOOLS REQUIRED



Detail 2



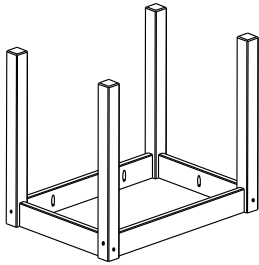
Detail 3

SMALL


# STEP 7


PARTS REQUIRED

1 - TOP PANEL (LARGE) x1

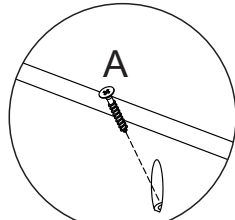
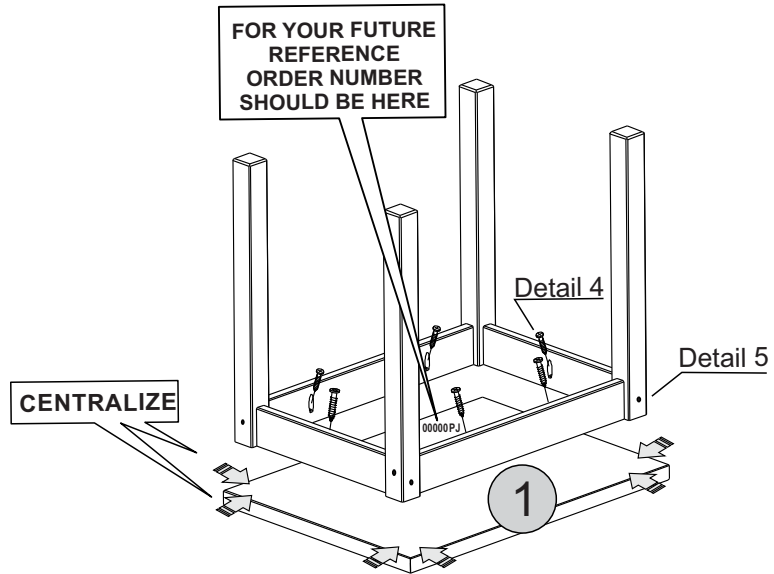
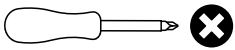


HARDWARE REQUIRED

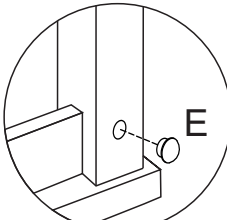
A  06  
Ø4,0 x 40CP

E  Wooden Cap 08

TOOLS REQUIRED



Detail 4



Detail 5

**LARGE**

# STEP 8

PARTS REQUIRED

HARDWARE REQUIRED

TOOLS REQUIRED

