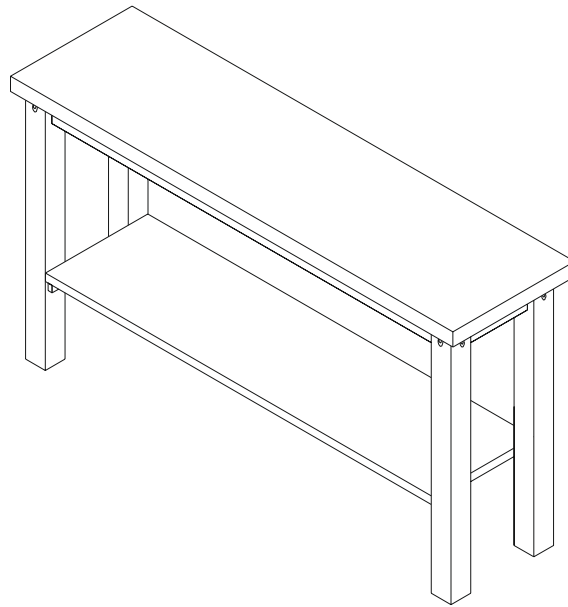


# TORTILLA CONSOLE TABLE ASSEMBLY INSTRUCTIONS

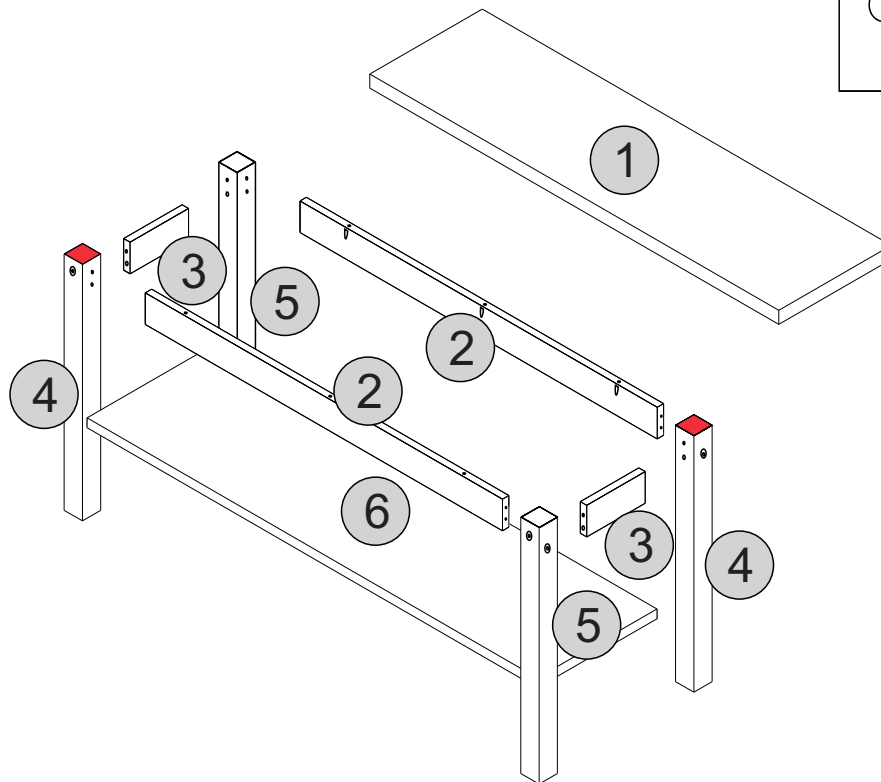
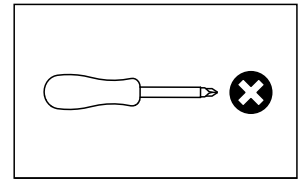


## **IMPORTANT FOR DOMESTIC USE ONLY PLEASE READ BEFORE YOU CONTINUE FURTHER CARE AND MAINTENANCE**

After unpacking this product please keep the original packaging in case it needs to be returned for any reason.

- Please ensure all fittings and parts are present before commencing with assembly.
- We recommend that you lay a blanket or sheet on the floor to avoid damage to both your floor and the product.
- We strongly recommend that you keep children away from your work area.
- Assemble this product as close to its final position as possible.
- Never drag or push products as this could cause damage to the joints making it inferior.
- Do not place this product next to a radiator or in direct sunlight.
- Wood is a natural product and may expand if subjected to damp and may shrink or crack if subjected to heat. Therefore it is recommended that room temperature is maintained, with no sudden temperature fluctuations.
- Make sure any spillage is wiped off immediately.
- Do not place hot or chilled items directly on to the surface, use a place mat or marking will occur.
- For general cleaning use a duster, and do not use detergents of any kind. However, the surface will need to be retreated from time to time. This can be done by using block wax (unperfumed) and rubbing it over the whole item.
- From time to time it may be necessary to tighten fittings, regular inspections should be carried out.

TOOLS REQUIRED














**Please Note:**  
The below parts have been number/colour coded to help identify them during assembly.

**PARTS LIST**

Part Number	Part Code	Part Description	Quantity	Carton
1	S300-304-007-PJ1-01	Table Top	1	1/2
2	S300-304-007-PJ1-02	Long Frame Side	2	1/2
3	S300-304-007-PJ1-03	Short Frame Side	2	1/2
4	S300-304-007-PJ1-04	Table Leg (Red Marking)	2	2/2
5	S300-304-007-PJ1-05	Table Leg	2	2/2
6	S300-304-007-PJ1-06	Shelf	1	1/2

**HARDWARE LIST**


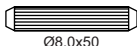
A	 $\text{Ø}4,0 \times 40\text{CP}$	06	E	 Wooden Cap	08	I	 Strap (Anti-Tip Kit)	01
B	 $\text{Ø}7,0 \times 100$	08	F	 $\text{Ø}8,0 \times 50$	08	J	 $\text{Ø}3,5 \times 30$	01
C		01	G	 Shelf Bracket	04	K	 Washer (Anti-Tip Kit)	02
D	 GLUE	01	H	 $\text{Ø}4,0 \times 30\text{CP}$	08			

# STEP 1

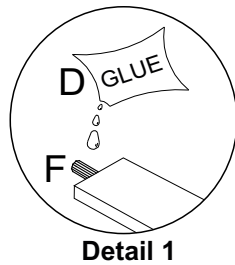
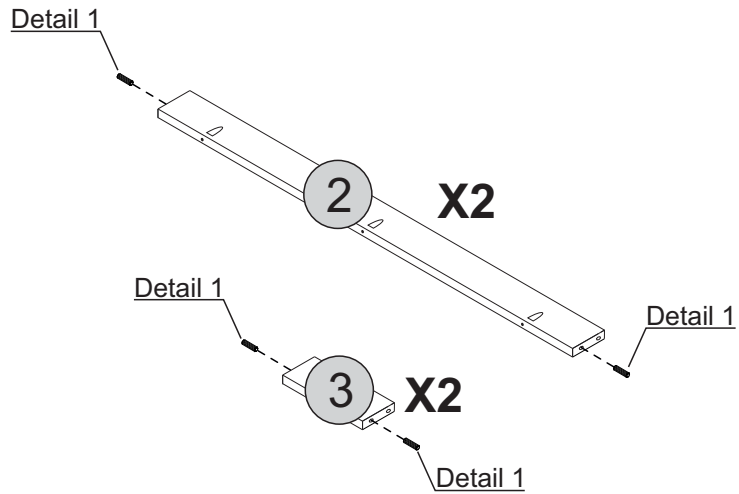
## PARTS REQUIRED

2 - LONG FRAME SIDE	x2
3 - SHORT FRAME SIDE	x2

## HARDWARE REQUIRED

D	 GLUE	01
F	 Ø8,0x50	08

## TOOLS REQUIRED





# STEP 2

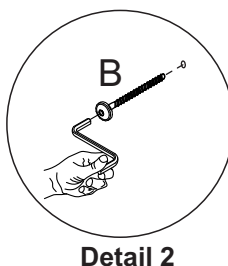
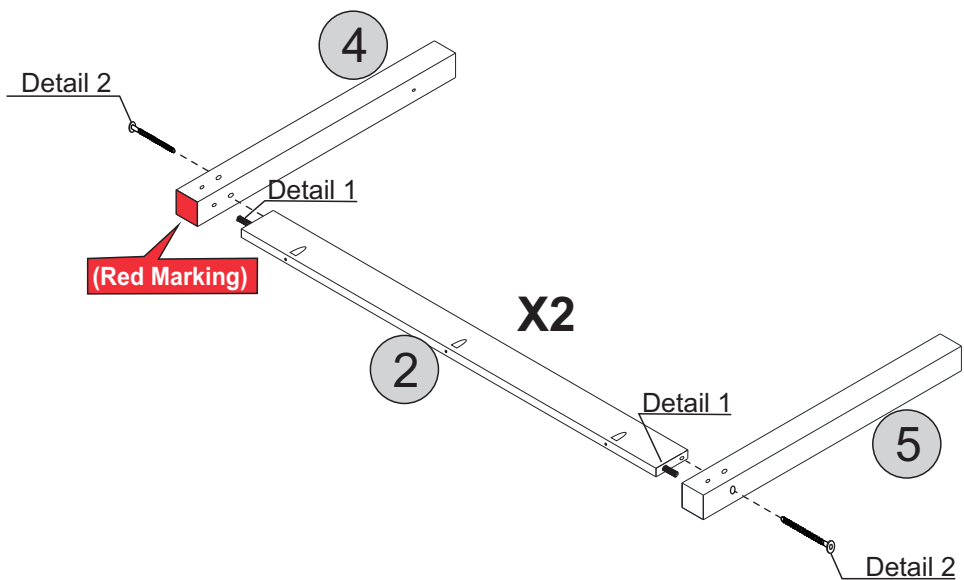
## PARTS REQUIRED

2 - LONG FRAME SIDE	x2
4 - TABLE LEG (RED MARKING)	x2
5 - TABLE LEG	x2

## HARDWARE REQUIRED

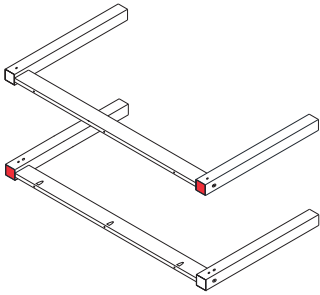
B	 Ø7,0x110	04
D	 GLUE	01

## TOOLS REQUIRED





# STEP 3

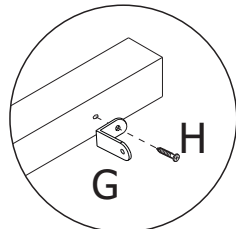
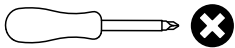
## PARTS REQUIRED



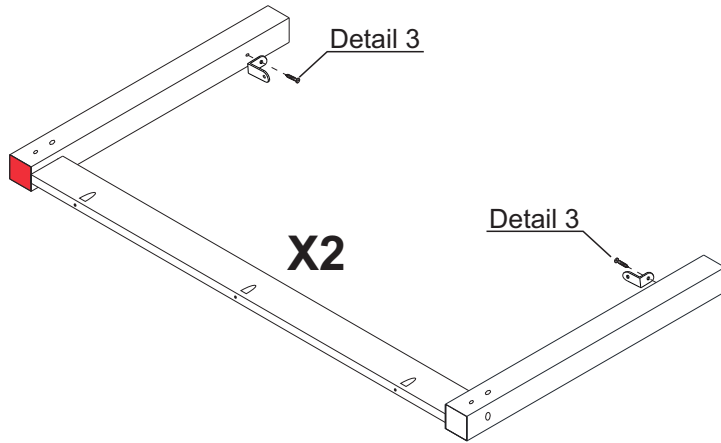
## HARDWARE REQUIRED

G	 Shelf Bracket	04
H	 Ø4,0 x 30CP	04

## TOOLS REQUIRED



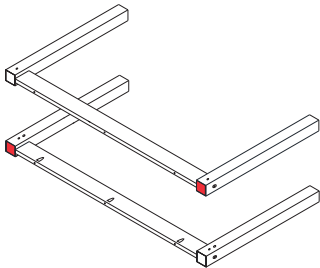
Detail 3





# STEP 4

## PARTS REQUIRED

3 - SHORT FRAME SIDE	x2
----------------------	----



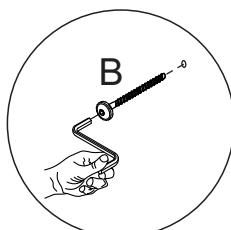
## HARDWARE REQUIRED

B	 Ø7,0x100	04
D	 GLUE	01

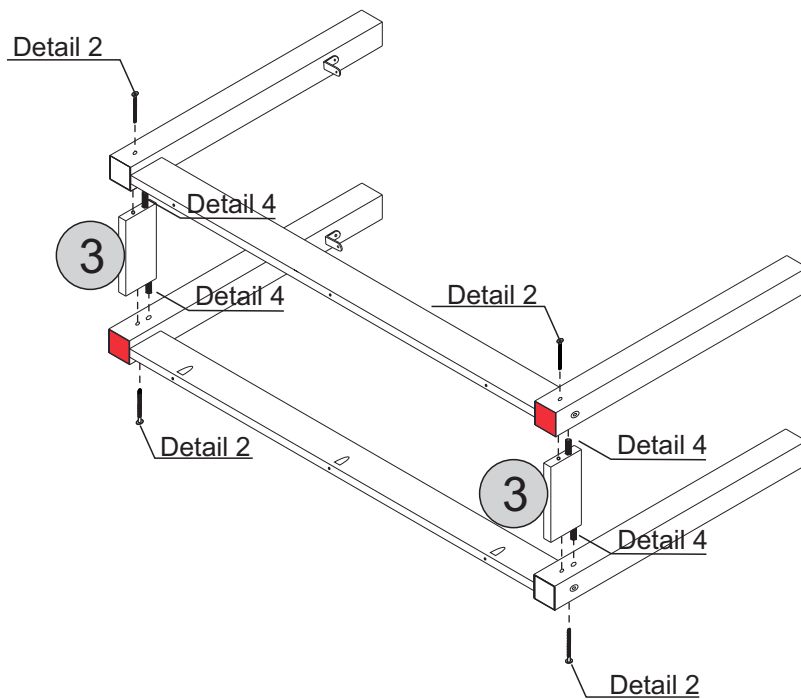
## TOOLS REQUIRED



Detail 4



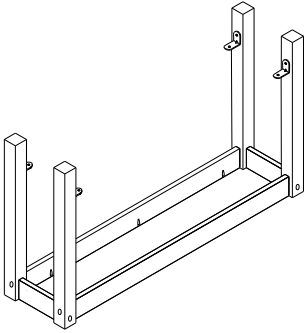
Detail 2




# STEP 5

## PARTS REQUIRED

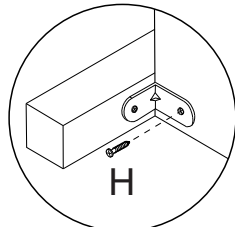
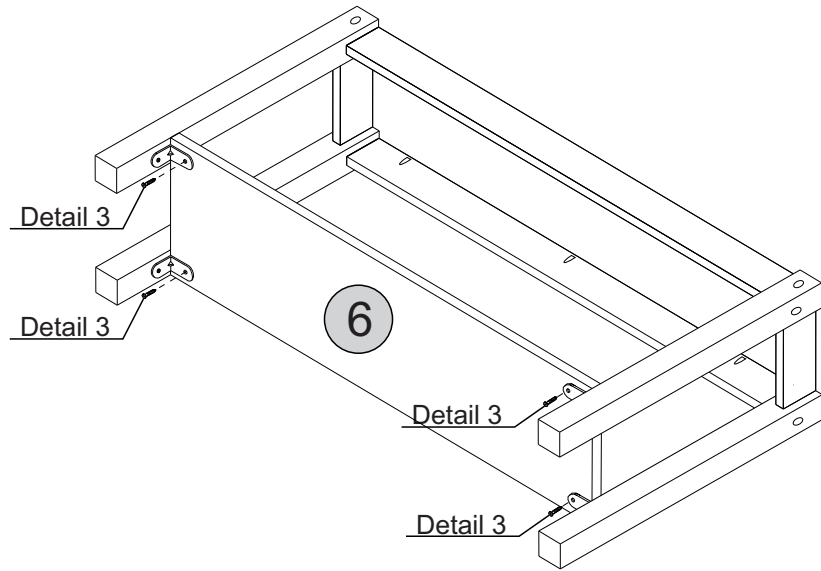
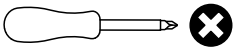
6 - SHELF x1



## HARDWARE REQUIRED

H  04  
Ø4,0 x 30CP

## TOOLS REQUIRED

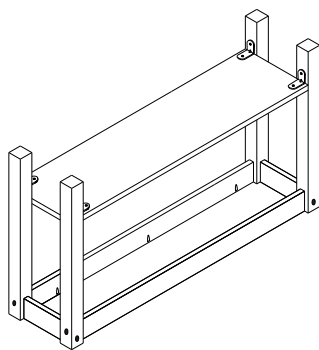


Detail 3

# STEP 6

## PARTS REQUIRED

1 - TABLE TOP x1

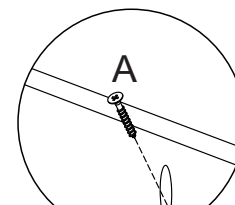
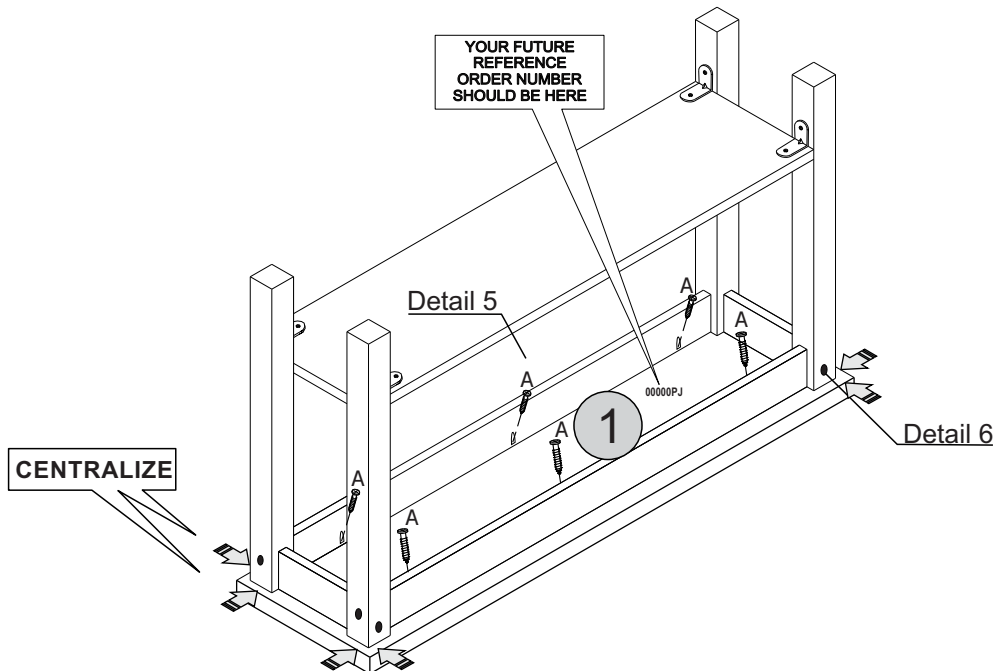
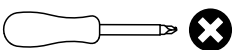


## HARDWARE REQUIRED

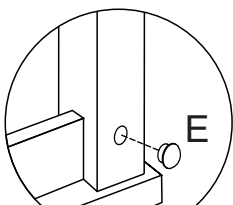
A  06  
Ø4,0 x 40CP

E  08  
Wooden Cap

## TOOLS REQUIRED



Detail 5



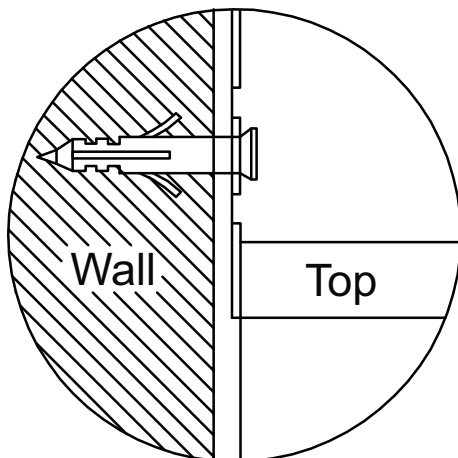
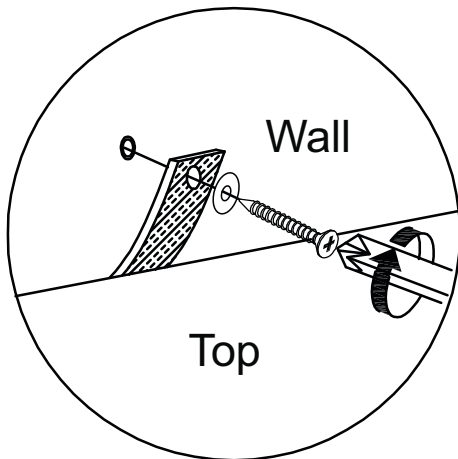
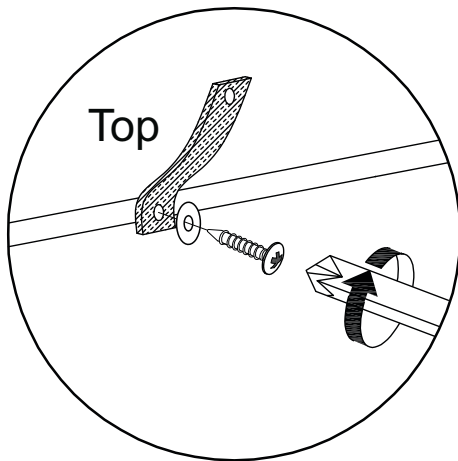
Detail 6

## WARNING



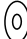
**Serious or fatal injuries can occur from furniture tipping over. To prevent the furniture from tipping over we recommend that it is permanently fixed to the wall.**

Wall fixings are not supplied with this product as different wall materials require different types of fixing devices.

Please make sure you use fixings suitable for the walls in your home.



### FITTINGS LIST

-  Strap (Anti-Tip Kit) (1x)
-  Wood Screw (Anti-Tip Kit) 3,5 x 30mm (1x)
-  Washer (Anti-Tip Kit) (2x)

