

# WARWICK CONSOLE TABLE



## **IMPORTANT FOR DOMESTIC USE ONLY PLEASE READ BEFORE YOU CONTINUE FURTHER**

**THE PRODUCT YOU HAVE PURCHASED WILL GIVE YOU MANY YEARS OF SERVICE IF YOU FOLLOW THE GUIDELINES FOR ITS SAFE ASSEMBLY AND PERIODIC MAINTENANCE AND CLEANING.**

**DO NOT USE ANY TOOLS OTHER THAN THOSE SHOWN.**

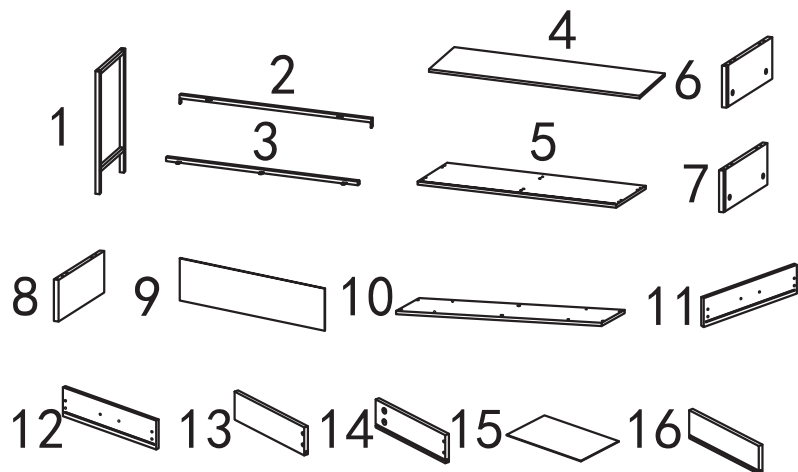
**ANY SPANNERS OR ALLEN KEYS REQUIRED ARE INCLUDED WITH THE FITTINGS KIT.**

**DO NOT FOR ANY REASON USE A POWER TOOL TO ASSEMBLE THIS PRODUCT. ITS USE WILL INVALIDATE ANY CLAIM YOU MAY HAVE AND COULD MAKE THIS PRODUCT UNSAFE.**

**DEPENDING ON THE AMOUNT OF USE THIS PRODUCT RECEIVES IT MAY BE NECESSARY TO TIGHTEN UP THE FIXINGS FROM TIME TO TIME THIS IS COMPLETELY NORMAL FOR ANY FLAT PACK FURNITURE.**

**FOR CLEANING, YOU MAY USE A DAMP CLOTH (NOT WET) DO NOT USE POLISH, DETERGENT OR CHEMICAL CLEANERS.**

## PARTS LIST



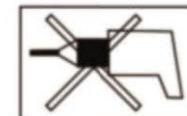
1	LEG	2
2	UPPER CROSSBAR	2
3	LOWER CROSSBAR	2
4	SHELF	1
5	TOP PANEL	1
6	LEFT SIDE PANEL	1
7	CENTRE PANEL	1
8	RIGHT SIDE PANEL	1
9	BACK PANEL	2
10	BASE PANEL	1
11	LEFT DRAWER FRONT	1
12	RIGHT DRAWER FRONT	1
13	RIGHT DRAWER SIDE	2
14	LEFT DRAWER SIDE	2
15	DRAWER BOTTOM	2
16	DRAWER BACK	2

## HARDWARE LIST

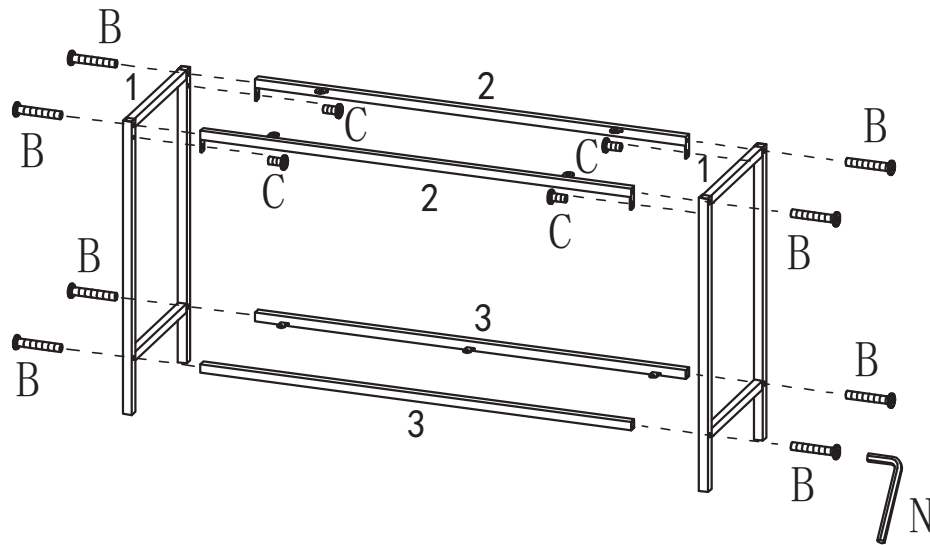
A		DRAWER HANDLE	2PCS
B		M6*38mm BOLTS	8PCS
C		M6*12mm BOLTS	8PCS
D		HANDLE SCREWS	4PCS
E		HANDLE WASHER	4PCS
F		DRAWER RUNNERS	2PCS
G		CAM NUTS (LARGE)	6PCS
H		CAM NUTS (SMALL)	8PCS
I		CAM BOLTS	14PCS
J		DOWELS	12PCS
K		ALLEN KEY BOLTS	6PCS
L		$\phi 4*35\text{mm}$ COUNTERSUNK CROSS TAPPING SCREW	8PCS
M		$\phi 3*12\text{mm}$ COUNTERSUNK CROSS TAPPING SCREW	22PCS
N		M4 ALLEN KEY	1PC

**PLEASE CHECK THAT YOU HAVE ALL THE PARTS LISTED BEFORE YOU START ASSEMBLING, IF YOU DO FIND THAT SOMETHING IS MISSING, DO NOT CONTINUE ASSEMBLY. PLEASE CONTACT YOUR SUPPLIER IMMEDIATELY.**

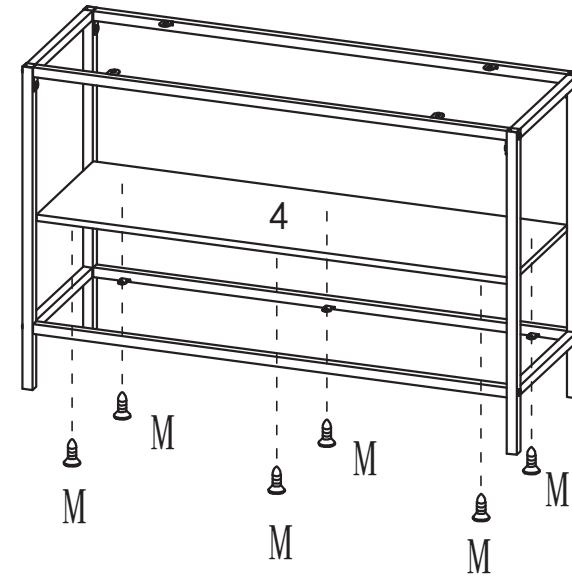
**THE USE OF POWER TOOLS TO ASSEMBLE THIS PRODUCT WILL INVALIDATE ANY CLAIM AND MAY DAMAGE THIS PRODUCT MAKING IT UNSAFE**



STEP-1



STEP-2



Bx8



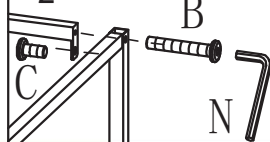
Cx4



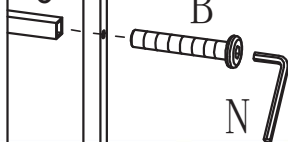
Nx1



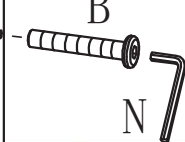
2



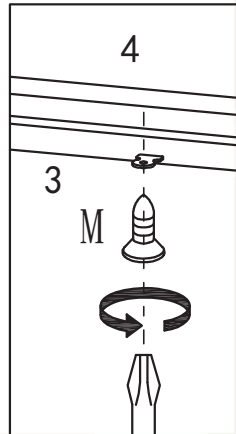
3



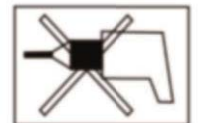
1



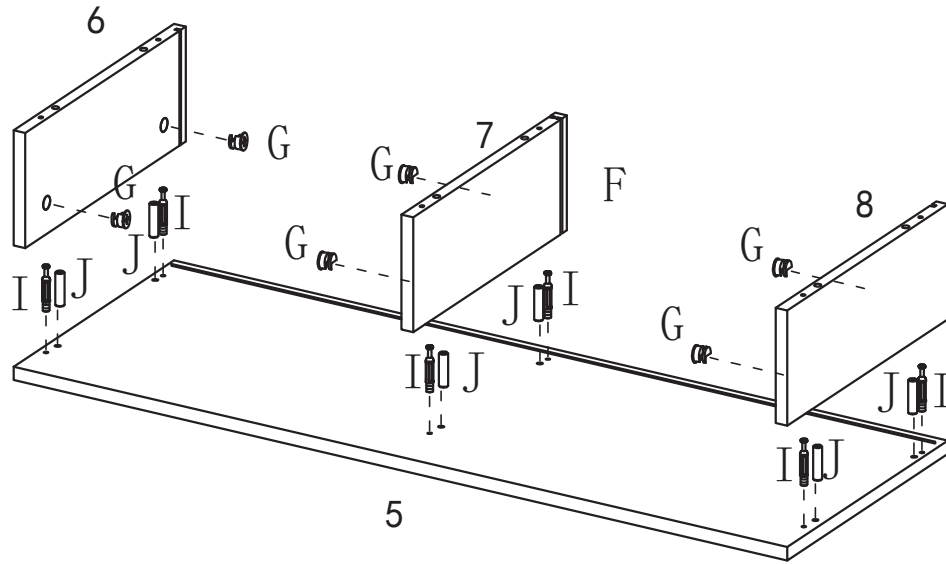
Mx6



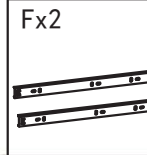
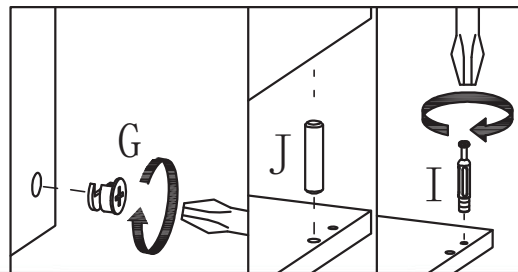
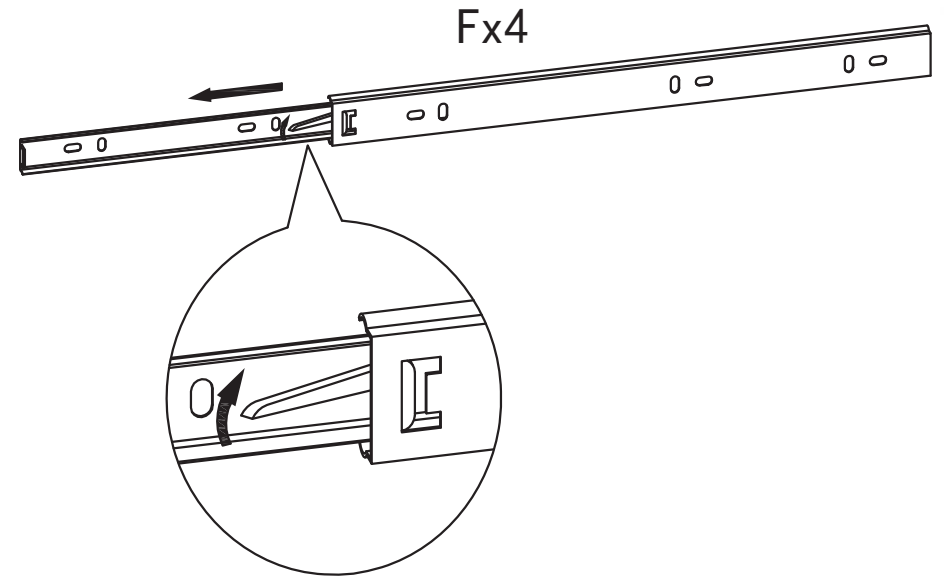
**THE USE OF POWER TOOLS TO ASSEMBLE THIS PRODUCT WILL INVALIDATE ANY CLAIM AND MAY DAMAGE THIS PRODUCT MAKING IT UNSAFE**



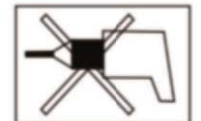
STEP-3



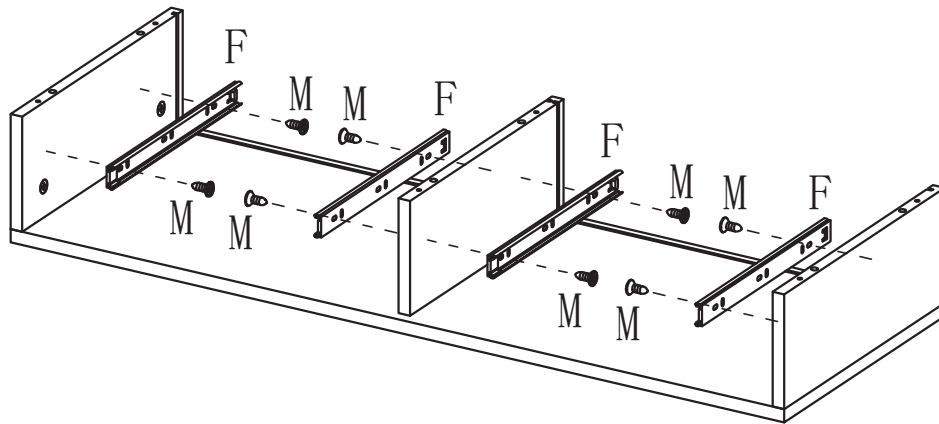
STEP-4



**THE USE OF POWER TOOLS TO ASSEMBLE THIS PRODUCT WILL INVALIDATE ANY CLAIM AND MAY DAMAGE THIS PRODUCT MAKING IT UNSAFE**



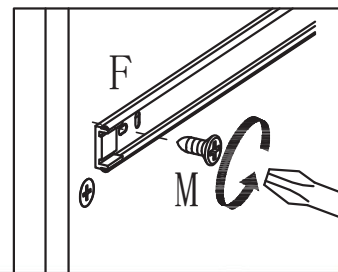
STEP-5



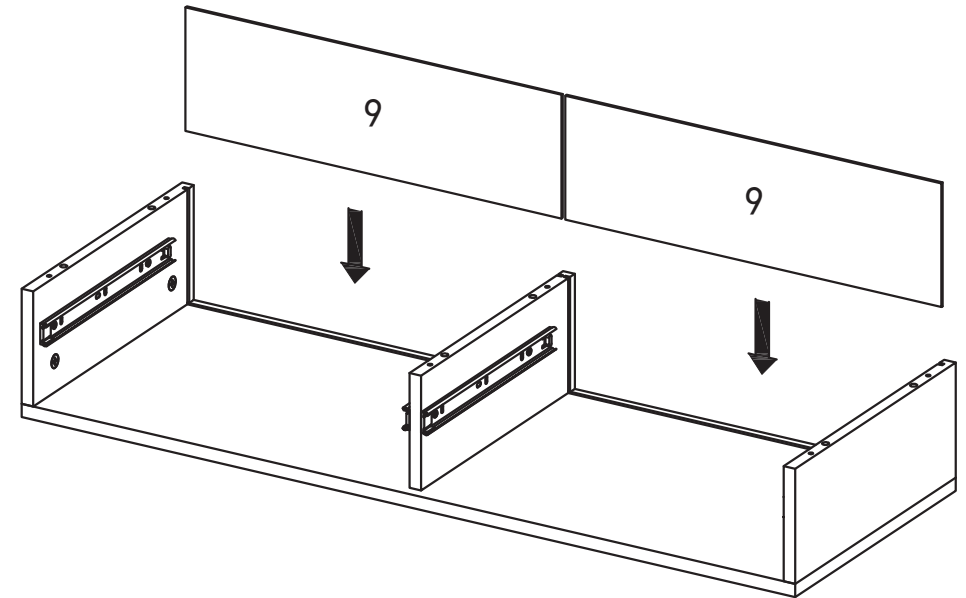
Fx2



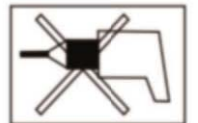
Mx8



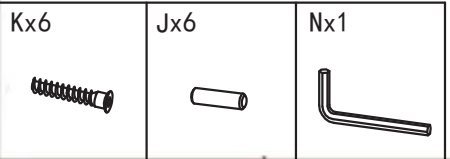
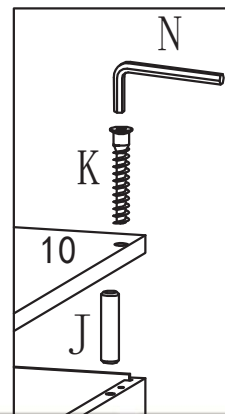
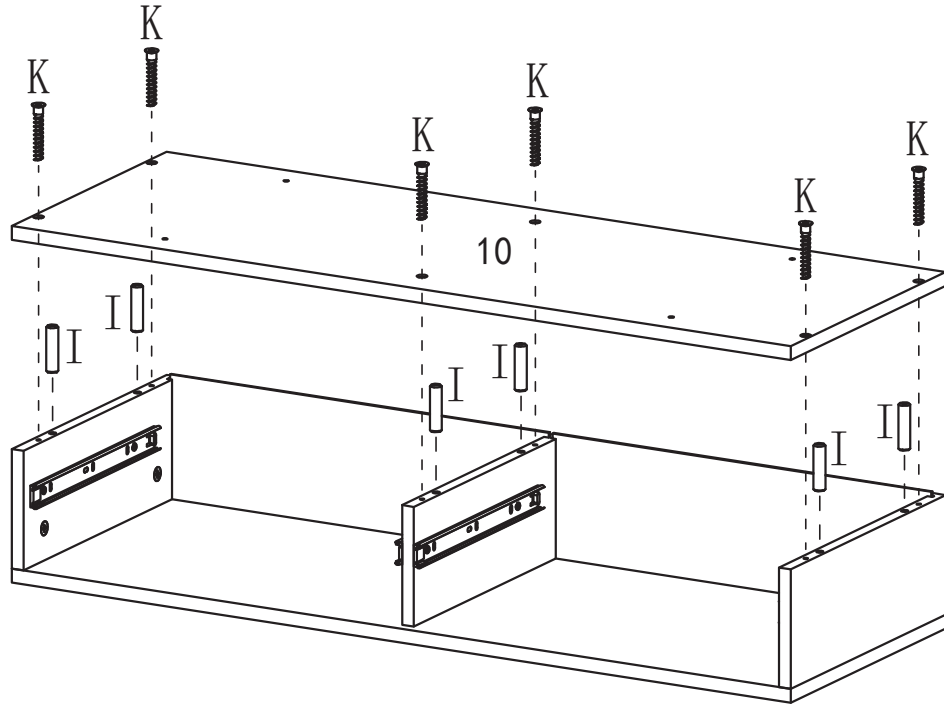
STEP-6



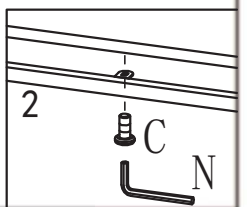
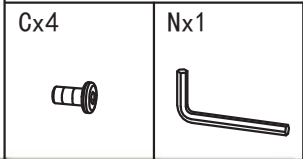
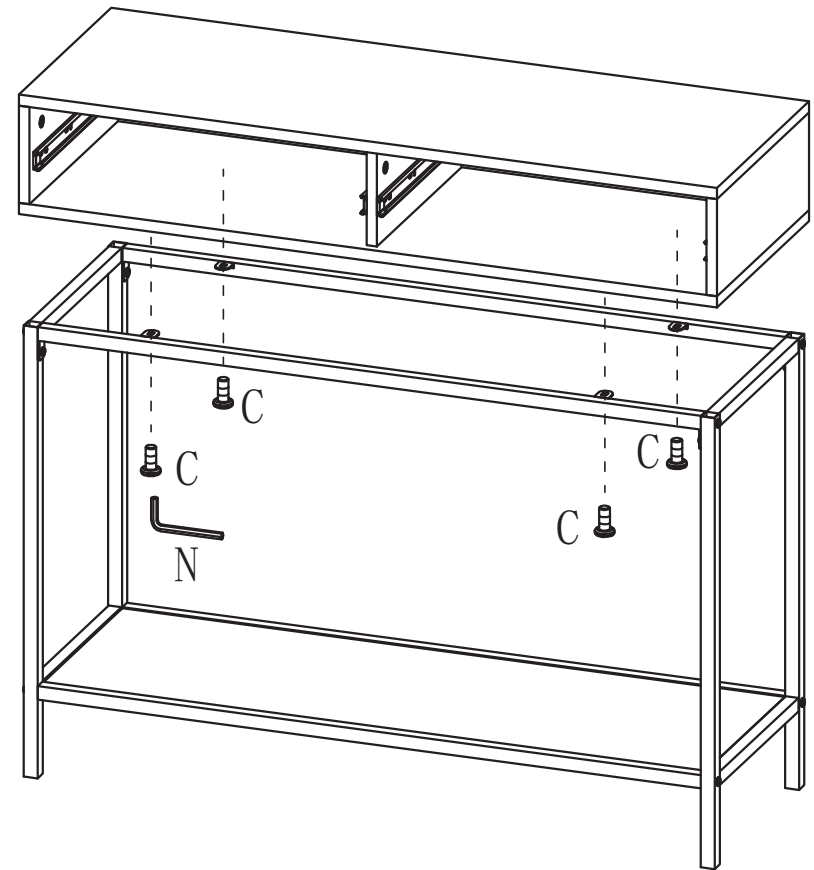
**THE USE OF POWER TOOLS TO ASSEMBLE THIS PRODUCT WILL INVALIDATE ANY CLAIM AND MAY DAMAGE THIS PRODUCT MAKING IT UNSAFE**



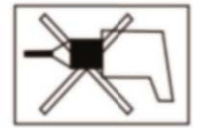
STEP-7



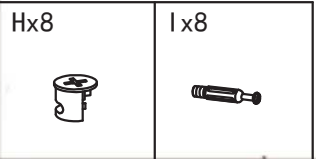
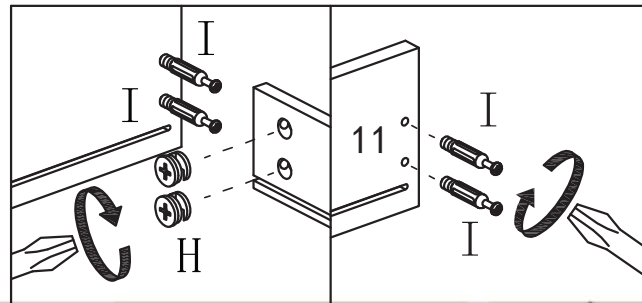
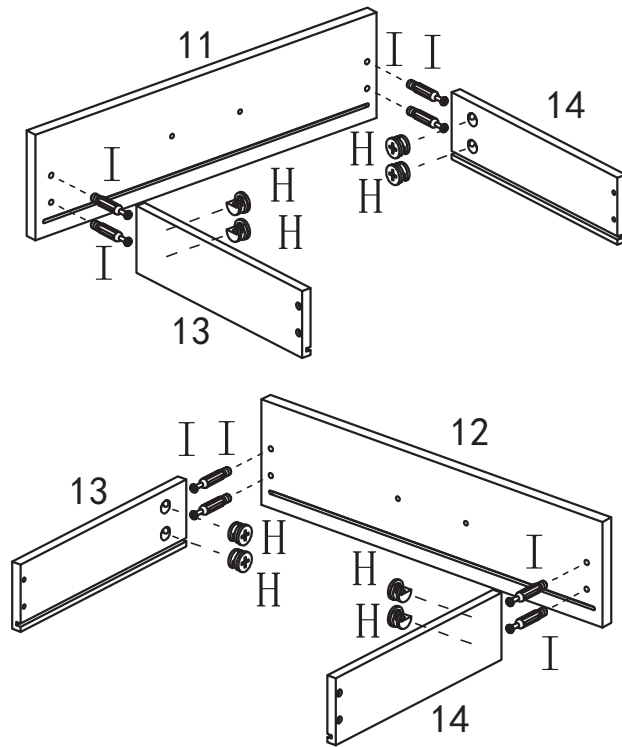
STEP-8



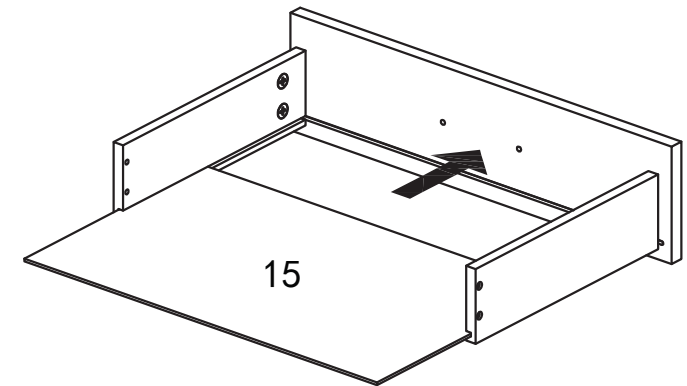
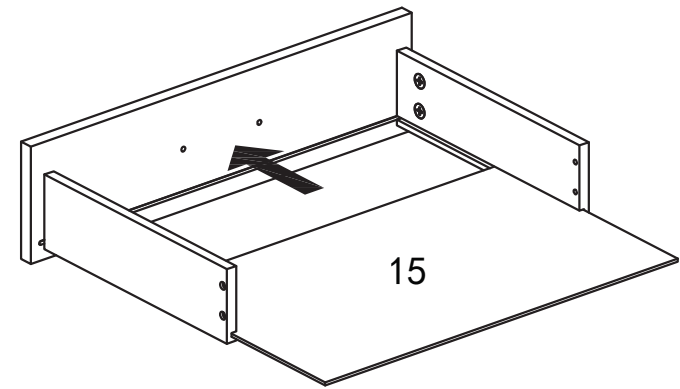
**THE USE OF POWER TOOLS TO ASSEMBLE THIS PRODUCT WILL INVALIDATE ANY CLAIM AND MAY DAMAGE THIS PRODUCT MAKING IT UNSAFE**



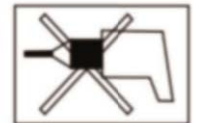
STEP-9



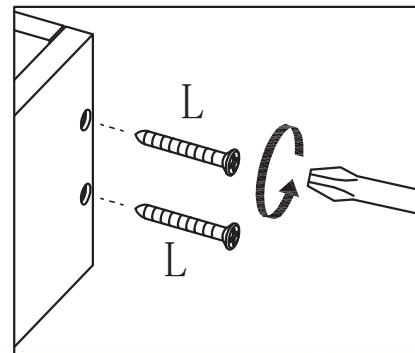
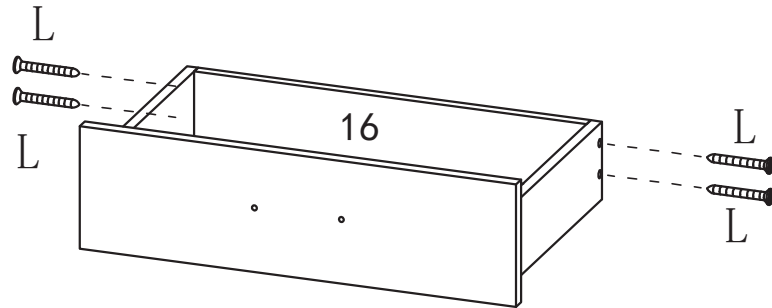
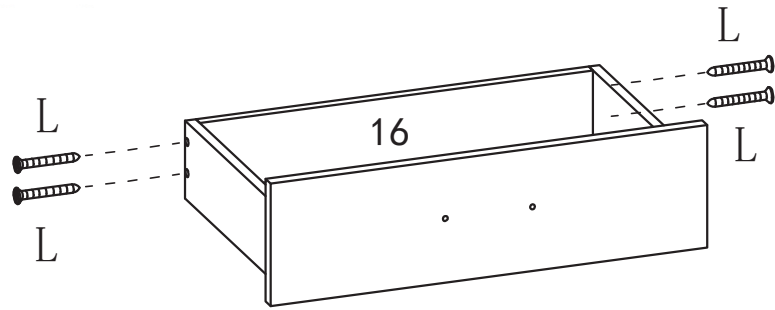
STEP-10



**THE USE OF POWER TOOLS TO ASSEMBLE THIS PRODUCT WILL INVALIDATE ANY CLAIM AND MAY DAMAGE THIS PRODUCT MAKING IT UNSAFE**



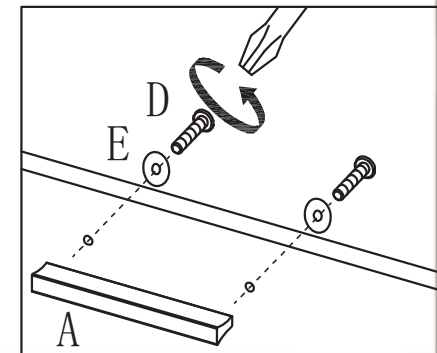
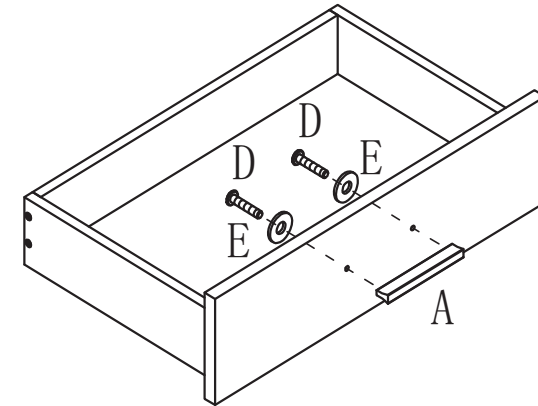
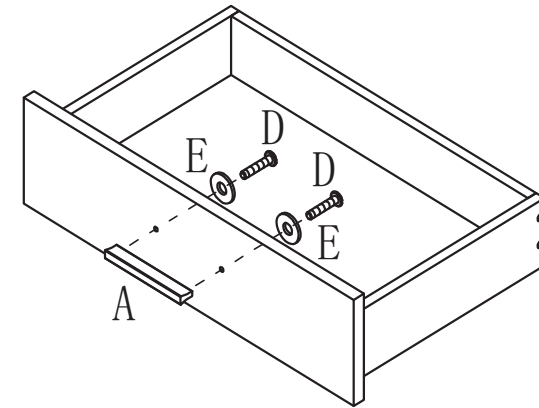
STEP-11



Lx8



STEP-12



Ax2



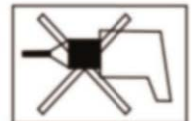
Dx4



Ex4

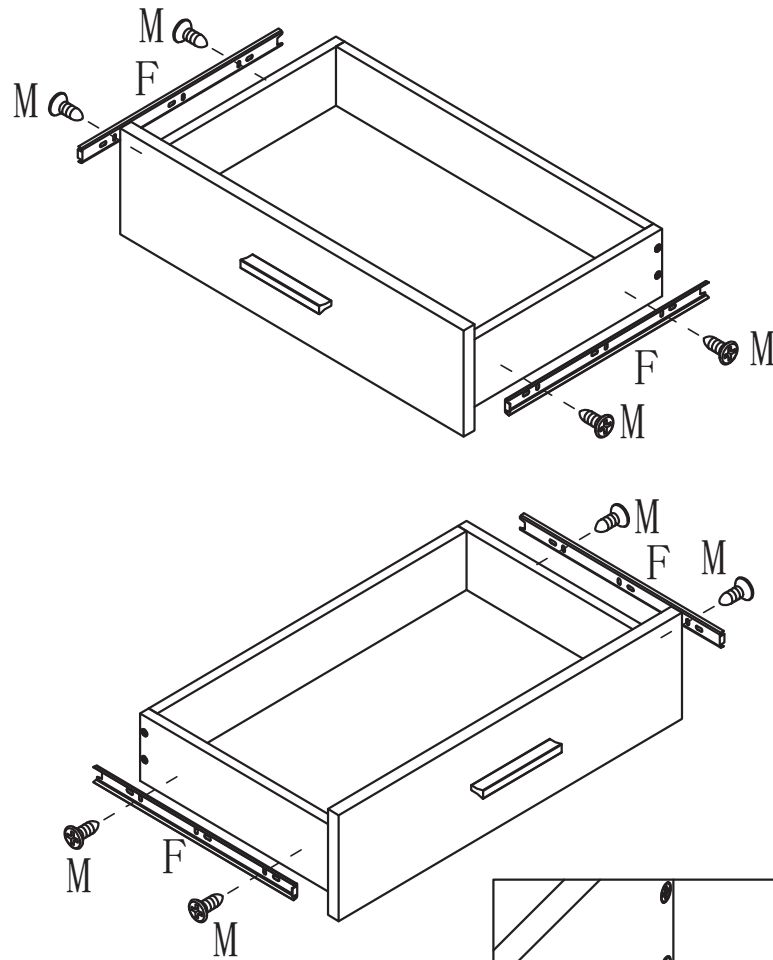


**THE USE OF POWER TOOLS TO ASSEMBLE THIS PRODUCT WILL INVALIDATE ANY CLAIM AND MAY DAMAGE THIS PRODUCT MAKING IT UNSAFE**





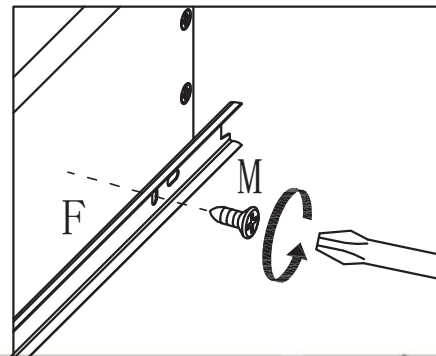
STEP-13



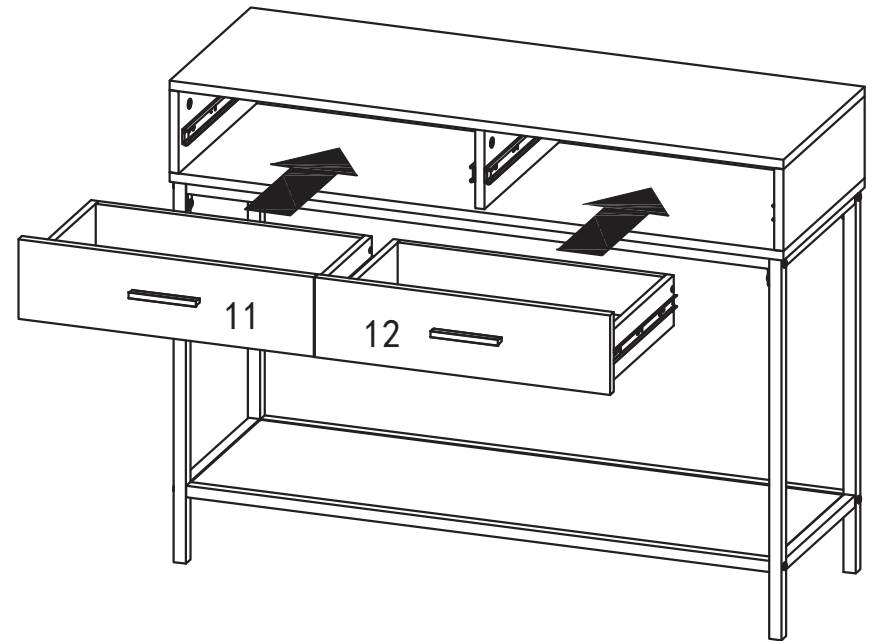
Fx2



Mx8



STEP-14



**THE USE OF POWER TOOLS TO ASSEMBLE THIS PRODUCT WILL INVALIDATE ANY CLAIM AND MAY DAMAGE THIS PRODUCT MAKING IT UNSAFE**

