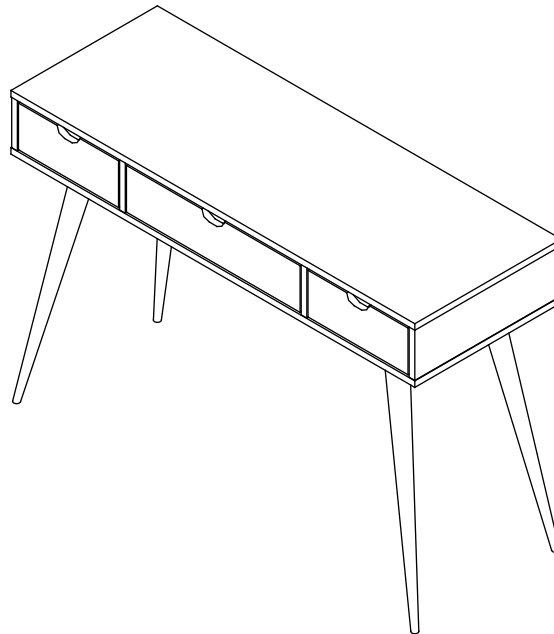


SEVILLE 3 DRAWER CONSOLE TABLE ASSEMBLY INSTRUCTIONS



**FOR DOMESTIC USE ONLY
IMPORTANT**

PLEASE READ BEFORE YOU CONTINUE FURTHER

THE PRODUCT YOU HAVE PURCHASED WILL GIVE YOU MANY YEARS OF SERVICE IF YOU FOLLOW THE GUIDELINES FOR ITS SAFE ASSEMBLY AND PERIODIC MAINTENANCE **AND CLEANING.**

ASSEMBLE ON A SOFT CLEAN **SURFACE.**

DO NOT USE ANY TOOLS OTHER THAN THOSE **SHOWN.**

ANY SPANNERS OR ALLEN KEYS REQUIRED ARE INCLUDED WITH THE **FITTINGS KIT.**

DO NOT FOR ANY REASON USE A POWER TOOL TO ASSEMBLE THIS PRODUCT. ITS USE WILL INVALIDATE ANY CLAIM YOU MAY HAVE AND COULD MAKE THIS PRODUCT UNSAFE.

DEPENDING ON THE AMOUNT OF USE THIS PRODUCT RECEIVES, IT MAY BE NECESSARY TO TIGHTEN UP THE FIXINGS FROM TIME TO TIME. THIS IS COMPLETELY NORMAL FOR ANY FLAT PACK FURNITURE. DO NOT OVERTIGHTEN FIXINGS.

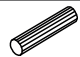
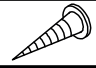

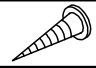




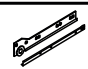
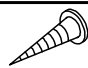

FOR CLEANING, YOU MAY USE A DAMP CLOTH (NOT WET). DO NOT USE POLISH, DETERGENT OR CHEMICAL CLEANERS.

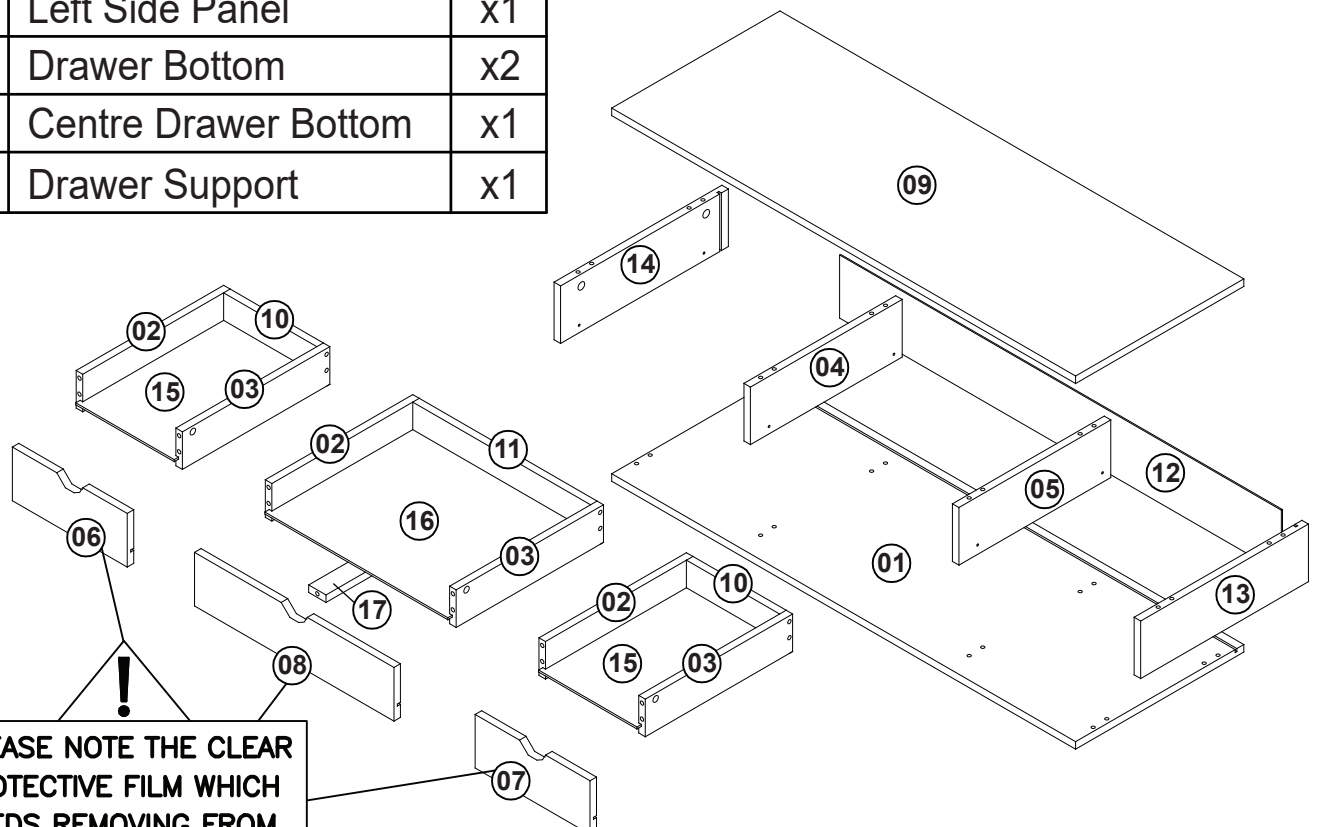
THE SURFACE OF THIS ITEM IS NOT HEAT RESISTANT. ALWAYS USE A PLACE MAT UNDER HOT OR COLD ITEMS TO PREVENT MARKING.

PART LIST

CARTON 1 OF 1		
No.	Part Name	QTY
01	Bottom Panel	x1
02	Left Drawer Side	x3
03	Right Drawer Side	x3
04	Left Centre Panel	x1
05	Right Centre Panel	x1
06	Left Drawer Front	x1
07	Right Drawer Front	x1
08	Centre Drawer Front	x1
09	Top Panel	x1
10	Back Drawer Panel	x2
11	Centre Back Drawer Panel	x1
12	Back Panel	x1
13	Right Side Panel	x1
14	Left Side Panel	x1
15	Drawer Bottom	x2
16	Centre Drawer Bottom	x1
17	Drawer Support	x1

HARDWARE LIST

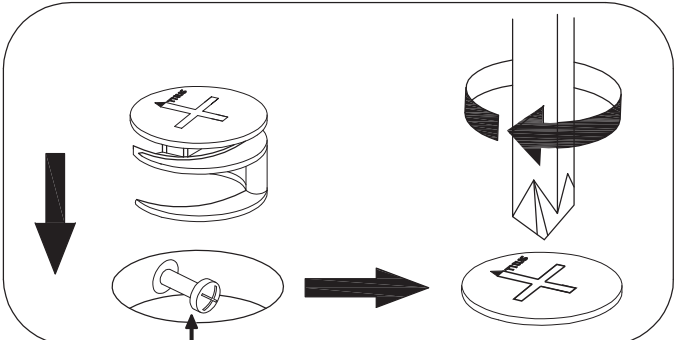
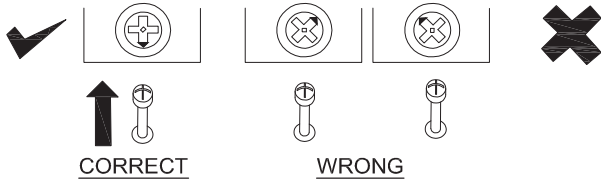
CARTON 1 OF 1			
No.	Part Name		QTY
A	Wooden Dowel (8x25mm)		x22
B	45mm Screw (4x45mm)		x8
C	38mm Screw (4x38mm)		x13
D	14mm Screw (3.5x14mm)		x28
E	Minifix Cam Bolt (8032T)		x15
F	Minifix Cam Nut (1512)		x15
G	Corner Support (AC 101)		x2
H	Wooden Leg + Plastic Foot		x4
I	14" Drawer Slide (0.9mm W (vkt)		x3set
J	65mm Screw (4x65mm)		x4
K	Wall Fixing (4x20mm=1pc)		x1



PLEASE NOTE THE CLEAR PROTECTIVE FILM WHICH NEEDS REMOVING FROM THE GLOSS FINISH.

TIPS FOR FITTING CAM-LOCKS

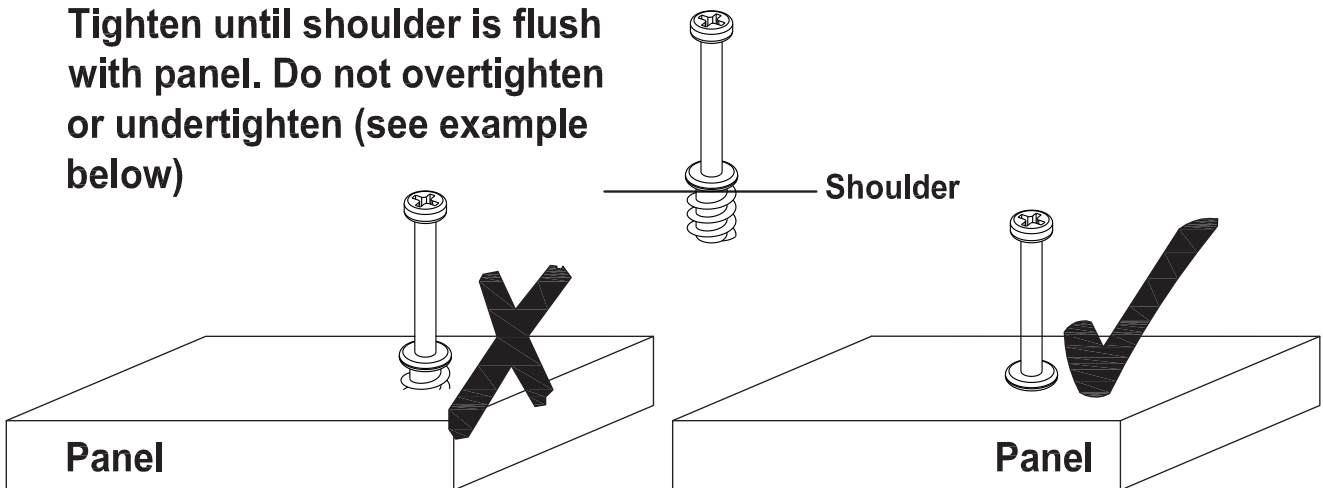
WHEN FITTING CAM-LOCK
ENSURE STARTING POSITION IS CORRECT
BEFORE YOU INSERT CONNECTING CAM BOLT
TURN CLOCKWISE UNTIL SECURE



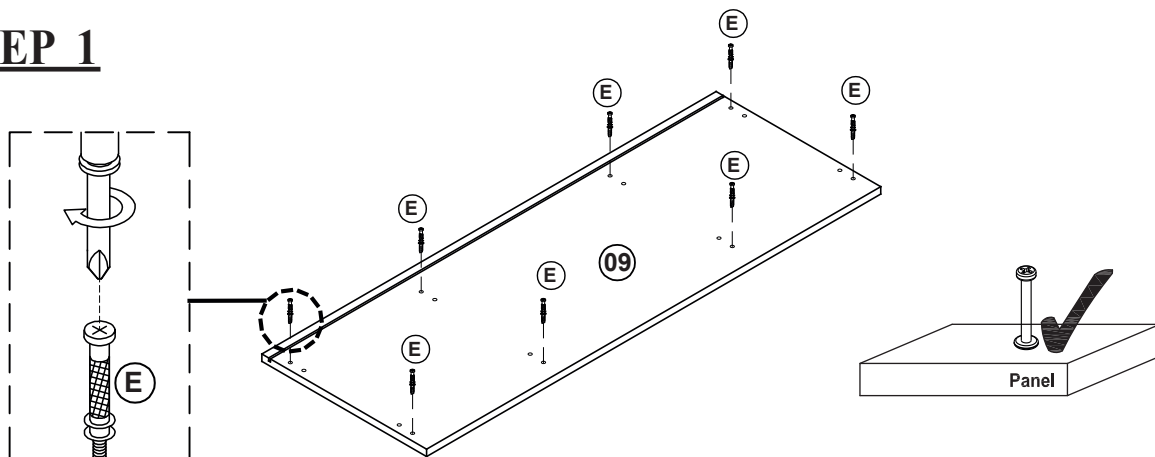
Cam bolt head needs to be in centre


CAMBOLT

Tighten until shoulder is flush with panel. Do not overtighten or undertighten (see example below)

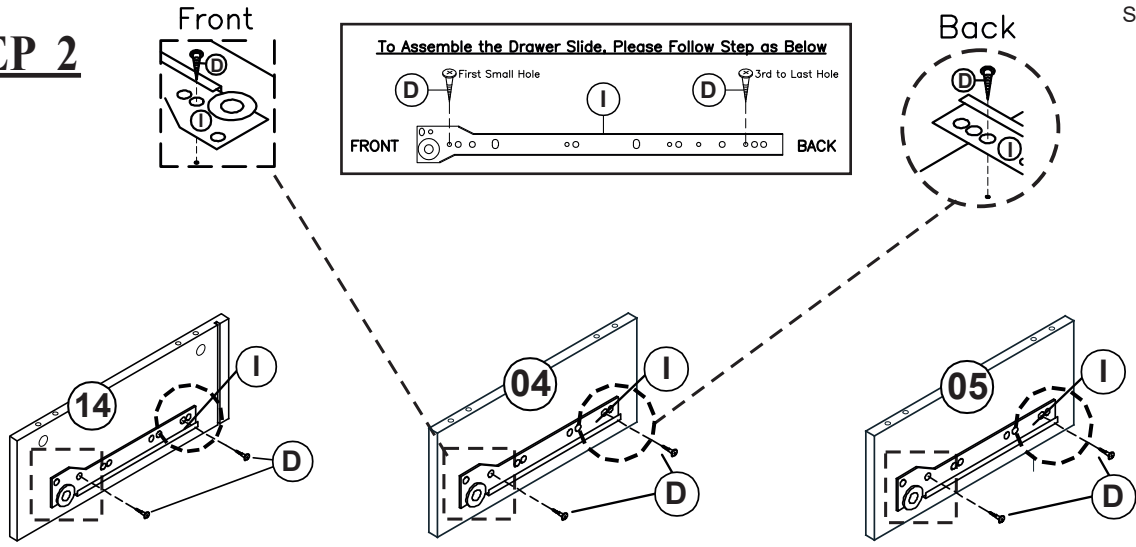


STEP 1



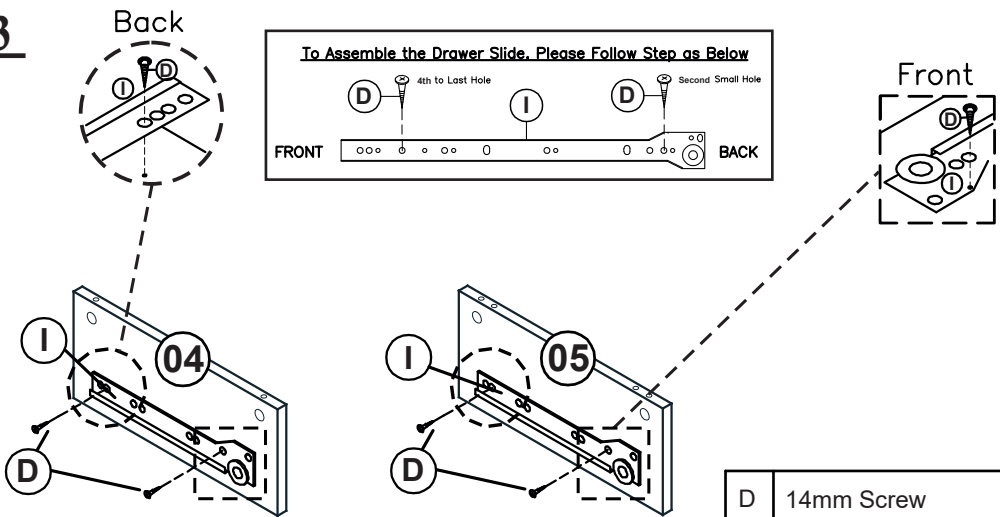
E	Minifix Cam Bolt		x8
---	------------------	---------------------------------------------------------------------------------------	----

STEP 2



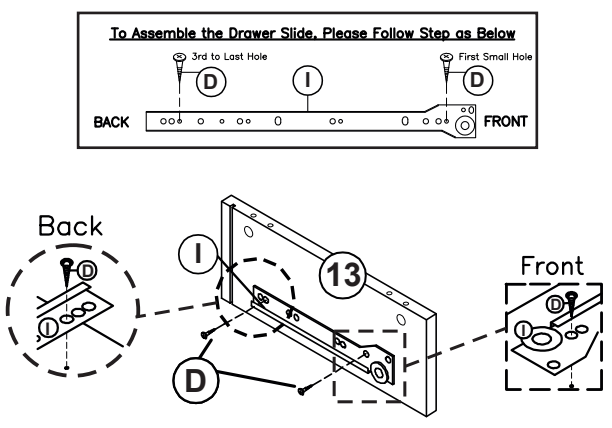
D	14mm Screw		x6
I	14" Drawer Slide		x3

STEP 3



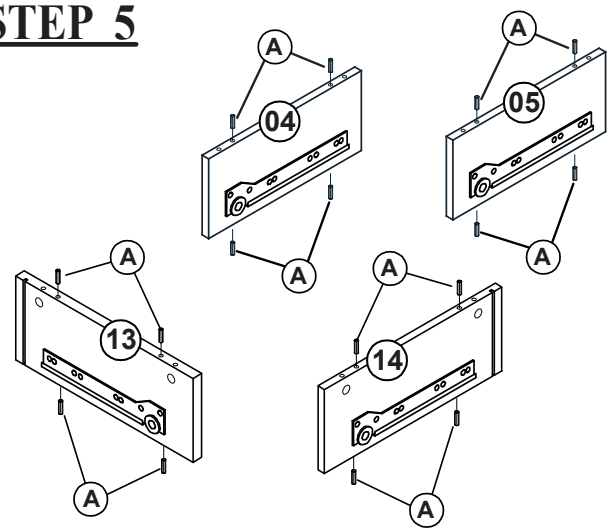
D	14mm Screw		x4
I	14" Drawer Slide		x2

STEP 4



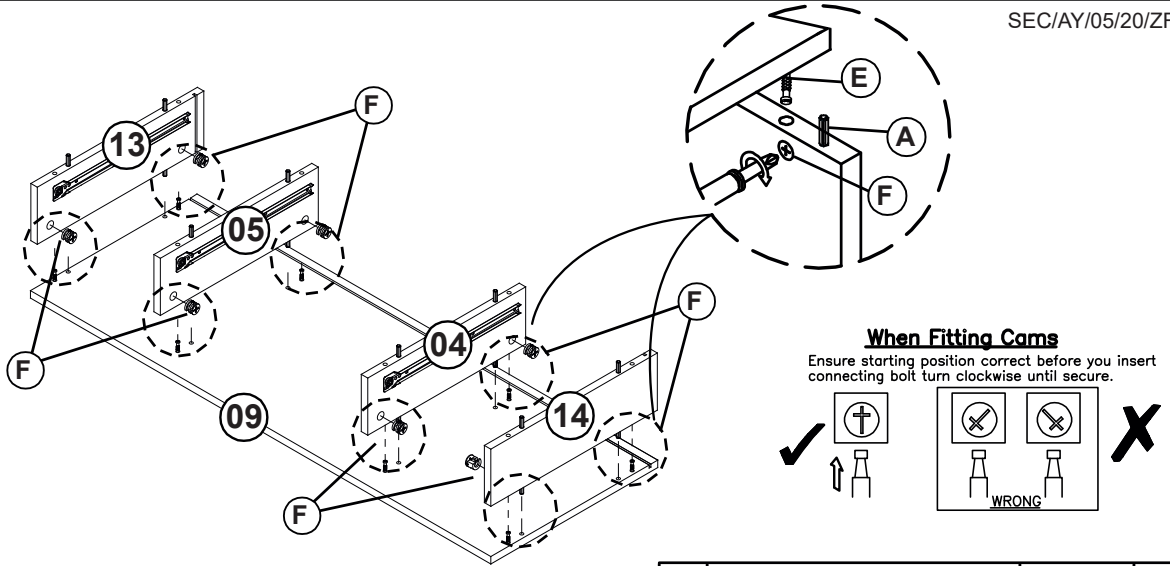
D	14mm Screw		x2
I	14" Drawer Slide		x1

STEP 5



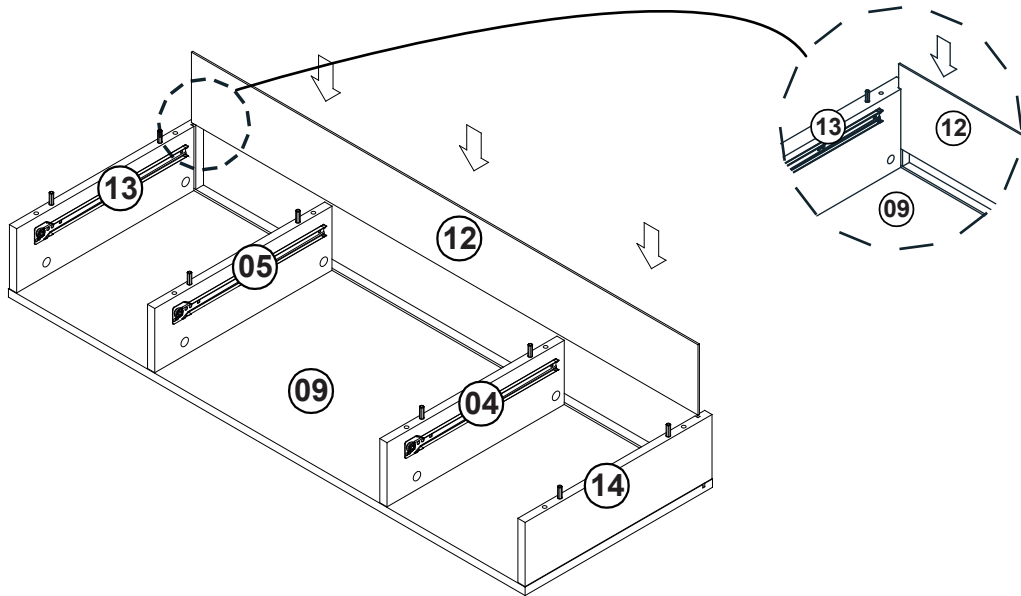
A	Wooden Dowel		x16
---	--------------	--	-----

STEP 6

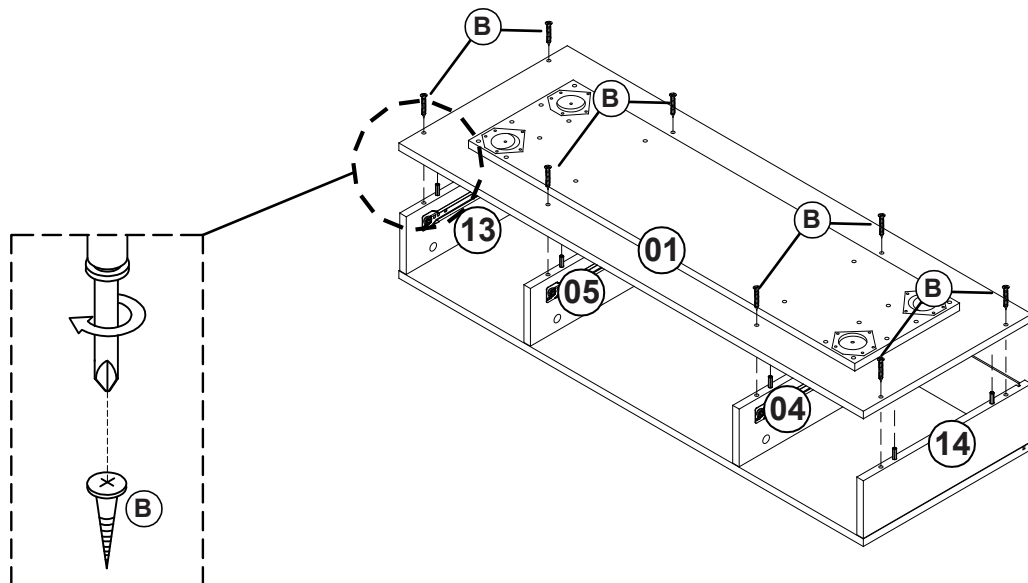


F	Minifix Cam Nut		x8
---	-----------------	-------------------------------------------------------------------------------------	----

STEP 7

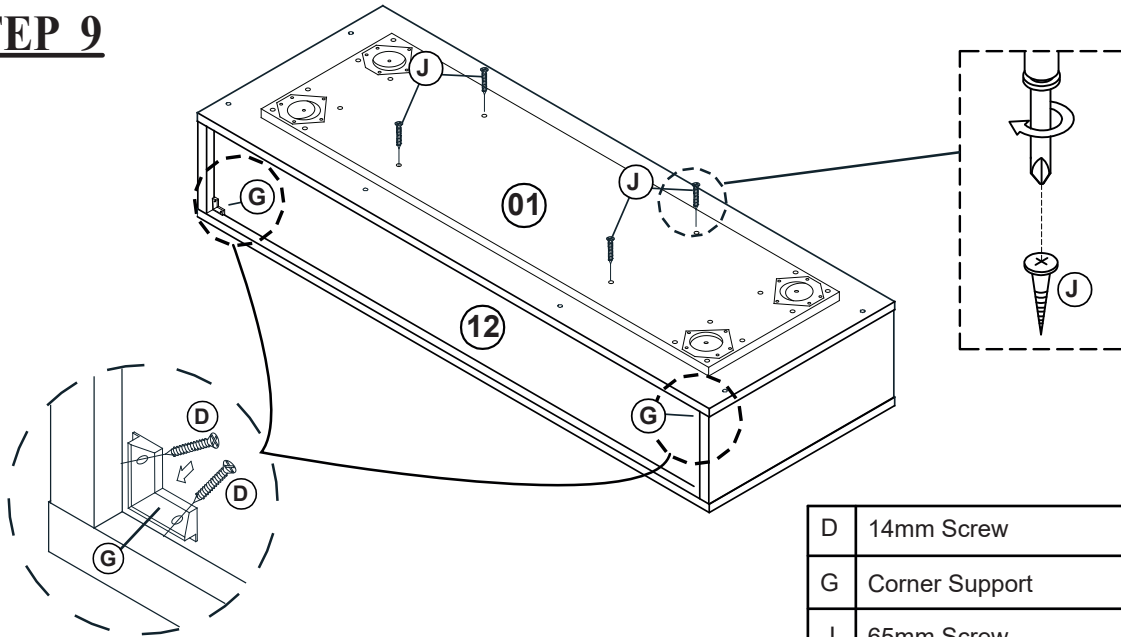





STEP 8



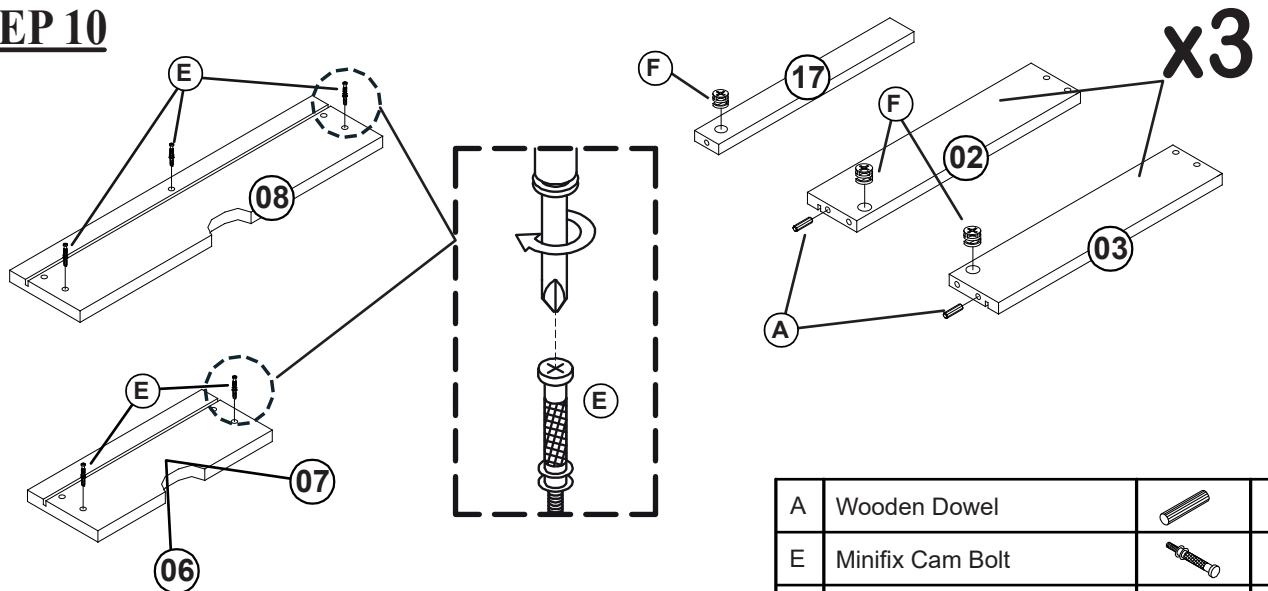
B	45mm Screw		x8
---	------------	---------------------------------------------------------------------------------------	----

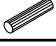


STEP 9



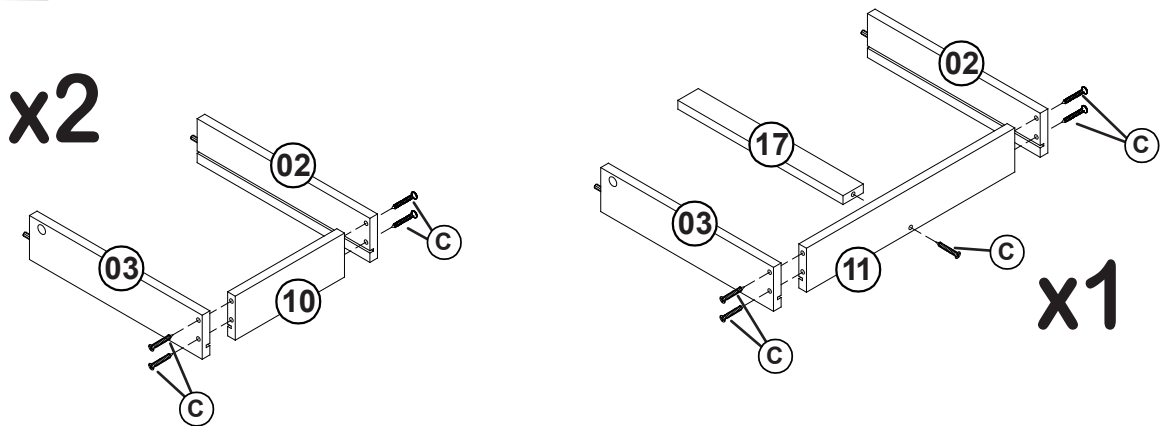
D	14mm Screw		x4
G	Corner Support		x2
J	65mm Screw		x4


STEP 10



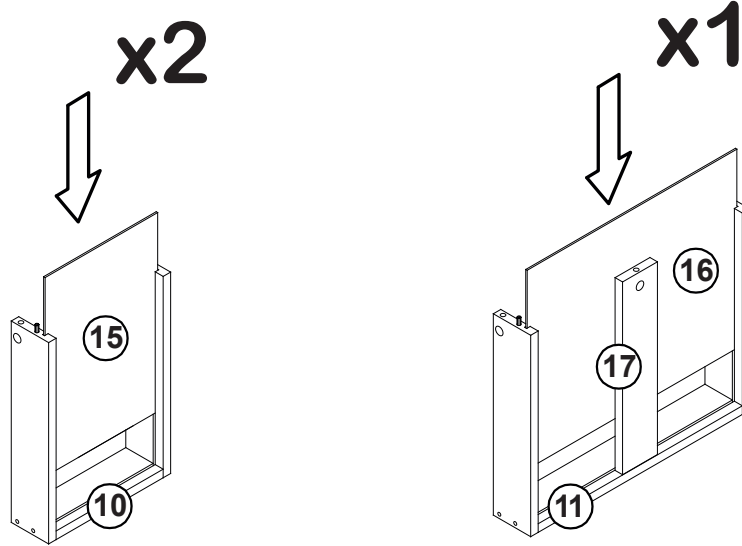
A	Wooden Dowel		x6
E	Minifix Cam Bolt		x7
F	Minifix Cam Nut		x7

STEP 11

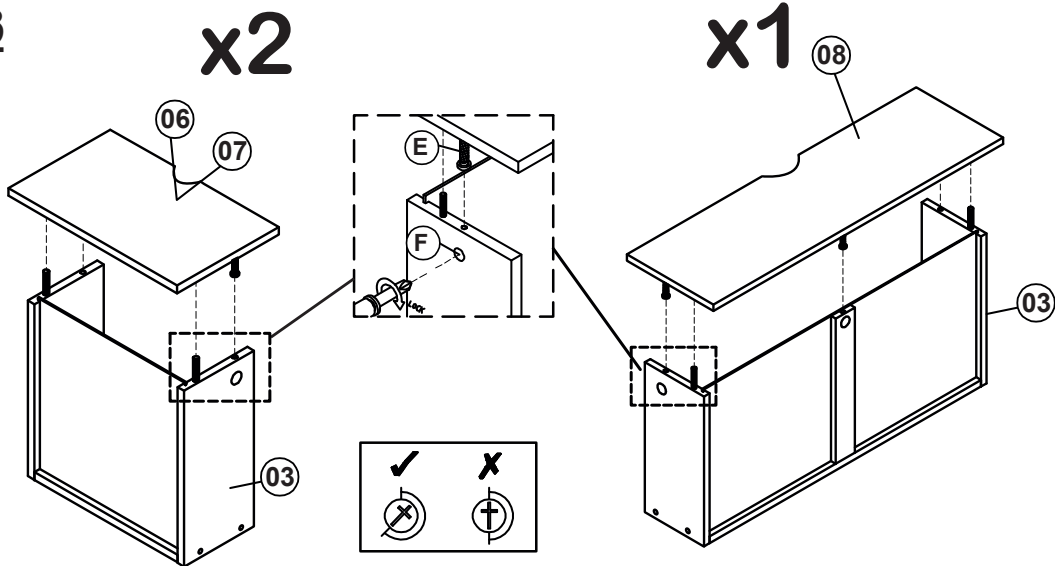


C	38mm Screw		x13
---	------------	---------------------------------------------------------------------------------------	-----

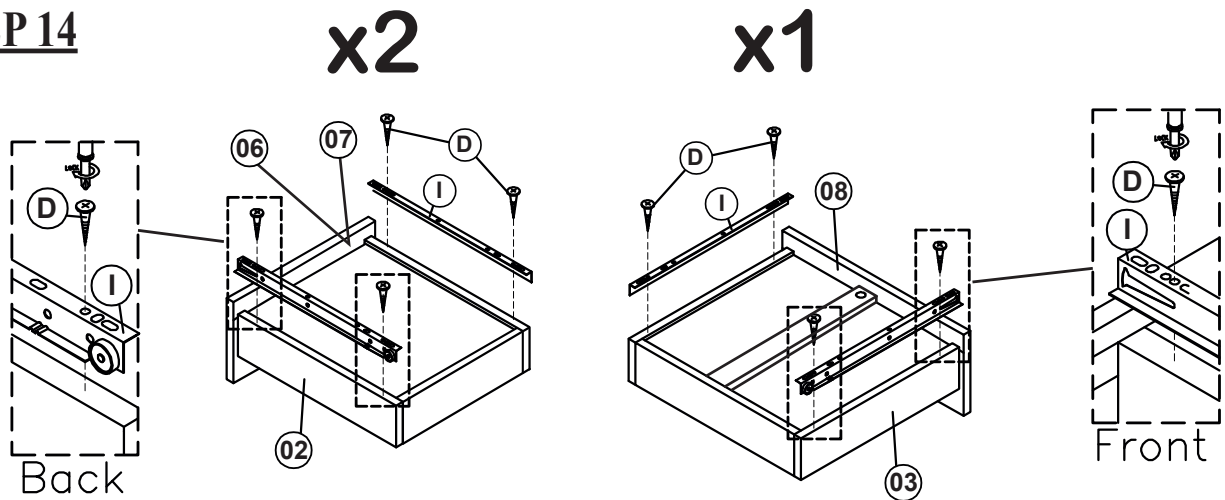
STEP 12





STEP 13

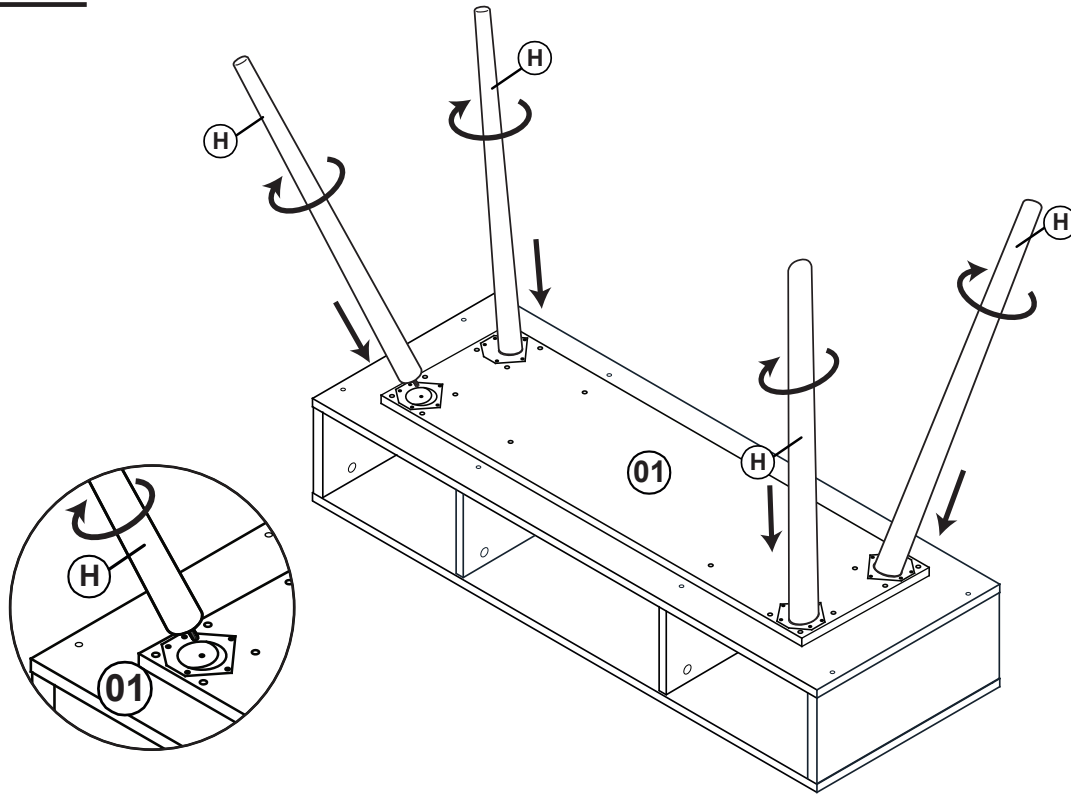


STEP 14



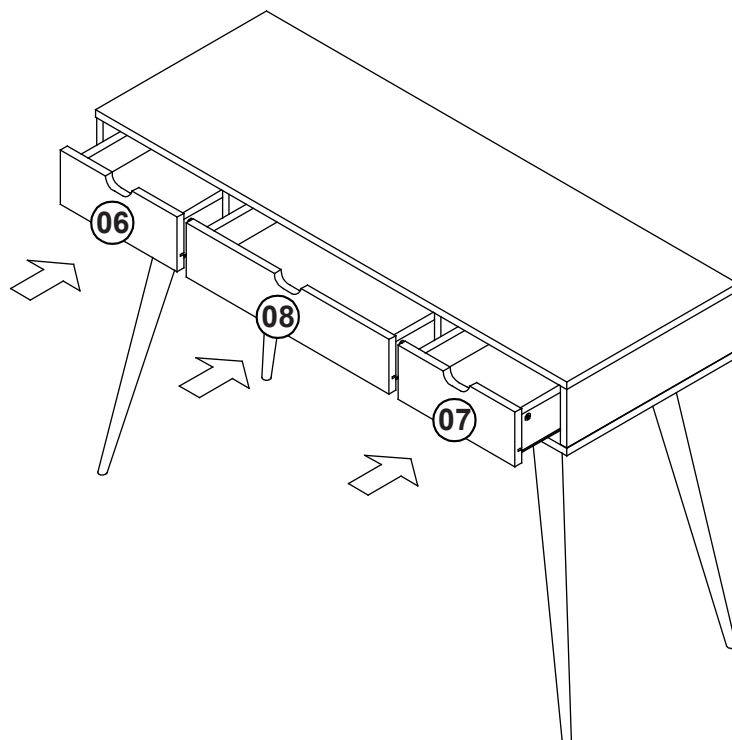
D	14mm Screw		x12
I	14" Drawer Slide		x3set

STEP 15



H	Wooden Leg + Plastic Foot		x4
---	---------------------------	---------------------------------------------------------------------------------------	----

STEP 16




STEP 17


WARNING

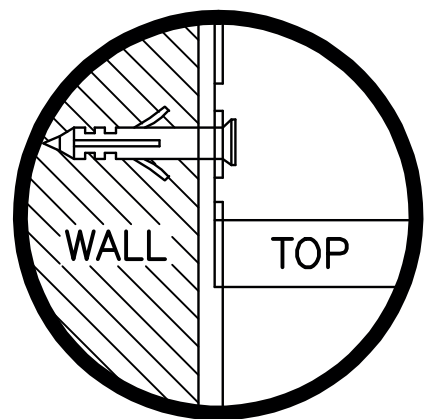
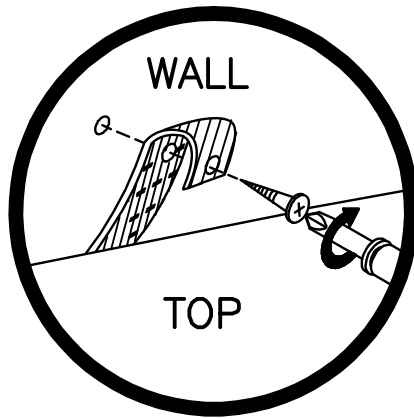
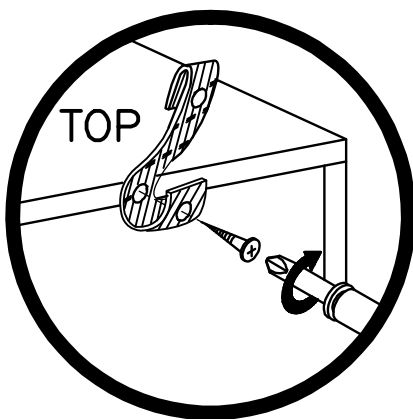
Serious or fatal injuries can occur from furniture tipping over. To prevent the furniture from tipping over we recommend that it is permanently fixed to the wall.

Wall fixings are not supplied with this product as different wall materials require different types of fixing devices. Please make sure you use fixings suitable for the walls in your home.

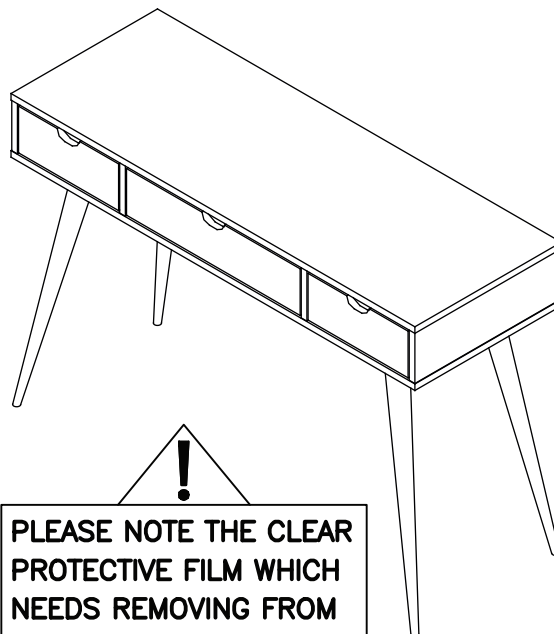
HARDWARE LIST

K  Anti-Tip Strap – 1pc

 Screw 20 mm – 1pc



STEP 18



!
PLEASE NOTE THE CLEAR PROTECTIVE FILM WHICH NEEDS REMOVING FROM THE GLOSS FINISH.

FINISH