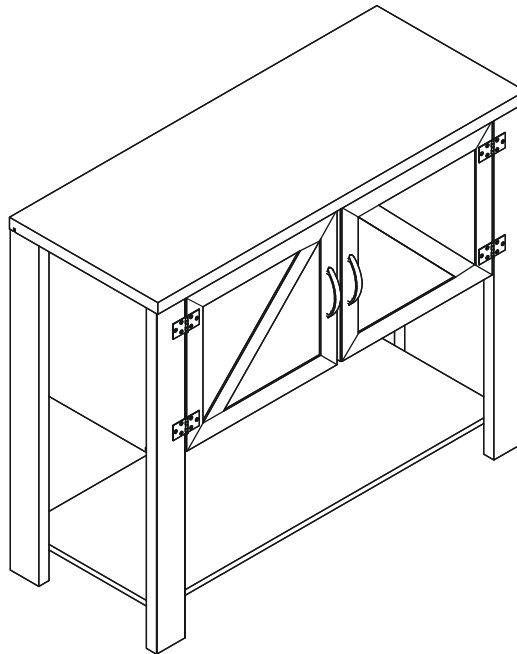


# ZURICH 2 DOOR CONSOLE TABLE ASSEMBLY INSTRUCTIONS



## IMPORTANT FOR DOMESTIC USE ONLY

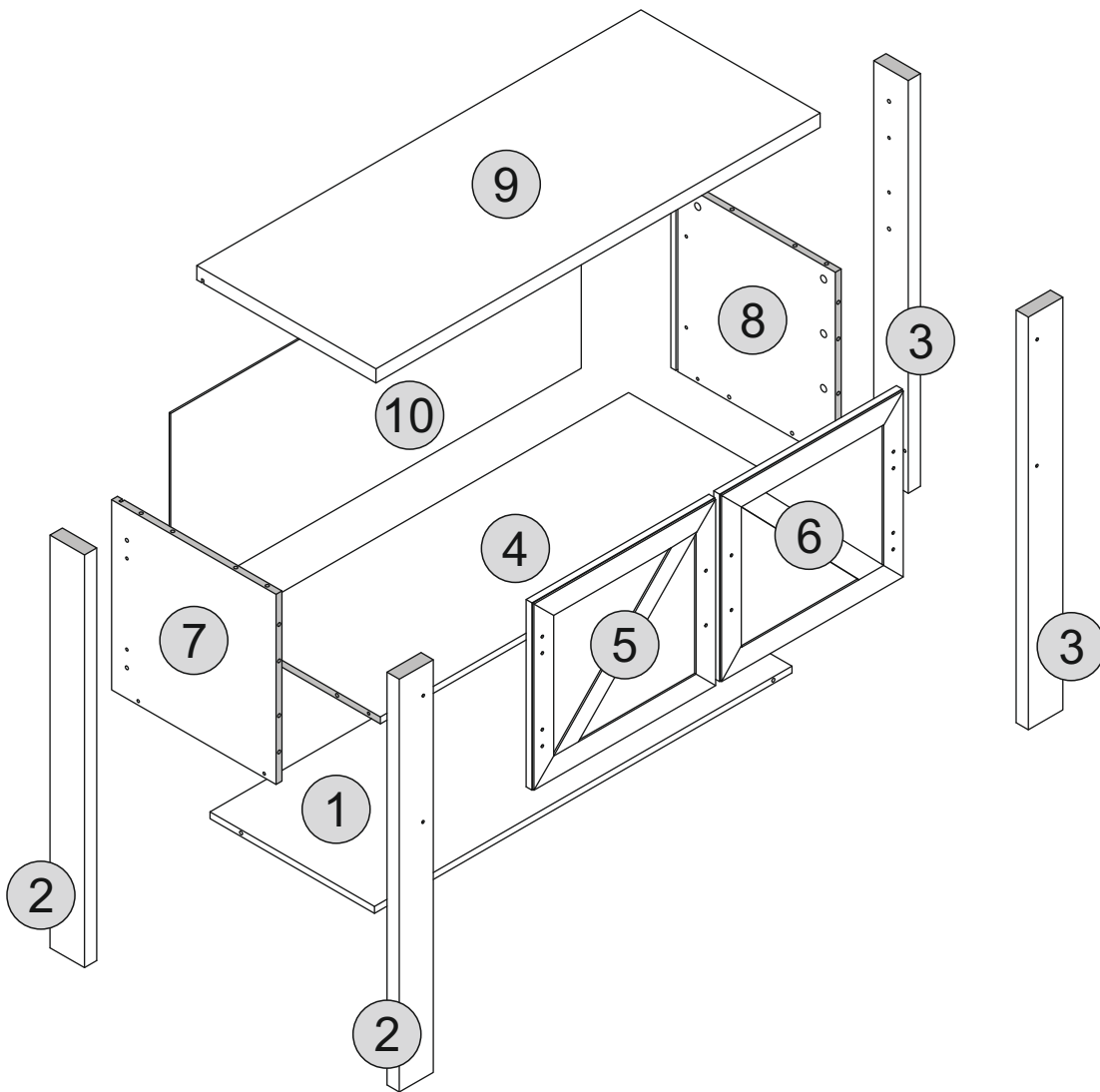
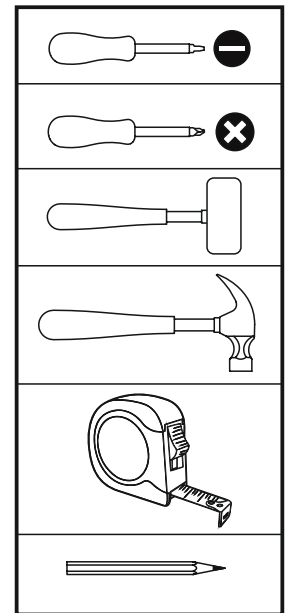
PLEASE READ BEFORE YOU CONTINUE FURTHER

## CARE AND MAINTENANCE

After unpacking this product please keep the original packaging in case it needs to be returned for any reason.

- Please ensure all fittings and parts are present before commencing with assembly.
- Never drag or push products as this could cause damage to the joints making it inferior.
- We strongly recommend that you keep children away from your work area.
- We recommend that you lay a blanket or sheet on the floor to avoid damage to both your floor and the product.
- Assemble this product as close to its final position as possible.
- Do not place this product next to a radiator or in direct sunlight.
- Do not drag or push items across your high gloss furniture as this may cause the surface to scratch
- Wood is a natural product and may expand if subjected to damp and may shrink or crack if subjected to heat. Therefore it is recommended that room temperature is maintained, with no sudden temperature fluctuations.
- Make sure any spillage is wiped off immediately.
- Do not place hot or chilled items directly on to the surface, use a place mat or marking will occur.
- For general cleaning use a soft cotton or micro fibre cloth, and do not use detergents of any kind.
- From time to time it may be necessary to tighten fittings, regular inspections should be carried out.
- Do not place on a wet or damp floor as staining may occur to your floor.

**TOOLS REQUIRED**



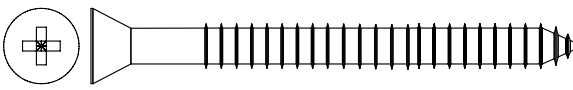
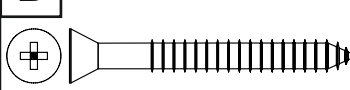
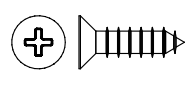
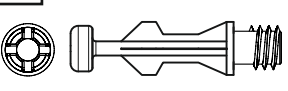
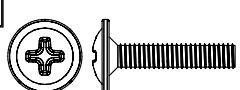
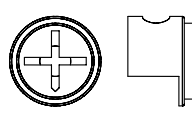

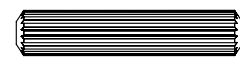
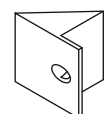
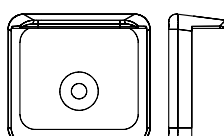
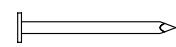
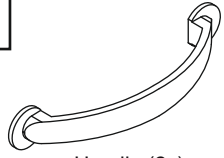
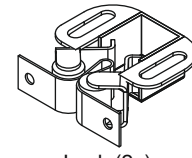
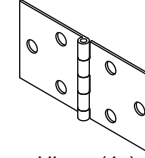


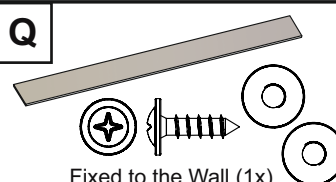
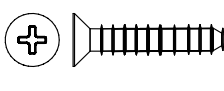
**PARTS LIST**

*Please Note:*  
The below parts have all been stamped with the part number to help identify them during assembly

Part Number	Part Code	Part Description	Quantity	Carton
1	S300-304-023-CM1-01	Base Panel	1	1/1
2	S300-304-023-CM1-02	Left Leg	2	1/1
3	S300-304-023-CM1-03	Right Leg	2	1/1
4	S300-304-023-CM1-04	Shelf	1	1/1
5	S300-304-023-CM1-05	Left Door	1	1/1
6	S300-304-023-CM1-06	Right Door	1	1/1
7	S300-304-023-CM1-07	Left Side Panel	1	1/1
8	S300-304-023-CM1-08	Right Side Panel	1	1/1
9	S300-304-023-CM1-09	Top Panel	1	1/1
10	S300-304-023-CM1-10	Back Panel	1	1/1

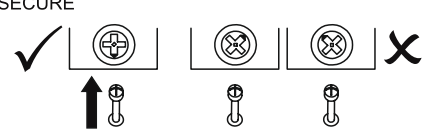
# FITTINGS LIST

SEC/SH/03/22/CM1

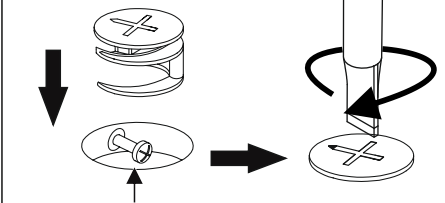
<p><b>A</b></p>  <p>Flat Head Screw Ø4,5 x 50mm (4x)</p> <p>1/+</p>	<p><b>B</b></p>  <p>Flat Head Screw Ø4,0 x 30mm (4x)</p> <p>1/+</p>	<p><b>C</b></p>  <p>Flat Head Screw Ø3,5 x 12mm (32x)</p> <p>2/+</p>	
<p><b>D</b></p>  <p>Cam Bolt (12x)</p> <p>2/+</p>	<p><b>E</b></p>  <p>Flan Head Screw Ø4,0 x 16mm (4x)</p> <p>1/+</p>	<p><b>F</b></p>  <p>Cam Nut 12mm (12x)</p> <p>2/+</p>	<p><b>G</b></p>  <p>Cylindrical Nut 12mm (4x)</p> <p>1/+</p>
<p><b>H</b></p>  <p>Dowel Ø6,0 x 30mm (16x)</p> <p>2/+</p>	<p><b>I</b></p>  <p>Triangular Support (8x)</p> <p>1/+</p>	<p><b>J</b></p>  <p>Plastic Foot (4x)</p> <p>1/+</p>	<p><b>K</b></p>  <p>Nail 8 x 8 (10x)</p> <p>2/+</p>
<p><b>L</b></p>  <p>Handle (2x)</p>	<p><b>M</b></p>  <p>Lock (2x)</p>	<p><b>N</b></p>  <p>Hinge (4x)</p>	<p><b>O</b></p>  <p>Glue (2x)</p>
<p><b>P</b></p>  <p>Hole Plugs (18x)</p> <p>2/+</p>	<p><b>Q</b></p>  <p>Fixed to the Wall (1x)</p> <p>1/+</p>	<p><b>R</b></p>  <p>Flat Head Screw Ø3,5 x 16mm (8x)</p> <p>1/+</p>	

## TIPS FOR FITTINGS CAM-LOCKS

WHEN FITTING CAM NUT, ENSURE STARTING POSITION IS CORRECT BEFORE YOU INSERT CONNECTING CAM BOLT TURN CLOCKWISE UNTIL SECURE



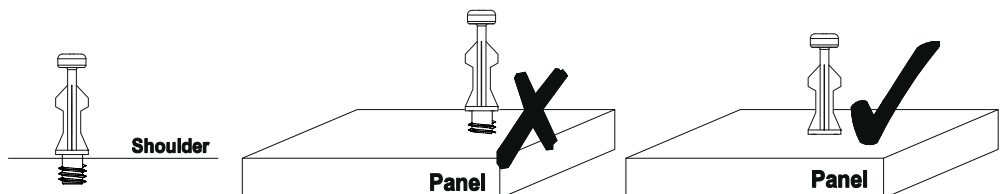
**CORRECT**      **WRONG**



**Cam bolt head needs to be in centre**

### CAMBOLT

Tighten until shoulder is flush with panel. Do not overtighten or undertighten (see example beside)



# STEP 1

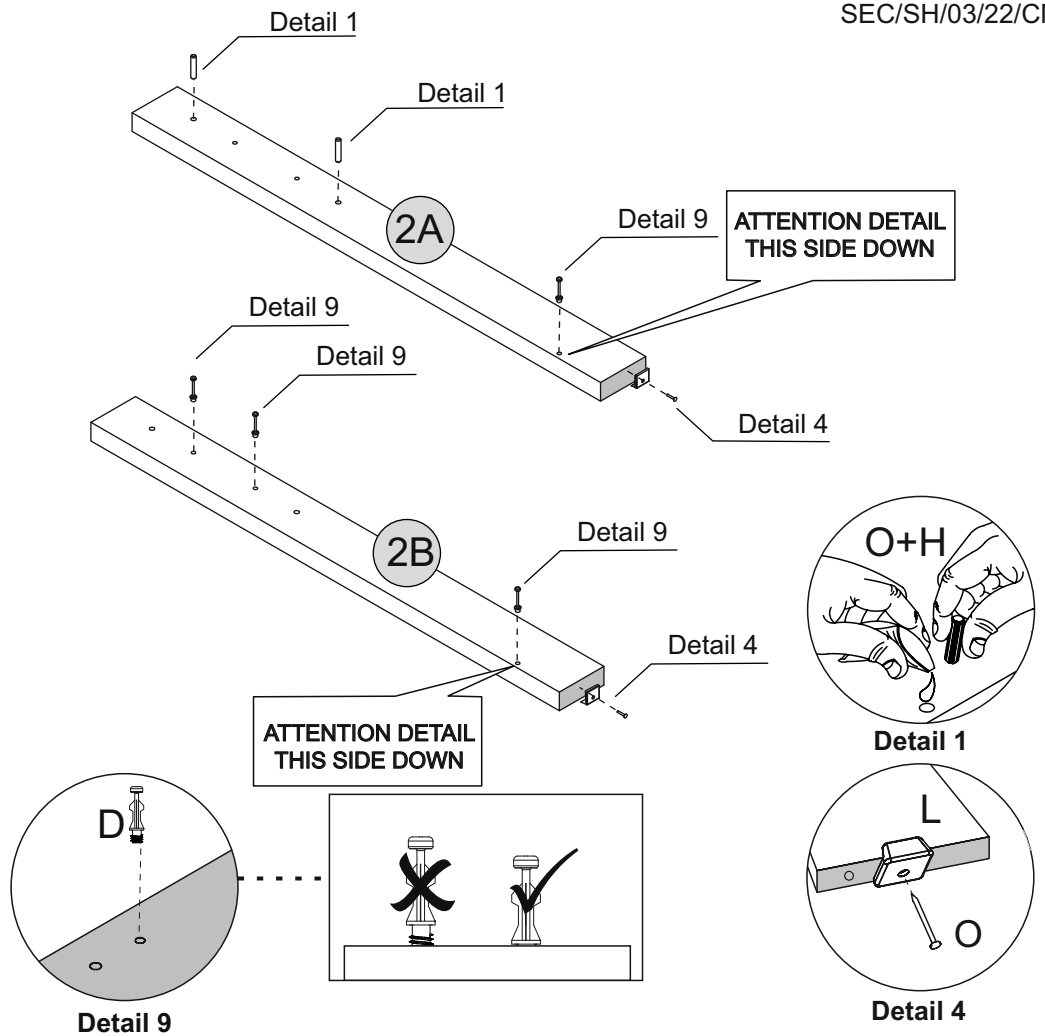
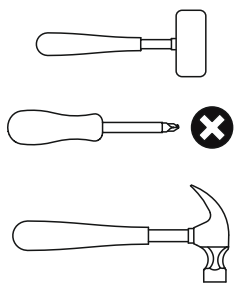
## PARTS REQUIRED

2 - LEFT LEG x2

## HARDWARE REQUIRED

D		04
H		02
J		02
K		02
O		01

## TOOLS REQUIRED



# STEP 2

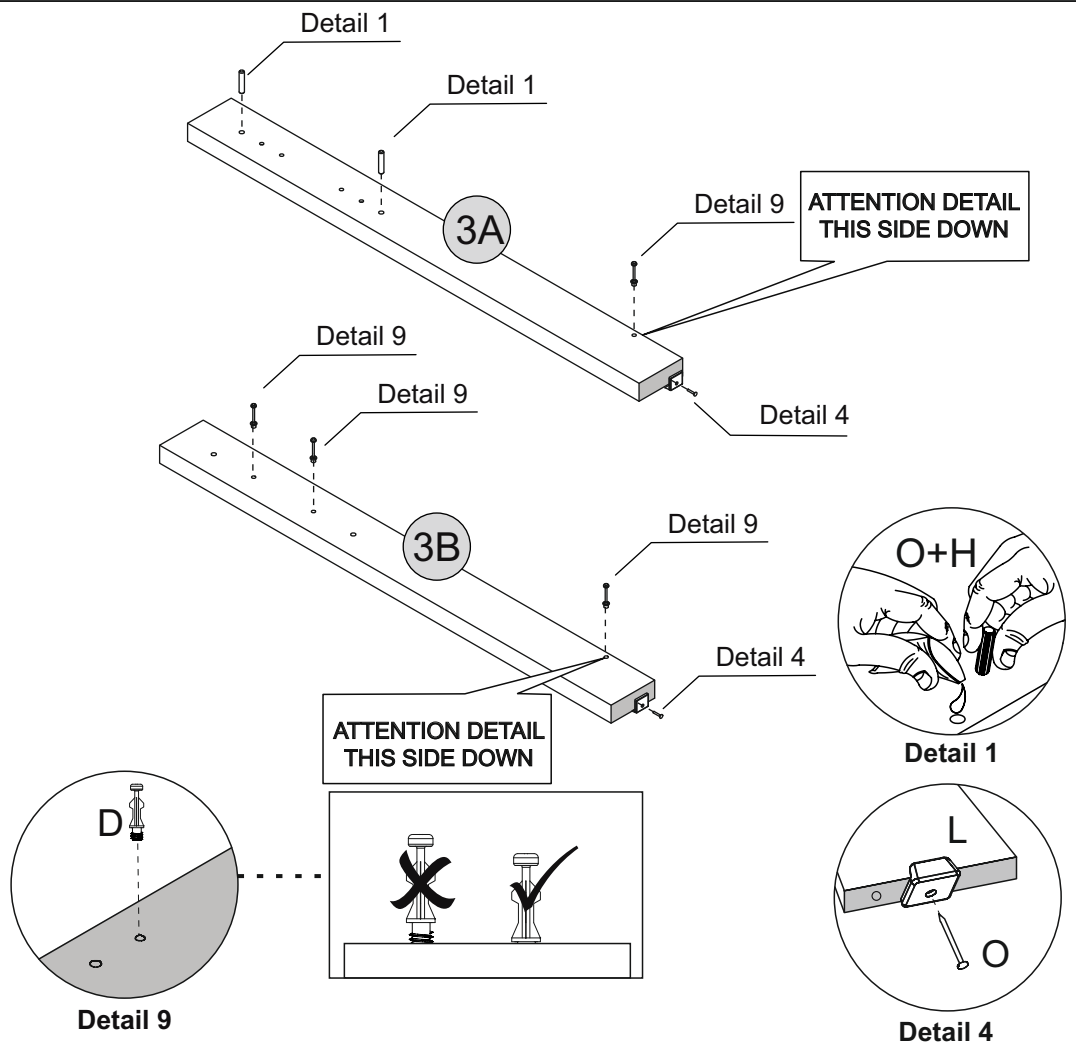
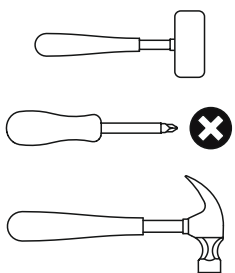
## PARTS REQUIRED

3 - RIGHT LEG x2

## HARDWARE REQUIRED

D		04
H		02
J		02
K		02
O		01

## TOOLS REQUIRED




# STEP 3

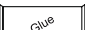
## PARTS REQUIRED

4 - SHELF x1

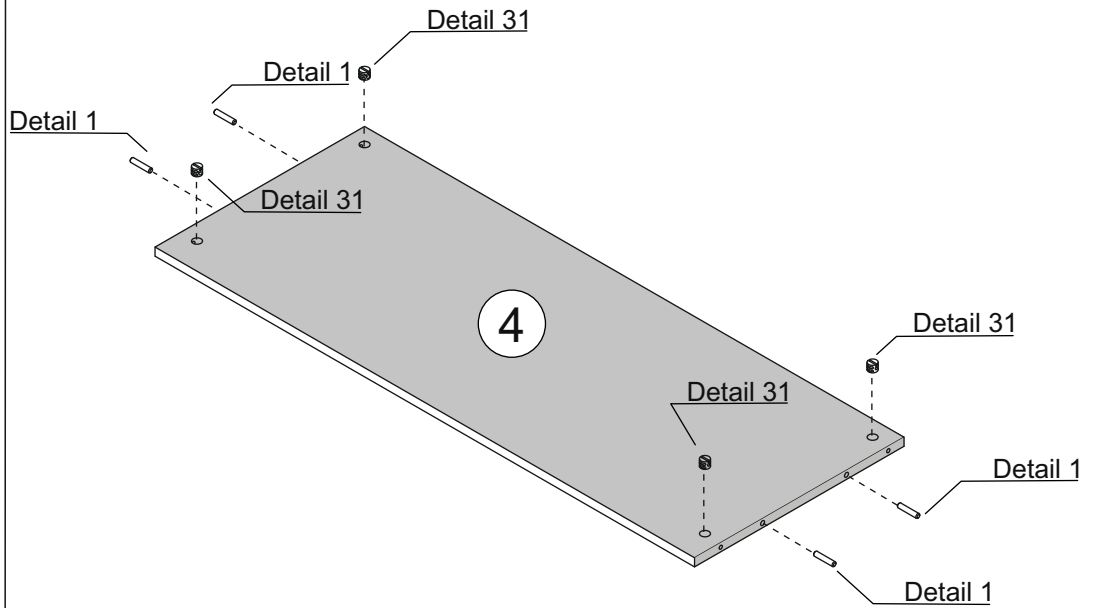
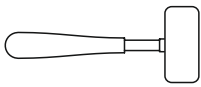
## HARDWARE REQUIRED

G  04

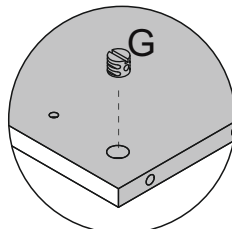
H  04  
Ø6,0 x 30mm

O  01

## TOOLS REQUIRED



Detail 1



Detail 31


# STEP 4

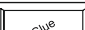
## PARTS REQUIRED

7 - LEFT SIDE PANEL x1

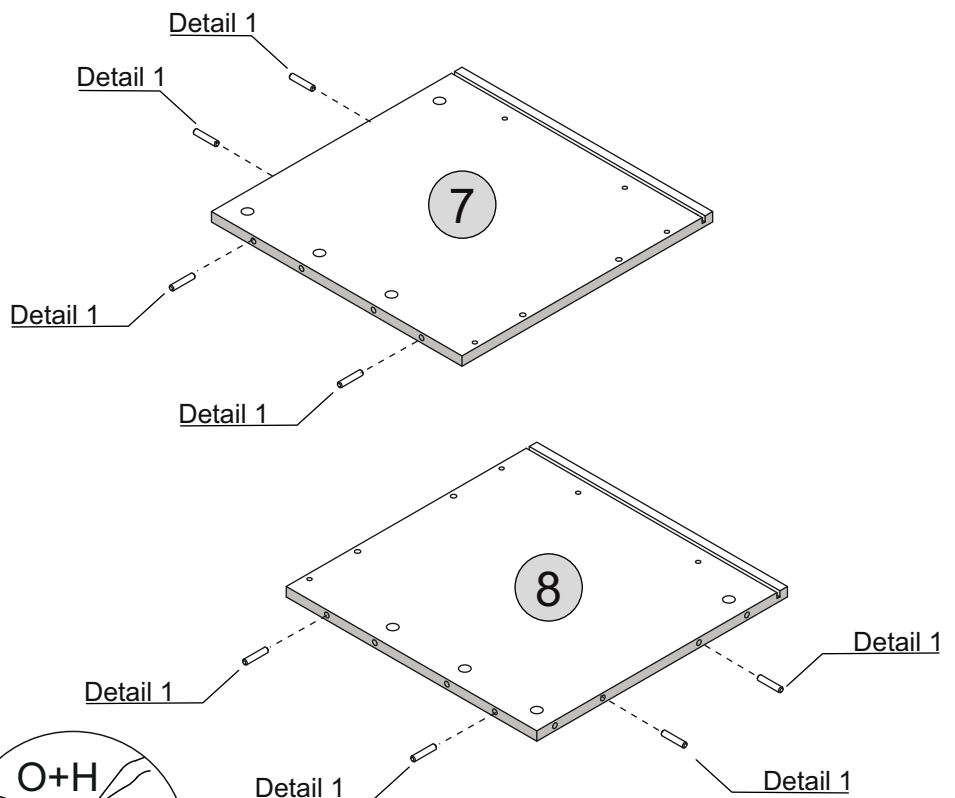
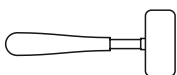
8 - RIGHT SIDE PANEL x1

## HARDWARE REQUIRED

H  08  
Ø6,0 x 30mm

O  01

## TOOLS REQUIRED




Detail 1

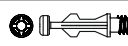
# STEP 5

## PARTS REQUIRED

9 - TOP PANEL x1

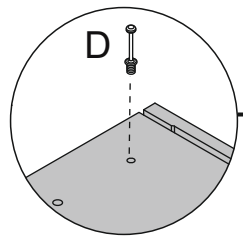
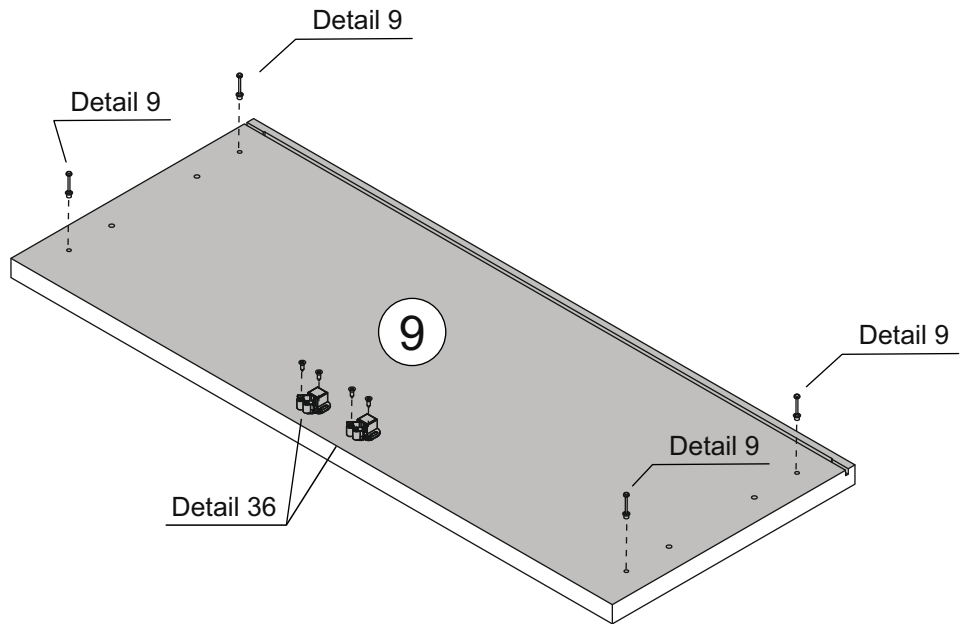
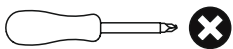
## HARDWARE REQUIRED

C  04  
Ø3,5 x 12mm

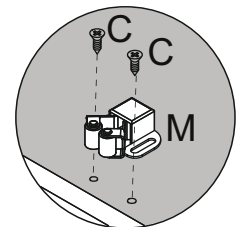
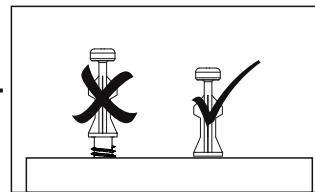
D  04

M  02

## TOOLS REQUIRED



Detail 9



Detail 36


# STEP 6

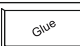
## PARTS REQUIRED

2 - LEFT LEG x1

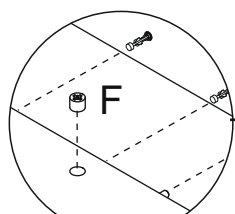
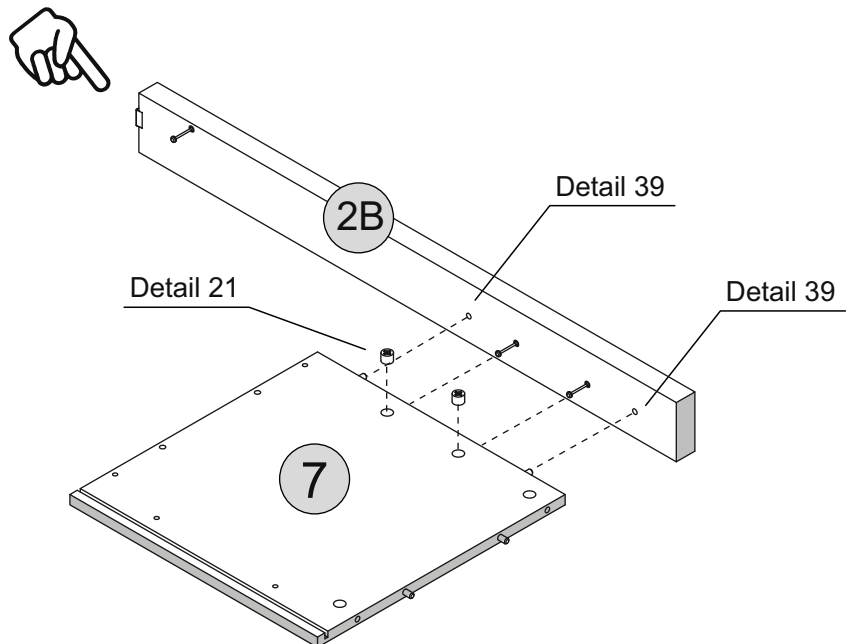
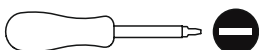
7 - LEFT SIDE PANEL x1

## HARDWARE REQUIRED

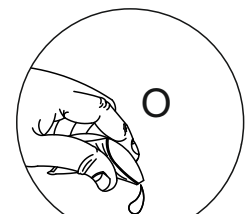
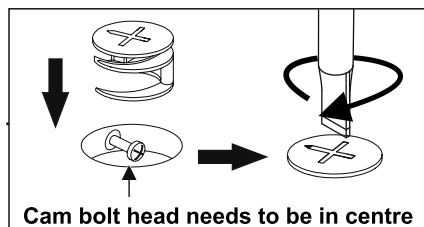
F  02

O  01

## TOOLS REQUIRED



Detail 21



Detail 39

# STEP 7


### PARTS REQUIRED

3 - RIGHT LEG x1

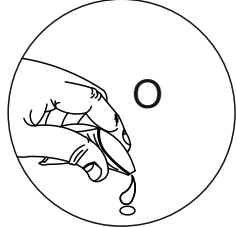
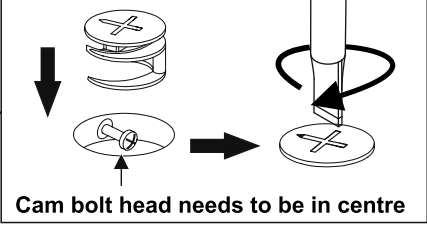
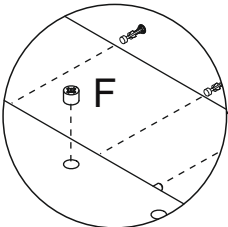
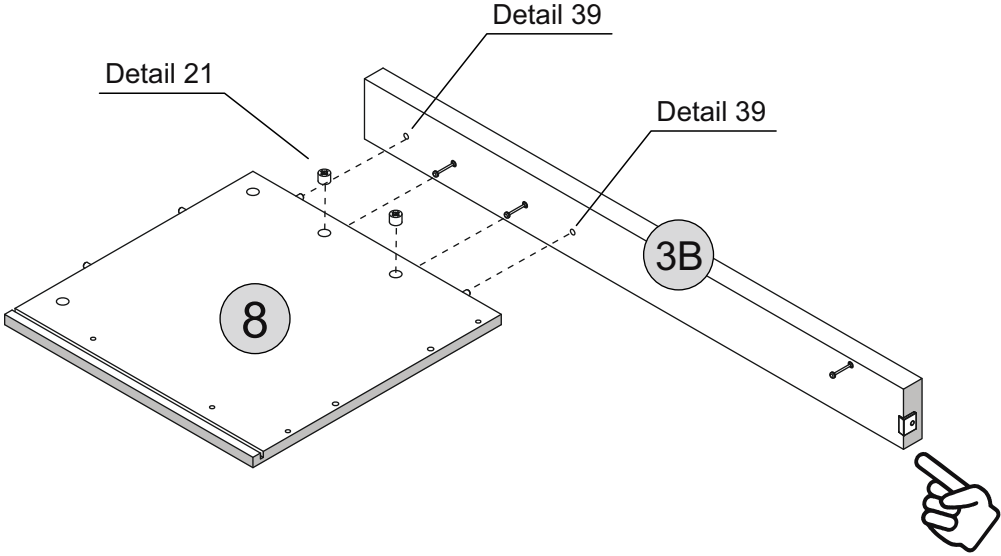
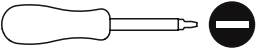
8 - RIGHT SIDE PANEL x1

### HARDWARE REQUIRED

F  02

O  01

### TOOLS REQUIRED



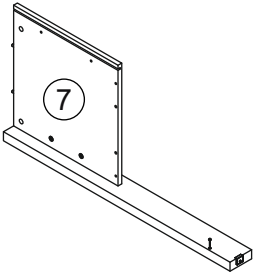
Detail 21

Detail 39

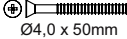
# STEP 8


### PARTS REQUIRED

4 - SHELF x1

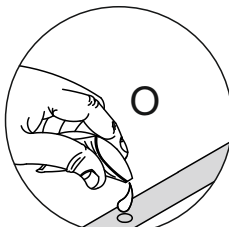
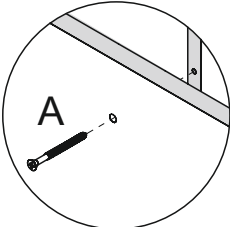
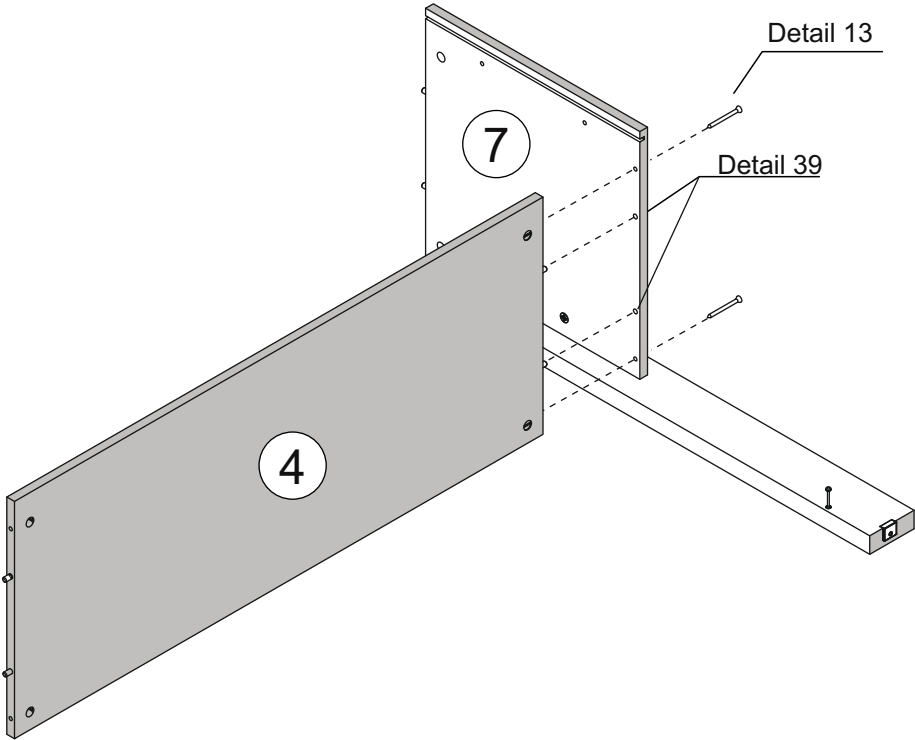
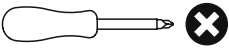


### HARDWARE REQUIRED

A  02  
Ø4,0 x 50mm

O  01

### TOOLS REQUIRED



Detail 13

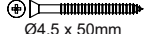
Detail 39


# STEP 9

**PARTS REQUIRED**

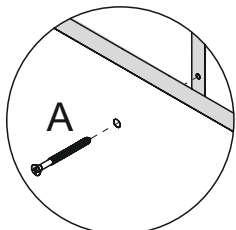
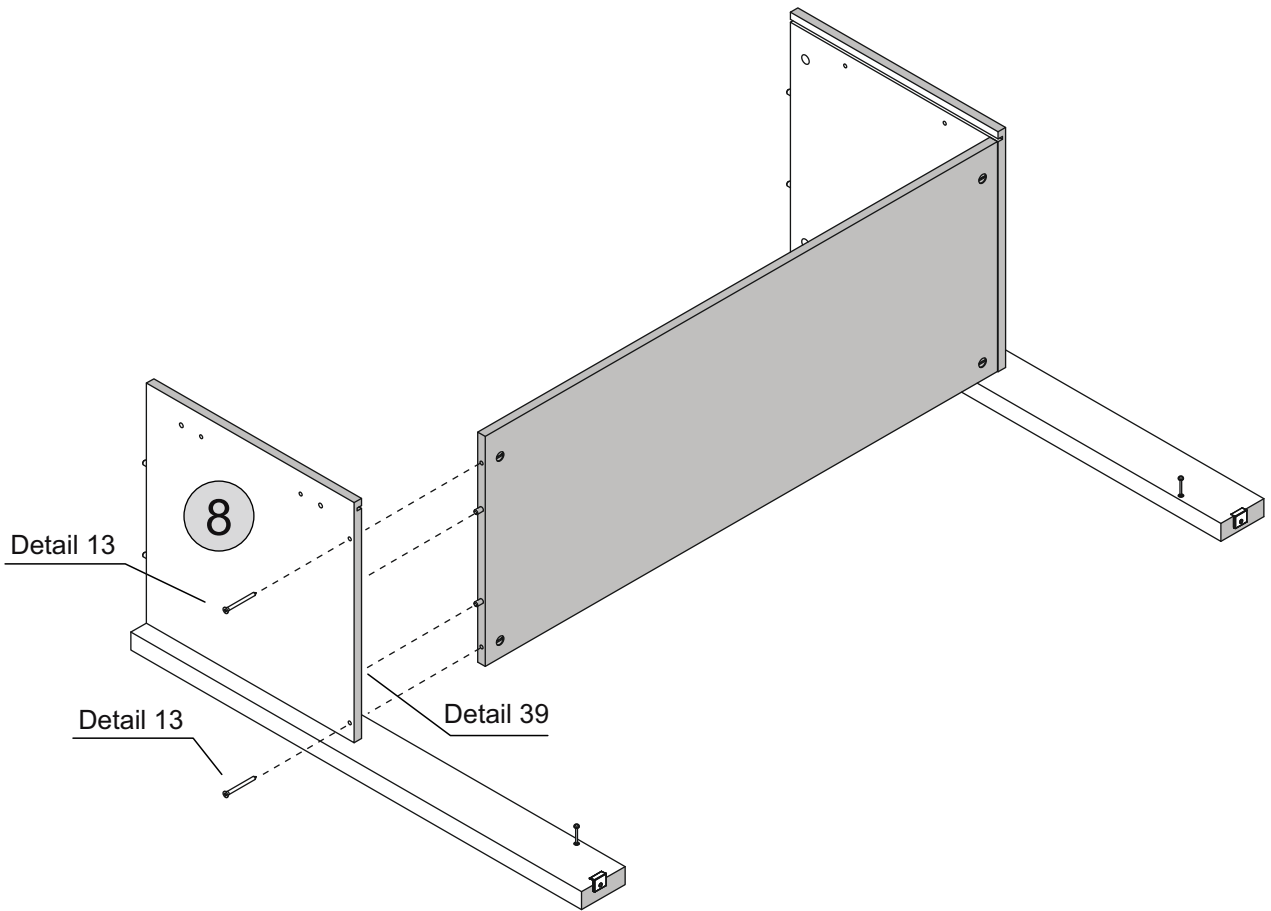
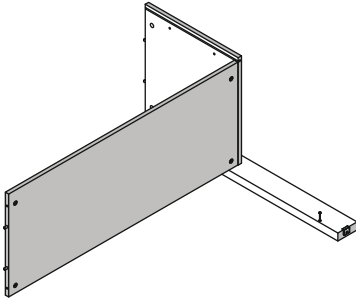
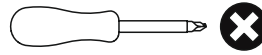
8 - RIGHT SIDE PANEL x1

**HARDWARE REQUIRED**

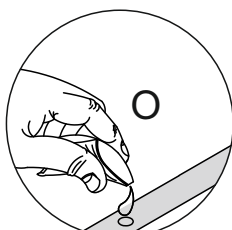
A  02  
Ø4,5 x 50mm

O  01

**TOOLS REQUIRED**



**Detail 13**



**Detail 39**



# STEP 10

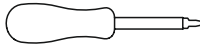

**PARTS REQUIRED**

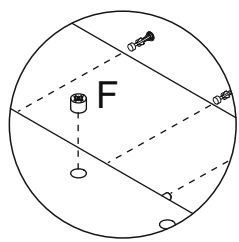
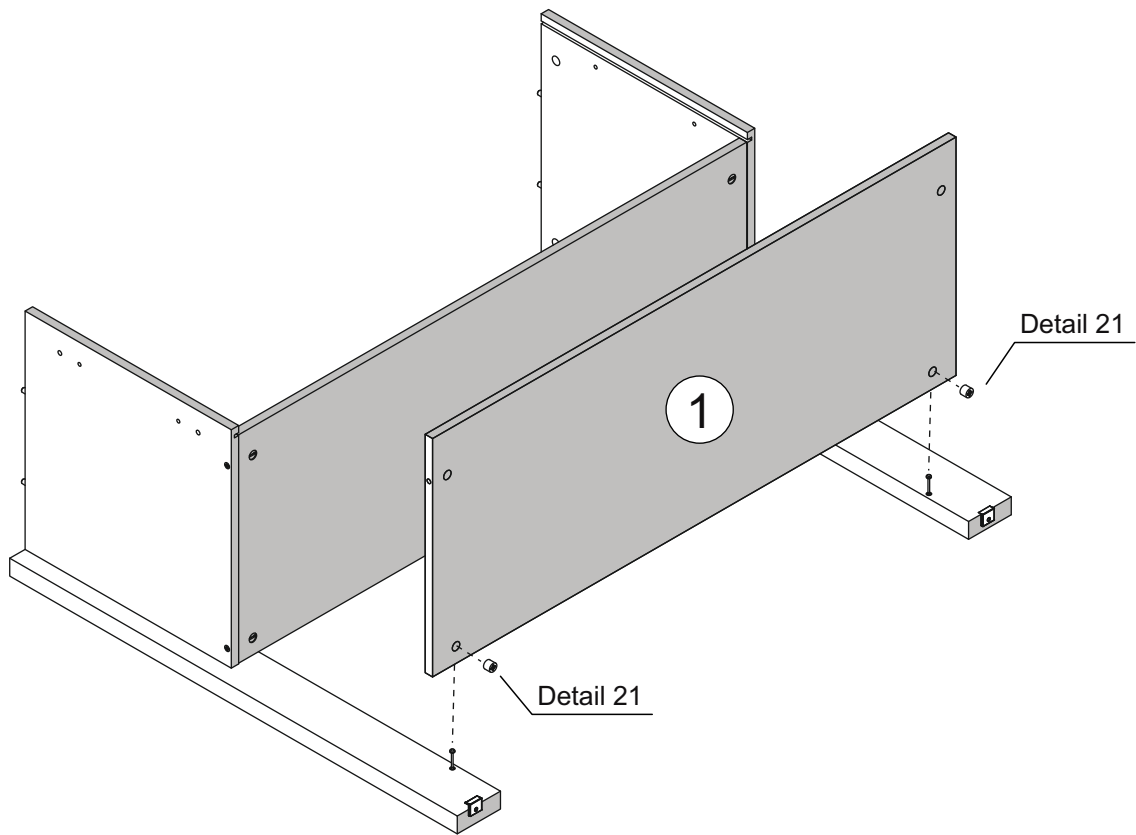
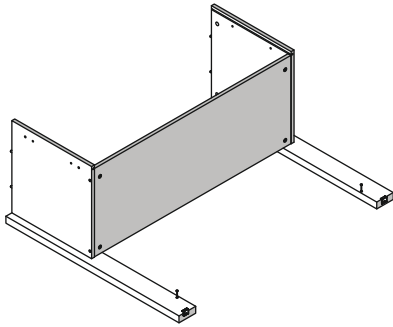
**HARDWARE REQUIRED**

**TOOLS REQUIRED**

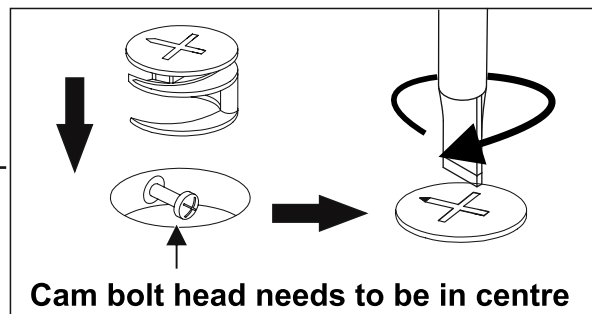
1 - BASE PANEL x1

F  02



Detail 21

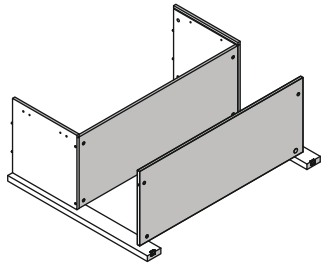


# STEP 11

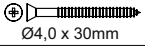
**PARTS REQUIRED**

2 - LEFT LEG x1

3 - RIGHT LEG x1



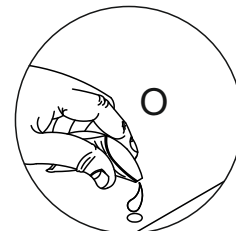
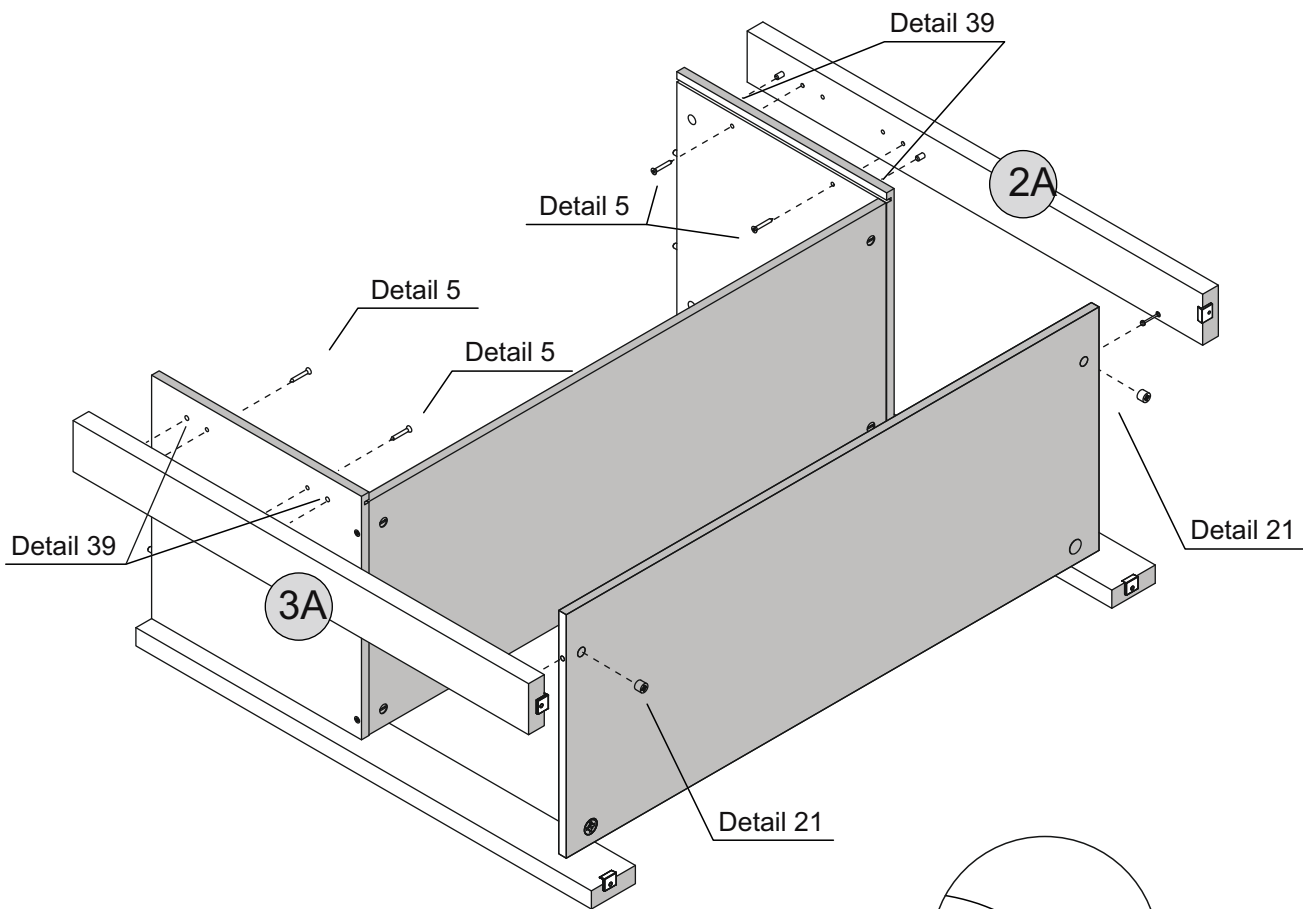
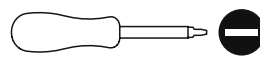
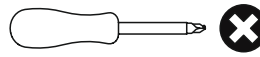
**HARDWARE REQUIRED**

B  04  
Ø4,0 x 30mm

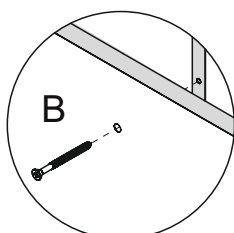
F  02

O  01

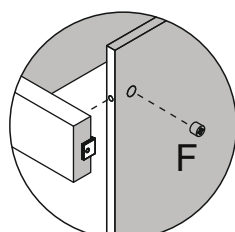
**TOOLS REQUIRED**



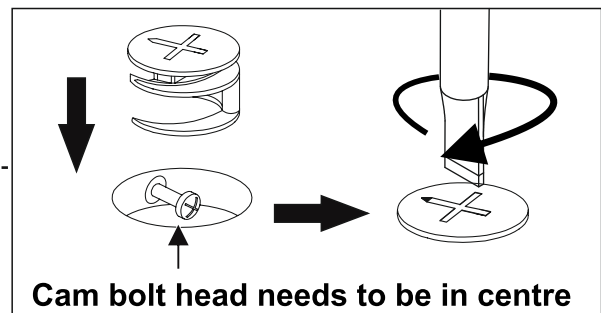
Detail 39



Detail 5



Detail 21




# STEP 12

**PARTS REQUIRED**

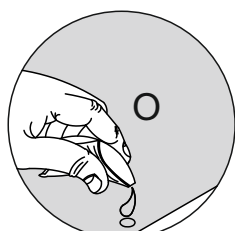
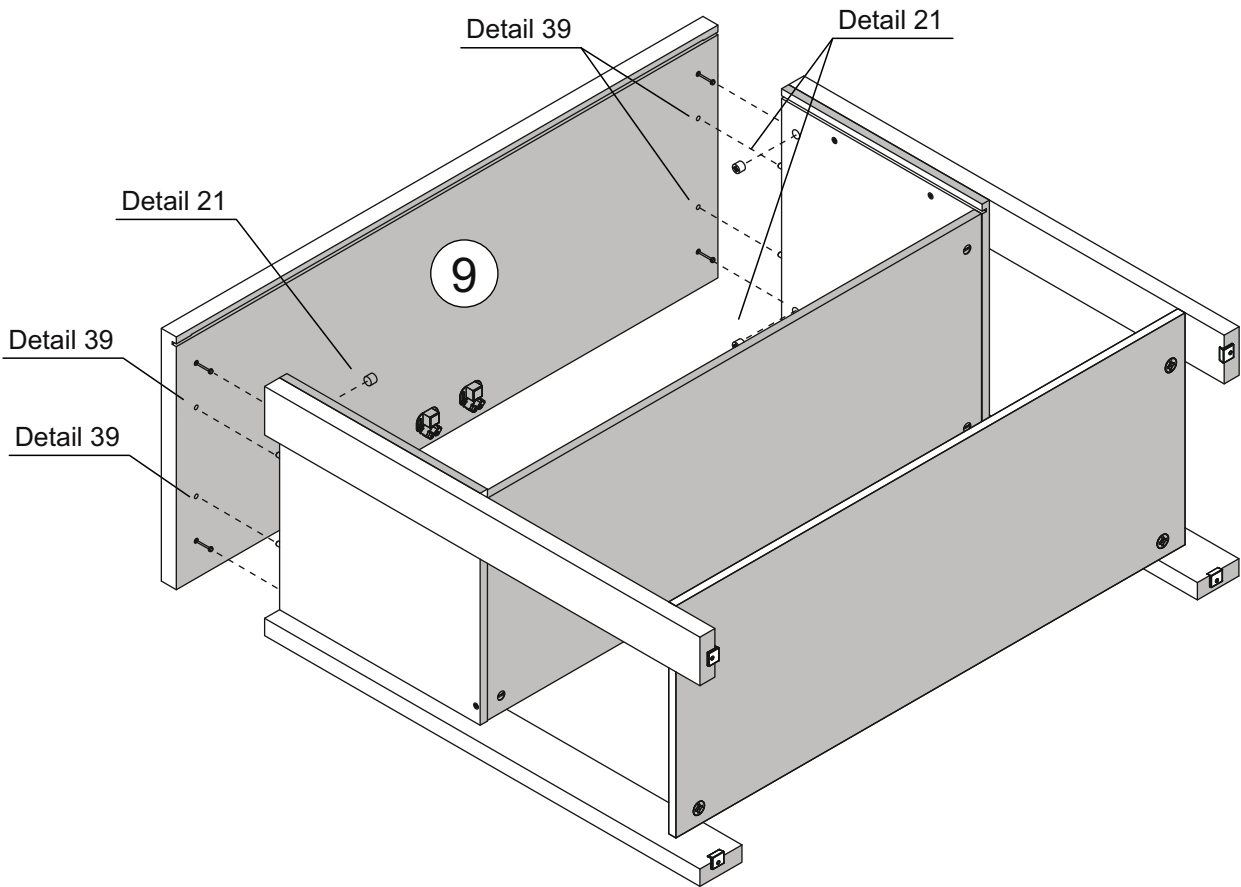
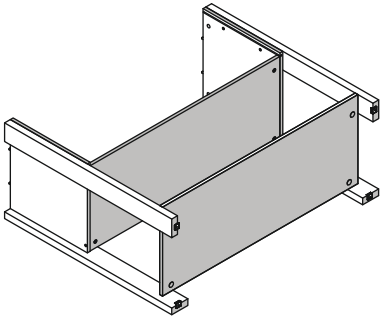
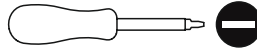
9 - TOP PANEL x1

**HARDWARE REQUIRED**

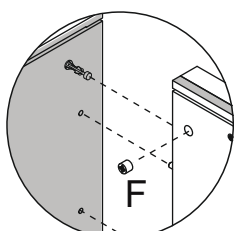
F  04

O  01

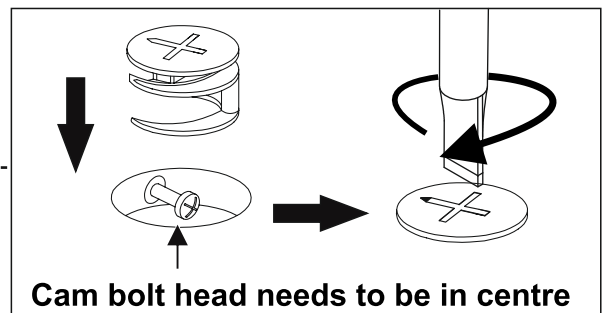
**TOOLS REQUIRED**



Detail 39



Detail 21



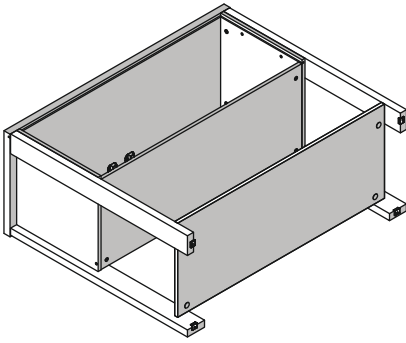
# STEP 13

PARTS REQUIRED

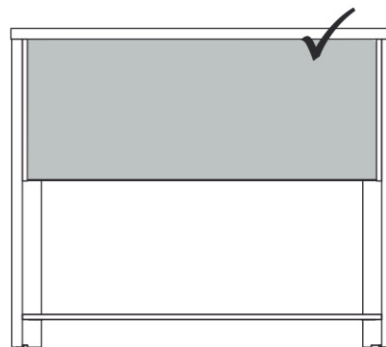
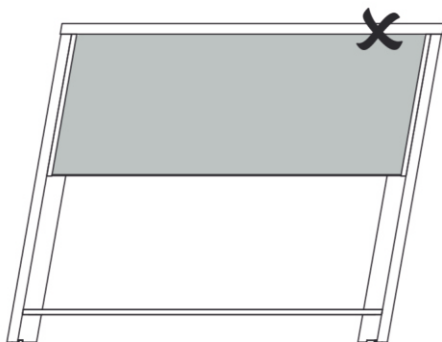
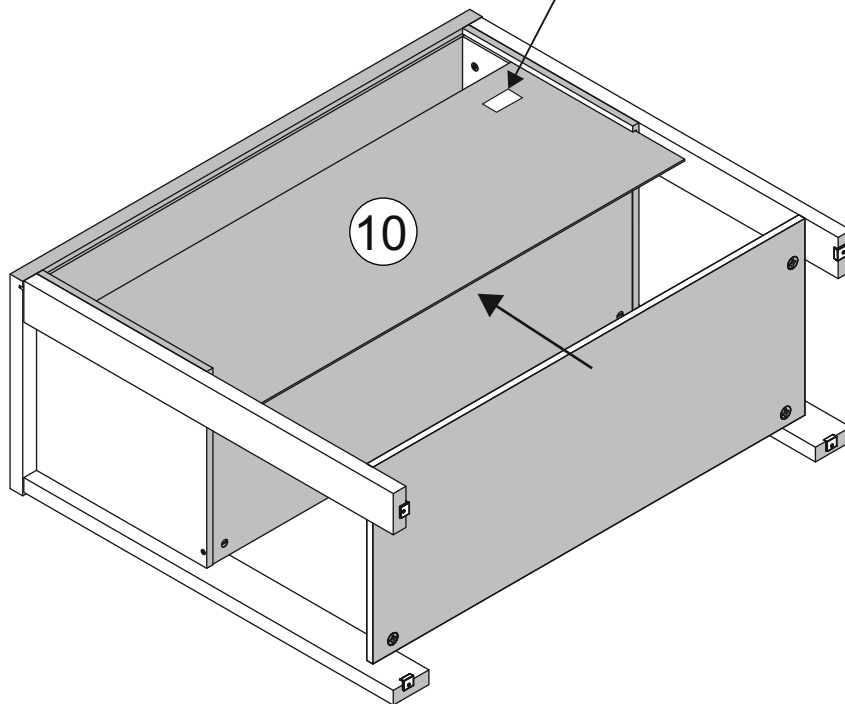
HARDWARE REQUIRED

TOOLS REQUIRED

10 - BACK PANEL x1

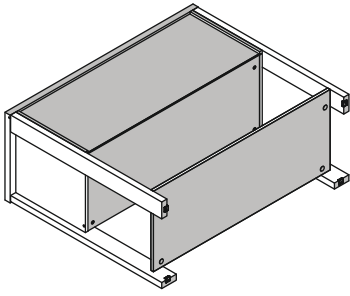


\*For Your Future Reference Order Number should be here.



# STEP 14

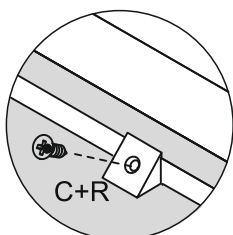
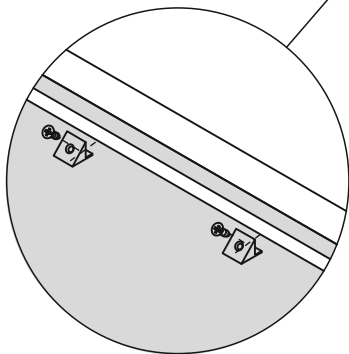
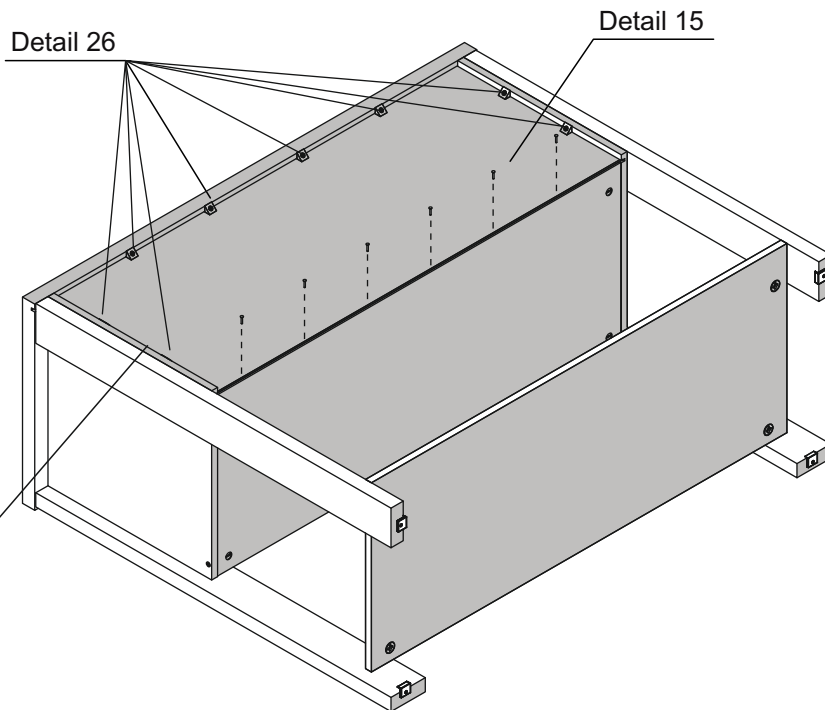
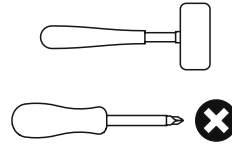
**PARTS REQUIRED**



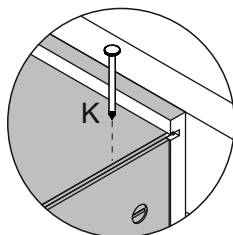
**HARDWARE REQUIRED**

I		08
K		06
R		08

**TOOLS REQUIRED**



**Detail 26**



**Detail 15**

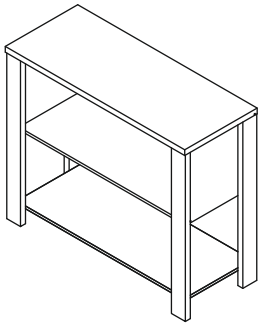


# STEP 17


## PARTS REQUIRED

5 - LEFT DOOR x1

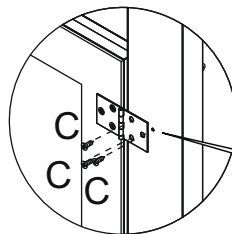
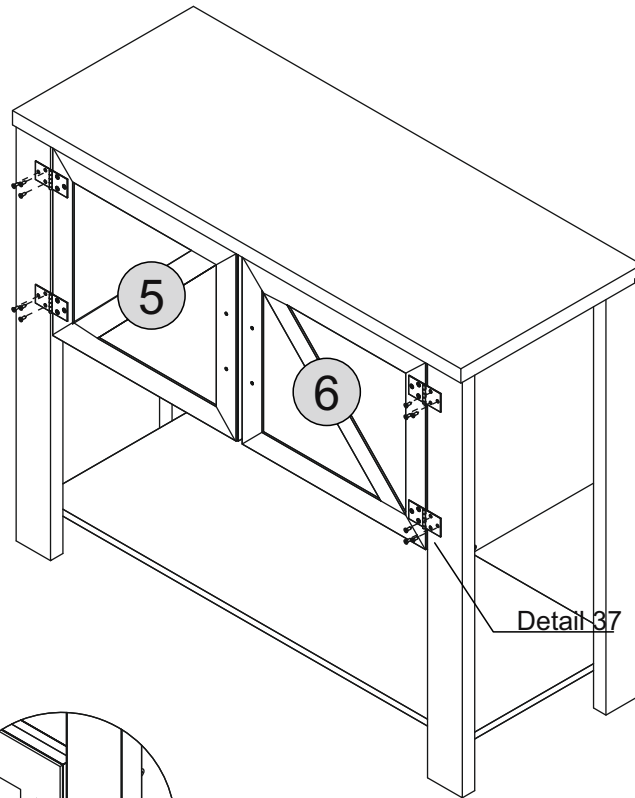
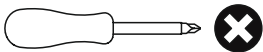
6 - RIGHT DOOR x1



## HARDWARE REQUIRED

C  12  
Ø3,5 x 12mm

## TOOLS REQUIRED



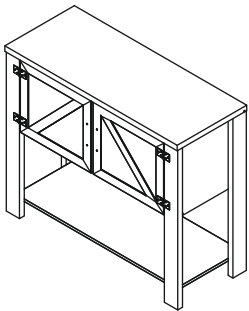
Detail 37

PLEASE NOTE  
PRE-DRILLED  
HOLES.

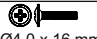
Detail 37


# STEP 18

## PARTS REQUIRED

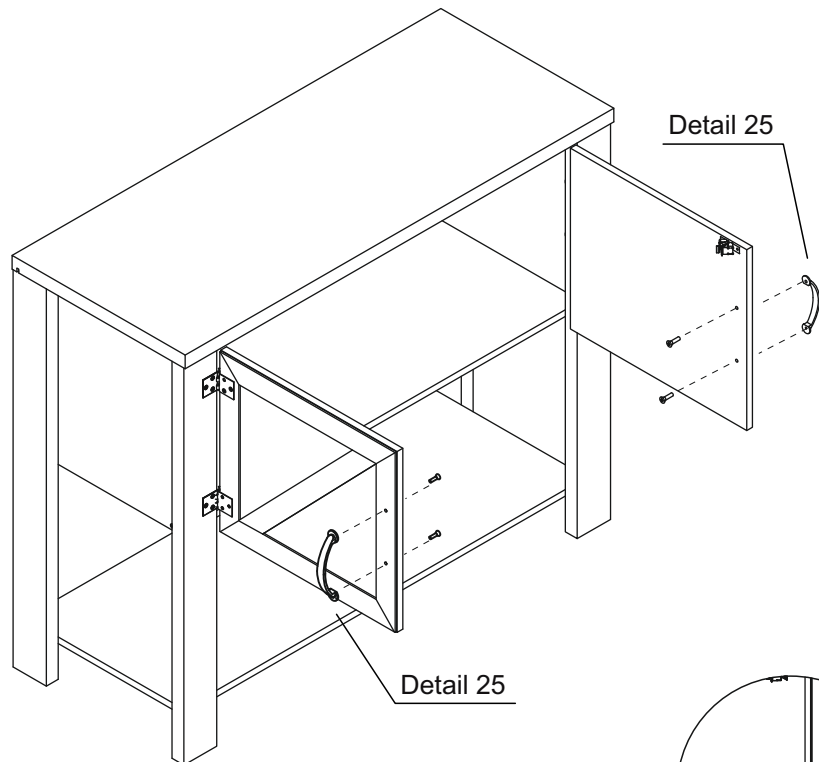
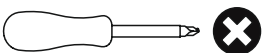


## HARDWARE REQUIRED

E  04  
Ø4,0 x 16 mm

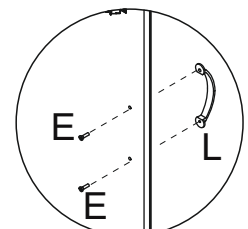
L  02

## TOOLS REQUIRED



Detail 25

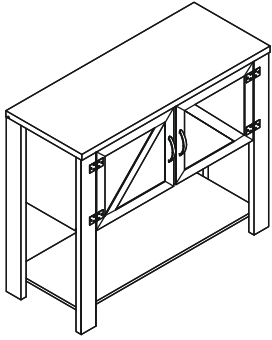
Detail 25



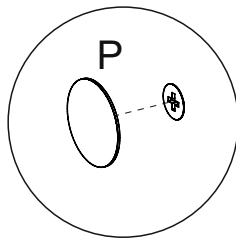
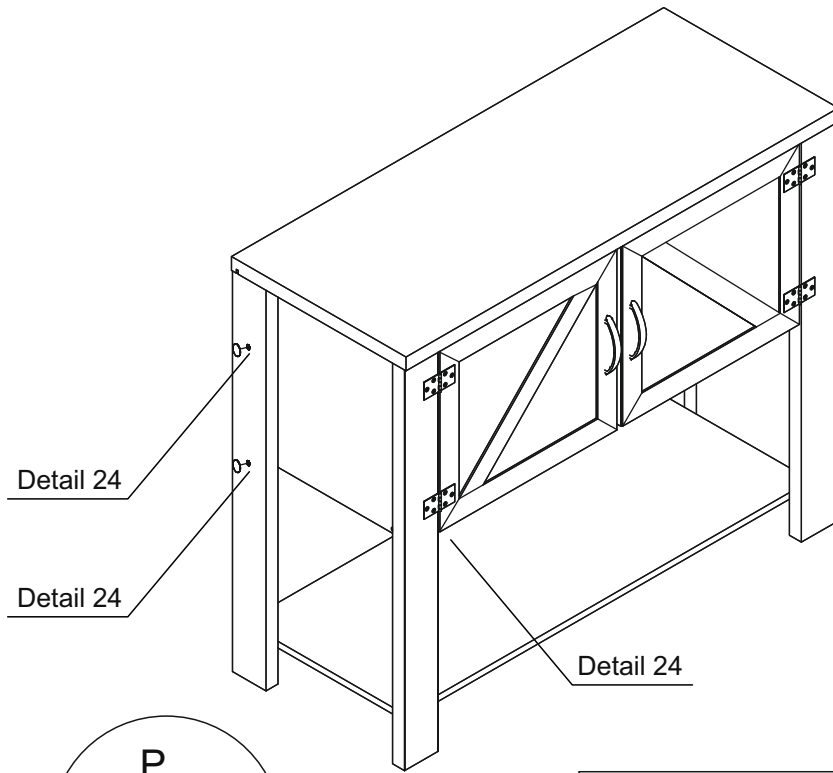
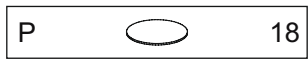
Detail 25

# STEP 19

**PARTS REQUIRED**



**HARDWARE REQUIRED**

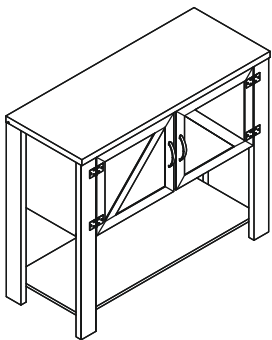


**Detail 24**

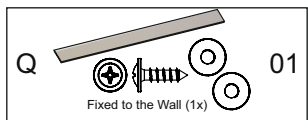
**TIP**  
 If desired, after assembly use an alcohol cleaner to erase the number printed on the parts.

# STEP 20

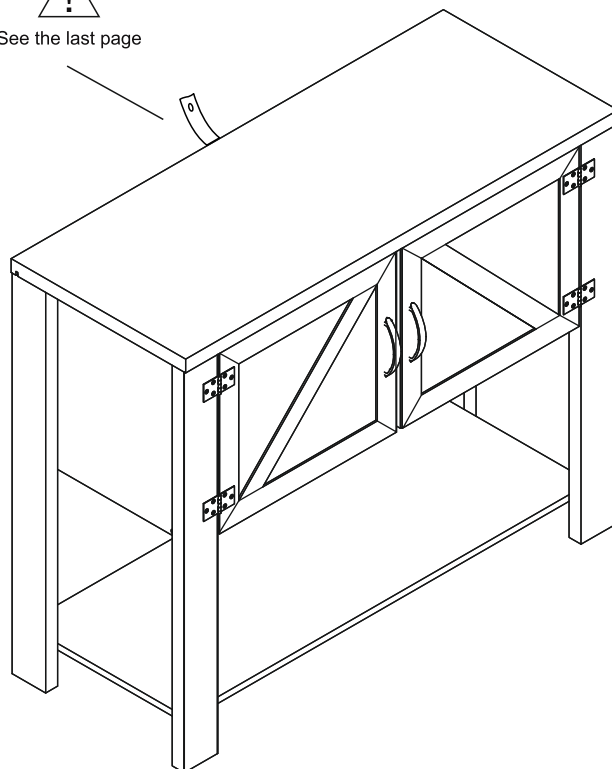
**PARTS REQUIRED**



**HARDWARE REQUIRED**



See the last page





## WARNING

**Serious or fatal injuries can occur from furniture tipping over. To prevent the furniture from tipping over we recommend that it is permanently fixed to the wall.**

Wall fixings are not supplied with this product as different wall materials require different types of fixing devices.

Please make sure you use fixings suitable for the walls in your home.

