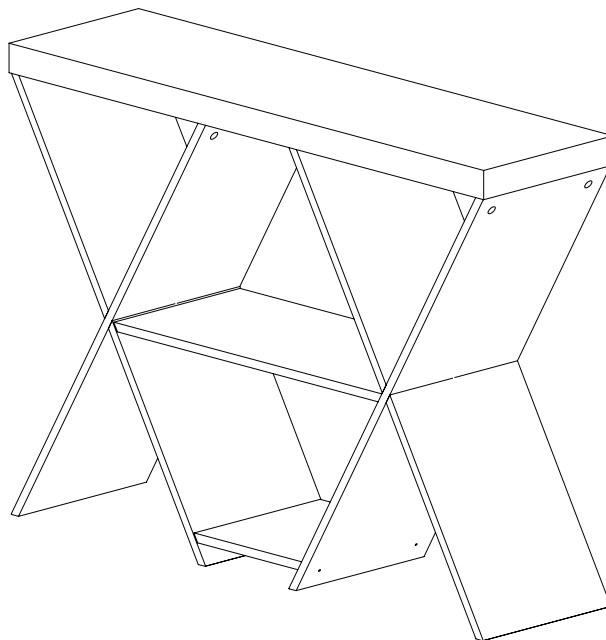


OAK EFFECT NAPLES CONSOLE TABLE ASSEMBLY INSTRUCTIONS



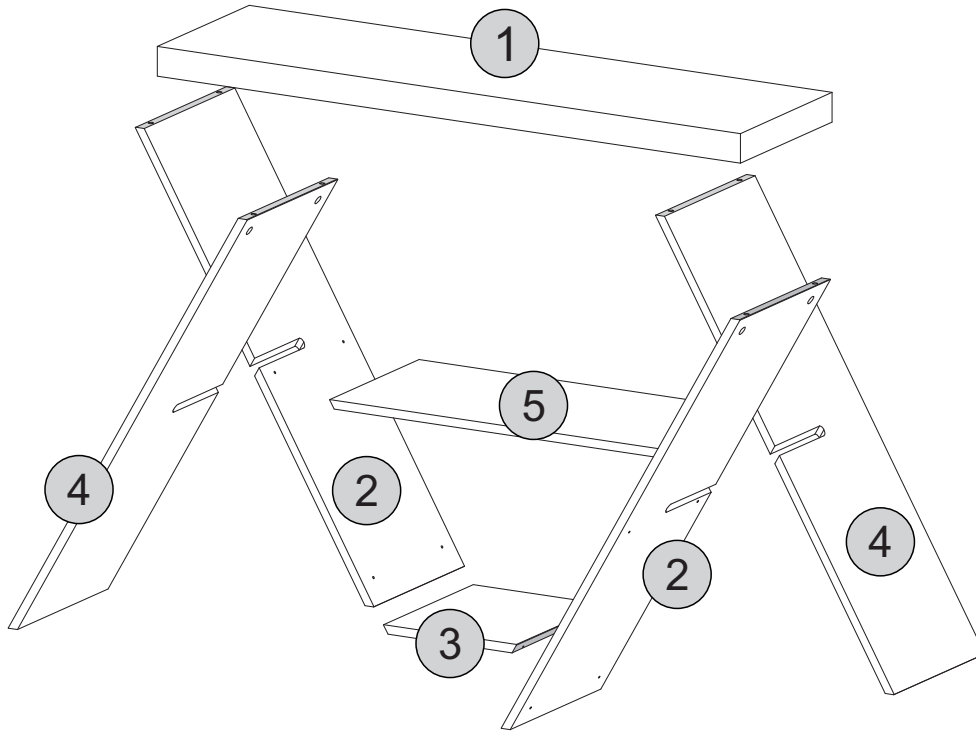
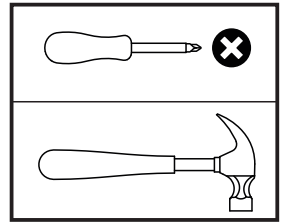
IMPORTANT FOR DOMESTIC USE ONLY

PLEASE READ BEFORE YOU CONTINUE FURTHER

CARE AND MAINTENANCE

After unpacking this product please keep the original packaging in case it needs to be returned for any reason.


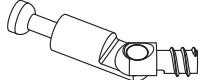
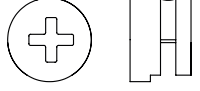


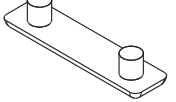
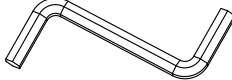


- Please ensure all fittings and parts are present before commencing with assembly.
- Never drag or push products as this could cause damage to the joints making it inferior.
- We strongly recommend that you keep children away from your work area.
- We recommend that you lay a blanket or sheet on the floor to avoid damage to both your floor and the product.
- Assemble this product as close to its final position as possible.
- Do not place this product next to a radiator or in direct sunlight.
- Do not drag or push items across your high gloss furniture as this may cause the surface to scratch
- Wood is a natural product and may expand if subjected to damp and may shrink or crack if subjected to heat. Therefore it is recommended that room temperature is maintained, with no sudden temperature fluctuations.
- Make sure any spillage is wiped off immediately.
- Do not place hot or chilled items directly on to the surface, use a place mat or marking will occur.
- For general cleaning use a soft cotton or micro fibre cloth, and do not use detergents of any kind.
- From time to time it may be necessary to tighten fittings, regular inspections should be carried out.
- Do not place on a wet or damp floor as staining may occur to your floor.

TOOLS REQUIRED**PARTS LIST*****Please Note:***

The below parts have all been stamped with the part number to help identify them during assembly.

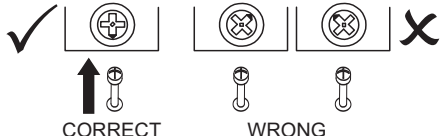
Part Number	Part Code	Part Description	Quantity	Carton
1	S300-304-026-AY1-01	Top	1	1/1
2	S300-304-026-AY1-02	External Side	2	1/1
3	S300-304-026-AY1-03	Base	1	1/1
4	S300-304-026-AY1-04	Inner Side	2	1/1
5	S300-304-026-AY1-05	Shelf	1	1/1

FITTINGS LIST

<p>A</p>  <p>Pan Head Screw Ø5 x 25mm (8x)</p> <p>1/+</p>	<p>B</p>  <p>Cam Bolt (8x)</p> <p>1/+</p>	<p>C</p>  <p>Cam Nut (8x)</p> <p>1/+</p>	<p>D</p>  <p>Washer (2x)</p> <p>1/+</p>
<p>E</p>  <p>Flat Head Screw Ø4 x 14mm (1x)</p> <p>1/+</p>	<p>F</p>  <p>Plastic Foot 48X12X9mm (8x)</p>	<p>G</p>  <p>Allen Key (1x)</p>	<p>H</p>  <p>Strap (1x)</p>
<p>I</p>  <p>Hole Plug (8x)</p> <p>1/+</p>			


TIPS FOR FITTINGS CAM-LOCKS

WHEN FITTING CAM NUT. ENSURE STARTING POSITION IS CORRECT BEFORE YOU INSERT CONNECTING CAM BOLT TURN CLOCKWISE UNTIL SECURE



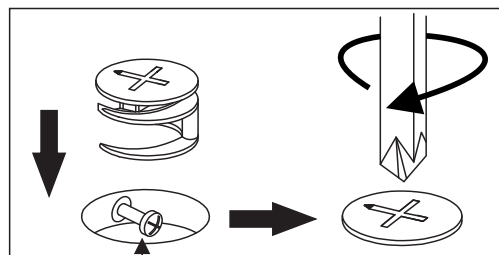
↑

CORRECT



↓

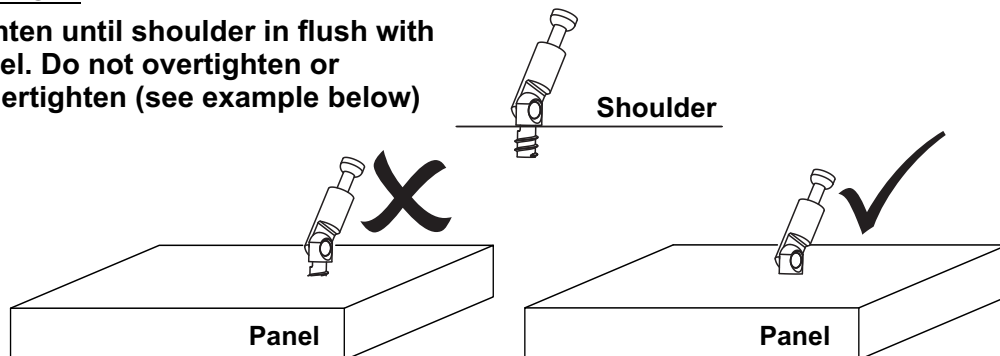
WRONG



Cam bolt head needs to be in centre

CAMBOLT

Tighten until shoulder in flush with panel. Do not overtighten or undertighten (see example below)



STEP 1

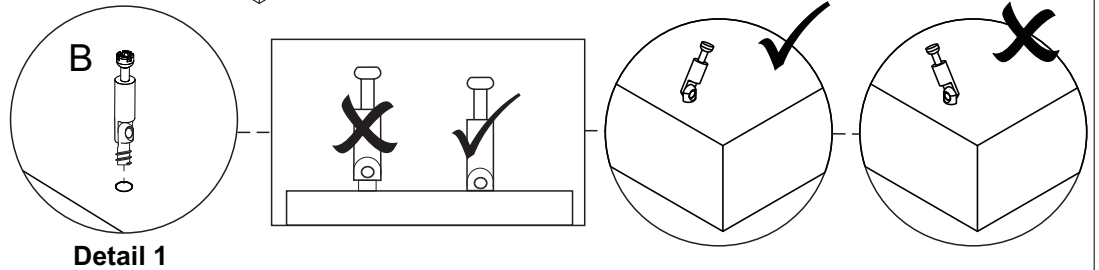
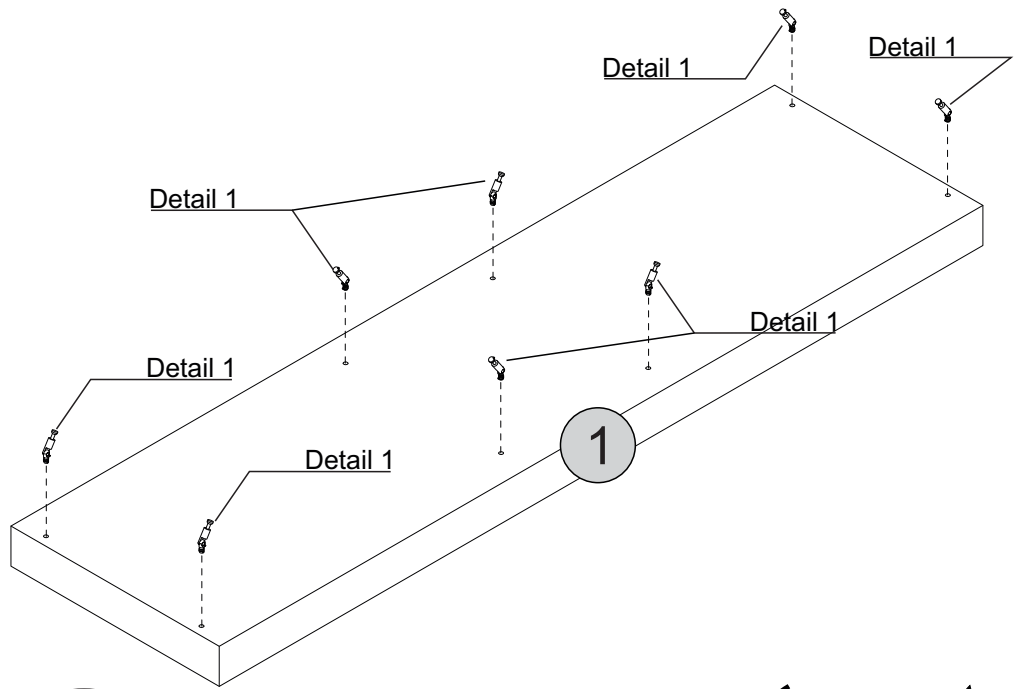
PARTS REQUIRED

1 - TOP x1

HARDWARE REQUIRED

B  08

TOOLS REQUIRED



STEP 2

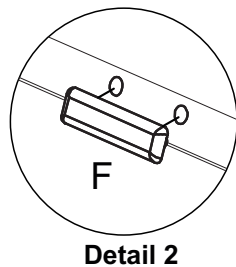
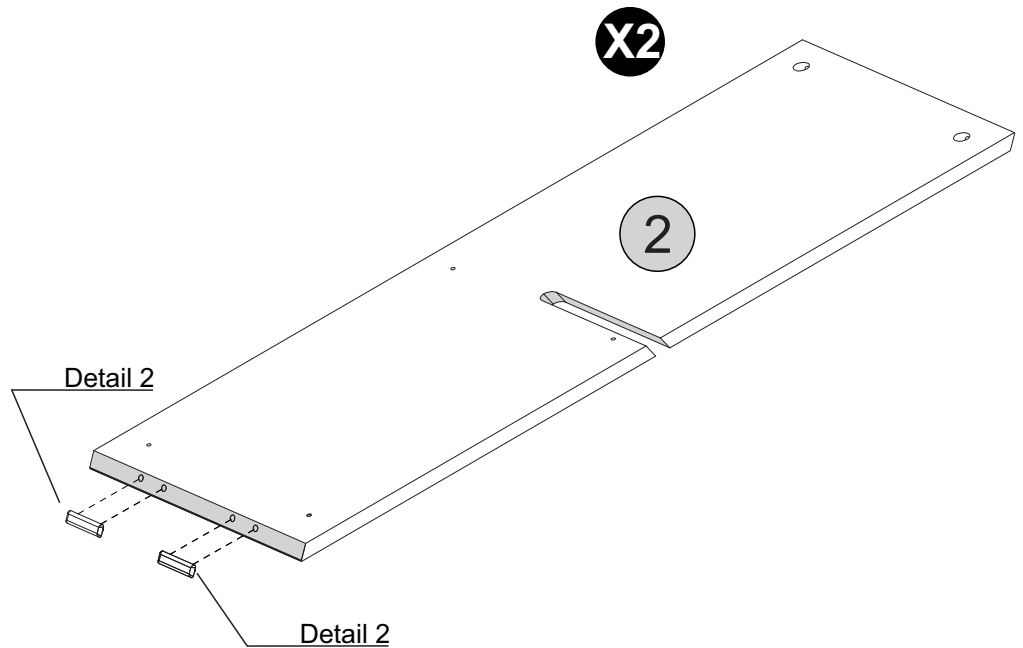
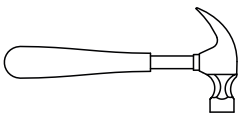
PARTS REQUIRED

2 - EXTERNAL SIDE x2

HARDWARE REQUIRED

F  x4

TOOLS REQUIRED

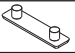


STEP 3

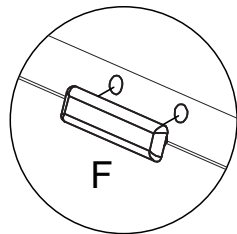
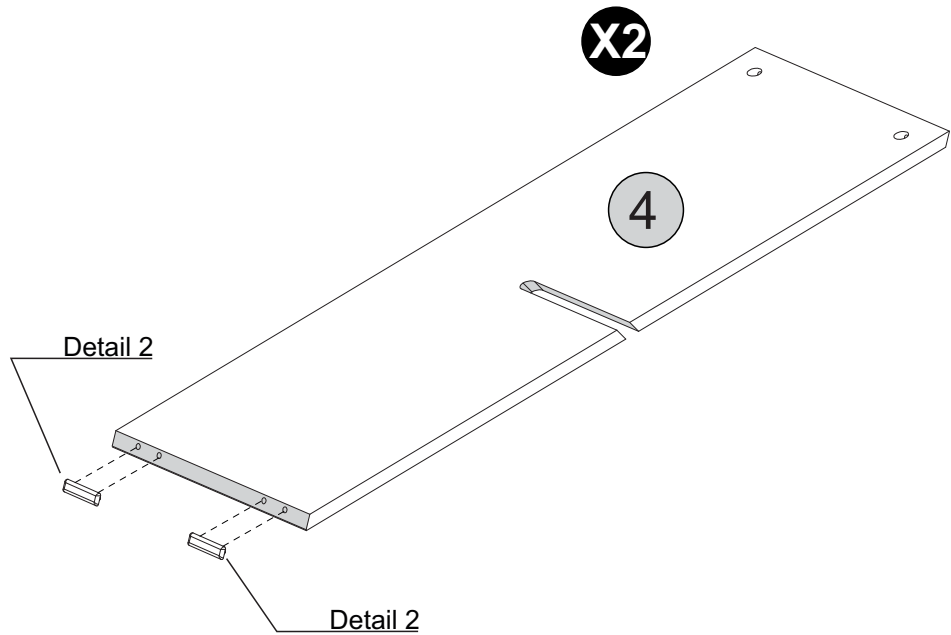
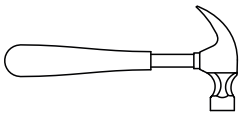
PARTS REQUIRED

4 - INNER SIDE x2

HARDWARE REQUIRED

F  x4

TOOLS REQUIRED



Detail 2

STEP 4

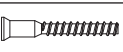
PARTS REQUIRED

2 - EXTERNAL SIDE x1

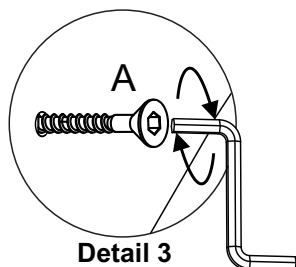
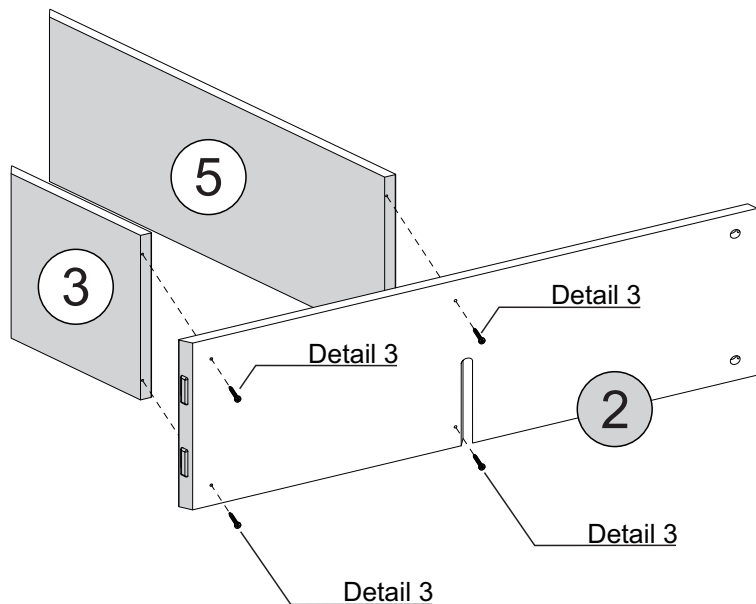
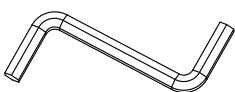
3 - BASE x1

5 - SHELF x1

HARDWARE REQUIRED

A  04

TOOLS REQUIRED

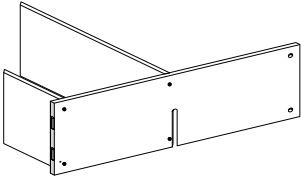


Detail 3

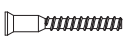
STEP 5

PARTS REQUIRED

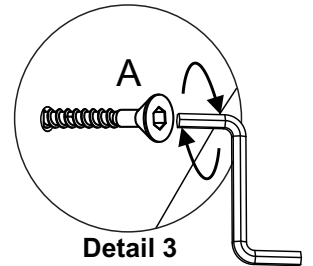
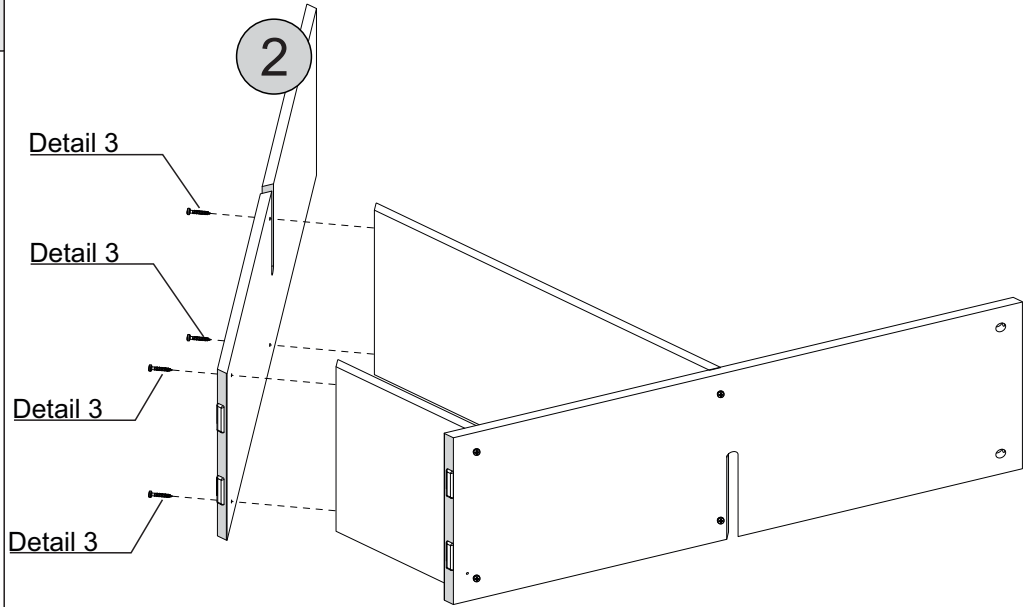
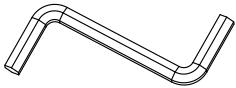
2 - EXTERNAL SIDE x1



HARDWARE REQUIRED

A  04

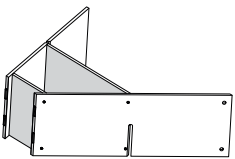
TOOLS REQUIRED



STEP 6

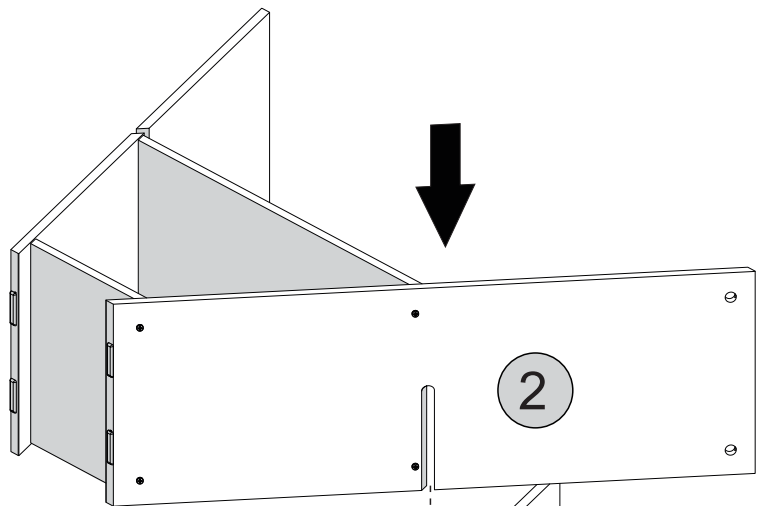
PARTS REQUIRED

4 - INNER SIDE x1

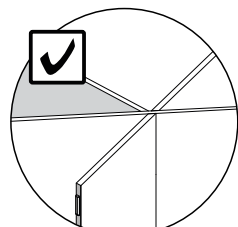


HARDWARE REQUIRED

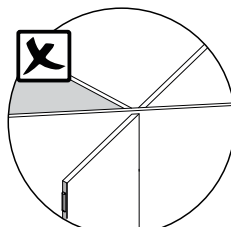
TOOLS REQUIRED



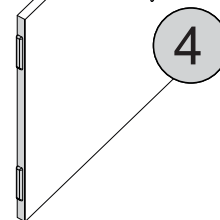
Detail 4



Detail 4



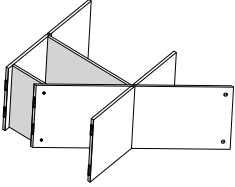
Detail 4



STEP 7

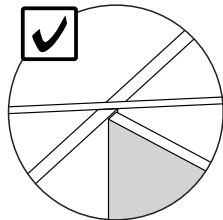
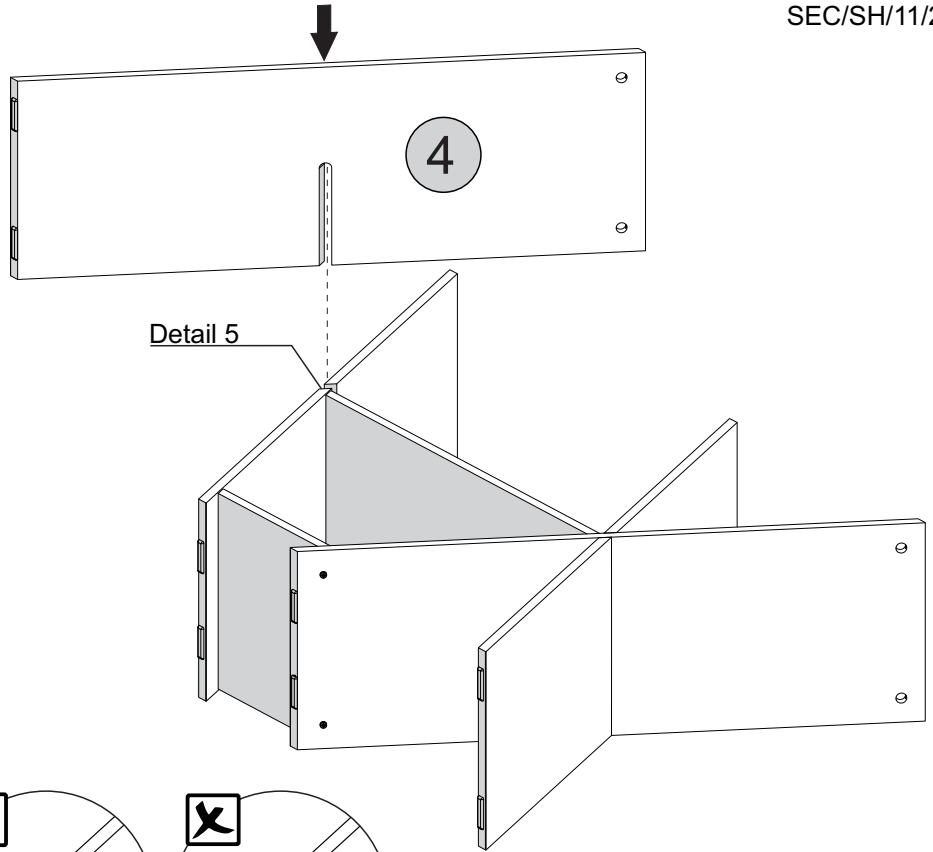
PARTS REQUIRED

4 - INNER SIDE x1

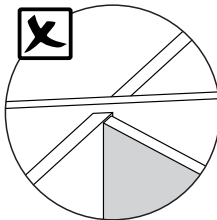


HARDWARE REQUIRED

TOOLS REQUIRED



Detail 5

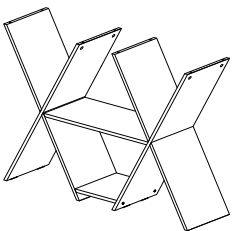


Detail 5



STEP 8

PARTS REQUIRED

1 - TOP x1

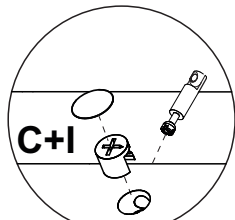
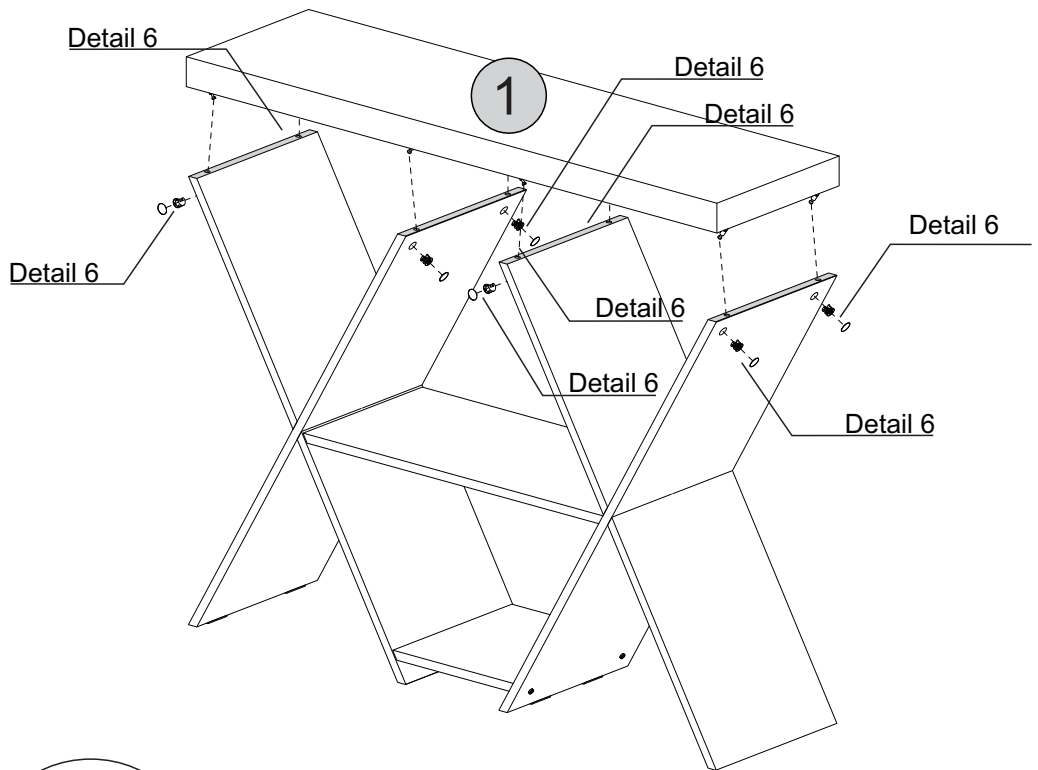
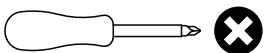


HARDWARE REQUIRED

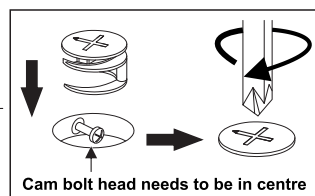
C   08

I  08

TOOLS REQUIRED



Detail 6

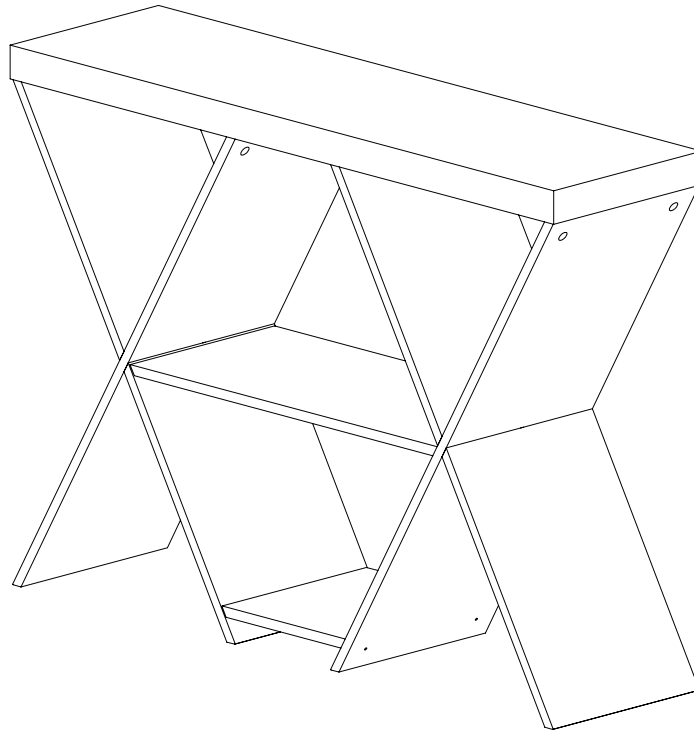


STEP 9

PARTS REQUIRED

HARDWARE REQUIRED

TOOLS REQUIRED



WARNING

Serious or fatal injuries can occur from furniture tipping over. To prevent the furniture from tipping over we recommend that it is permanently fixed to the wall.

Wall fixings are not supplied with this product as different wall materials require different types of fixing devices. Please make sure you use fixings suitable for the walls in your home.

