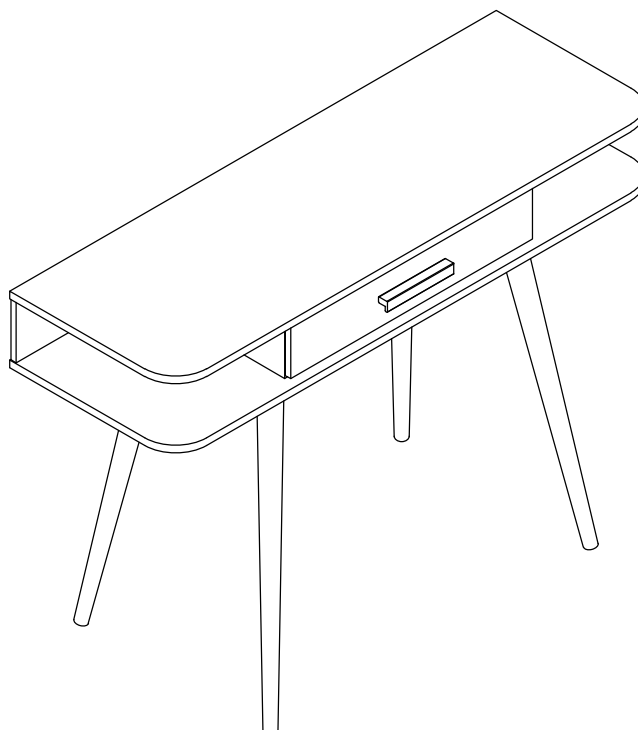
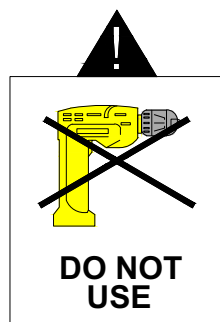


SAXTON 1 DRAWER CONSOLE TABLE ASSEMBLY INSTRUCTIONS



IMPORTANT FOR DOMESTIC USE ONLY PLEASE READ BEFORE YOU CONTINUE FURTHER

THE PRODUCT YOU HAVE PURCHASED WILL GIVE YOU MANY YEARS OF SERVICE IF YOU FOLLOW THE GUIDELINES FOR ITS SAFE ASSEMBLY AND PERIODIC MAINTENANCE AND CLEANING.

ASSEMBLE ON A SOFT CLEAN SURFACE.

DO NOT USE ANY TOOLS OTHER THAN THOSE SHOWN.

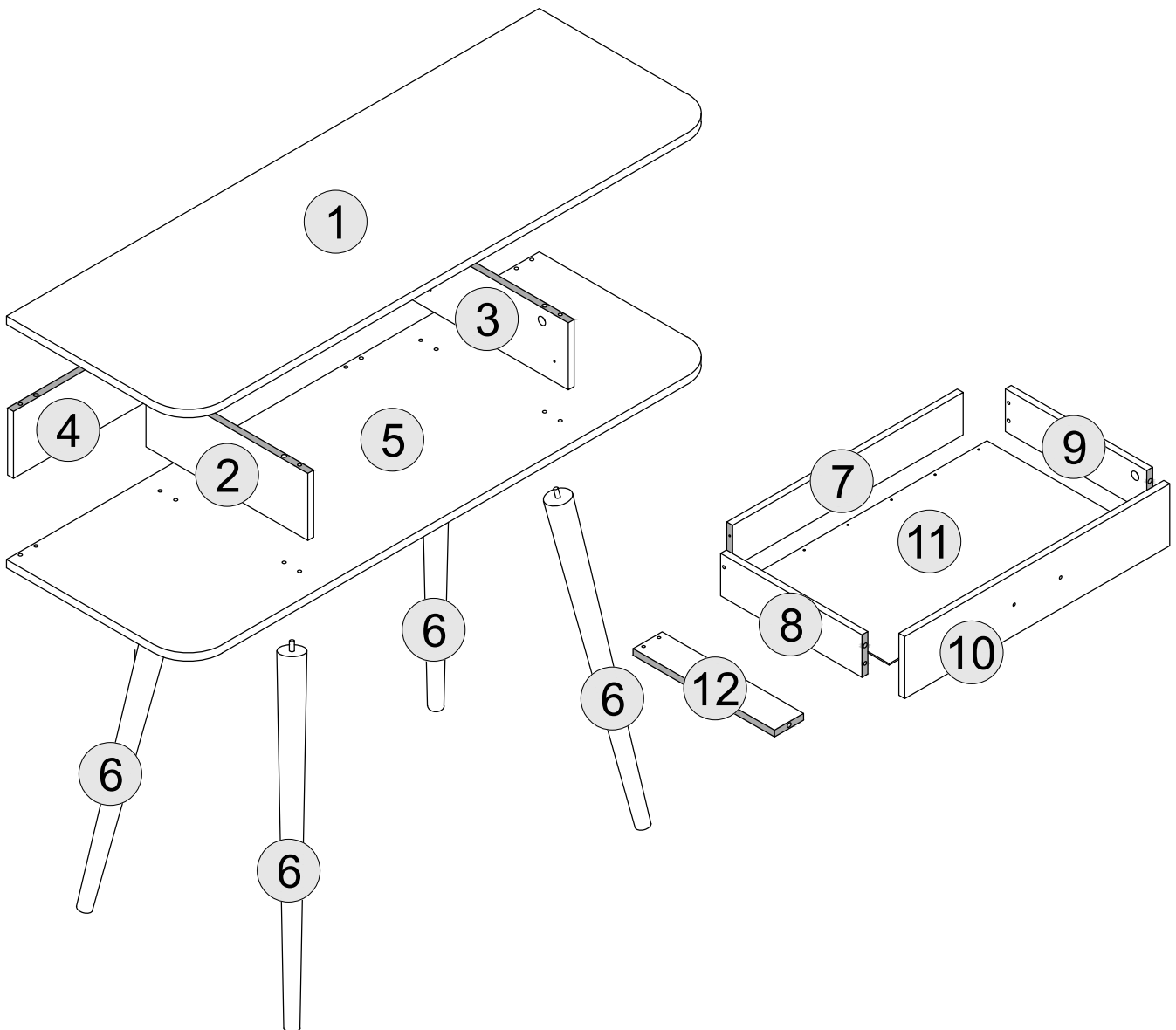
ANY SPANNERS OR ALLEN KEYS REQUIRED ARE INCLUDED WITH THE FITTINGS KIT.

DO NOT FOR ANY REASON USE A POWER TOOL TO ASSEMBLE THIS PRODUCT. ITS USE WILL INVALIDATE ANY CLAIM YOU MAY HAVE AND COULD MAKE THIS PRODUCT UNSAFE.

DEPENDING ON THE AMOUNT OF USE THIS PRODUCT RECEIVES IT MAY BE NECESSARY TO TIGHTEN UP THE FIXINGS FROM TIME TO TIME. THIS IS COMPLETELY NORMAL FOR ANY FLAT PACK FURNITURE. DO NOT OVERTIGHTEN FIXING.

FOR CLEANING, YOU MAY USE A DAMP CLOTH (NOT WET) DO NOT USE POLISH, DETERGENT OR CHEMICAL CLEANERS.








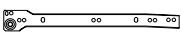
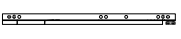





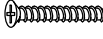
THE SURFACE OF THIS ITEM IS NOT HEAT RESISTANT. ALWAYS USE A PLACE MAT UNDER HOT OR COLD ITEMS TO PREVENT MARKING.

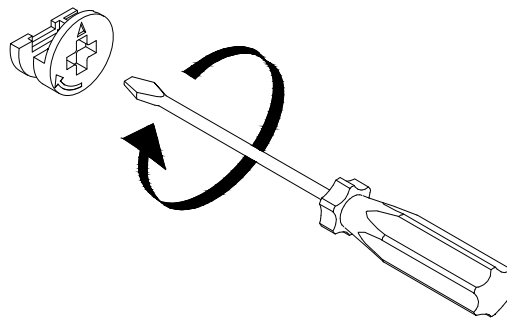


PART LIST

<u>Part Number</u>	<u>Part Code</u>	<u>Part Description</u>	<u>Quantity</u>	<u>Carton</u>
1	S300-304-029-EU1-01	Top Panel	1	1/1
2	S300-304-029-EU1-02	Left Side Panel	1	1/1
3	S300-304-029-EU1-03	Right Side Panel	1	1/1
4	S300-304-029-EU1-04	Back Panel	1	1/1
5	S300-304-029-EU1-05	Bottom Panel	1	1/1
6	S300-304-029-EU1-06	Leg	4	1/1
7	S300-304-029-EU1-07	Drawer Back	1	1/1
8	S300-304-029-EU1-08	Drawer Side - Left	1	1/1
9	S300-304-029-EU1-09	Drawer Side - Right	1	1/1
10	S300-304-029-EU1-10	Drawer Front	1	1/1
11	S300-304-029-EU1-11	Drawer Base	1	1/1
12	S300-304-029-EU1-12	Drawer Base Support Rail	1	1/1

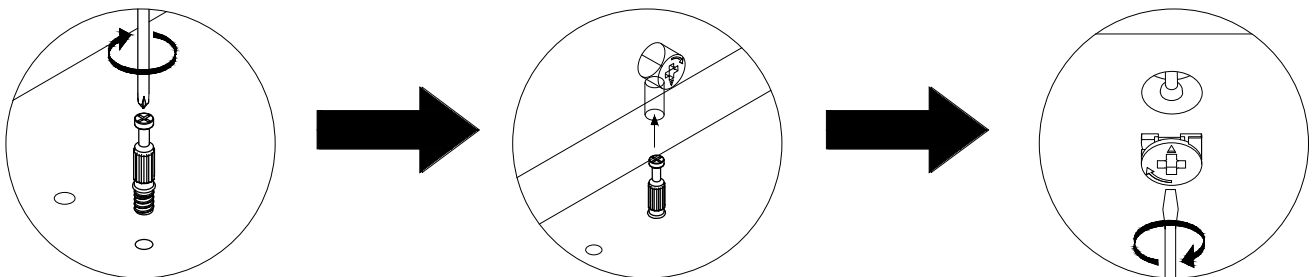
HARDWARE LIST

A		DOWEL 6 X 30MM	20 PCS
B		SCREW M6 X 50MM	8 PCS
C		SCREW M3.5 X 20MM	16 PCS
D		CAM BOLT + CAM NUT	11 SETS
E		ALLEN KEY	1 PC
F		ANGLED LEG FIXING PLATE	4 PCS
G		CAP	11 PCS
H		DRAWER RUNNER A - L/R	2 PCS
I		DRAWER RUNNER B - L/R	2 PCS
J		HANDLE	1 PCS
K		HANDLE SCREW 25MM	2 PCS
L		SCREW M4 X 38MM	2 PCS
M		SCREW M3.5 X 16MM	6 PCS
N		SCREW M3.5 X 12MM	14 PCS
O		SCREW M4 X 25MM	2 PCS



(SCREWDRIVER NOT PROVIDED)

USE A FLAT HEAD SCREWDRIVER TO TIGHTEN THE CAM NUTS. A QUARTER TURN CLOCKWISE IS ALL THAT IS NEEDED.



STEP 1 - USE A CROSS SLOT SCREWDRIVER TO TIGHTEN THE CAM BOLT INTO THE HOLE.

STEP 2 - ALIGN THE CAM BOLT WITH THE HOLE AND PUSH TOGETHER UNTIL FLUSH. (MAKE SURE THE ARROW OF THE CAM LOCK IS POINTING TOWARD ON THE EDGE OF THE PANEL.)

STEP 3 - THE HEAD OF THE BOLT GOES INTO THE WIDE MOUTH OF THE CAM LOCK. YOU THEN TURN THE LOCK SO THE NARROW PART CLOSES OVER THE BOLT.

STEP 1

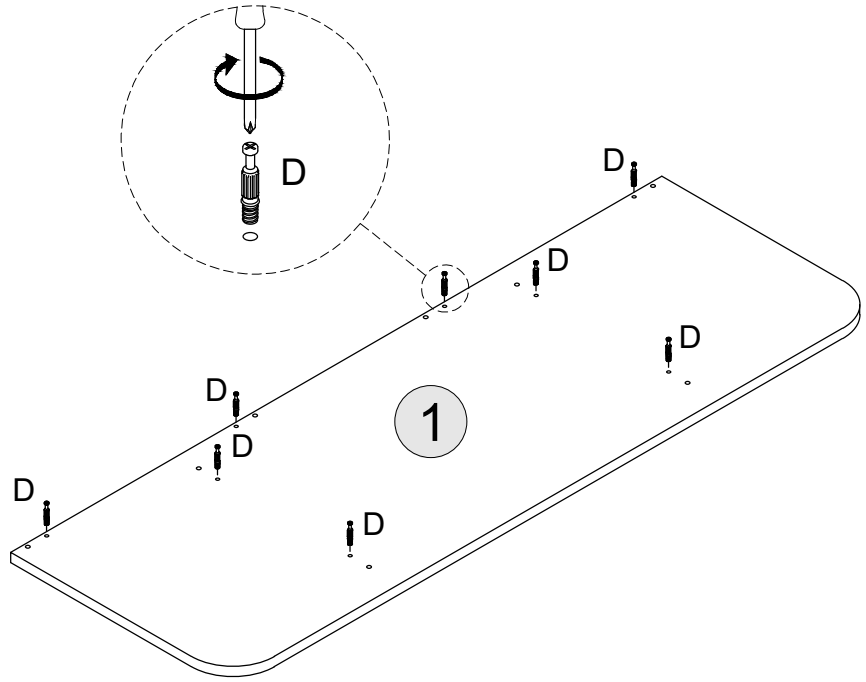
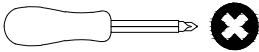
PARTS REQUIRED

1 - TOP PANEL x1

HARDWARE REQUIRED

D  08

TOOLS REQUIRED



STEP 2

PARTS REQUIRED

2 - LEFT SIDE PANEL x1

HARDWARE REQUIRED

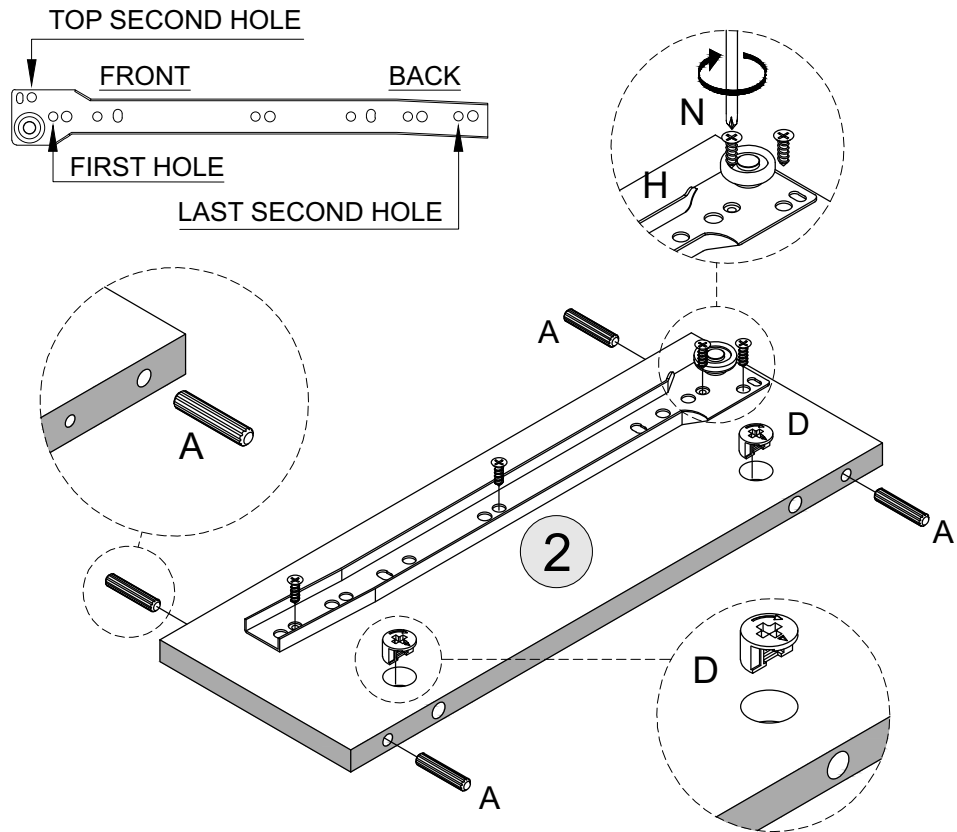
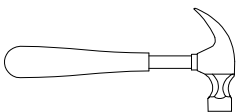
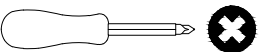
A  04

D  02

H  01

N  04

TOOLS REQUIRED



STEP 3

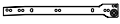
PARTS REQUIRED

3 - RIGHT SIDE PANEL x1

HARDWARE REQUIRED

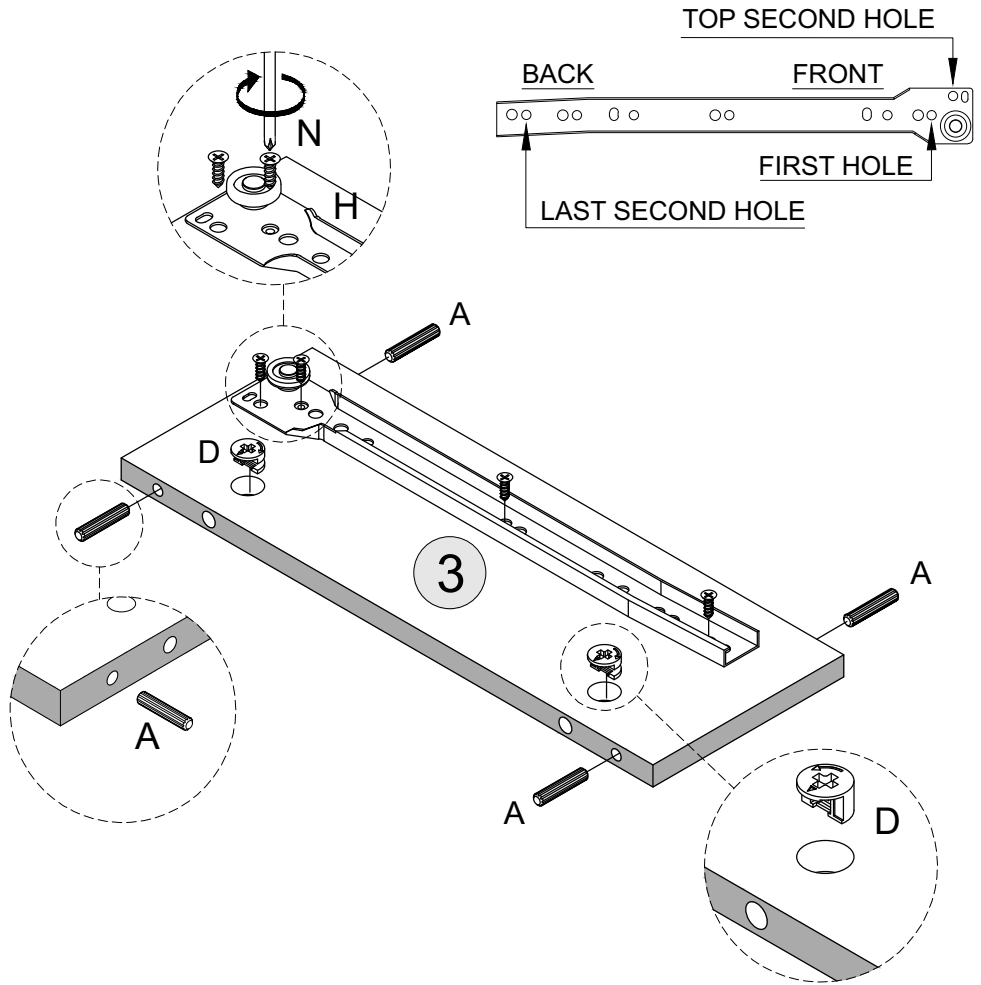
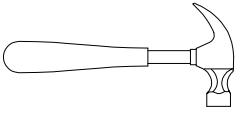
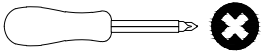
A  04

D  02

H  01

N  04

TOOLS REQUIRED



STEP 4

PARTS REQUIRED

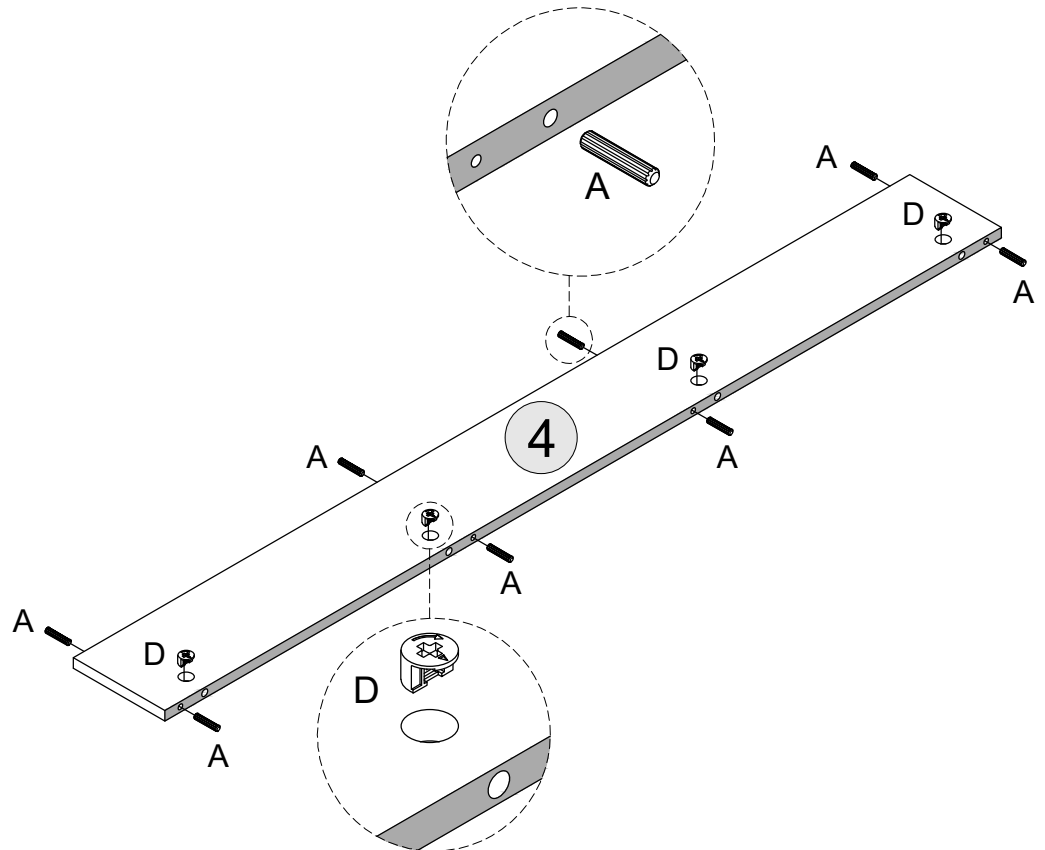
4 - BACK PANEL x1

HARDWARE REQUIRED

A  08

D  04

TOOLS REQUIRED



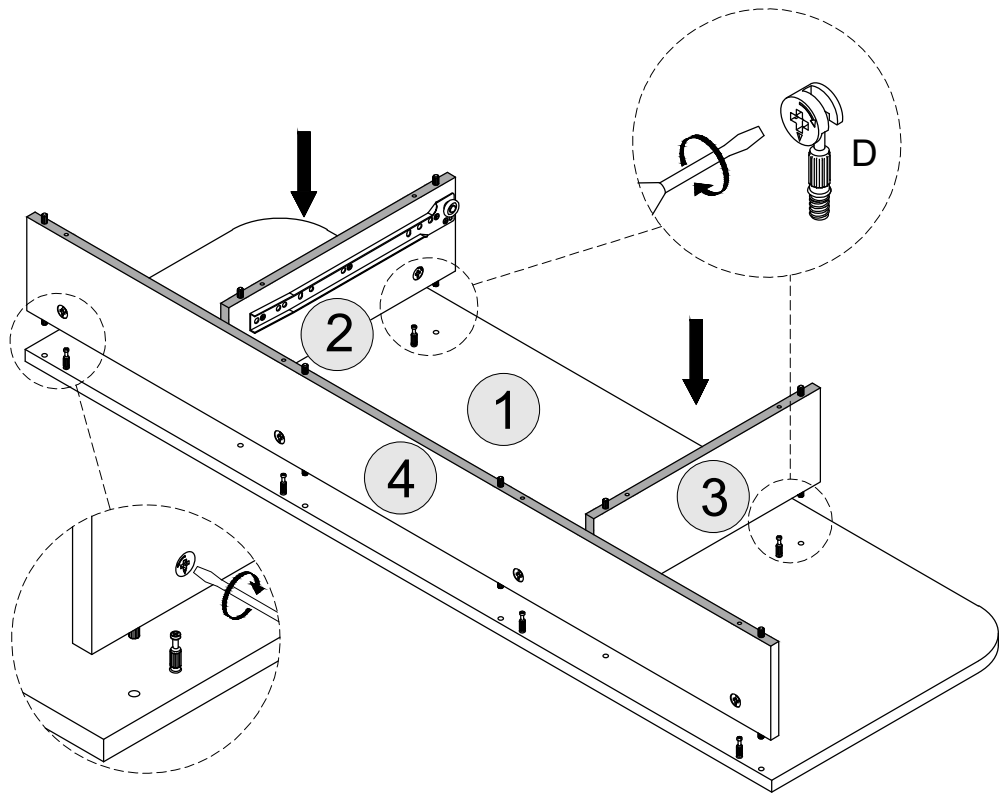
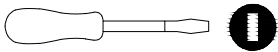
STEP 5

PARTS REQUIRED

1 - TOP PANEL	x1
2 - LEFT SIDE PANEL	x1
3 - RIGHT SIDE PANEL	x1
4 - BACK PANEL	x1

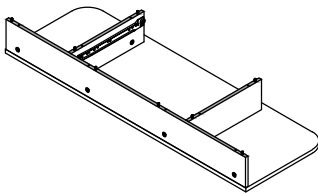
HARDWARE REQUIRED

TOOLS REQUIRED



STEP 6

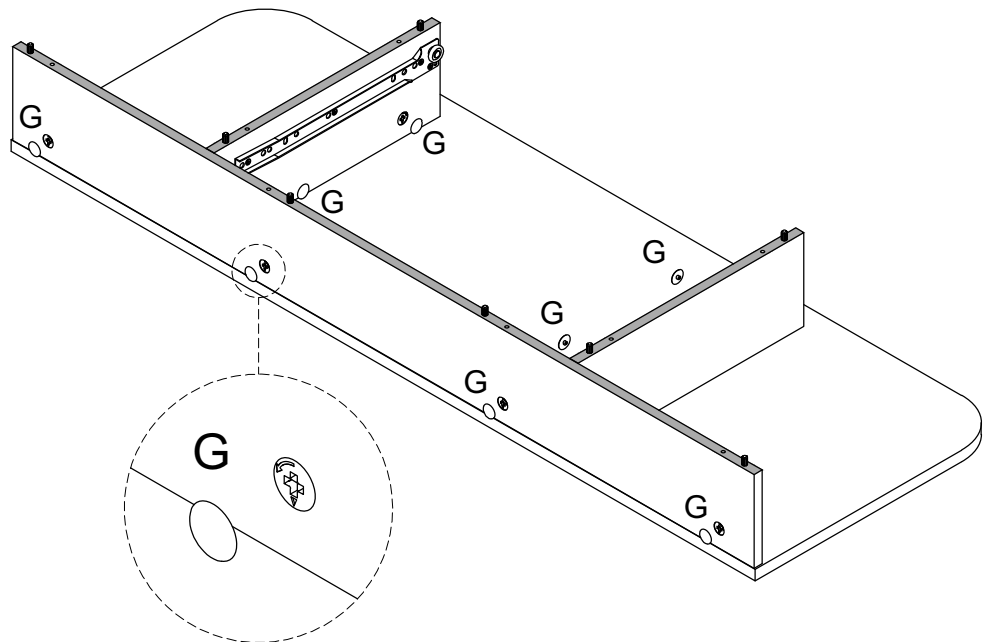
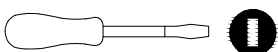
PARTS REQUIRED



HARDWARE REQUIRED

G		08
---	--	----

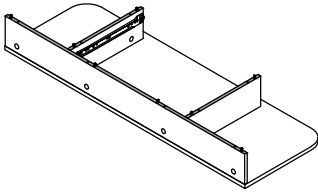
TOOLS REQUIRED



STEP 7

PARTS REQUIRED

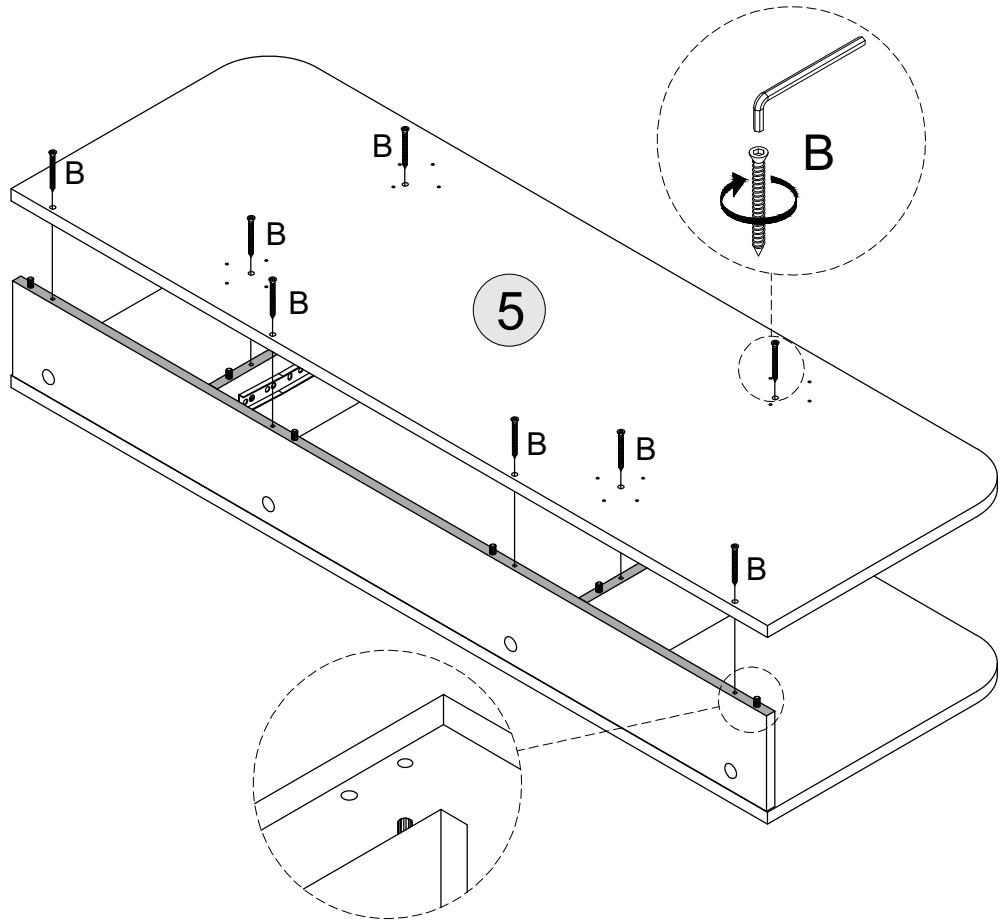
5 - BOTTOM PANEL x1



HARDWARE REQUIRED

B  08

TOOLS REQUIRED



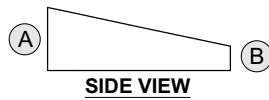
STEP 8

PARTS REQUIRED

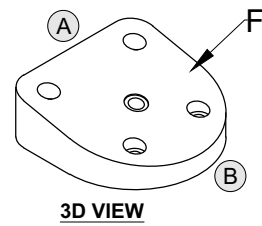
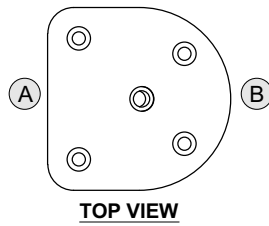
HARDWARE REQUIRED

TOOLS REQUIRED

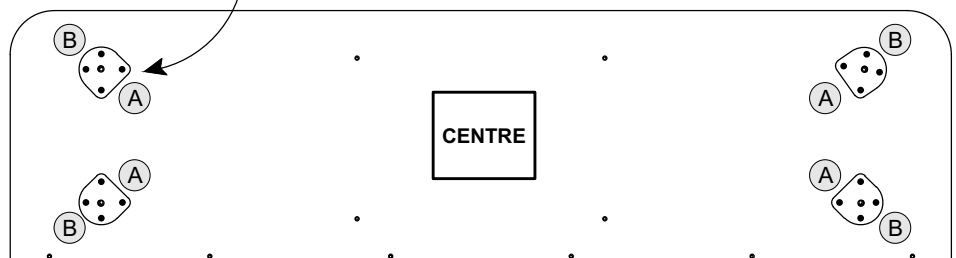
EXAMPLE FOR ASSEMBLING ON STEP 9



(A) THE HIGHER PART
(B) THE LOWER PART

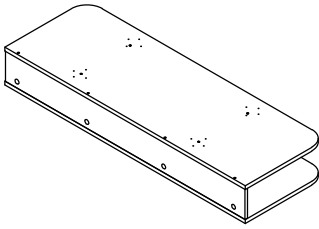


MAKE SURE THE HIGHER SIDE OF PART (F) IS POINTING TOWARD THE CENTRE (A) AND THE LOWER SIDE (B) IS POINTING OUTWARD.



STEP 9

PARTS REQUIRED

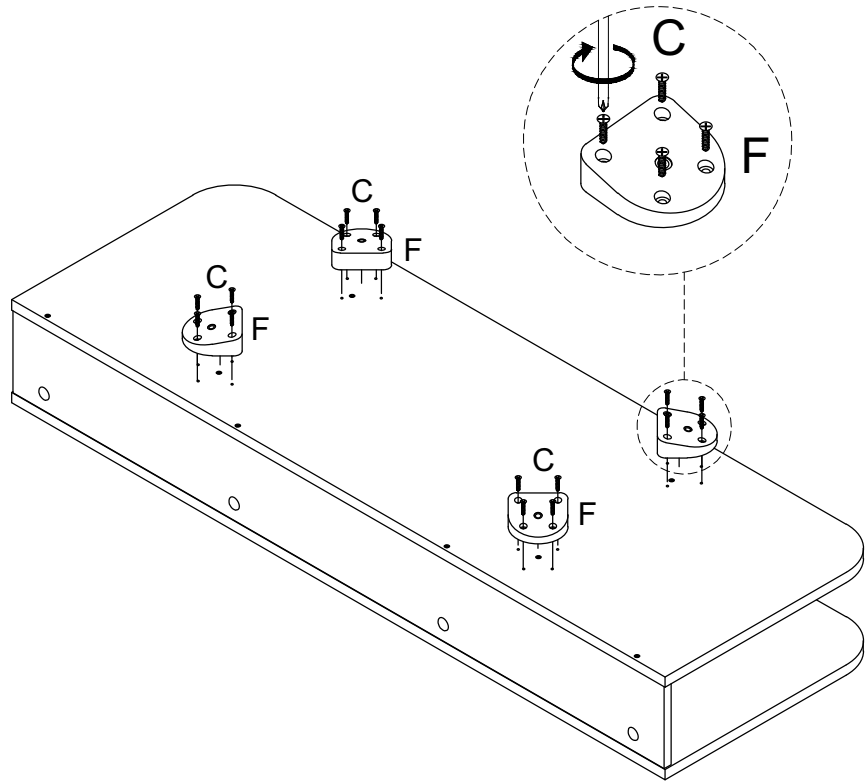
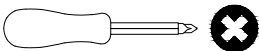


HARDWARE REQUIRED

C  16

F  04

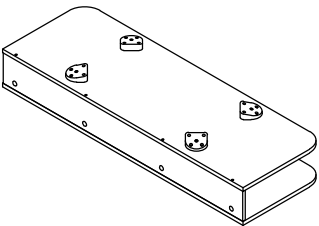
TOOLS REQUIRED



STEP 10

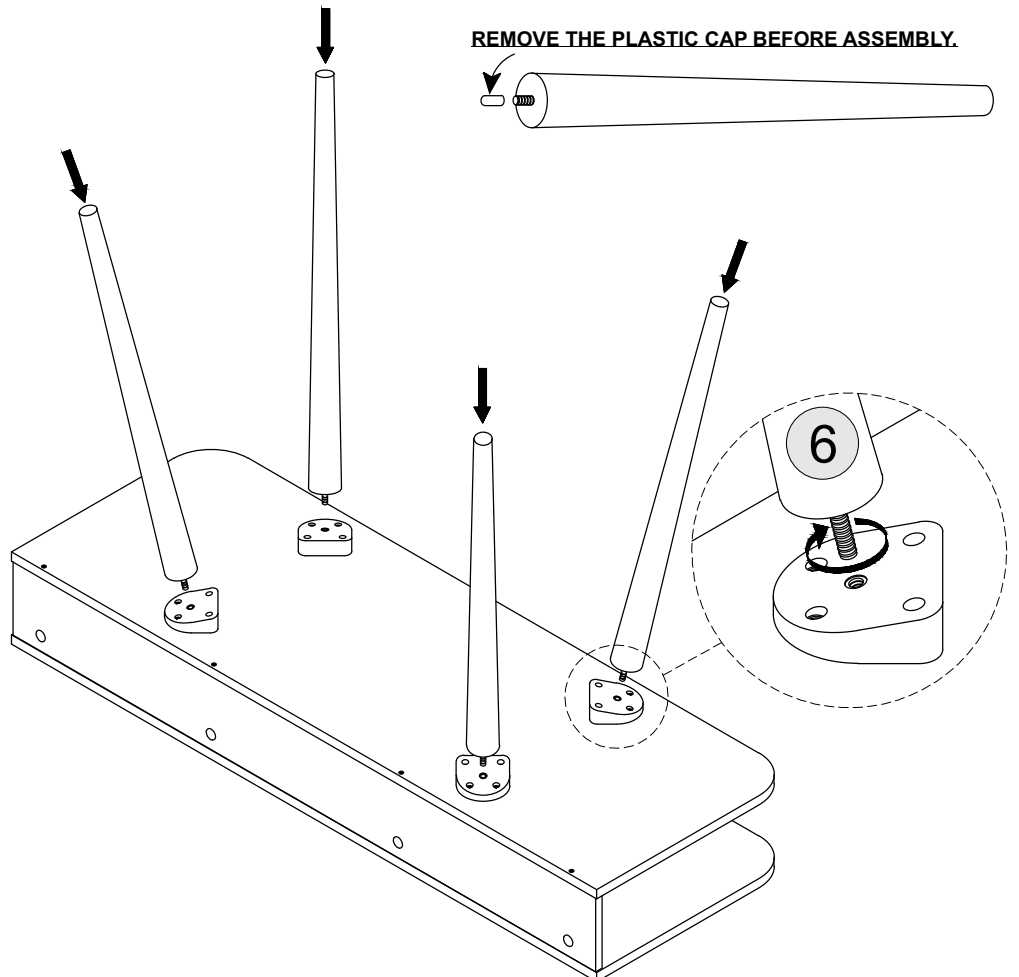
PARTS REQUIRED

6 - LEG x4



HARDWARE REQUIRED

TOOLS REQUIRED






STEP 11

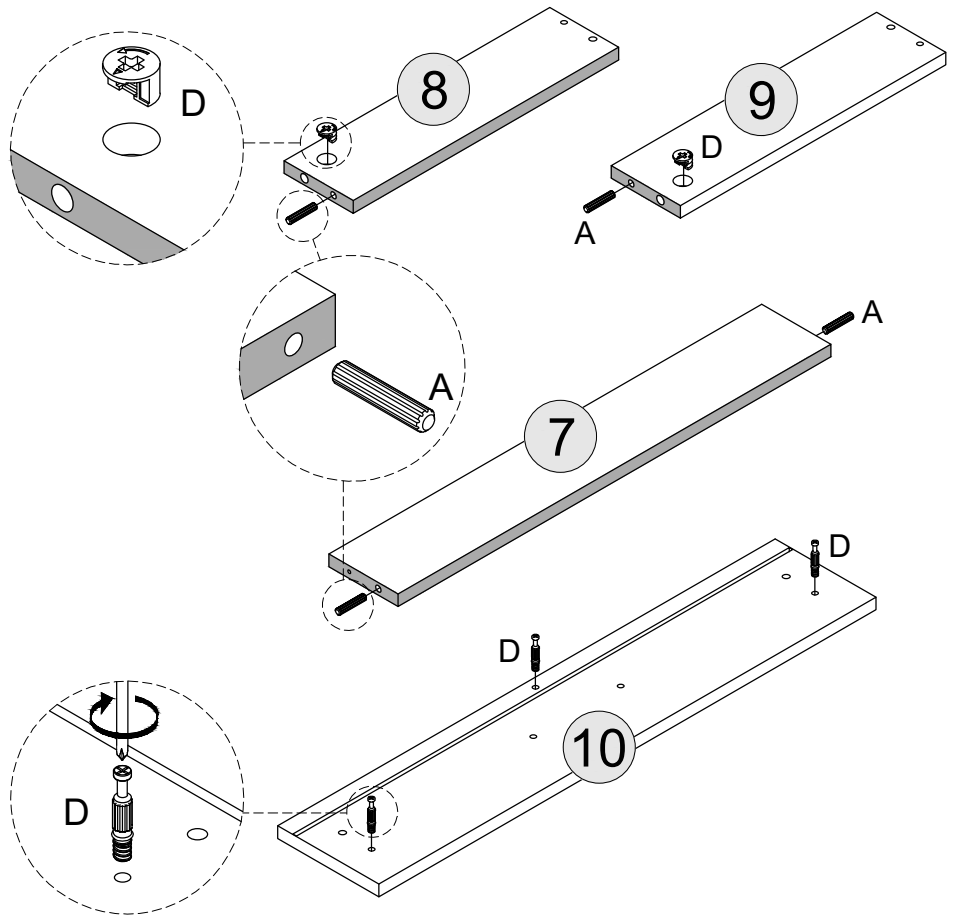
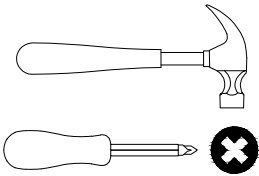
PARTS REQUIRED

7 - DRAWER BACK	x1
8 - DRAWER SIDE - LEFT	x1
9 - DRAWER SIDE - RIGHT	x1
10 - DRAWER FRONT	x1

HARDWARE REQUIRED

A		04
D		02
D		03

TOOLS REQUIRED

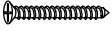


STEP 12

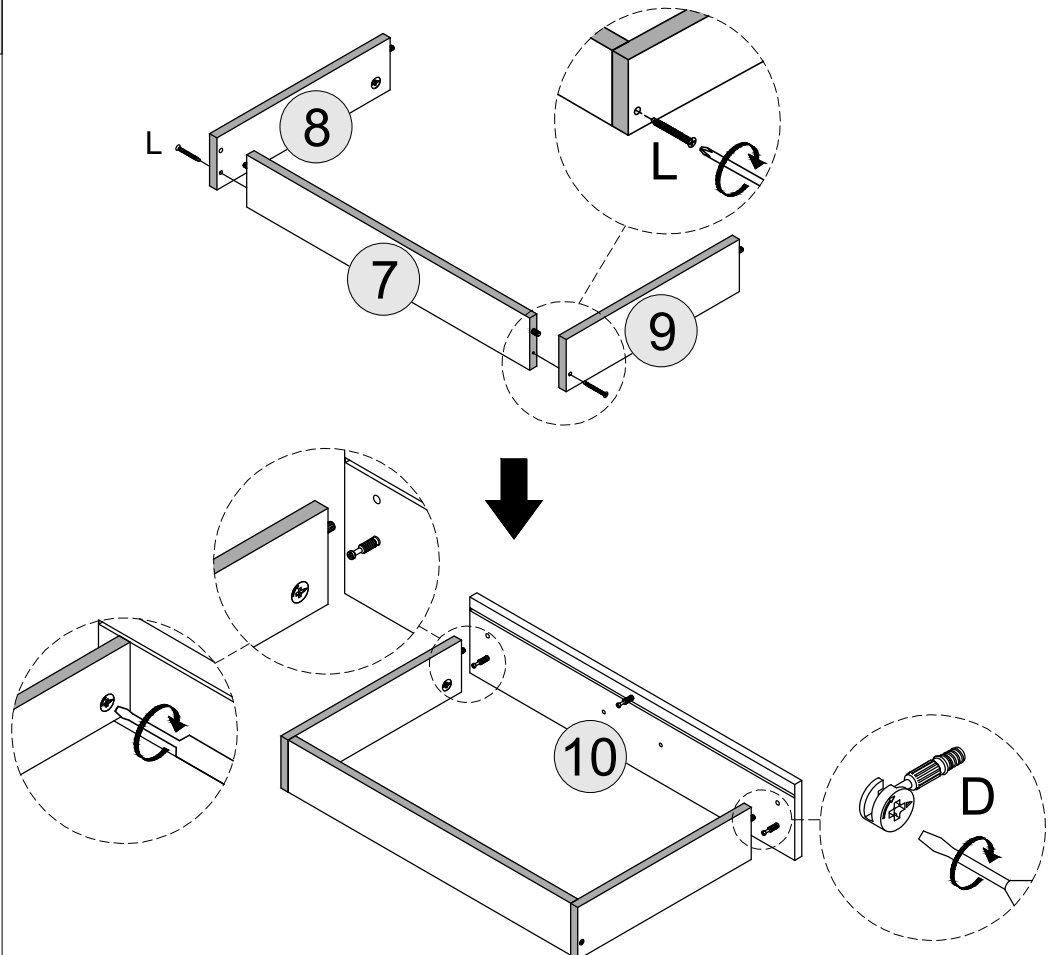
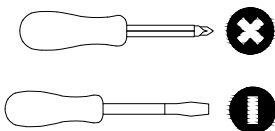
PARTS REQUIRED

7 - DRAWER BACK	x1
8 - DRAWER SIDE - LEFT	x1
9 - DRAWER SIDE - RIGHT	x1
10 - DRAWER FRONT	x1

HARDWARE REQUIRED

L		02
---	---	----

TOOLS REQUIRED

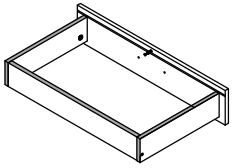


STEP 13

PARTS REQUIRED

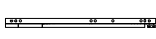
11 - DRAWER BASE x1

12 - DRAWER BASE SUPPORT RAIL x1

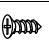


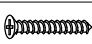
HARDWARE REQUIRED

D  01

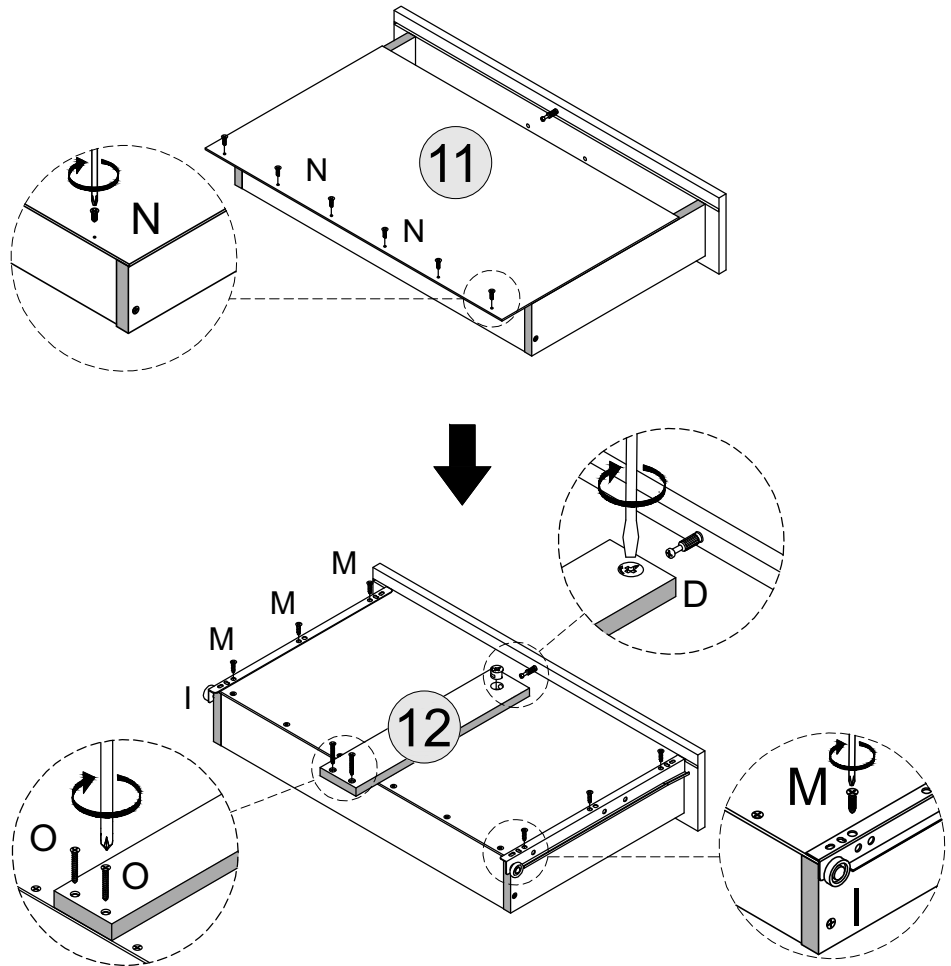
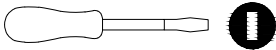
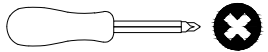
I  02

M  06

N  06

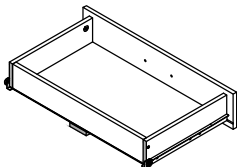
O  02

TOOLS REQUIRED



STEP 14

PARTS REQUIRED



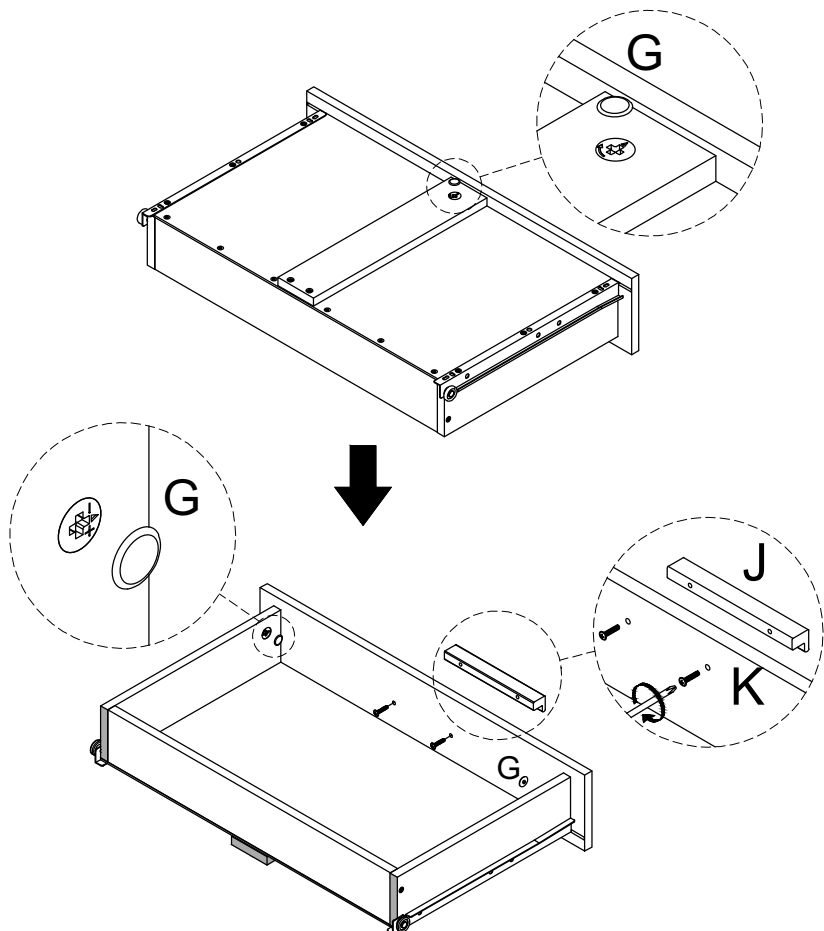
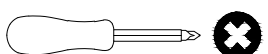
HARDWARE REQUIRED

G  03

J  01

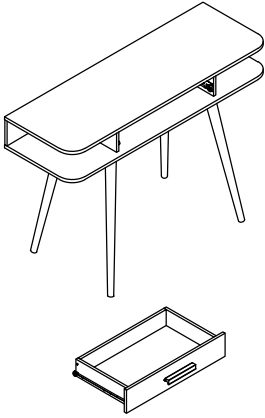
K  02

TOOLS REQUIRED



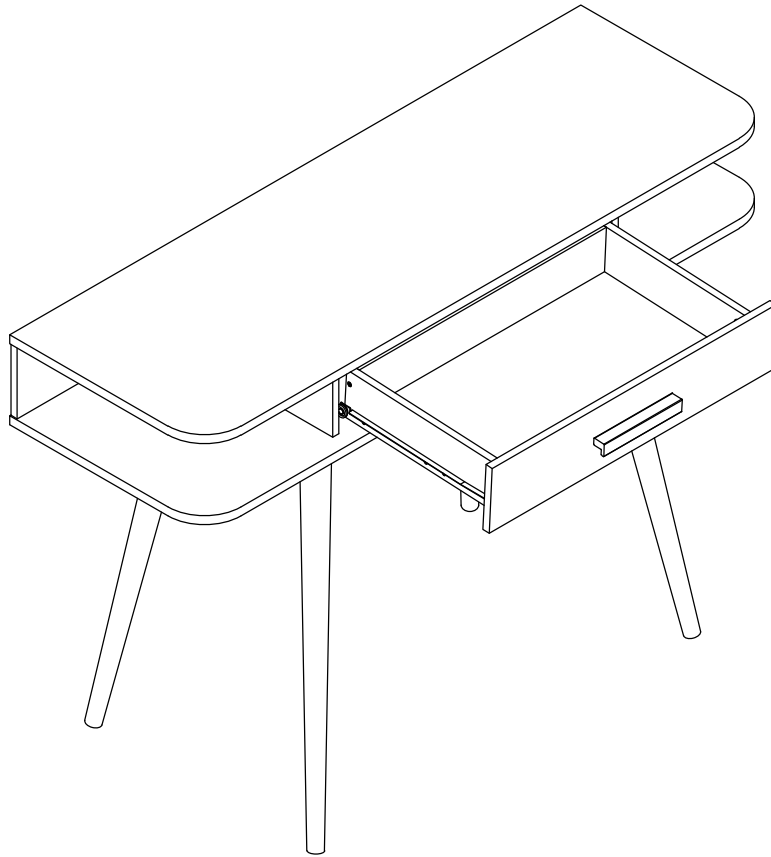
STEP 15

PARTS REQUIRED



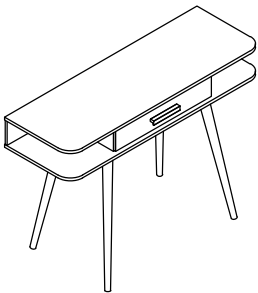
HARDWARE REQUIRED

TOOLS REQUIRED



STEP 16

PARTS REQUIRED



HARDWARE REQUIRED

TOOLS REQUIRED

