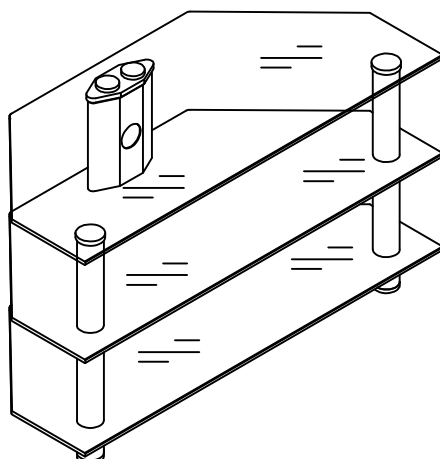


BROMLEY TV STAND ASSEMBLY INSTRUCTIONS



IMPORTANT FOR DOMESTIC USE ONLY PLEASE READ BEFORE YOU CONTINUE FURTHER

THE PRODUCT YOU HAVE PURCHASED WILL GIVE YOU MANY YEARS OF SERVICE IF YOU FOLLOW THE GUIDELINES FOR ITS SAFE ASSEMBLY AND PERIODIC MAINTENANCE AND CLEANING .

ASSEMBLE ON A SOFT CLEAN SURFACE

DO NOT USE ANY TOOLS OTHER THAN THOSE SHOWN.

ANY SPANNERS OR ALLEN KEYS REQUIRED ARE INCLUDED WITH THE FITTINGS KIT.

DO NOT FOR ANY REASON USE A POWER TOOL TO ASSEMBLE THIS PRODUCT. ITS USE WILL INVALIDATE ANY CLAIM YOU MAY HAVE AND COULD MAKE THIS PRODUCT UNSAFE.

DEPENDING ON THE AMOUNT OF USE THIS PRODUCT RECEIVES IT MAY BE NECESSARY TO TIGHTEN UP THE FIXINGS FROM TIME TO TIME . THIS IS COMPLETELY NORMAL FOR ANY FLAT PACK FURNITURE.
DO NOT OVERTIGHTEN FIXINGS.

FOR CLEANING, YOU MAY USE A DAMP CLOTH (NOT WET) DO NOT USE POLISH, DETERGENT OR CHEMICAL CLEANERS.

THIS PRODUCT MAY STAIN OR MARK IF ALLOWED TO COME INTO CONTACT WITH WET OR DAMP OBJECTS.

THE SURFACE OF THIS ITEM IS NOT HEAT RESISTANT. ALWAYS USE A PLACE MAT UNDER HOT OR COLD ITEMS TO PREVENT MARKING.

CARE & MAINTENANCE INSTRUCTIONS

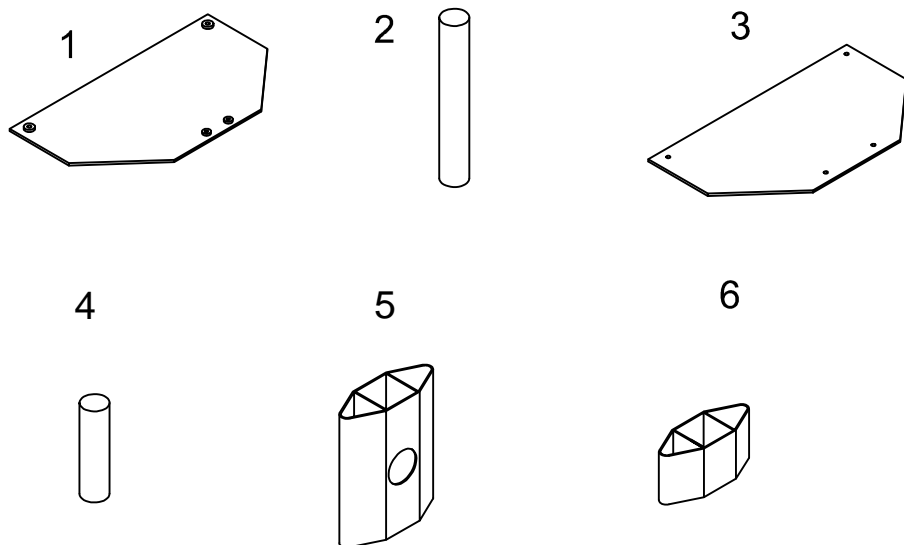
THIS PRODUCT INCLUDES TOUGHENED GLASS WITH A NOMINAL THICKNESS OF 8/5/5MM. IF THE GLASS IS CHIPPED OR BROKEN, PLEASE REPLACE WITH TYPE DESCRIBED OR ALTERNATIVELY CONSULT WITH THE RETAILER STATING THE MODEL DETAILS .

WARNING

- 1. MAXIMUM LOAD ON TOP - DO NOT EXCEED 40KGS IN WEIGHT.**
- 2. DO NOT SIT OR STAND ON GLASS SURFACES.**
- 3. DO NOT USE GLASS AS A CHOPPING SURFACE .**
- 4. DO NOT STRIKE GLASS WITH HARD OR POINTED ITEMS.**
- 5. DO NOT PLACE VERY HOT OR VERY COLD ITEMS ON THE GLASS SURFACES UNLESS ADEQUATELY THICK TABLE MATS ARE USED TO PREVENT SUCH ITEMS COMING INTO CONTACT WITH THE GLASS.**
- 6. WHEN CLEANING GLASS PANELS USE A DAMP CLOTH OR LEATHER WITH WASHING UP LIQUID OR SOFT SOAP IF NECESSARY. DO NOT USE WASHING POWDER OR ANY OTHER SUBSTANCES CONTAINING ABRASIVES SINCE THESE SUBSTANTIALLY SCRATCH GLASS.**








KEEP THESE INSTRUCTIONS IN A SAFE PLACE FOR FUTURE REFERENCE
THE GLASS USED IN THIS PRODUCT IS TOUGHENED AND CONFORMS TO BS 7376 2004

PARTS LIST



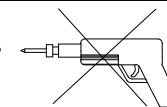
REF	PART NAME	QTY
1	TOP GLASS	1PC
2	LONG LEG	4PCS
3	MIDDLE / BOTTOM GLASS	2PCS
4	SHORT LEG	2PCS
5	SURPORT LEG(LONG)	2PCS
6	SURPORT LEG(SHORT)	1PC

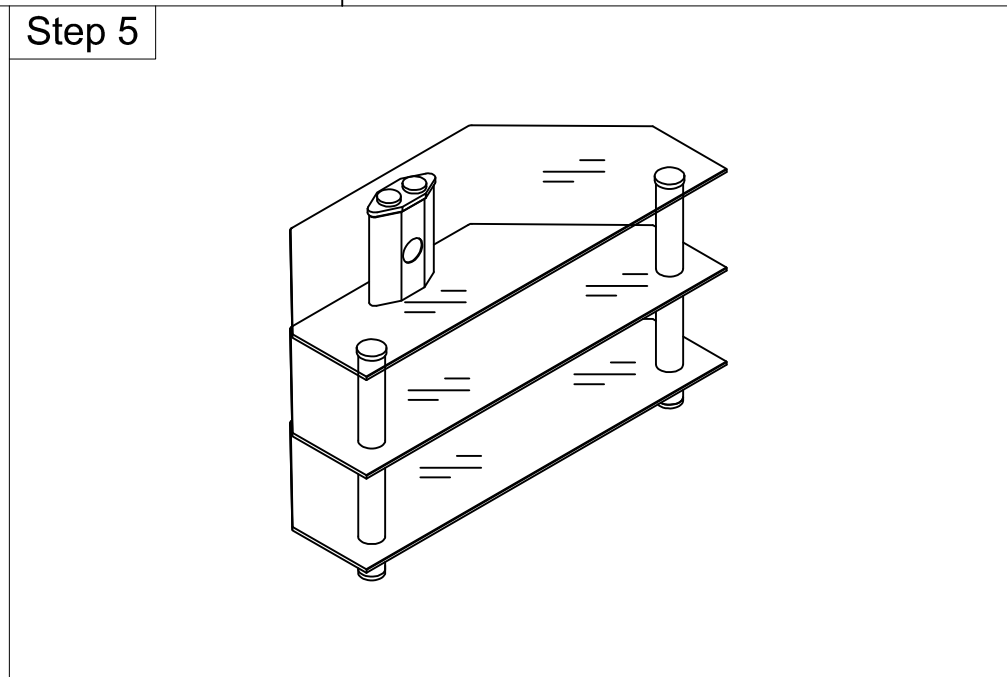
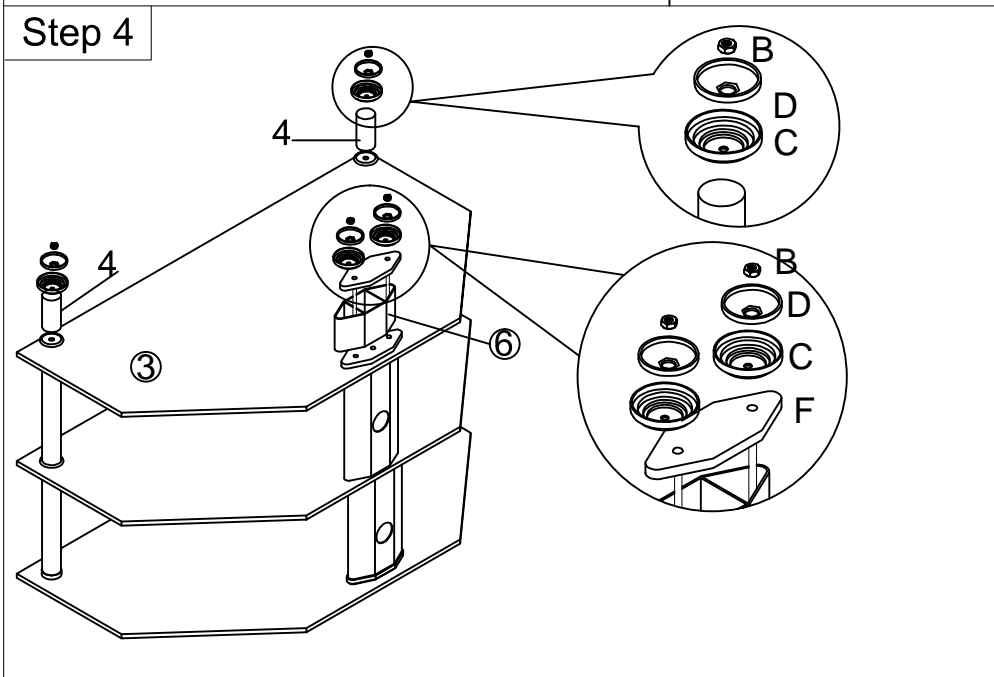
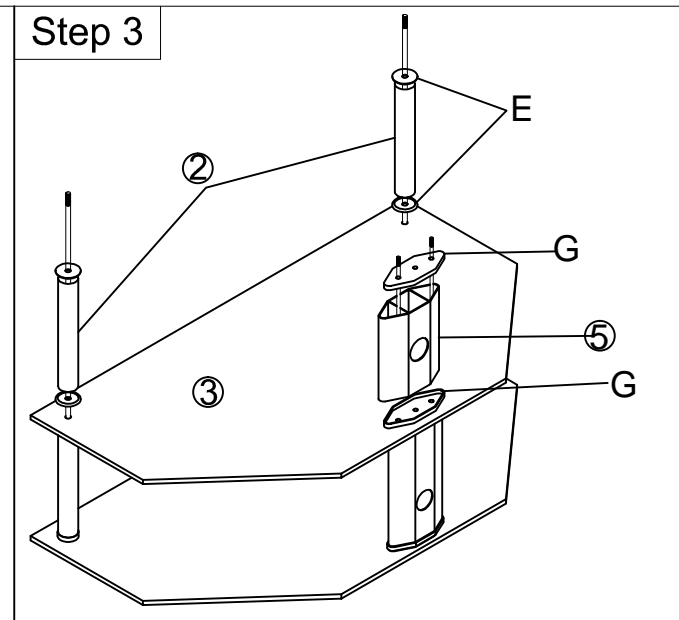
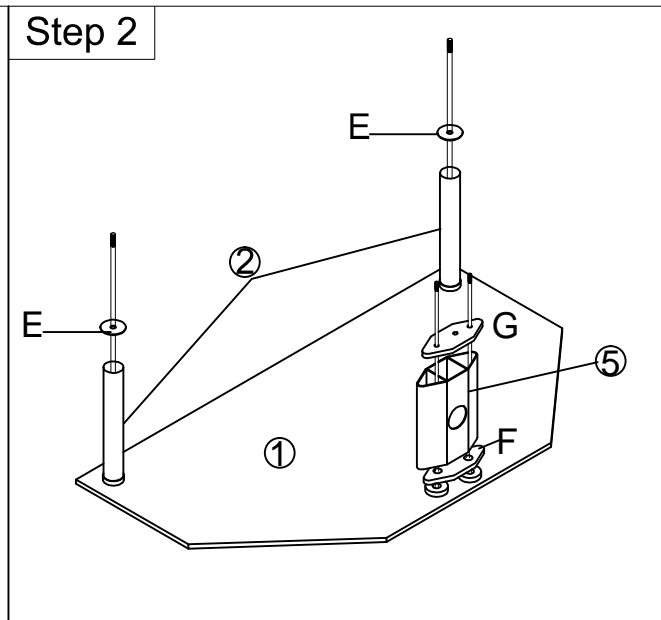
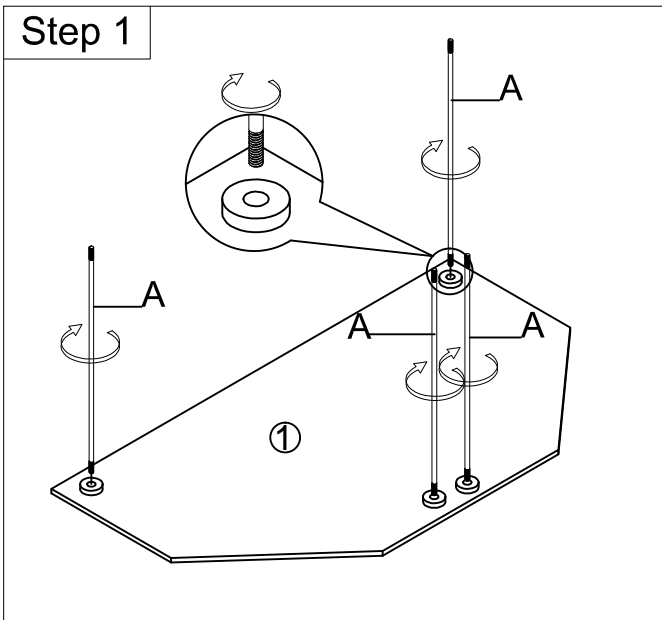
HARDWARE LIST

REF		HARDWARE NAME	QTY
A	 M8*430MM	METAL RODS	4PCS
B		NUT	4PCS
C		METAL FOOT	4PCS
D		PLASTIC SPACER	4PCS
E		PLASTIC SPACER	8PCS
F		METAL PLATE	2PCS
G		PLASTIC SPACER	4PCS

PLEASE CHECK THAT YOU HAVE ALL THE PARTS LISTED BEFORE YOU START ASSEMBLING. IF YOU DO FIND THAT SOMETHING IS MISSING, DO NOT CONTINUE ASSEMBLY. PLEASE CONTACT YOUR SUPPLIER IMMEDIATELY.

THE USE OF POWER TOOLS TO ASSEMBLE THIS PRODUCT WILL INVALIDATE ANY CLAIM AND MAY DAMAGE THIS PRODUCT MAKING IT UNSAFE.





THE USE OF POWER TOOLS TO ASSEMBLE THIS PRODUCT WILL INVALIDATE ANY CLAIM AND MAY DAMAGE THIS PRODUCT MAKING IT UNSAFE.

