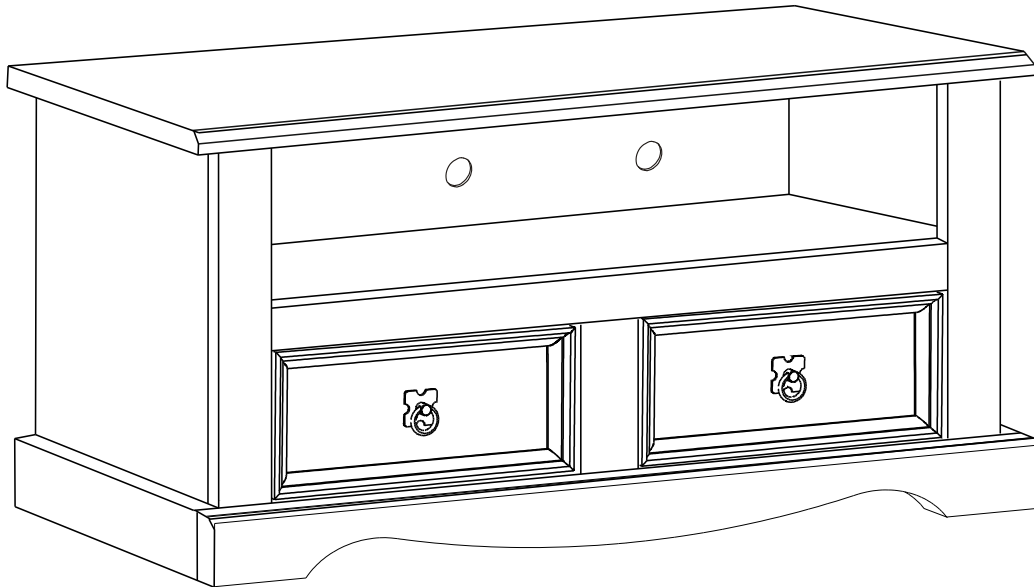


Corona 2 Drawer Flat Screen TV Unit

ASSEMBLY INSTRUCTIONS



IMPORTANT

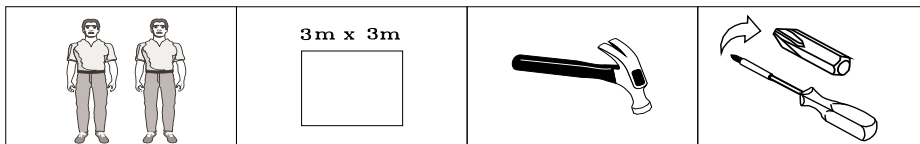
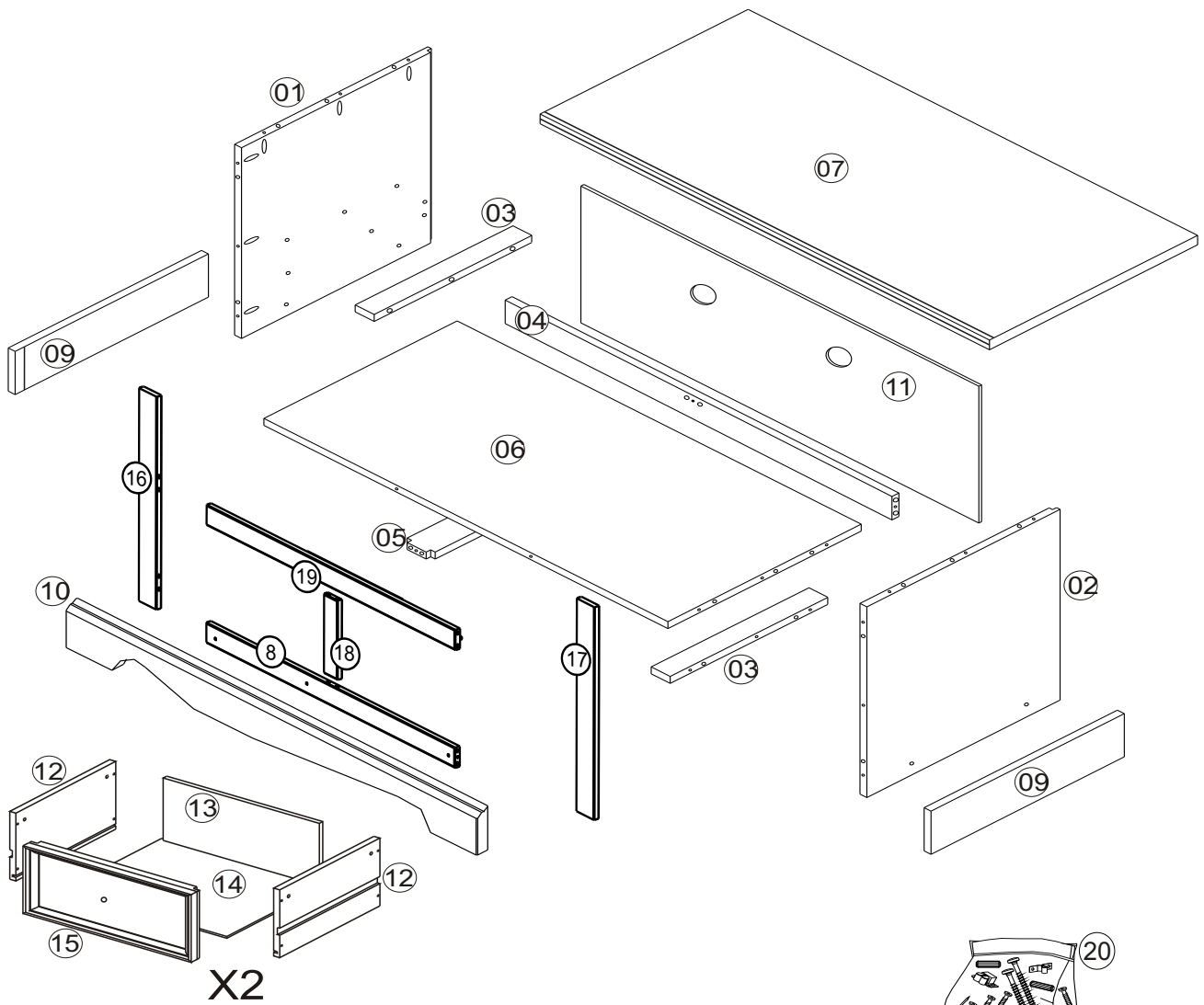
FOR DOMESTIC USE ONLY

PLEASE READ BEFORE YOU CONTINUE FURTHER

CARE AND MAINTENANCE

After unpacking this product please keep the original packaging in case it needs to be returned for any reason.

- Please ensure all fittings and parts are present before commencing with assembly.
- We recommend that you lay a blanket or sheet on the floor to avoid damage to both your floor and the product.
- We strongly recommend that you keep children away from your work area.
- Assemble this product as close to its final position as possible.
- Never drag or push products as this could cause damage to the joints making it inferior.
- Do not place this product next to a radiator or in direct sunlight.
- Wood is a natural product and may expand if subjected to damp and may shrink or crack if subjected to heat. Therefore it is recommended that room temperature is maintained, with no sudden temperature fluctuations.
- Make sure any spillage is wiped off immediately.
- Do not place hot or chilled items directly on to the surface, use a place mat or marking will occur.
- For general cleaning use a duster, and do not use detergents of any kind. However, the surface will need to be retreated from time to time. This can be done by using block wax (unperfumed) and rubbing it over the whole item.
- From time to time it may be necessary to tighten fittings, regular inspections should be carried out.

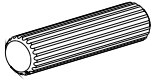
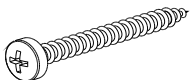



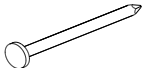
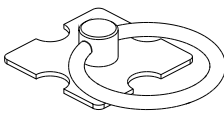

1	Left side panel	01	11	Back panel	01
2	Right side panel	01	12	Drawer side	04
3	Side drawer runner	02	13	Drawer back	02
4	Back crossbeam	01	14	Drawer bottom	02
5	Centre drawer runner	01	15	Drawer front	02
6	Fixed shelf	01	16	Left Front Upright	01
7	Top	01	17	Right Front Upright	01
8	Bottom Front Crossbeam	01	18	Centre Front Upright	01
9	Side Plinth	02	19	Top Front Crossbeam	01
10	Front Plinth	01	20	Hardware Kit	01

FITTINGS

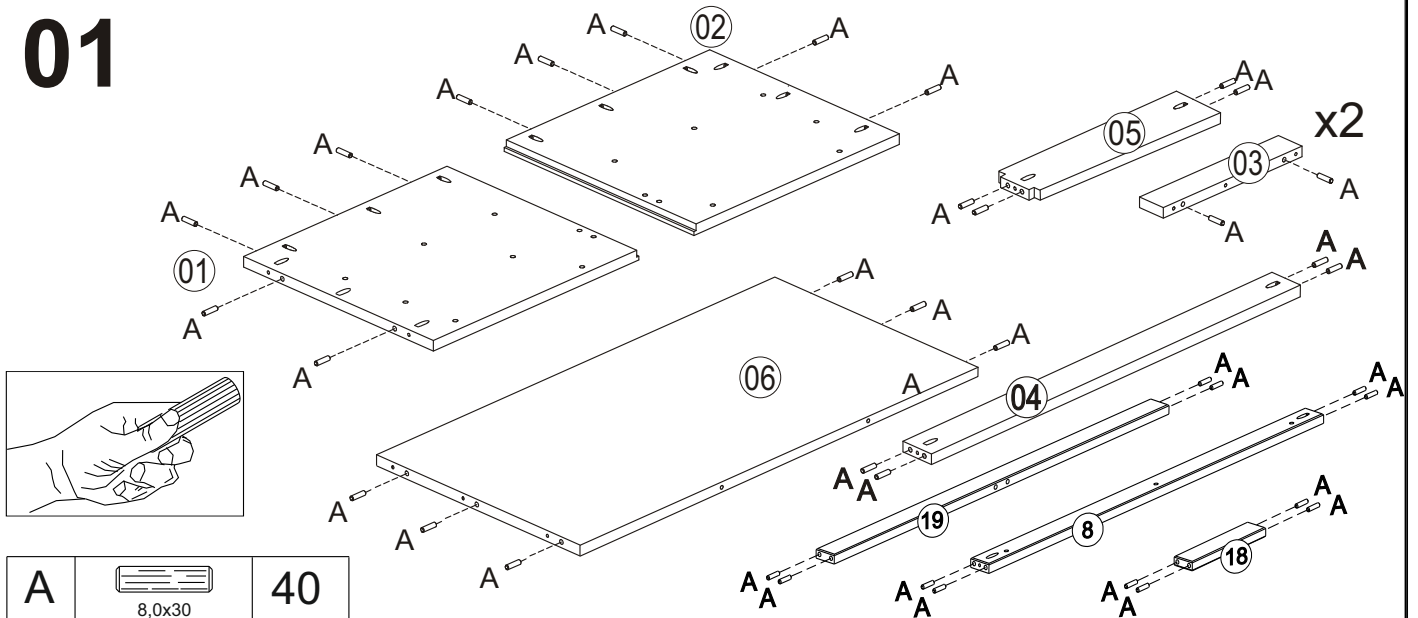


* Please check contents and read the instructions before commencing assembly.
 * Assemble this product following the enclosed instructions carefully.
 * Please take care to avoid damaging parts during assembly.

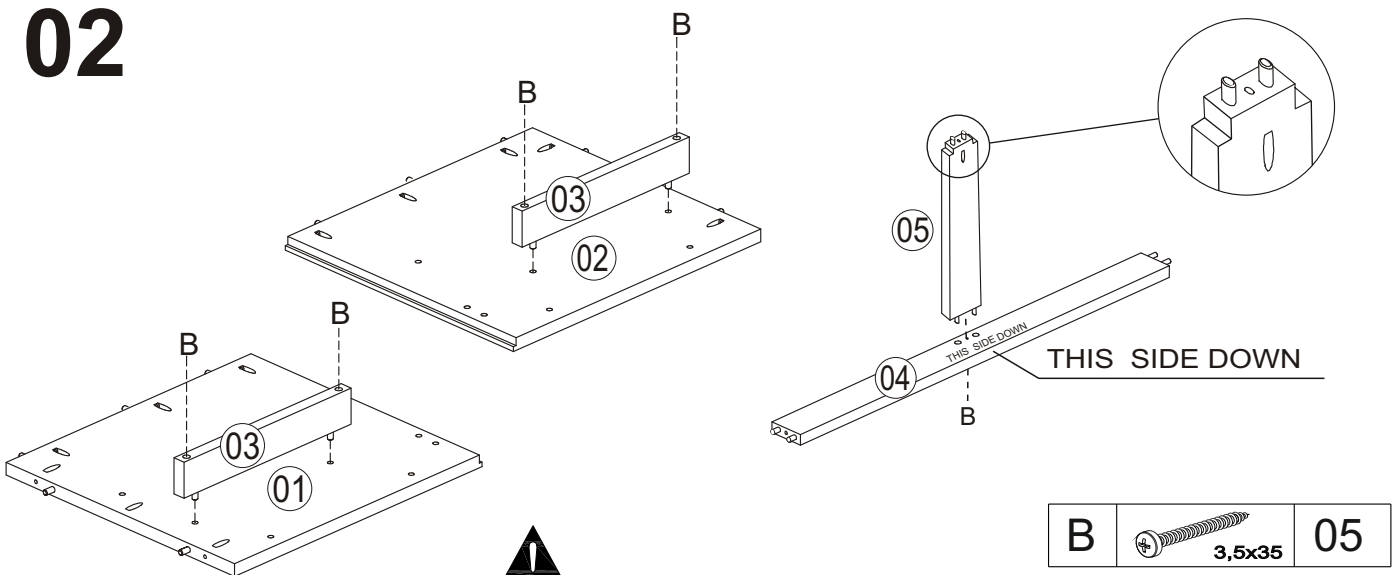
A	 8x30	44
B	 3,5x35	41
C	 3,0x30	16

D	 10 x 10	18
E	 Black	02
F	 3,5 x 16	06

01

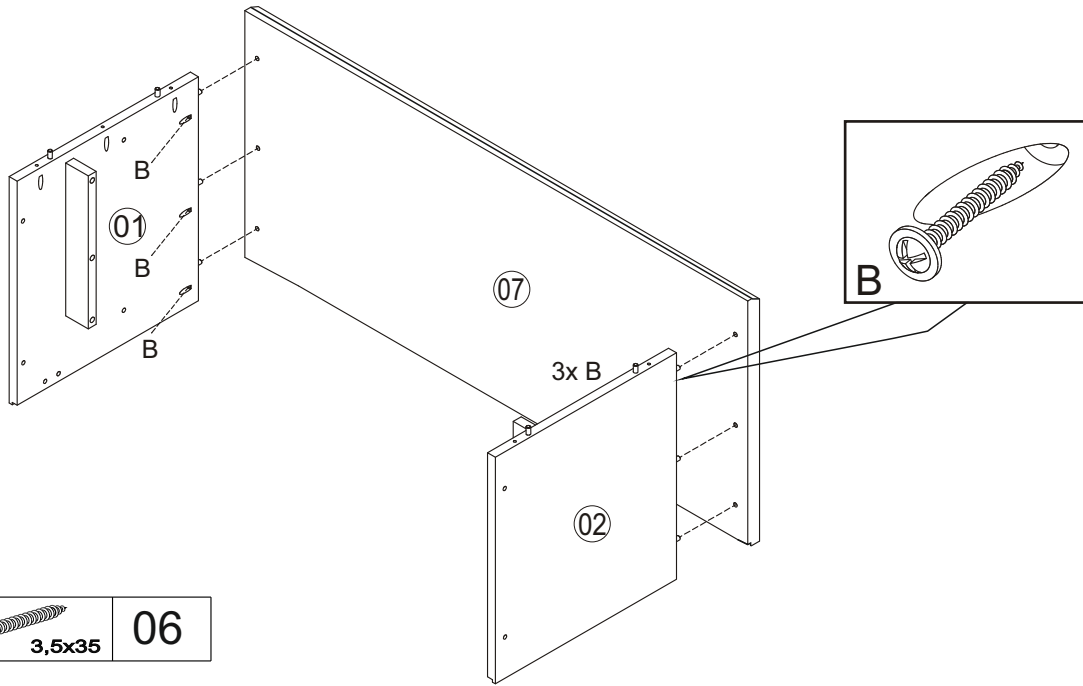


02



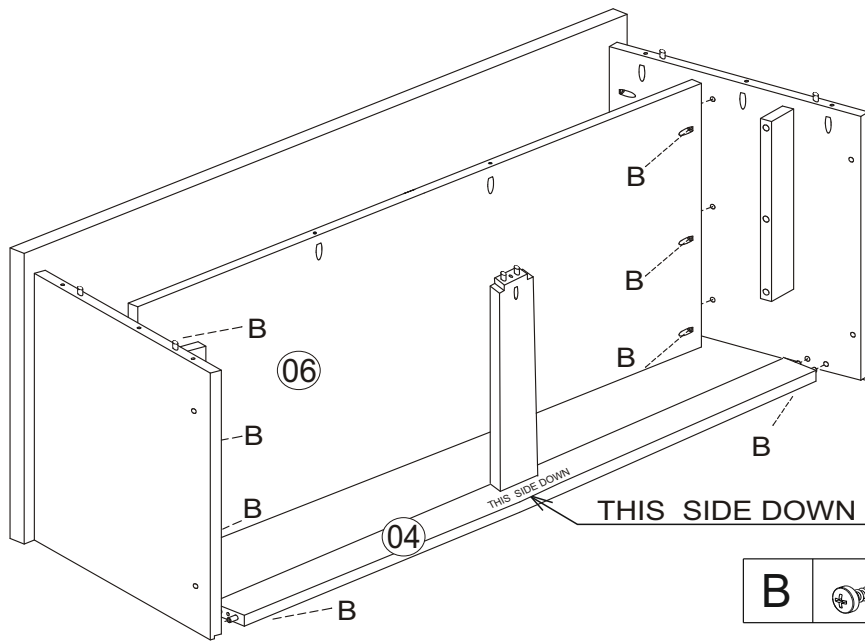
* Use of power tools to assemble this product will invalidate any claim and could damage this product making it unsafe!!!
 * Please assemble on a clean soft surface to avoid damage.

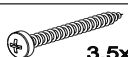
03



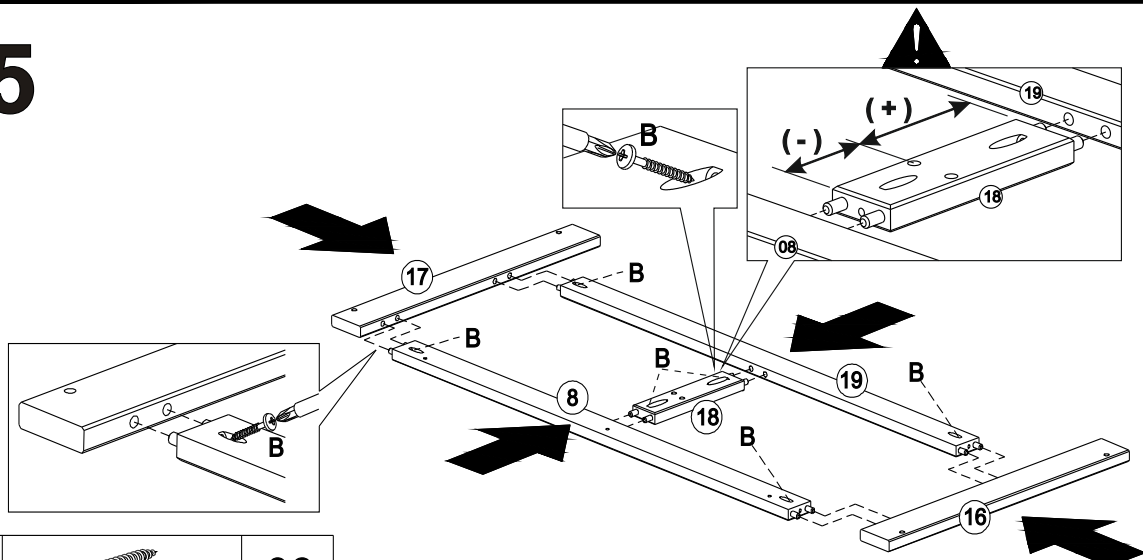
B		06
3,5x35		


04



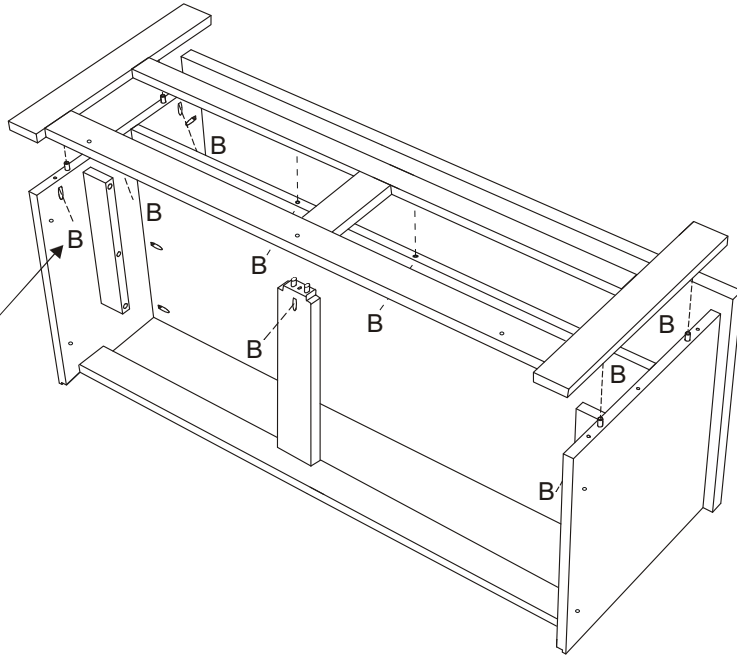
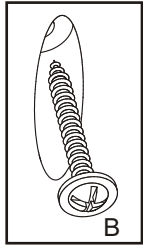
B		08
3,5x35		

05



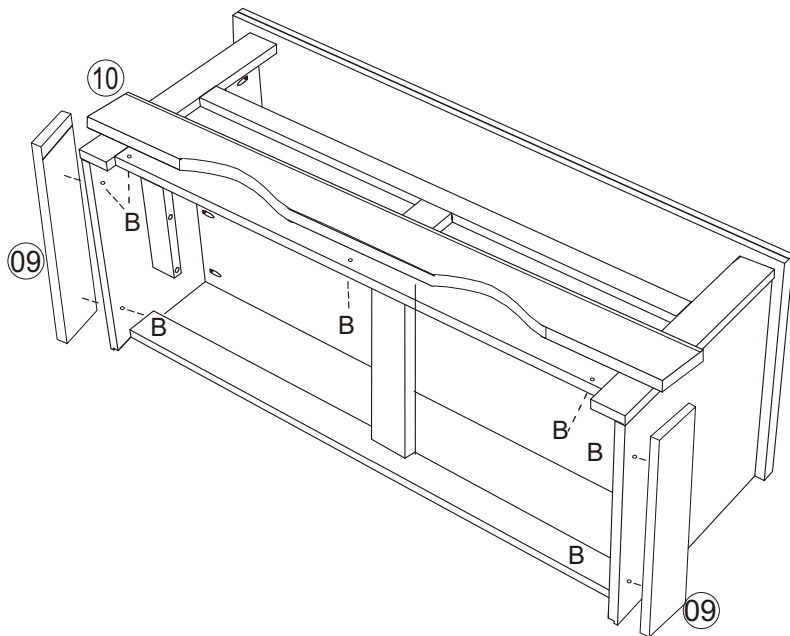
B		06
3,5x35		

06



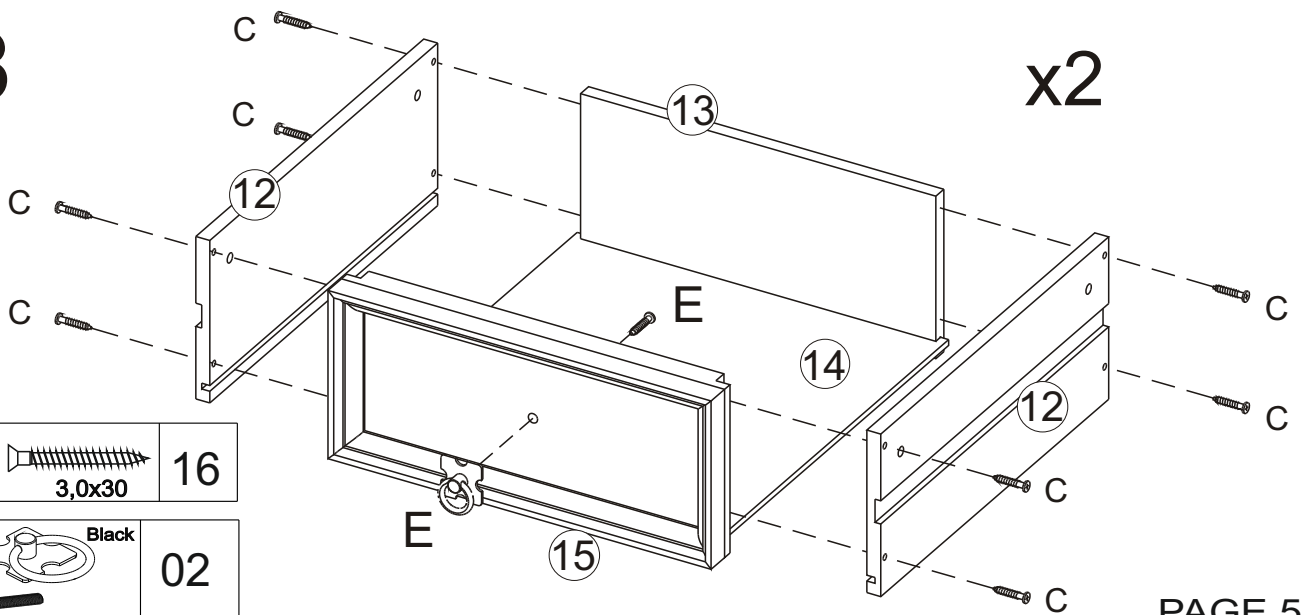
B		3,5x35	09
---	---	--------	----


07

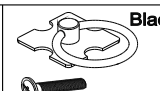


B		3,5x35	07
---	---	--------	----

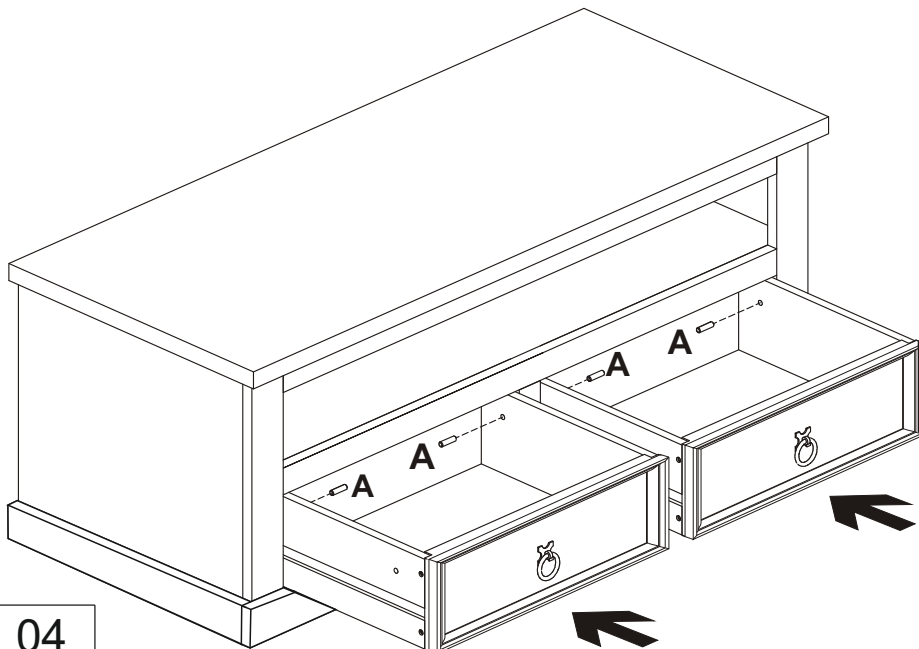
08

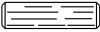


C		3,0x30	16
---	---	--------	----

E		Black	02
---	---	-------	----

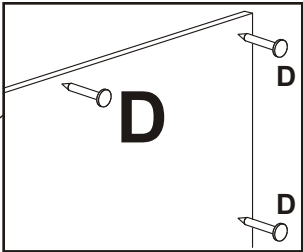
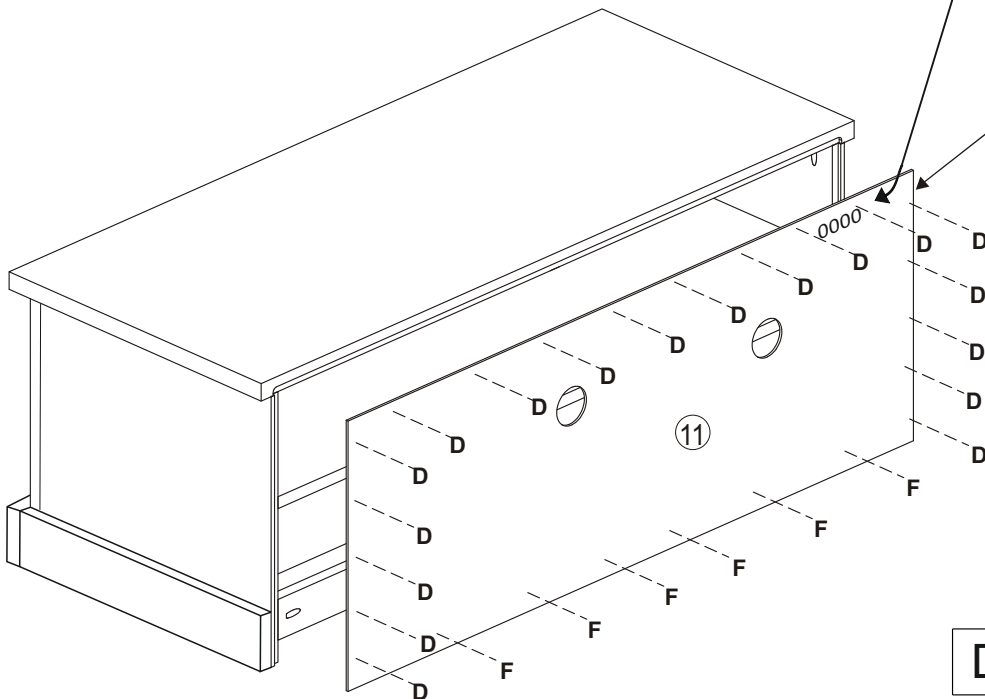
09

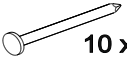
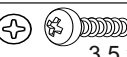


A	 8,0x30	04
---	---	----

10

* For your future reference
SPD Number should be here



D	 10 x 10	18
F	 3,5 x 16	06

* Use of power tools to assemble this product will invalidate any claim and could damage this product making it unsafe!!!
* Please assemble on a clean soft surface to avoid damage.