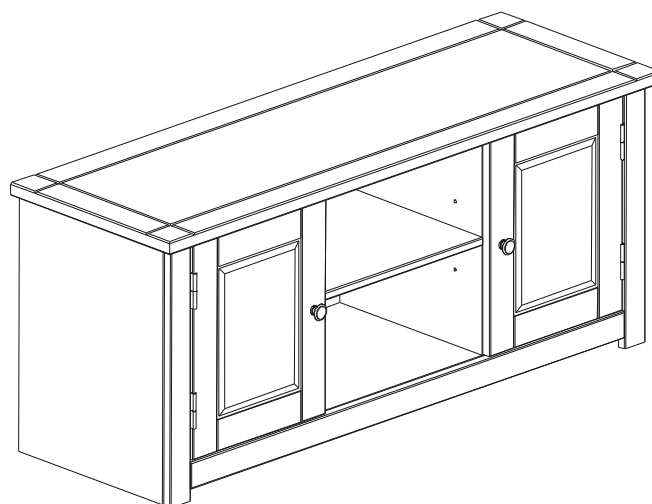


56234

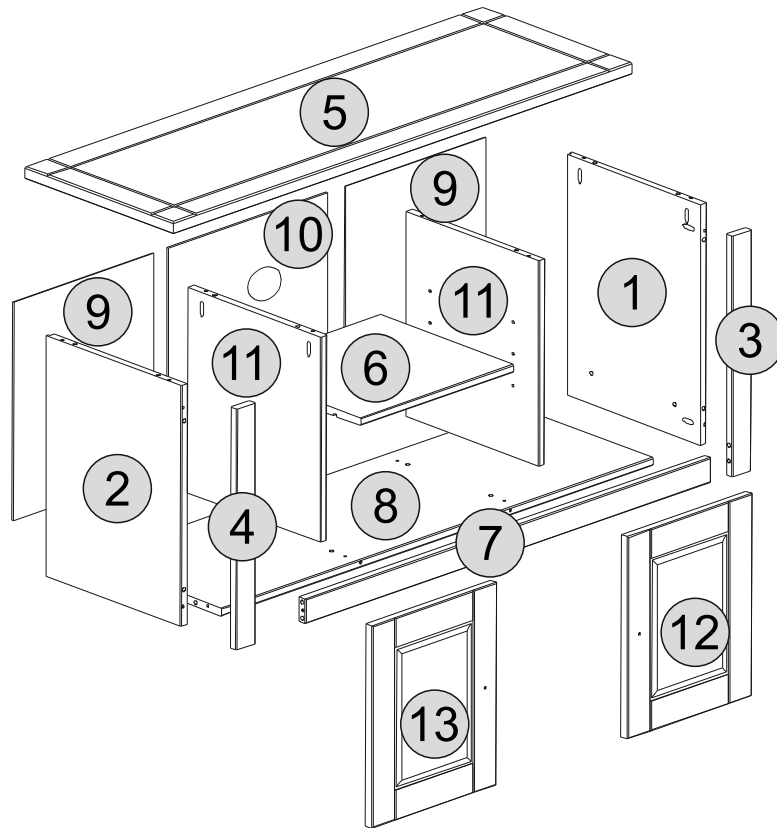
PANAMA FLAT SCREEN TV UNIT ASSEMBLY INSTRUCTIONS



IMPORTANT PLEASE READ BEFORE YOU CONTINUE FURTHER **FOR DOMESTIC USE ONLY** **CARE AND MAINTENANCE**

After unpacking this product please keep the original packaging in case it needs to be returned for any reason.

- Please ensure all fittings and parts are present before commencing with assembly.
- We recommend that you lay a blanket or sheet on the floor to avoid damage to both your floor and the product.
- We strongly recommend that you keep children away from your work area.
- Assemble this product as close to its final position as possible.
- Never drag or push products as this could cause damage to the joints making it inferior.
- Do not place this product next to a radiator or in direct sunlight.
- Wood is a natural product and may expand if subjected to damp and may shrink or crack if subjected to heat. Therefore it is recommended that room temperature is maintained, with no sudden temperature fluctuations.
- Make sure any spillage is wiped off immediately.
- Do not place hot or chilled items directly on to the surface, use a place mat or marking will occur.
- For general cleaning use a duster, and do not use detergents of any kind. However, the surface will need to be retreated from time to time. This can be done by using block wax (unperfumed) and rubbing it over the whole item.
- From time to time it may be necessary to tighten fittings, regular inspections should be carried out.






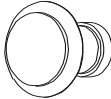

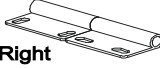

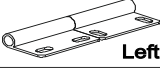
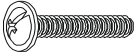

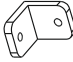
!
 * Use of power tools to assemble this product will invalidate any claim and damage this product making it unsafe !!!
 * Please assemble on a clean soft surface to avoid damage.

!
 * Please check contents and read the instructions before commencing assembly.
 * Assemble this product following the enclosed instructions carefully.
 * Please take care to avoid damaging panels during assembly.

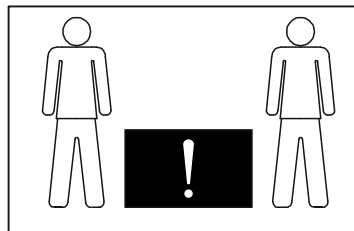
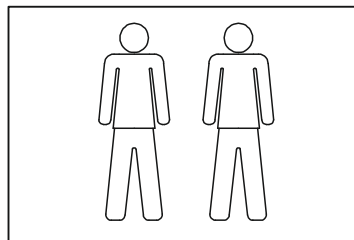
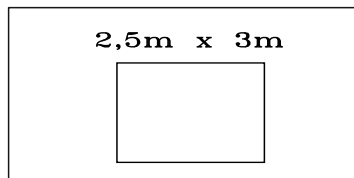
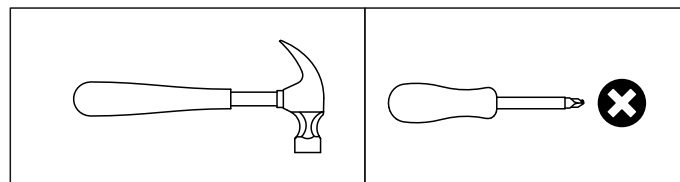
PARTS LIST

Part Number	Part Code	Part Description	Quantity	Carton
1	S300-305-019-PJ1-01	Right Side Panel	1	1/1
2	S300-305-019-PJ1-02	Left Side Panel	1	1/1
3	S300-305-019-PJ1-03	Right Front Upright	1	1/1
4	S300-305-019-PJ1-04	Left Front Upright	1	1/1
5	S300-305-019-PJ1-05	Top Panel	1	1/1
6	S300-305-019-PJ1-06	Shelf Panel	1	1/1
7	S300-305-019-PJ1-07	Front Crossbeam	1	1/1
8	S300-305-019-PJ1-08	Base	1	1/1
9	S300-305-019-PJ1-09	Back Side Panel	2	1/1
10	S300-305-019-PJ1-10	Back Centre Panel	1	1/1
11	S300-305-019-PJ1-11	Division Panel	2	1/1
12	S300-305-019-PJ1-12	Right Door	1	1/1
13	S300-305-019-PJ1-13	Left Door	1	1/1

FITTINGS

A	 Ø 8 x 30mm	24	F		02
B	 Ø 3,5 x 30mm	22	G		02
C	 Ø 3,0 x 14mm (Black)	28	H	 Right	02
D		04	I	 Left	02
E	 M4 x 25mm	02	J	 10x10mm	30
			K		02

TOOLS REQUIRED



STEP 1

PARTS REQUIRED

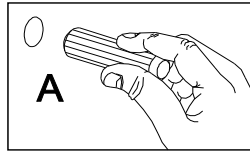
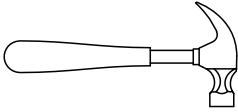
11 - DIVISION PANEL x2

HARDWARE REQUIRED

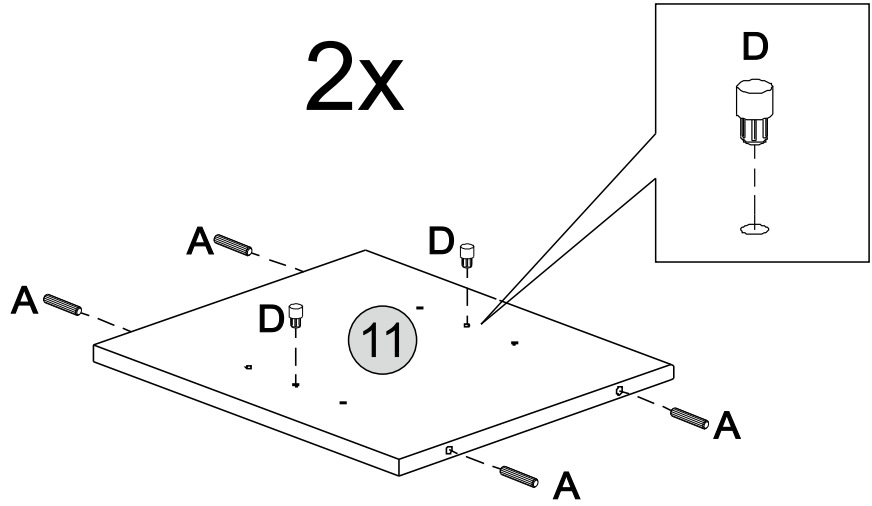
A  08
Ø 8 x 30mm

D  04

TOOLS REQUIRED



2x



Please assemble on a clean soft surface to avoid damage.

STEP 2

PARTS REQUIRED

7 - FRONT CROSSBEAM x1

8 - BASE x1

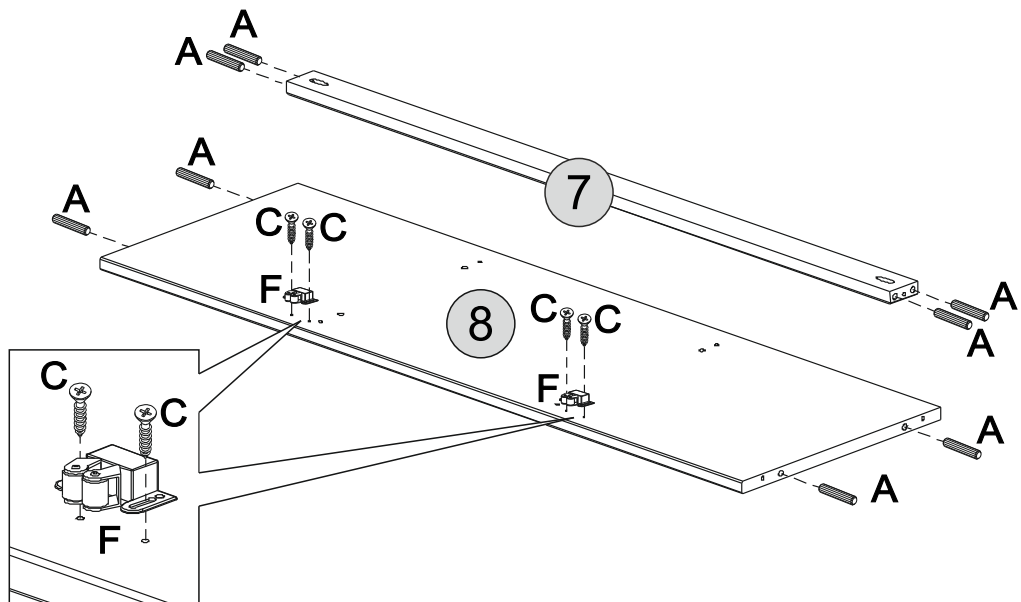
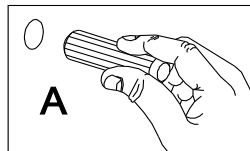
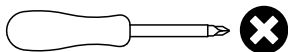
HARDWARE REQUIRED

A  08
Ø 8 x 30mm

C  04
Ø 3,0 x 14mm

F  02

TOOLS REQUIRED



Please assemble on a clean soft surface to avoid damage.

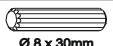
STEP 3

PARTS REQUIRED

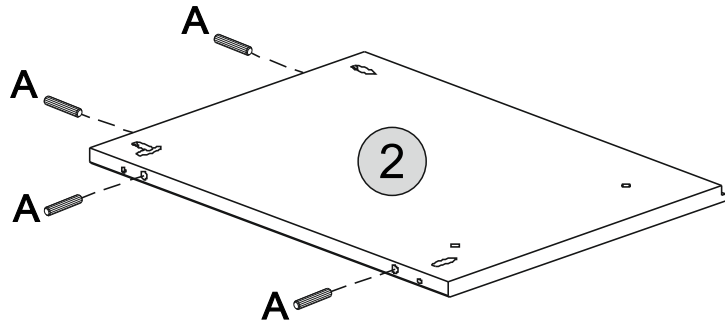
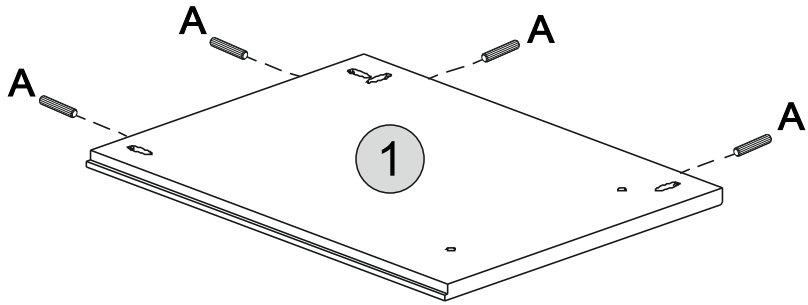
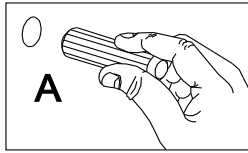
1 - RIGHT SIDE PANEL x1

2 - LEFT SIDE PANEL x1

HARDWARE REQUIRED

A  08
Ø 8 x 30mm

TOOLS REQUIRED



Please assemble on a clean soft surface to avoid damage.

STEP 4

PARTS REQUIRED

1 - RIGHT SIDE PANEL x1

2 - LEFT SIDE PANEL x1

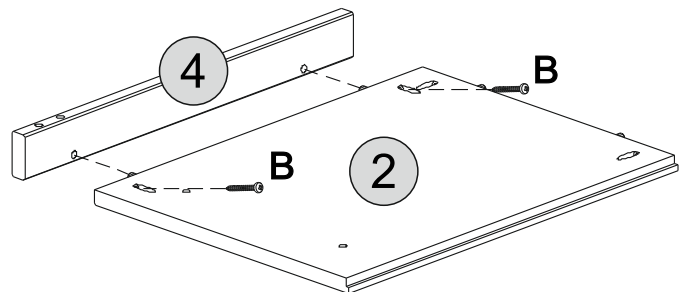
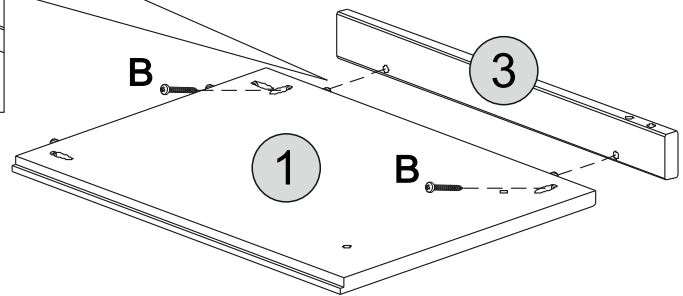
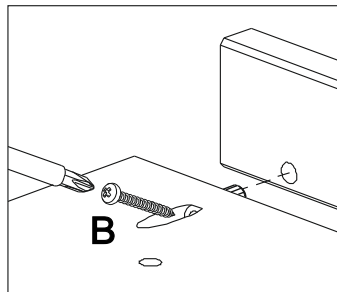
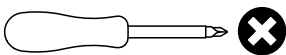
3 - RIGHT FRONT UPRIGHT x1

4 - LEFT FRONT UPRIGHT x1

HARDWARE REQUIRED

B  04
Ø 3,5 x 30mm

TOOLS REQUIRED




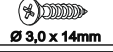
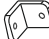
Please assemble on a clean soft surface to avoid damage.

STEP 5

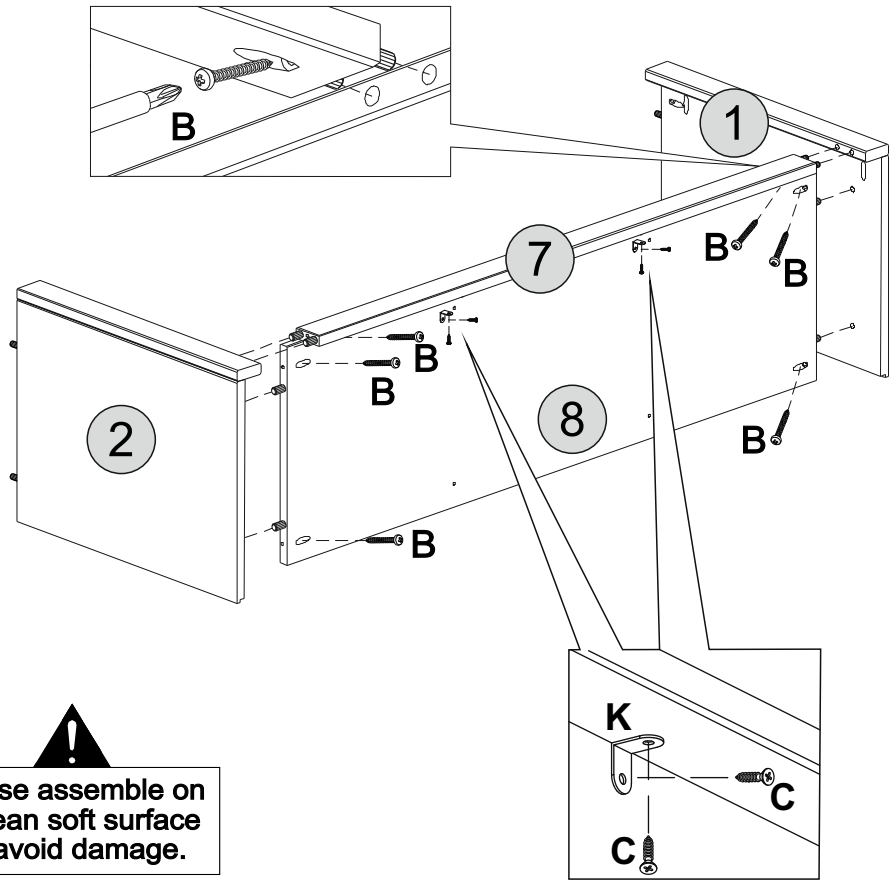
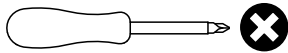
PARTS REQUIRED

1 - RIGHT SIDE PANEL	x1
2 - LEFT SIDE PANEL	x1
7 - FRONT CROSSBEAM	x1
8 - BASE	x1

HARDWARE REQUIRED

B		06
C		04
K		02

TOOLS REQUIRED

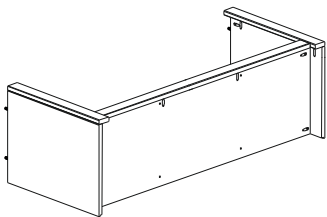


Please assemble on a clean soft surface to avoid damage.

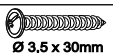
STEP 6

PARTS REQUIRED

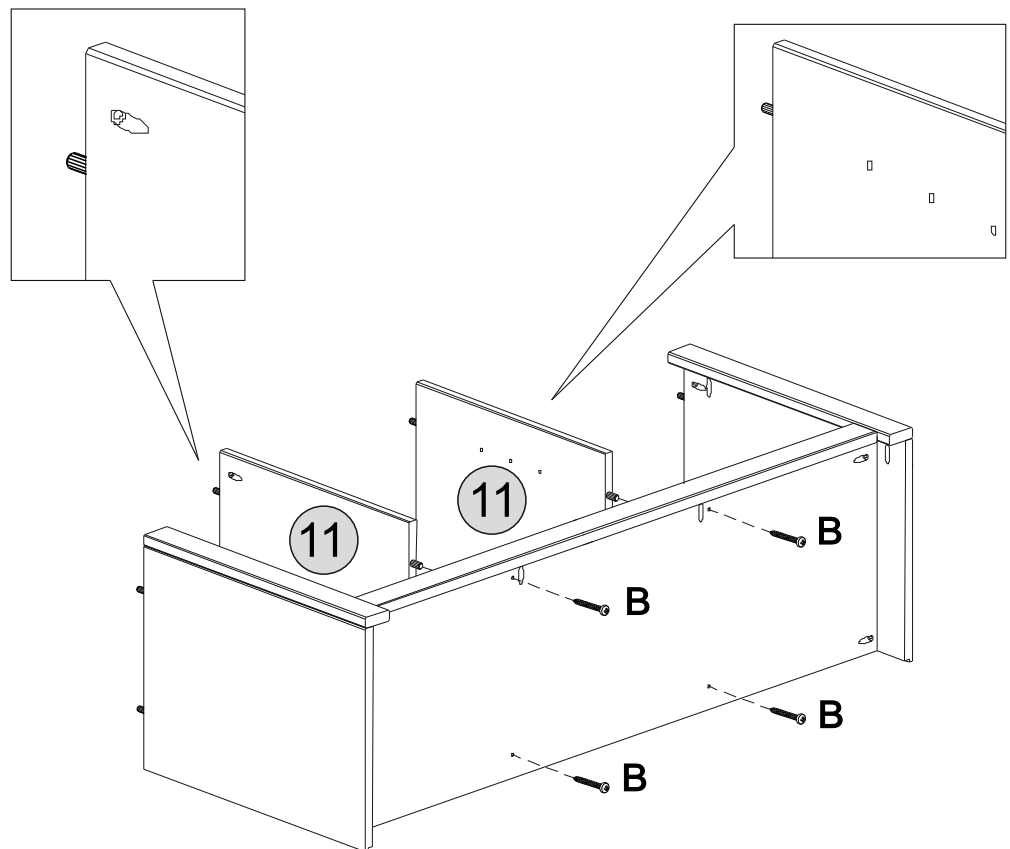
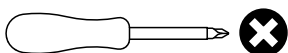
11 - DIVISION PANEL	x2
---------------------	----



HARDWARE REQUIRED

B		04
---	---	----

TOOLS REQUIRED

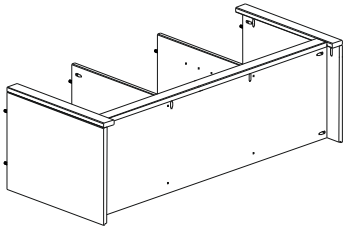


Please assemble on a clean soft surface to avoid damage.


STEP 7

PARTS REQUIRED

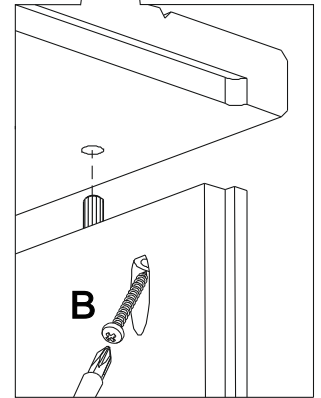
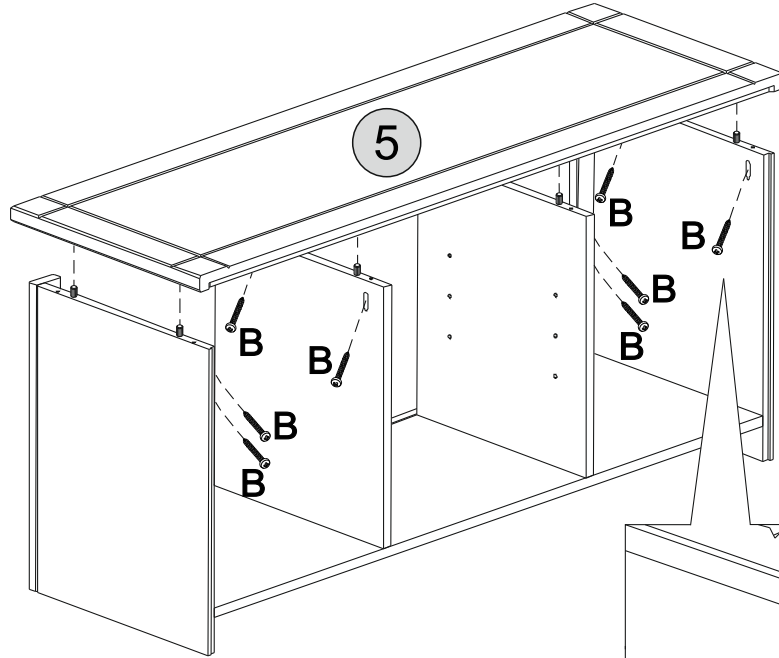
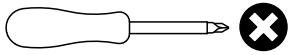
5 - TOP PANEL x1



HARDWARE REQUIRED

B  08
Ø 3,5 x 30mm

TOOLS REQUIRED



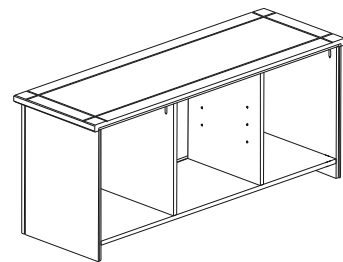
Please assemble on a clean soft surface to avoid damage.

STEP 8

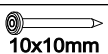
PARTS REQUIRED

9 - BACK SIDE PANEL x2

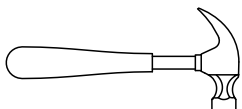
10 - BACK CENTRE PANEL x1



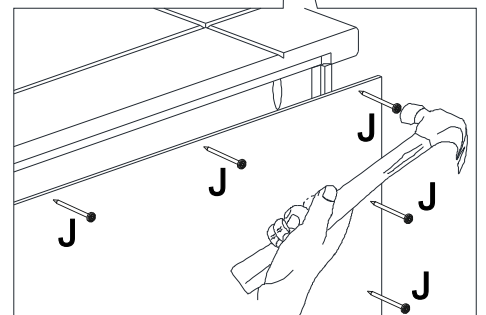
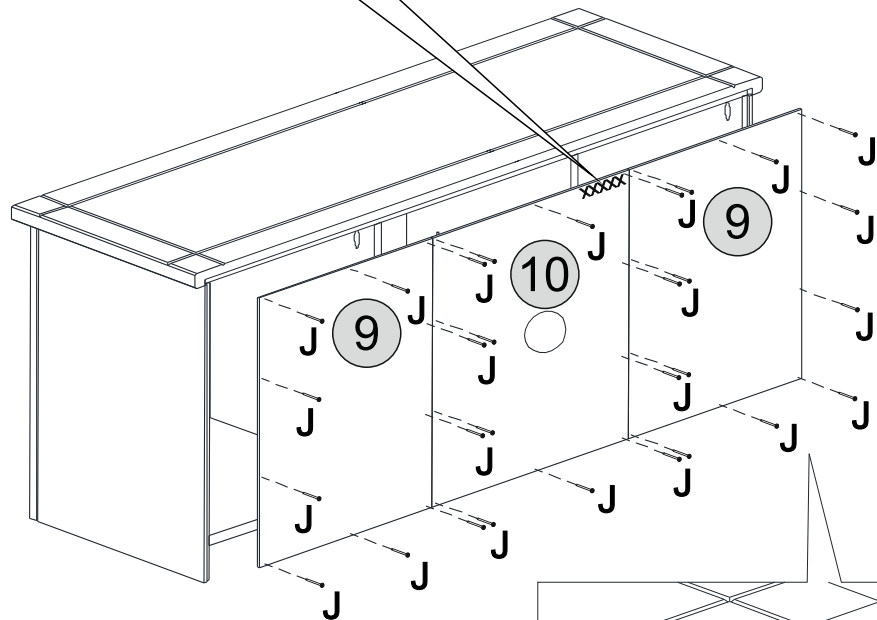
HARDWARE REQUIRED

J  30
10x10mm

TOOLS REQUIRED



For your future reference order number should be here



Please assemble on a clean soft surface to avoid damage.

STEP 9

PARTS REQUIRED

12 - RIGHT DOOR x1


13 - LEFT DOOR x1

HARDWARE REQUIRED

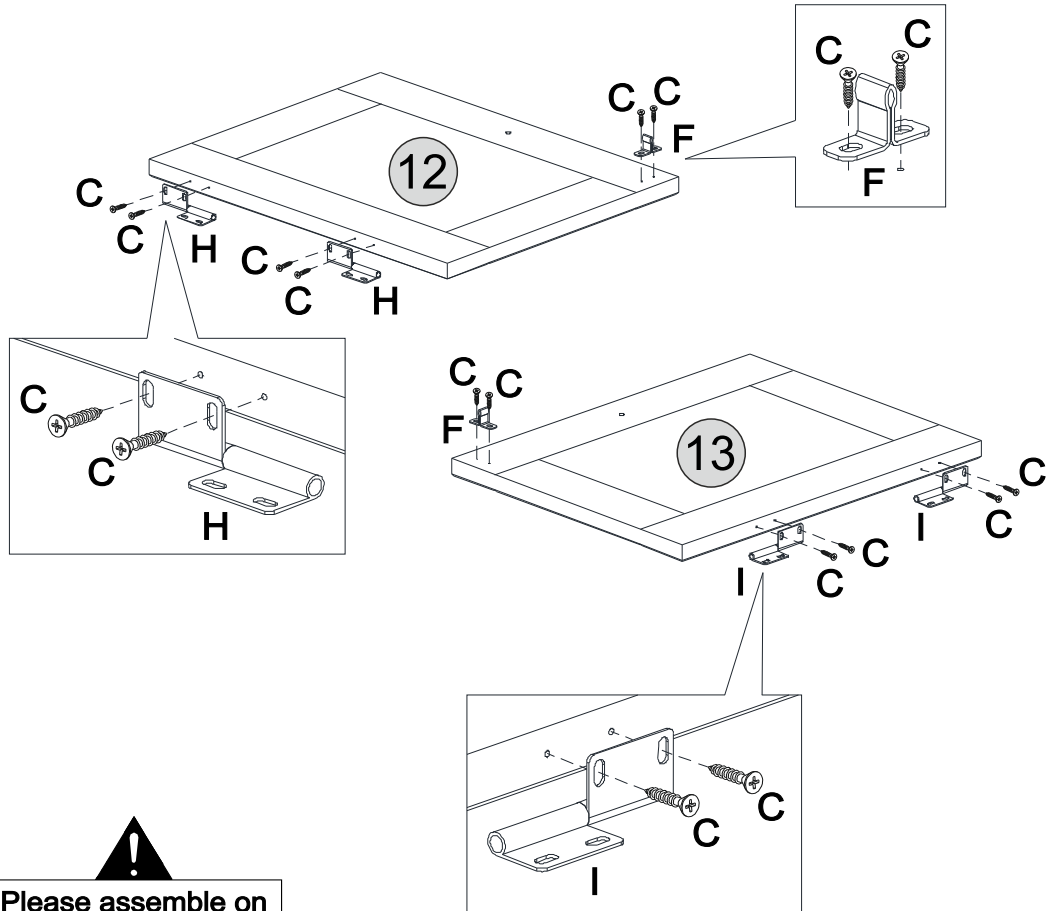
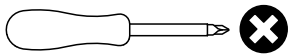
C  12
Ø 3,0 x 14mm


F  02

H  02

I  02

TOOLS REQUIRED



 Please assemble on a clean soft surface to avoid damage.

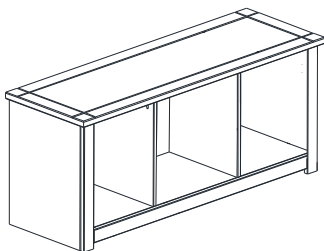
STEP 10

PARTS REQUIRED


6- SHELF x1

12 - RIGHT DOOR x1

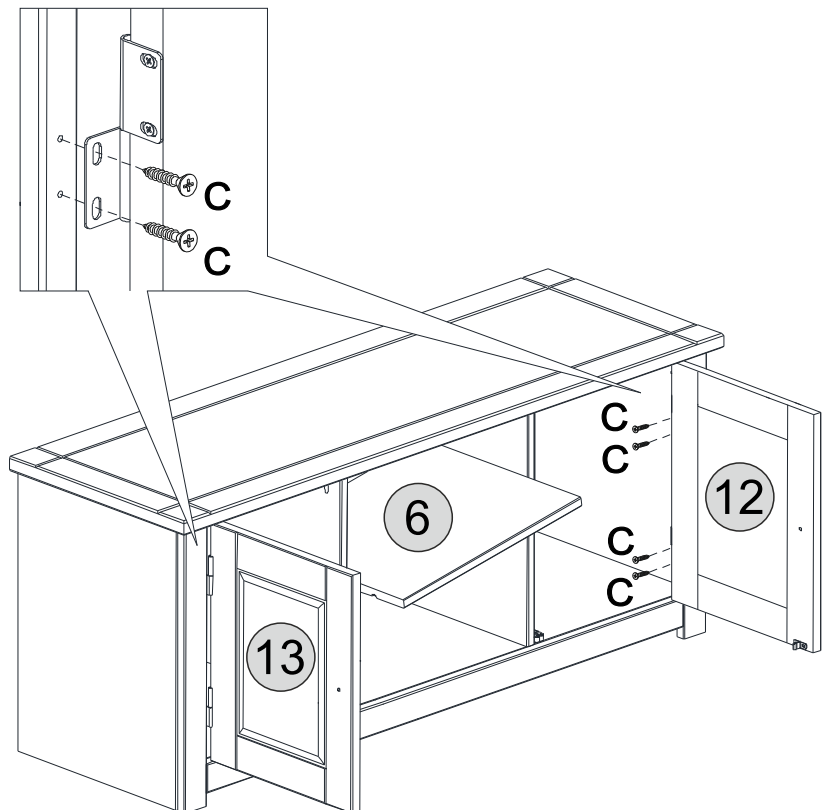
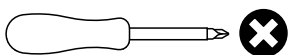
13 - LEFT DOOR x1



HARDWARE REQUIRED

C  08
Ø 3,0 x 14mm

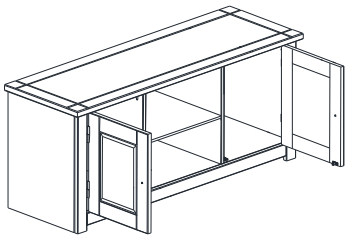
TOOLS REQUIRED



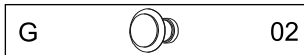
 Please assemble on a clean soft surface to avoid damage.

STEP 11

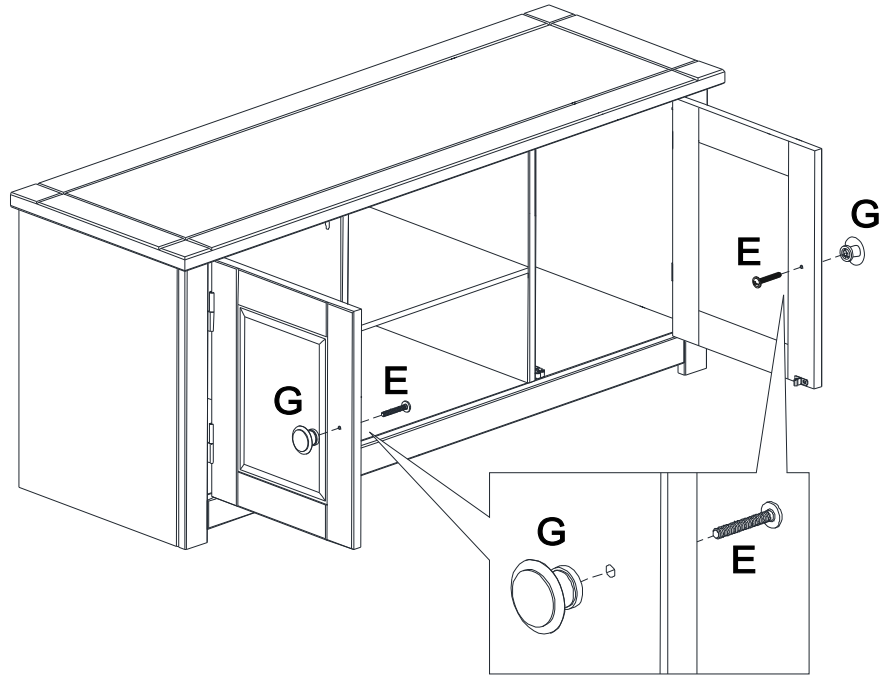
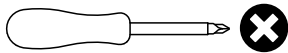
PARTS REQUIRED



HARDWARE REQUIRED



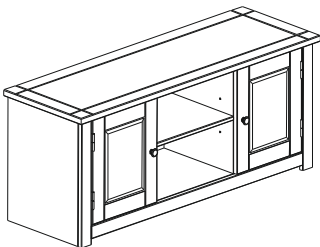
TOOLS REQUIRED



Please assemble on a clean soft surface to avoid damage.

STEP 12

PARTS REQUIRED



HARDWARE REQUIRED

TOOLS REQUIRED

