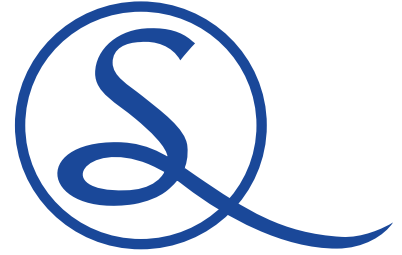
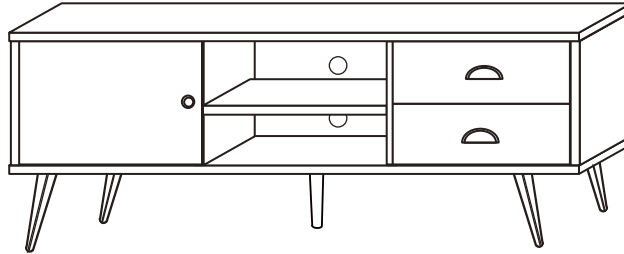


OTTAWA 1 DOOR 2 DRAWER TV UNIT ASSEMBLY INSTRUCTIONS



FOR DOMESTIC USE ONLY IMPORTANT

PLEASE READ BEFORE YOU CONTINUE FURTHER

THE PRODUCT YOU HAVE PURCHASED WILL GIVE YOU MANY YEARS OF SERVICE IF YOU FOLLOW THE GUIDELINES FOR ITS SAFE ASSEMBLY AND PERIODIC MAINTENANCE AND CLEANING.

ASSEMBLE ON A SOFT CLEAN SURFACE.

DO NOT USE ANY TOOLS OTHER THAN THOSE SHOWN.

ANY SPANNERS OR ALLEN KEYS REQUIRED ARE INCLUDED WITH THE FITTINGS KIT.

DO NOT FOR ANY REASON USE A POWER TOOL TO ASSEMBLE THIS PRODUCT. ITS USE WILL INVALIDATE ANY CLAIM YOU MAY HAVE AND COULD MAKE THIS PRODUCT UNSAFE.

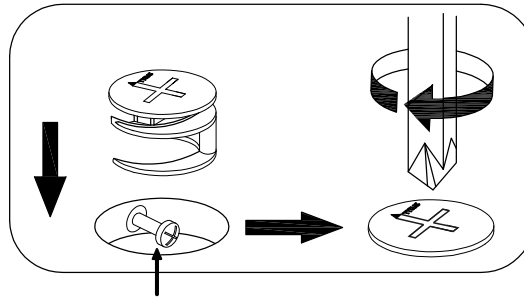
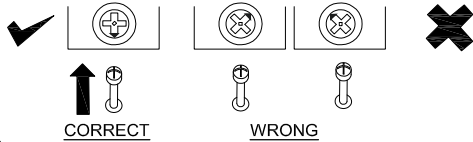
**DEPENDING ON THE AMOUNT OF USE THIS PRODUCT RECEIVES IT MAY BE NECESSARY TO TIGHTEN UP THE FIXINGS FROM TIME TO TIME. THIS IS COMPLETELY NORMAL FOR ANY FLAT PACK FURNITURE.
DO NOT OVERTIGHTEN FIXINGS.**

FOR CLEANING, YOU MAY USE A DAMP CLOTH (NOT WET) DO NOT USE POLISH, DETERGENT OR CHEMICAL CLEANERS.

THE SURFACE OF THIS ITEM IS NOT HEAT RESISTANT. ALWAYS USE A PLACE MAT UNDER HOT OR COLD ITEMS TO PREVENT MARKING.

TIPS FOR FITTING CAM-LOCKS

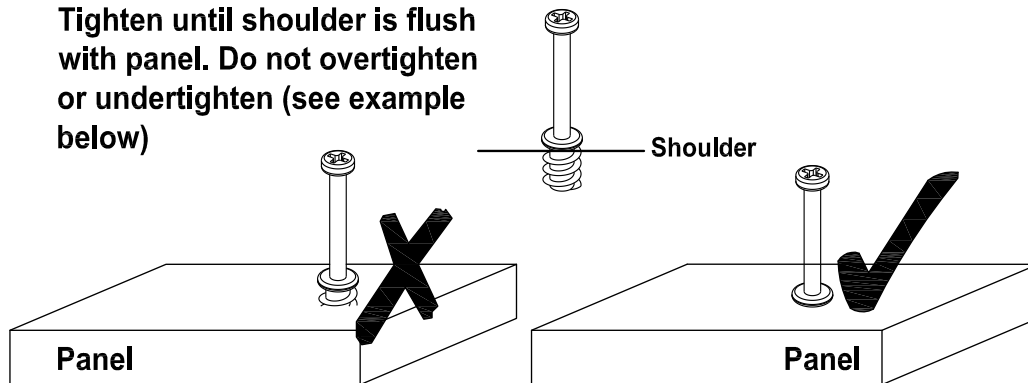
WHEN FITTING CAM-LOCK
ENSURE STARTING POSITION IS CORRECT
BEFORE YOU INSERT CONNECTING CAM BOLT
TURN CLOCKWISE UNTIL SECURE



Cam bolt head needs to be in centre

CAMBOLT

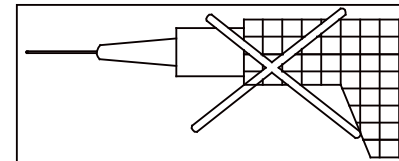
Tighten until shoulder is flush with panel. Do not overtighten or undertighten (see example below)



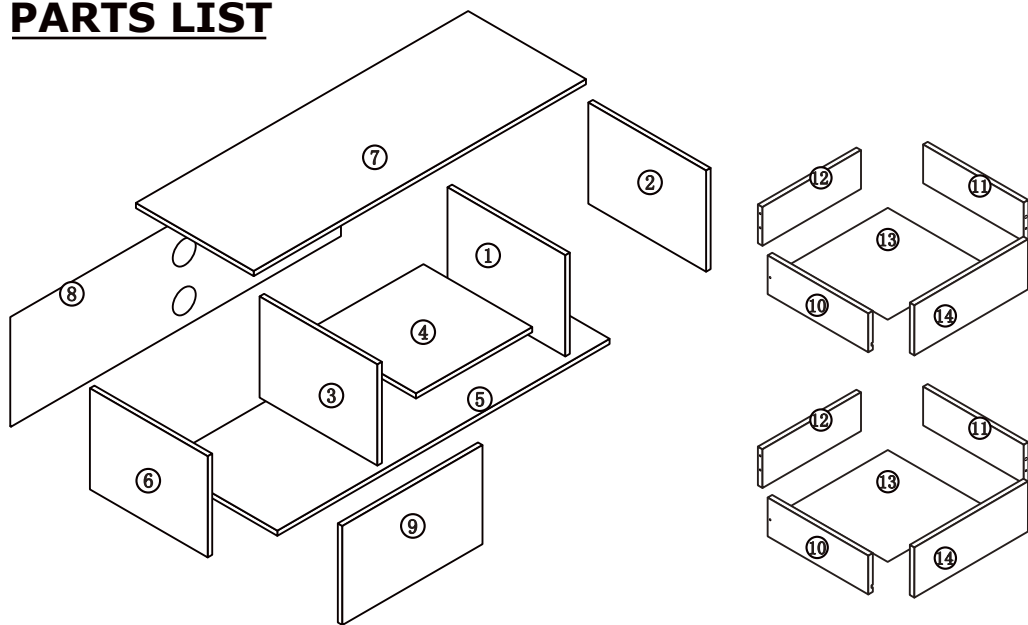
TWO PERSONS REQUIRED TO ASSEMBLE THIS PRODUCT

1. Please check that you have all the parts listed before you start assembling. If you do find that something is missing, do not continue assembly. Please contact your supplier immediately.
2. Lay out all of the components on a soft surface as if you were preparing to do a jigsaw puzzle.
3. Separate and identify each component, from the hardware pack and rest each one in its proper location before fastening.

THE USE OF POWER TOOLS TO ASSEMBLE THIS PRODUCT WILL INVALIDATE ANY CLAIM AND MAY DAMAGE THIS PRODUCT MAKING IT UNSAFE



PARTS LIST



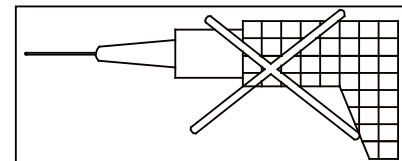
HARDWARE LIST

SEC/SH/11/19/FU1

1	MIDDLE VERTICAL PANEL-RIGHT	1 PC	8	BACK PANEL	1 PC
2	RIGHT HAND SIDE PANEL	1 PC	9	DOOR	1 PC
3	MIDDLE VERTICAL PANEL-LEFT	1 PC	10	LEFT HAND SIDE DRAWER PANEL.	2 PCS
4	SHELF	1 PC	11	RIGHT HAND SIDE DRAWER PANEL.	2 PCS
5	BOTTOM PANEL	1 PC	12	DRAWER BACK	2 PCS
6	LEFT HAND SIDE PANEL	1 PC	13	DRAWER BOTTOM	2 PCS
7	TOP PANEL	1 PC	14	DRAWER FRONT	2 PCS




A		7x39mm CAM BOLT	12 PCS
B		CAM LOCK	12 PCS
C		8x30mm DOWEL	28 PCS
D		5x40mm SCREW	8 PCS
E		3.5x14mm SCREW	34 PCS
F		3x16mm SCREW	16 PCS
G		METAL LEG	4 PCS
H		4x14mm SCREW	20 PCS
I		MIDDLE LEG	1 PC
J		DOOR STOP	1 PC
K		HINGE	2 PCS
L		HANDLE & BOLT	1 PC
M		HANDLE & BOLT	2 PCS
N		5x60mm SCREW	8 PCS
O		ADJUSTABLE FOOT	1 PC
CL		DRAWER RUNNER	2 PCS
CR		DRAWER RUNNER	2 PCS
DL		DRAWER RUNNER	2 PCS
DR		DRAWER RUNNER	2 PCS

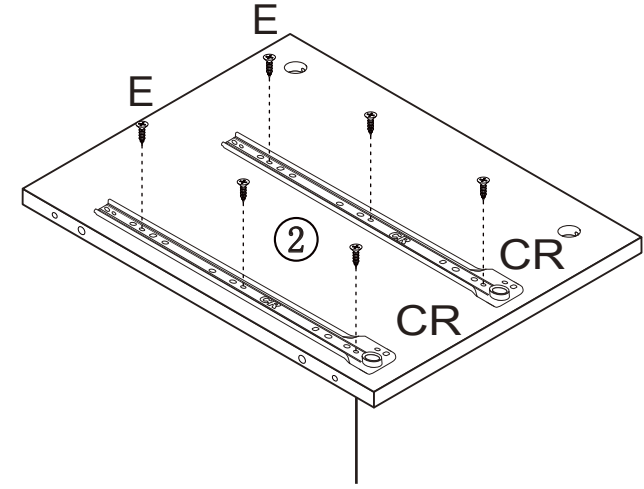
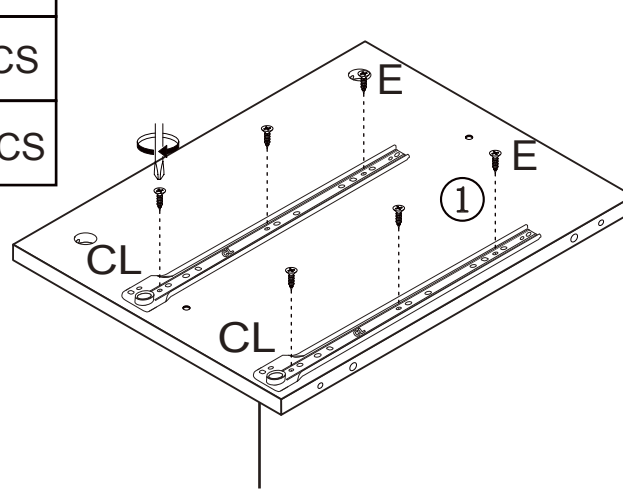
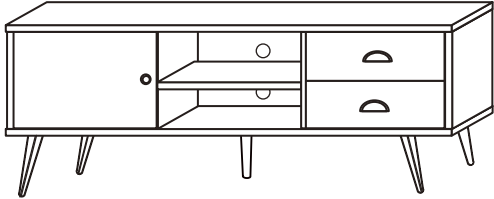
THE USE OF POWER TOOLS TO ASSEMBLE THIS PRODUCT WILL INVALIDATE ANY CLAIM AND MAY DAMAGE THIS PRODUCT MAKING IT UNSAFE



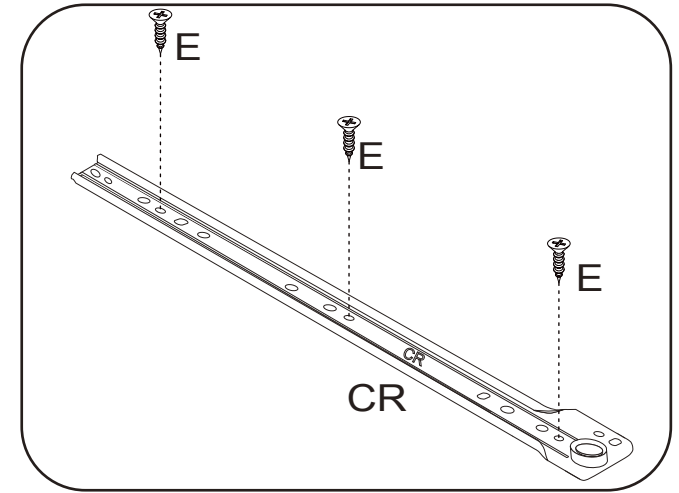
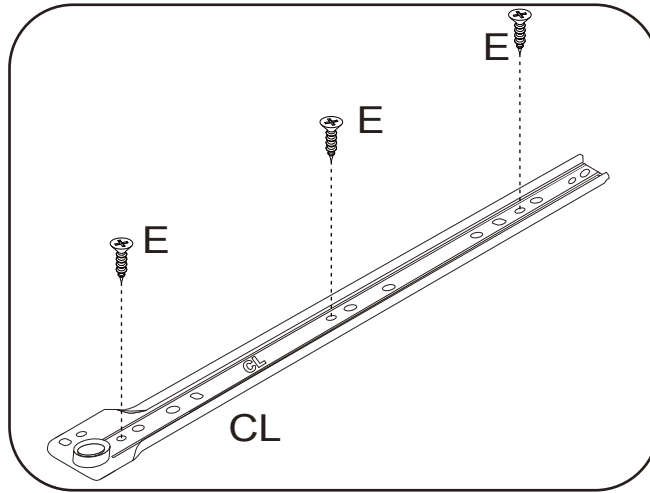
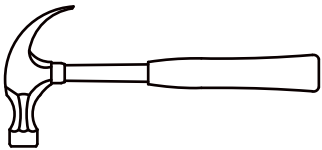
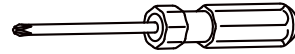
STEP 1

You will need:-

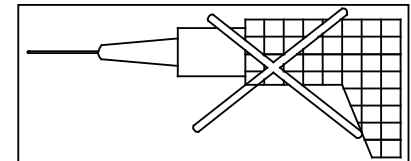
CL		2 PCS
CR		2 PCS
E		12 PCS



NOT PROVIDED





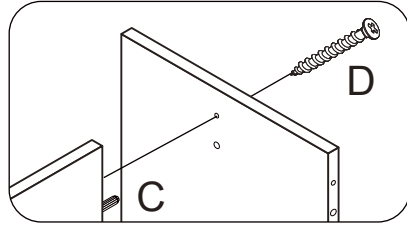
THE USE OF POWER TOOLS TO ASSEMBLE THIS PRODUCT WILL INVALIDATE ANY CLAIM AND MAY DAMAGE THIS PRODUCT MAKING IT UNSAFE



STEP 2



You will need:-

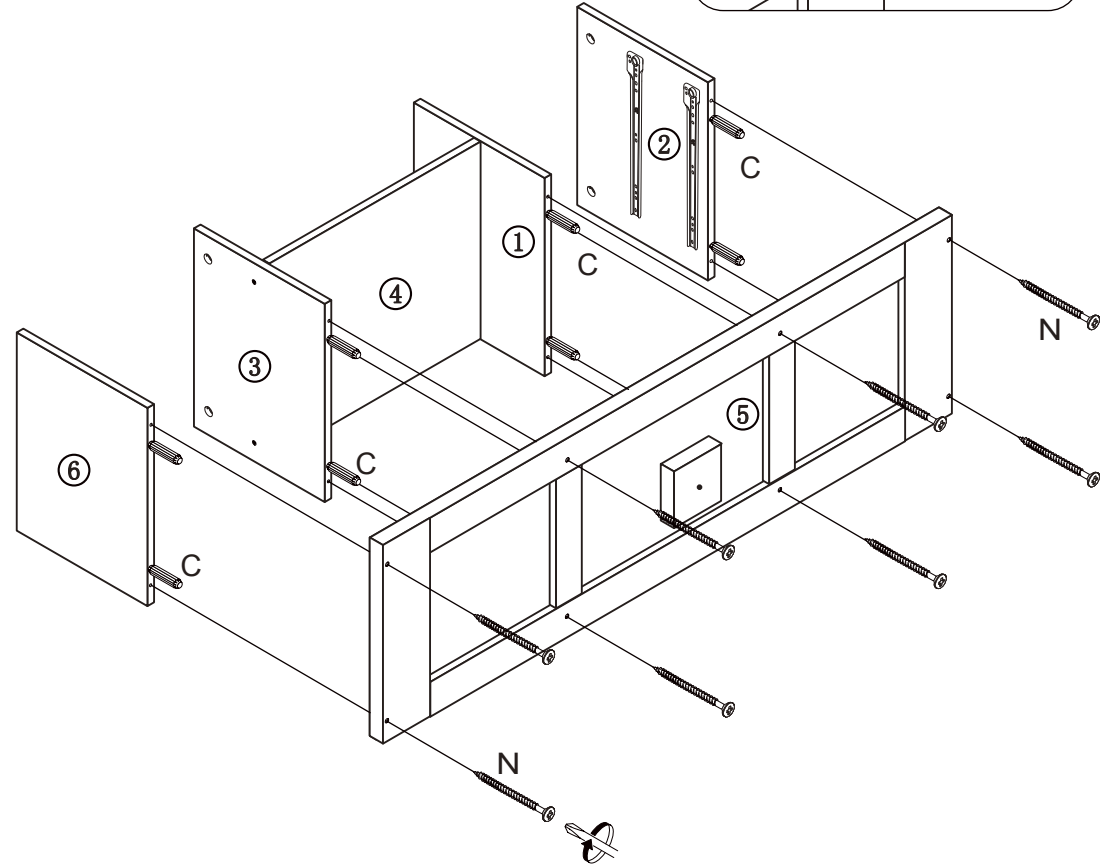
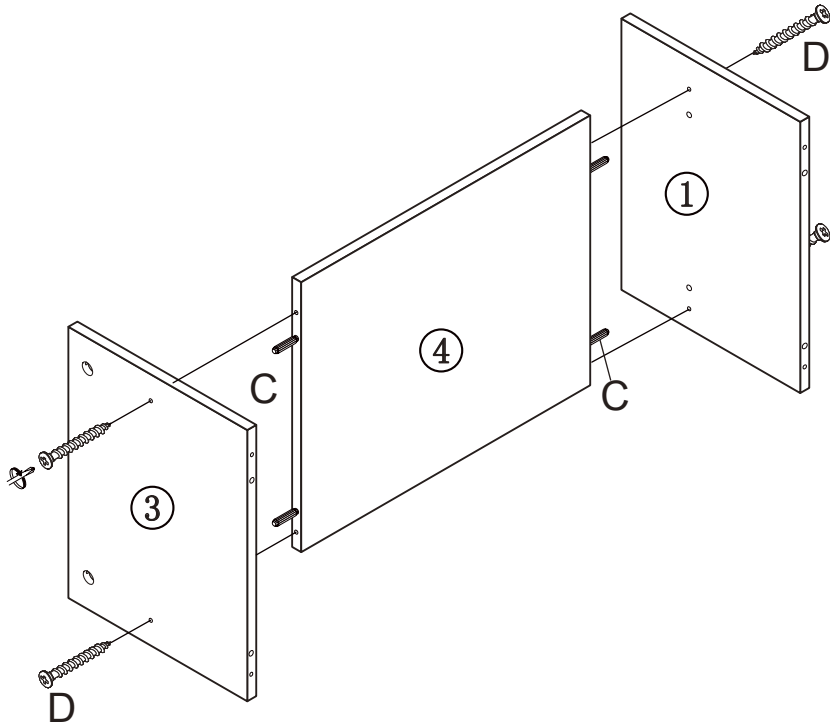
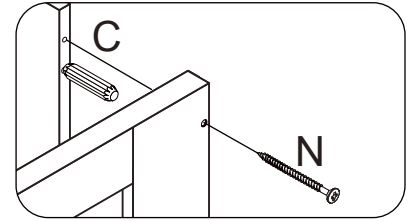
C		4 PCS
D		4 PCS



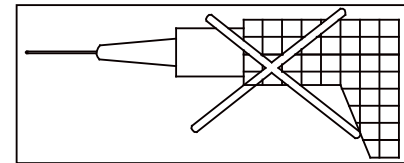
STEP 3

You will need:-

C		8 PCS
N		8 PCS







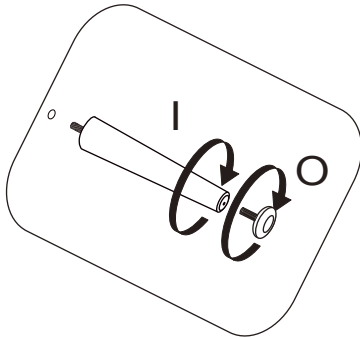
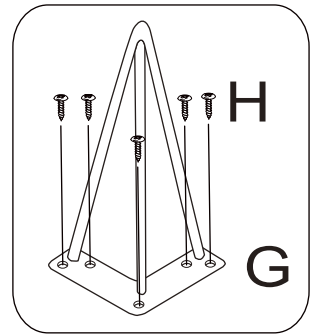
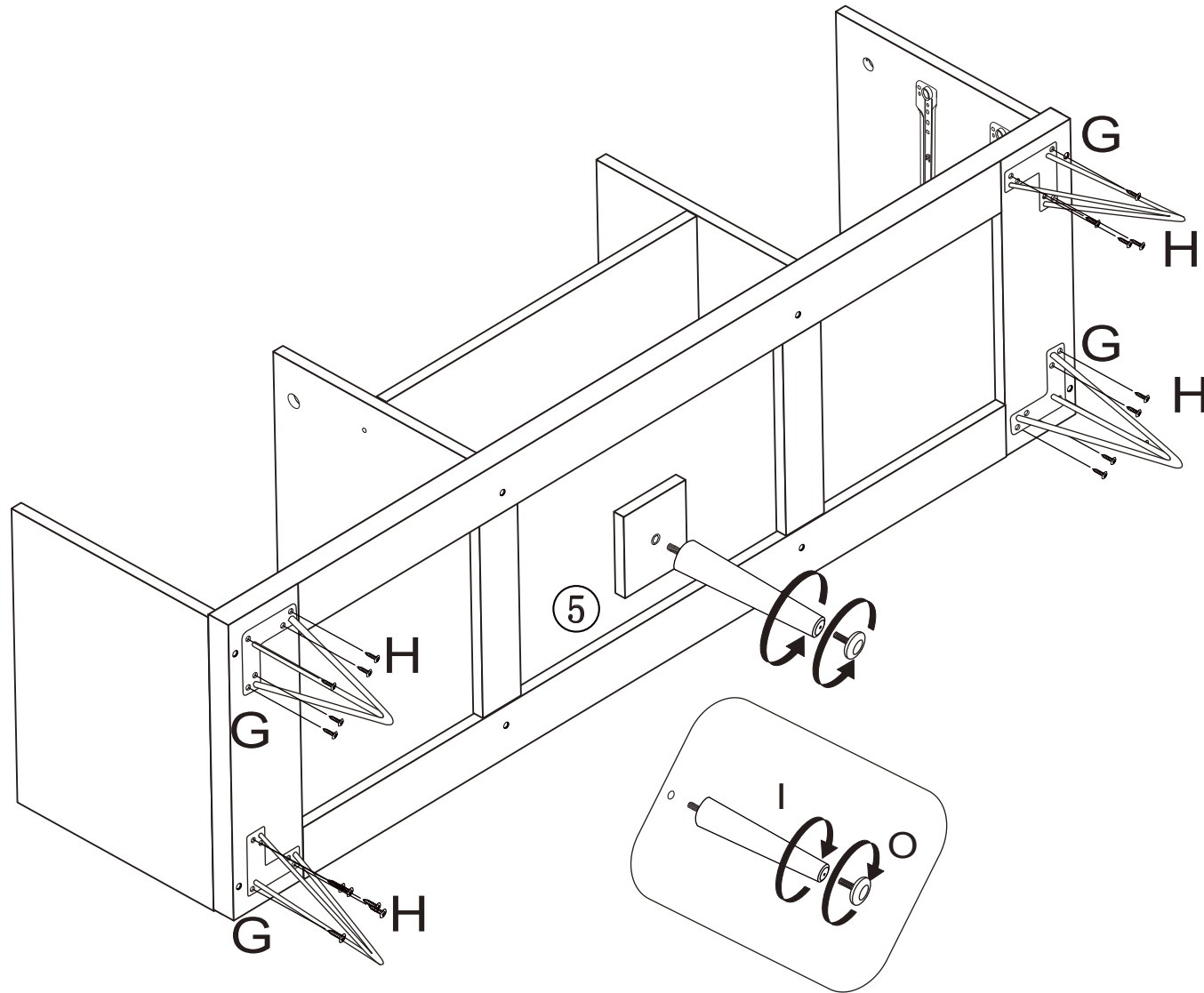
THE USE OF POWER TOOLS TO ASSEMBLE THIS PRODUCT WILL INVALIDATE ANY CLAIM AND MAY DAMAGE THIS PRODUCT MAKING IT UNSAFE



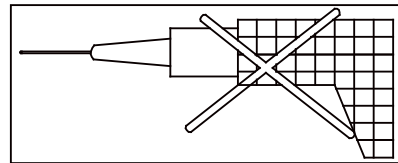
STEP 4

You will need:-

G		4 PCS
H		20 PCS
I		1 PC
O		1 PC






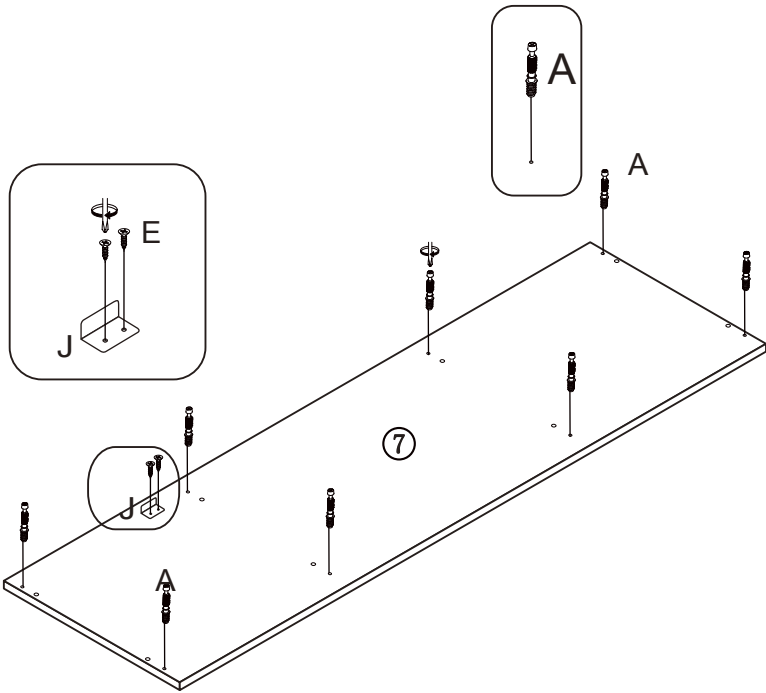
THE USE OF POWER TOOLS TO ASSEMBLE THIS PRODUCT WILL INVALIDATE ANY CLAIM AND MAY DAMAGE THIS PRODUCT MAKING IT UNSAFE



STEP 5



You will need:-

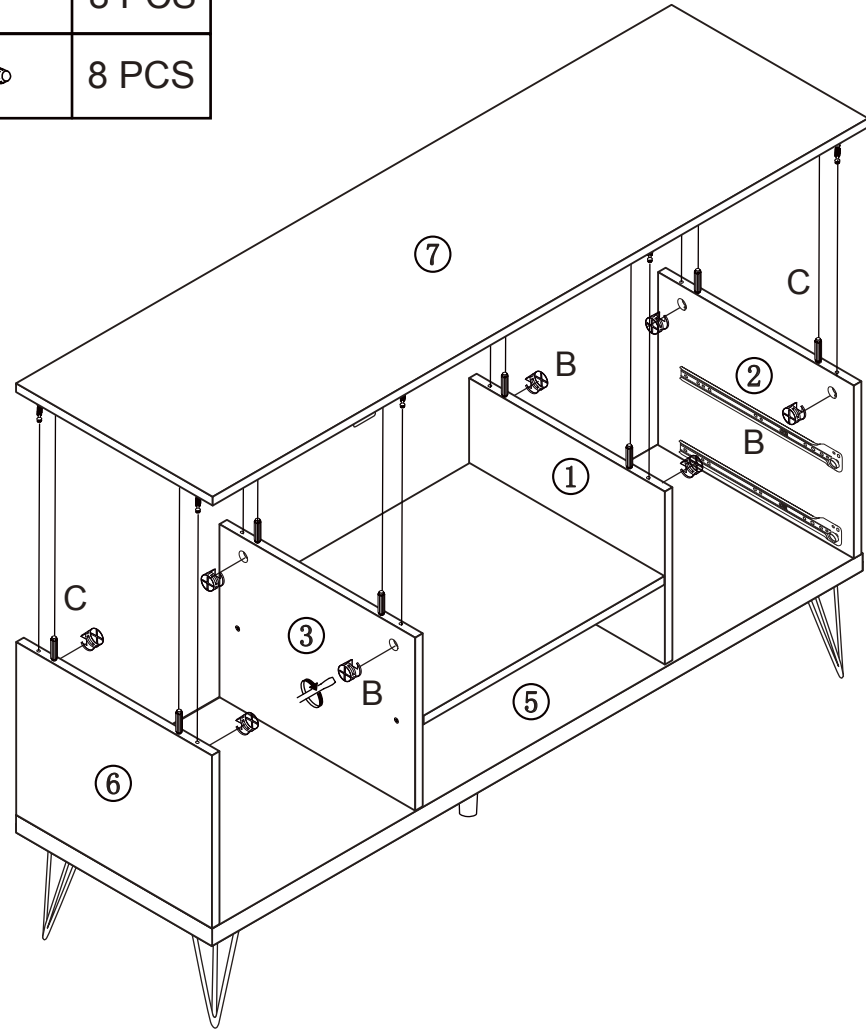
A		8 PCS
E		2 PCS
J		1 PCS



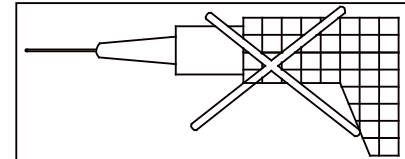
STEP 6

You will need:-

B		8 PCS
C		8 PCS



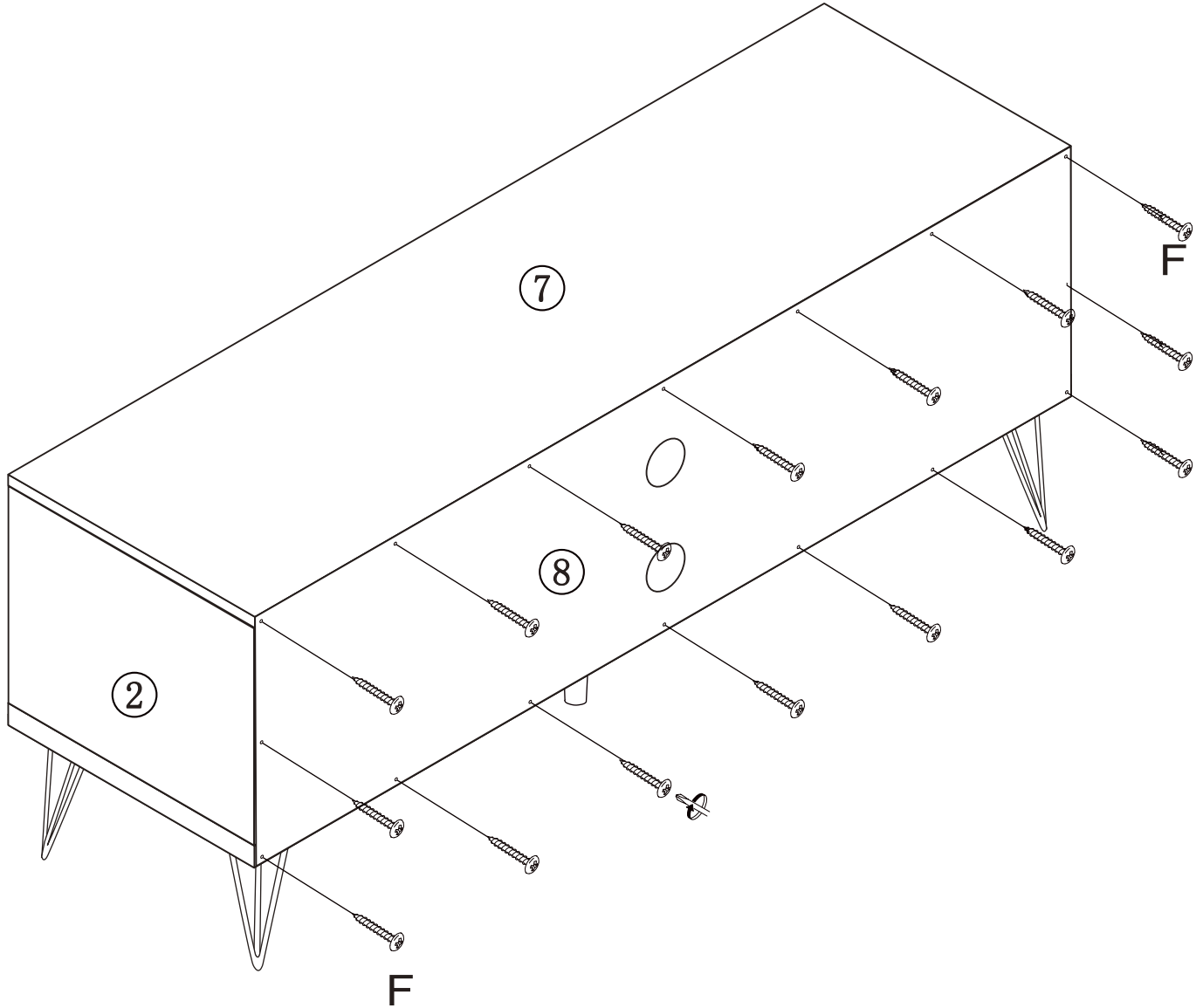
THE USE OF POWER TOOLS TO ASSEMBLE THIS PRODUCT WILL INVALIDATE ANY CLAIM AND MAY DAMAGE THIS PRODUCT MAKING IT UNSAFE



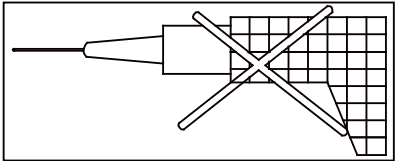
STEP 7

You will need:-

F		16 PCS
---	---	--------






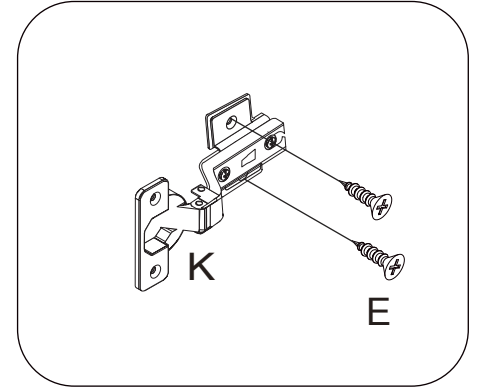
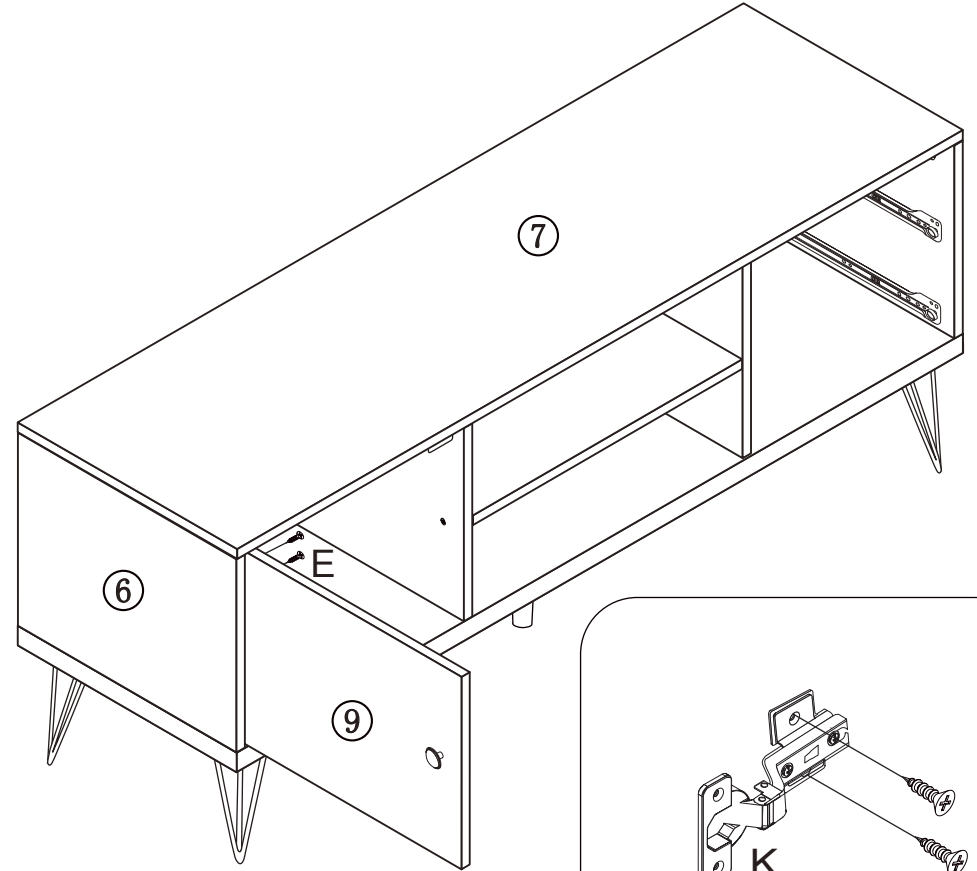
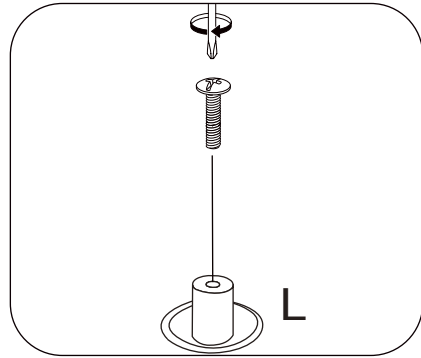
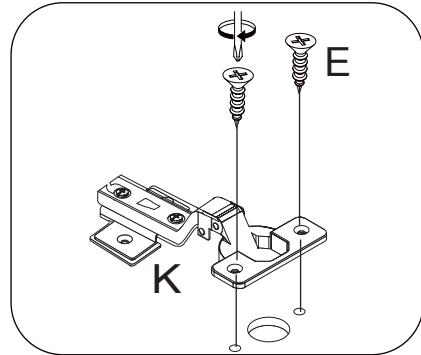
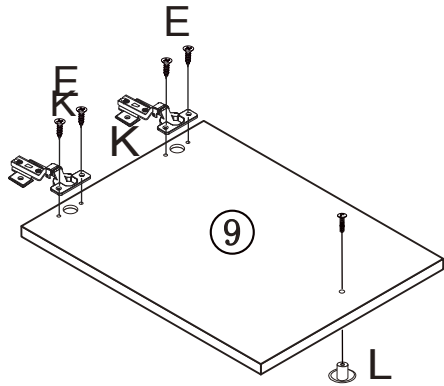
THE USE OF POWER TOOLS TO ASSEMBLE THIS PRODUCT WILL INVALIDATE ANY CLAIM AND MAY DAMAGE THIS PRODUCT MAKING IT UNSAFE



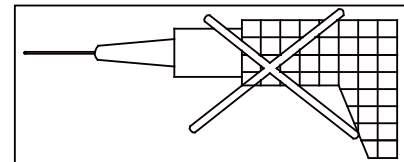
STEP 8

You will need:-

E		8 PCS
K		2 PCS
L		1 PC











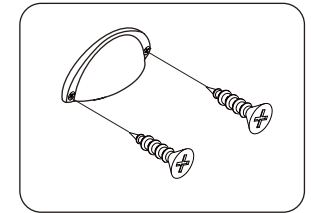
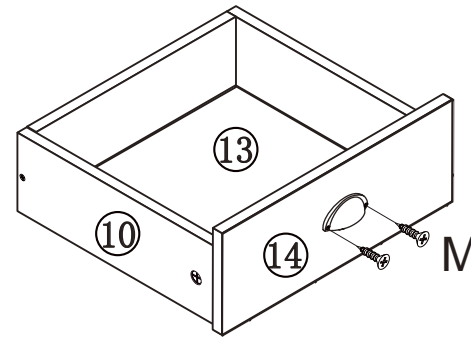
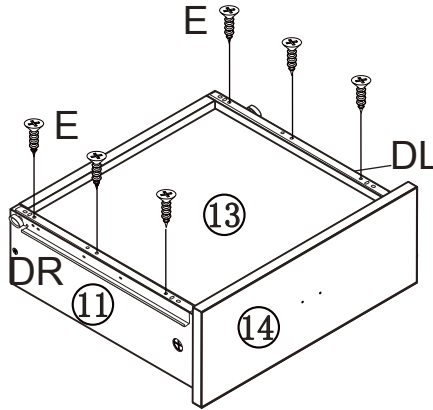
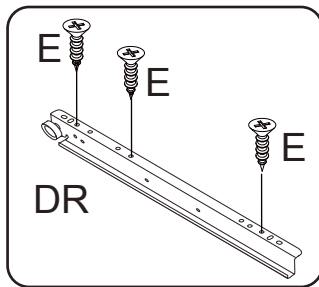
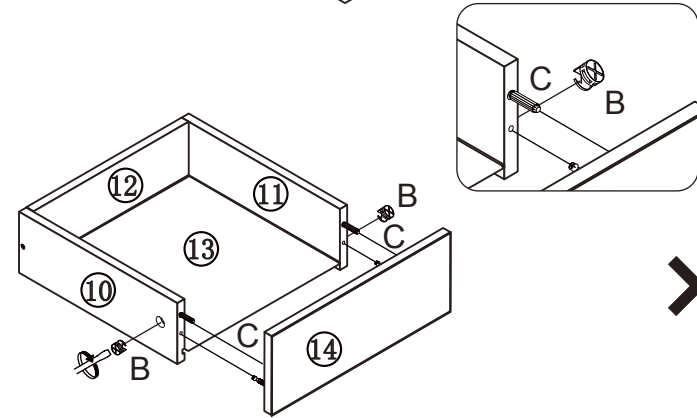
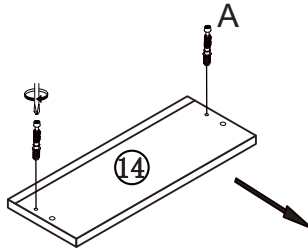
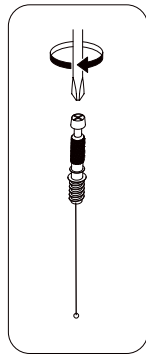
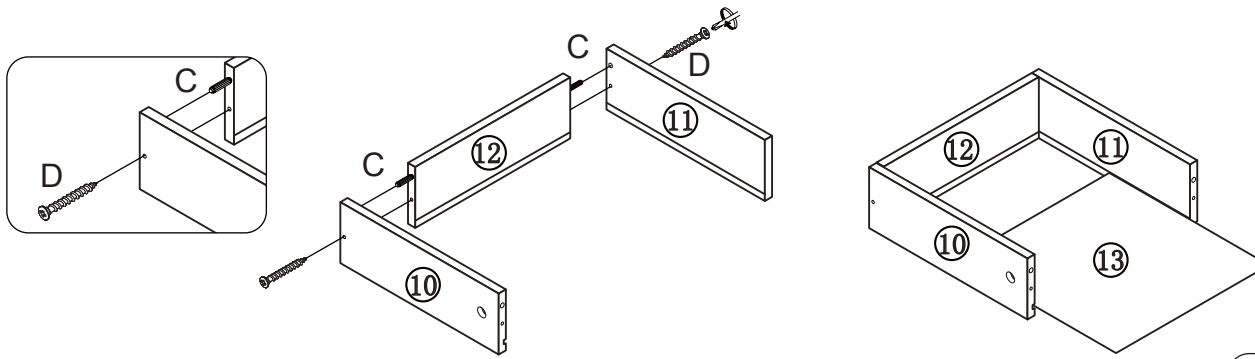
THE USE OF POWER TOOLS TO ASSEMBLE THIS PRODUCT WILL INVALIDATE ANY CLAIM AND MAY DAMAGE THIS PRODUCT MAKING IT UNSAFE



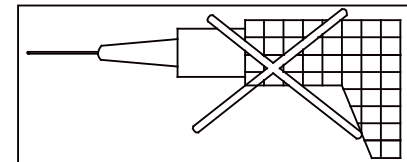
STEP 9

You will need:-

A		4 PCS
B		4 PCS
C		8 PCS
D		4 PCS
E		12 PCS
M		2 PCS
DL		2 PCS
DR		2 PCS

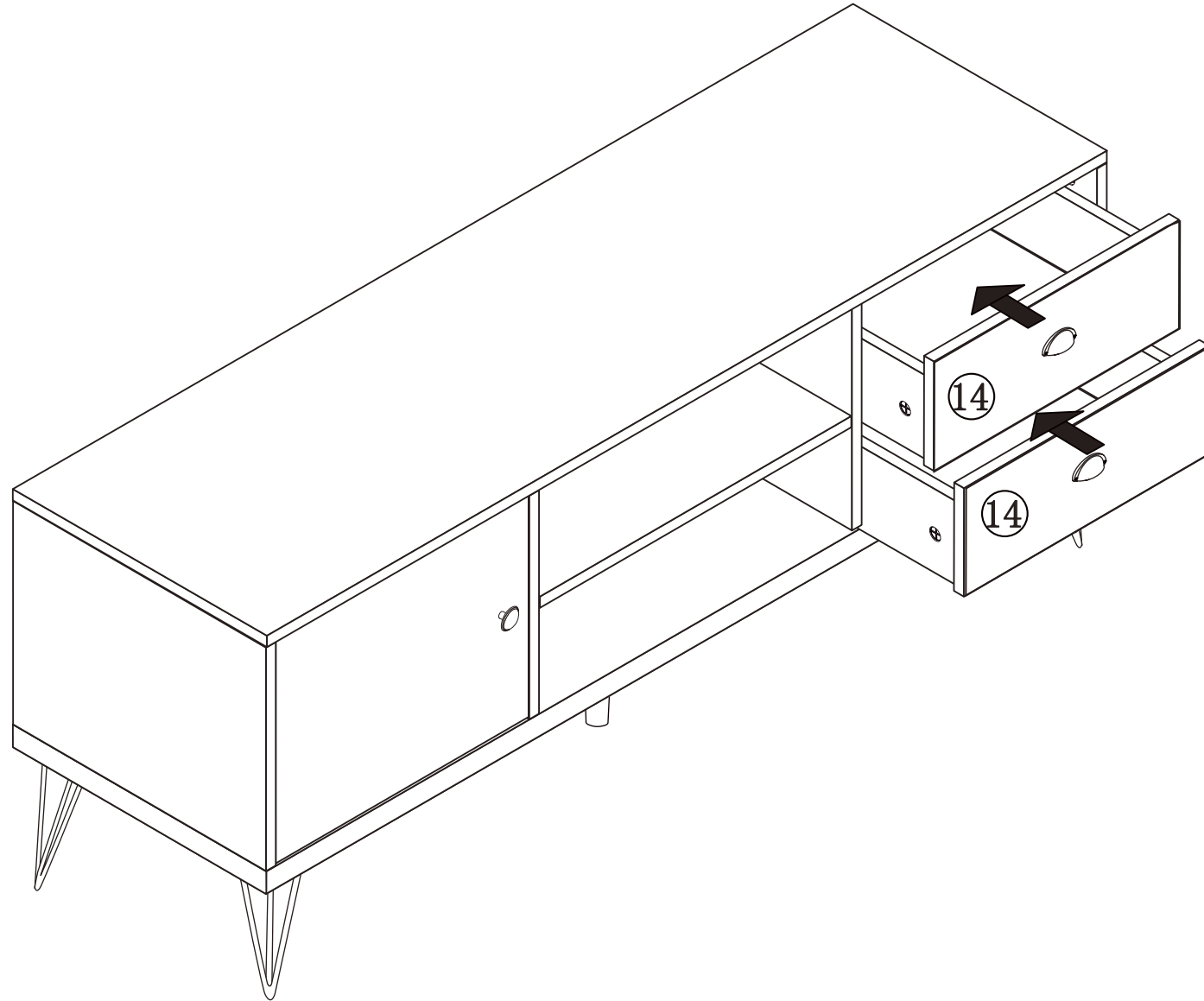


THE USE OF POWER TOOLS TO ASSEMBLE THIS PRODUCT WILL INVALIDATE ANY CLAIM AND MAY DAMAGE THIS PRODUCT MAKING IT UNSAFE

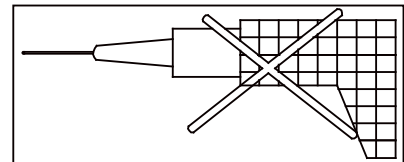


STEP 10

You will need:-

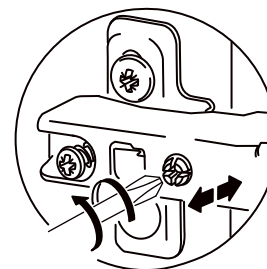
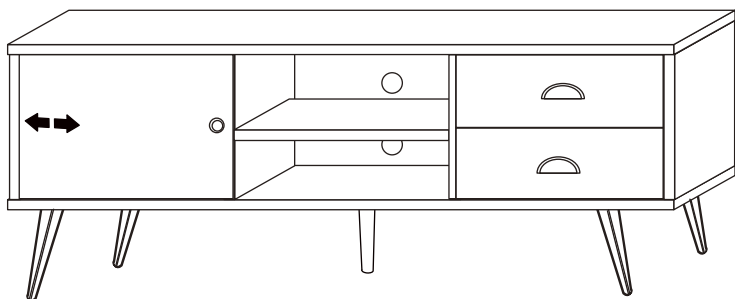
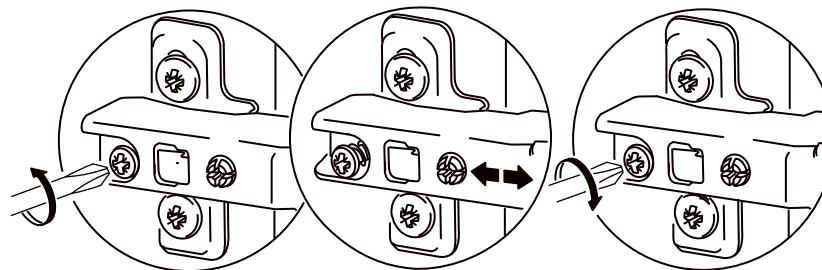
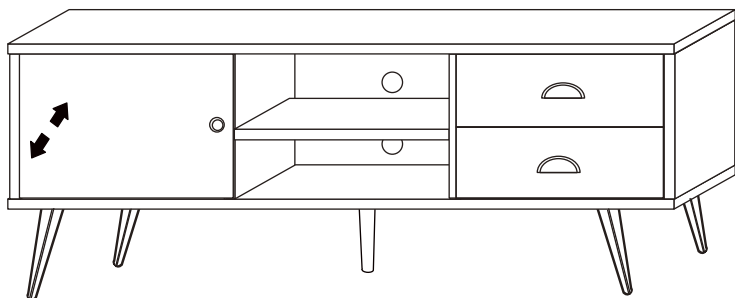
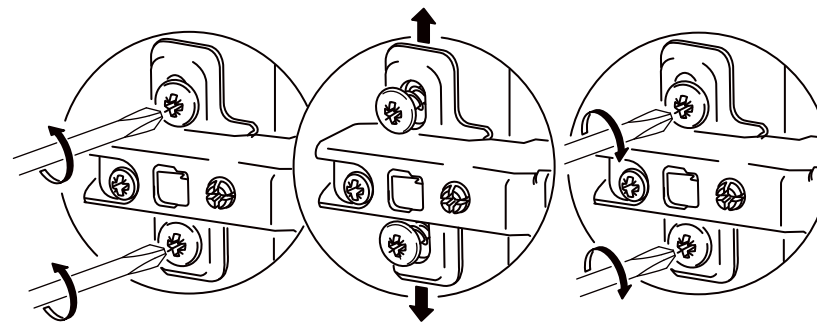
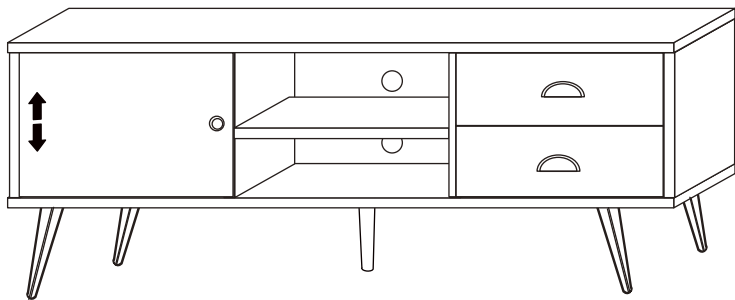


THE USE OF POWER TOOLS TO ASSEMBLE THIS PRODUCT WILL INVALIDATE ANY CLAIM AND MAY DAMAGE THIS PRODUCT MAKING IT UNSAFE



STEP 11

You will need:-



THE USE OF POWER TOOLS TO ASSEMBLE THIS PRODUCT WILL INVALIDATE ANY CLAIM AND MAY DAMAGE THIS PRODUCT MAKING IT UNSAFE

