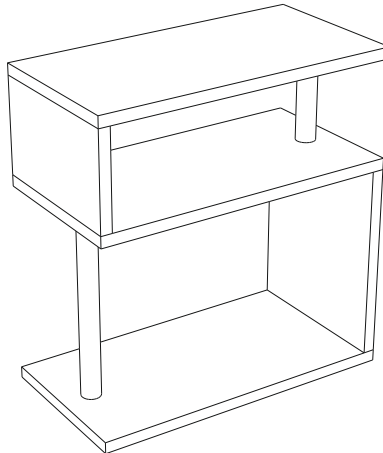


WHITE CHARISMA 3 SHELF UNIT ASSEMBLY INSTRUCTIONS



IMPORTANT FOR DOMESTIC USE ONLY PLEASE READ BEFORE YOU CONTINUE FURTHER

THE PRODUCT YOU HAVE PURCHASED WILL GIVE YOU MANY YEARS OF OF SERVICE. IF YOU FOLLOW THE GUIDELINES FOR ITS SAFE ASSEMBLY AND PERIODIC MAINTENANCE AND CLEANING.

ASSEMBLE ON A SOFT CLEAN SURFACE.

DO NOT USE ANY TOOLS OTHER THAN THOSE SHOWN.

ANY SPANNERS OR ALLEN KEYS REQUIRED ARE INCLUDED WITH THE FITTINGS KIT.

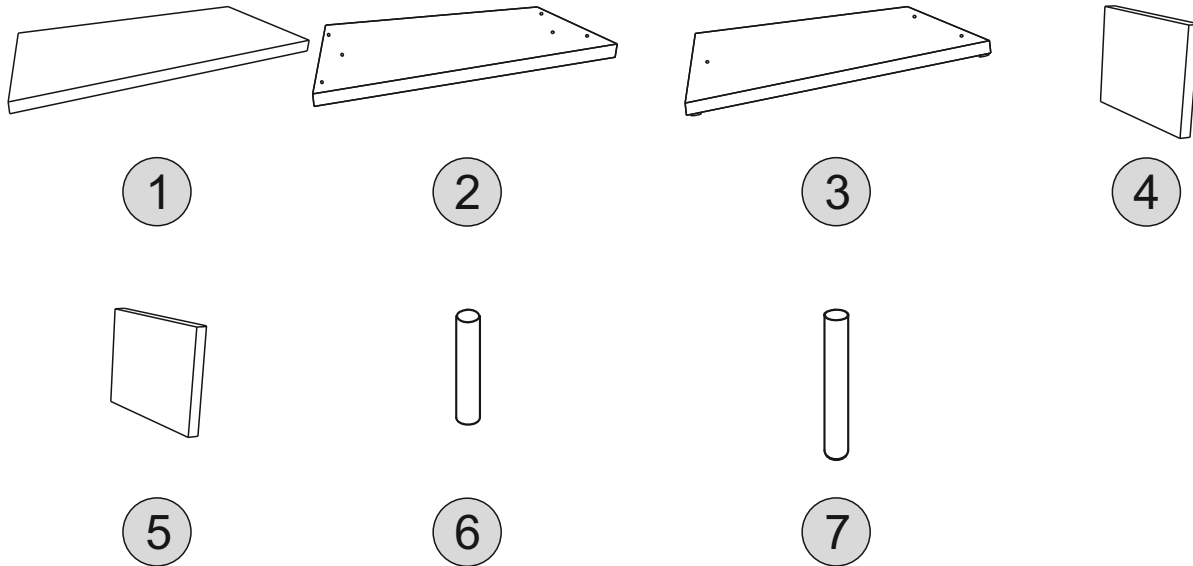
DO NOT FOR ANY REASON USE A POWER TOOL TO ASSEMBLE THIS PRODUCT. ITS USE WILL INVALIDATE ANY CLAIM YOU MAY HAVE AND COULD MAKE THIS PRODUCT UNSAFE.

DEPENDING ON THE AMOUNT OF USE THIS PRODUCT RECIEVES IT MAY BE NECESSARY TO TIGHTEN UP THE FIXINGS FROM TIME TO TIME. THIS IS COMPLETELY NORMAL FOR ANY FLAT PACK FURNITURE. DO NOT OVERTIGHTEN FIXINGS.

DO NOT DRAG FURNITURE AS THIS CAN CAUSE DAMAGE TO THE JOINTS.

DO NOT USE FURNITURE POLISH AS THIS WILL SMEAR THE SURFACE. DO NOT USE LINT OR ABRASIVE CLOTHS AS THESE WILL SCRATCH THE SURFACE. PLEASE USE A DAMP CLOTH (NOT WET) OR A LINT FREE CLOTH (OR MICROFIBRE TYPE CLOTH), AND ENSURE THAT YOU TEST THE CLOTH FIRST ON AN INCONSPICUOUS AREA OF THE FURNITURE BEFORE USE.







THE SURFACE OF THIS ITEM IS NOT HEAT RESISTANT. ALWAYS USE A PLACE MAT UNDER HOT OR COLD ITEMS TO PREVENT MARKING, AND SOFT FELT PADS UNDERNEATH ORNAMENTS.



PARTS LIST

Part Number	Part Code	Part Description	Quantity	Carton
1	S300-306-032-SF1-01	Top Panel	1	1/1
2	S300-306-032-SF1-02	Middle Panel	1	1/1
3	S300-306-032-SF1-03	Bottom Panel	1	1/1
4	S300-306-032-SF1-04	Small Side Panel	1	1/1
5	S300-306-032-SF1-05	Large Side Panel	1	1/1
6	S300-306-032-SF1-06	Small Metal Tube	1	1/1
7	S300-306-032-SF1-07	Large Metal Tube	1	1/1

HARDWARE LIST

REF		HARDWARE NAME	QTY
A		SMALL METAL ROD	3PCS
B		LARGE METAL ROD	3PCS
C		NUT	6PCS
D		METAL WASHER	6PCS
E		WRENCH SOCKET	1PC
F		PLASTIC SPACER	4PCS

PLEASE CHECK THAT YOU HAVE ALL THE PARTS LISTED BEFORE YOU START ASSEMBLING. IF YOU DO FIND THAT SOMETHING IS MISSING, DO NOT CONTINUE ASSEMBLY. PLEASE CONTACT YOUR SUPPLIER IMMEDIATELY.

STEP 1

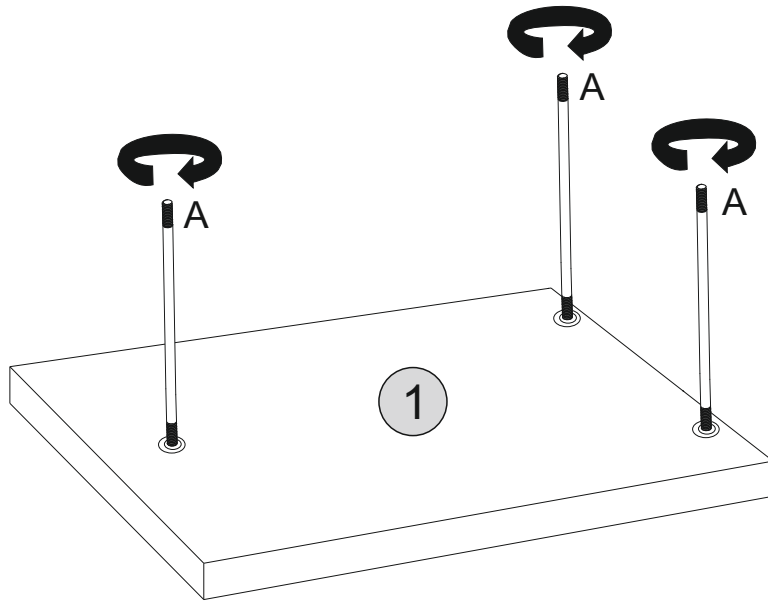
PARTS REQUIRED

1 - TOP PANEL x1

HARDWARE REQUIRED

A  03

TOOLS REQUIRED

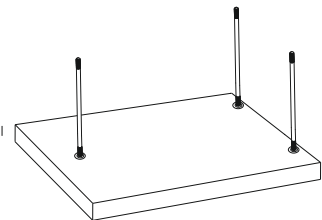


STEP 2

PARTS REQUIRED

4 - SMALL SIDE PANEL x1

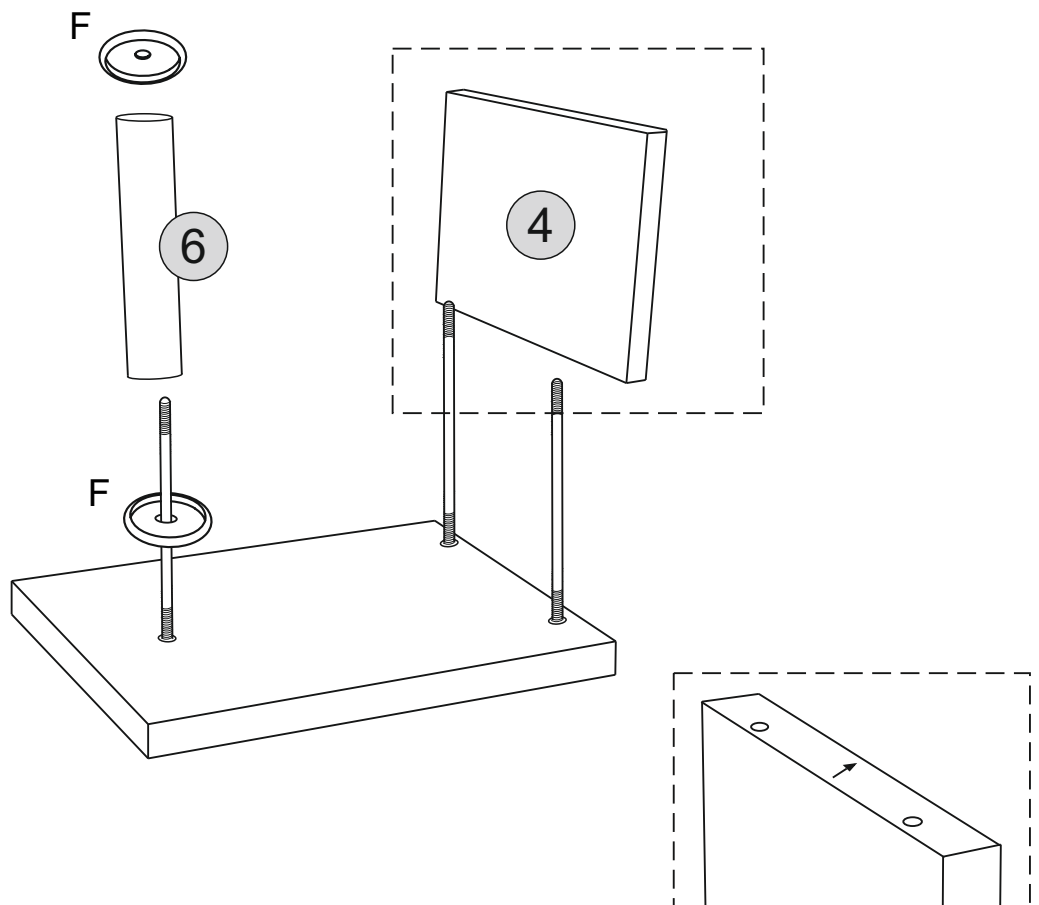
6 - SMALL METAL TUBE x1



HARDWARE REQUIRED

F  02

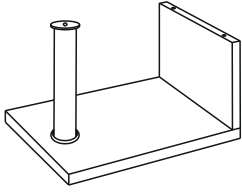
TOOLS REQUIRED



STEP 3


PARTS REQUIRED

2 - MIDDLE PANEL x1

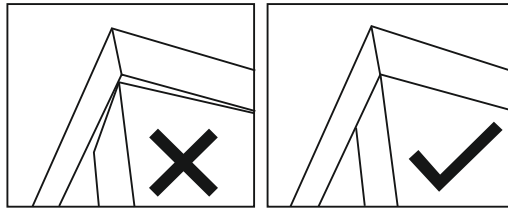
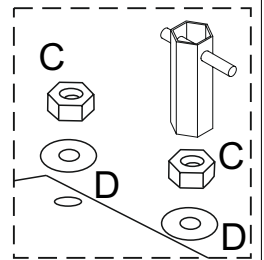
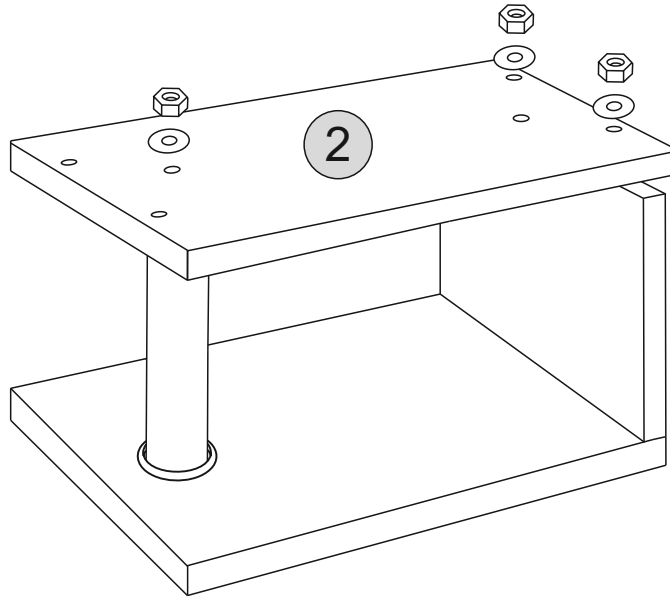
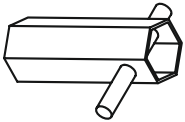


HARDWARE REQUIRED

C  03

D  03

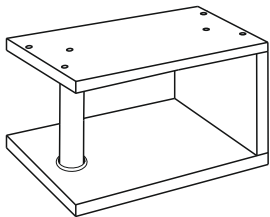
TOOLS REQUIRED




Please make sure the panels are aligned correctly.

STEP 4

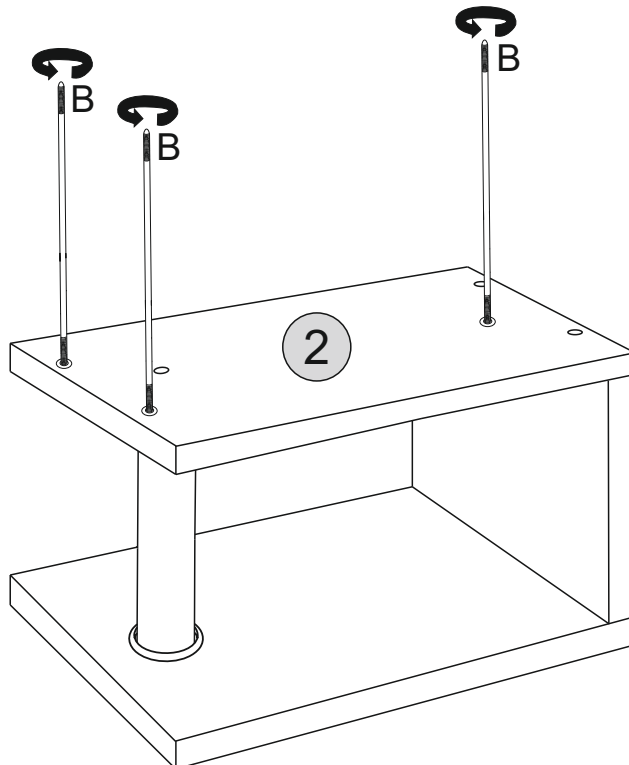
PARTS REQUIRED



HARDWARE REQUIRED

B  03

TOOLS REQUIRED

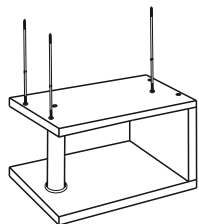


STEP 5

PARTS REQUIRED

5 - LARGE SIDE PANEL x1

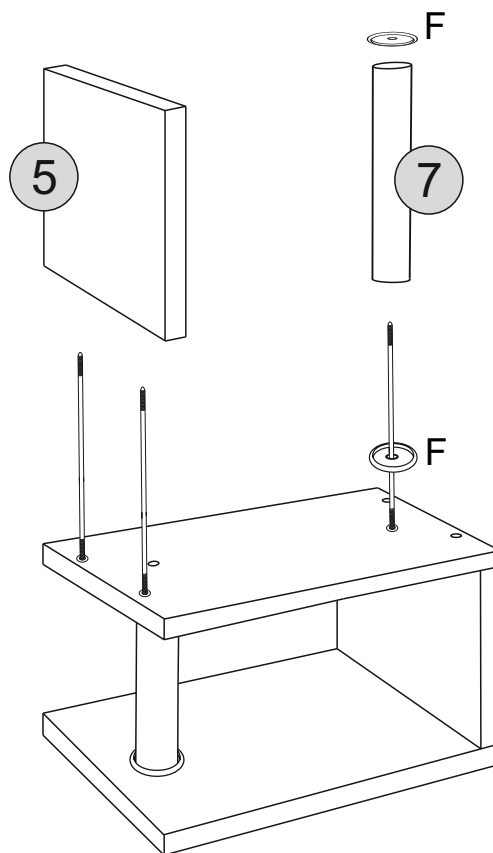
7 - LARGE METAL TUBE x1



HARDWARE REQUIRED

F  02

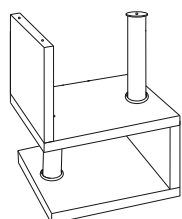
TOOLS REQUIRED



STEP 6

PARTS REQUIRED

3 - BOTTOM PANEL x1

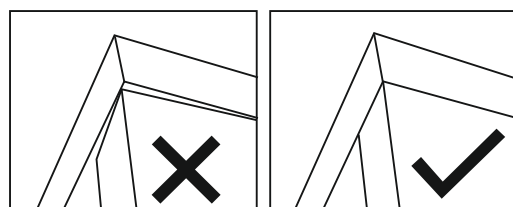
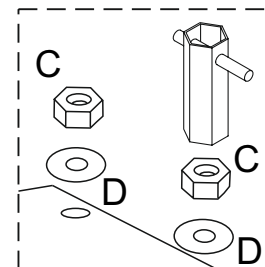
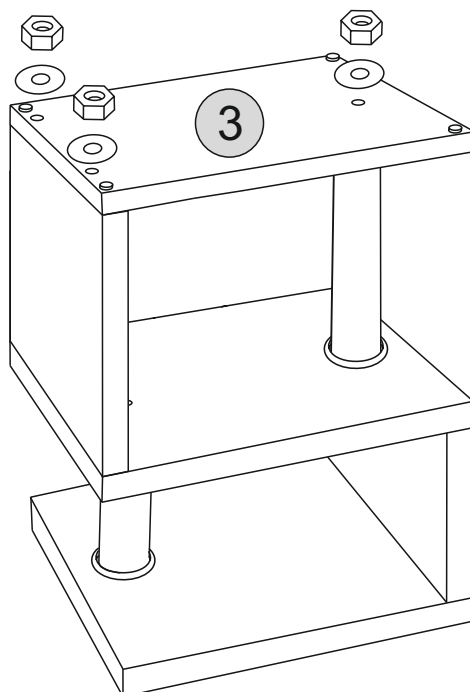
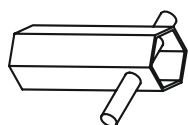


HARDWARE REQUIRED

C  03

D  03

TOOLS REQUIRED



Please make sure the panels are aligned correctly.

