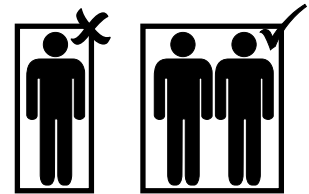
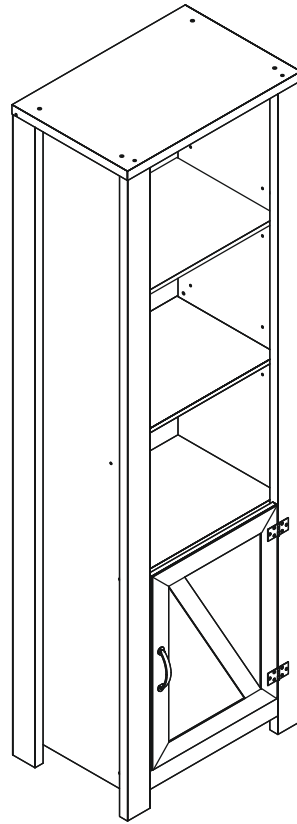


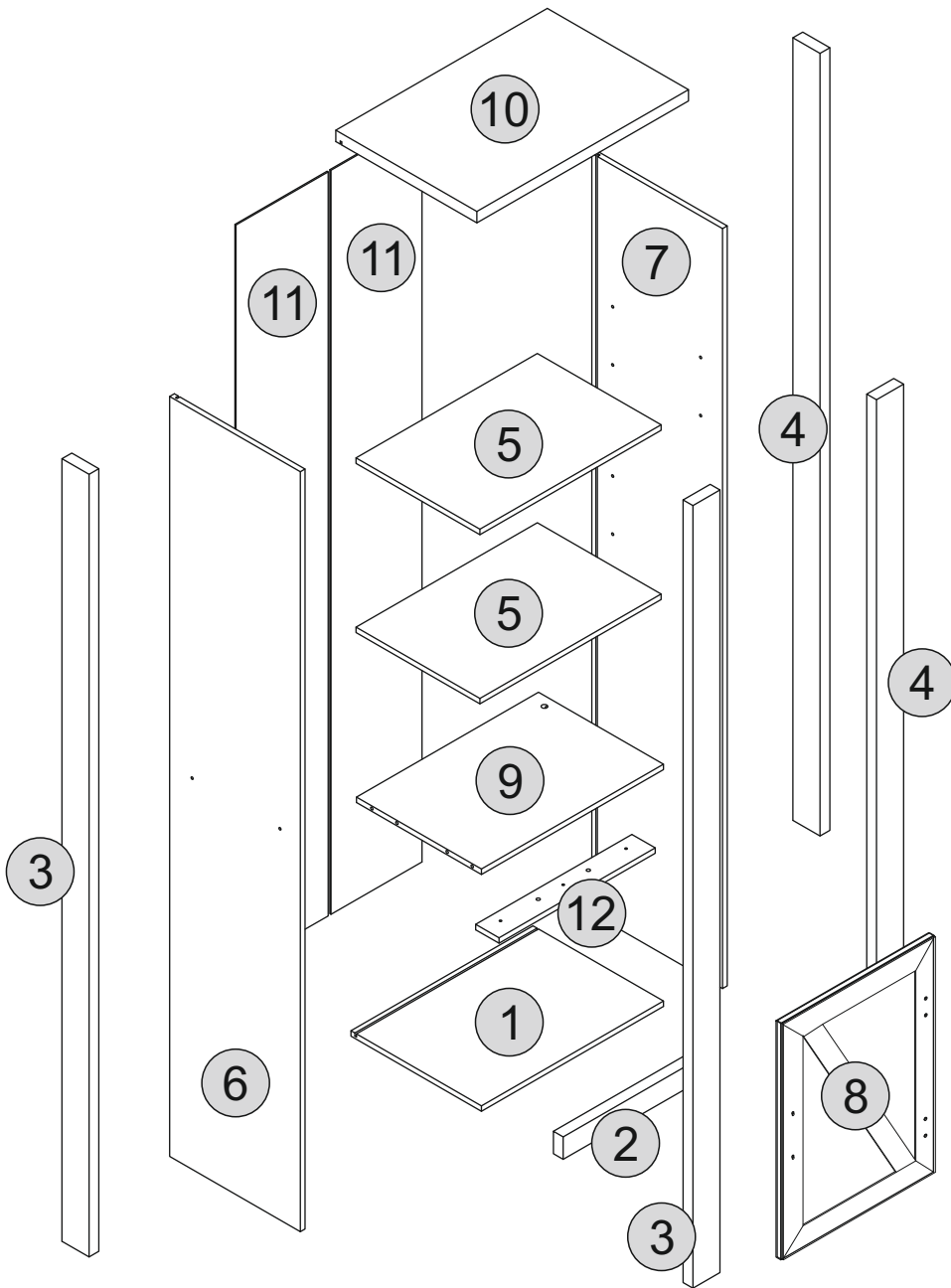
ZURICH 1 DOOR BOOKCASE ASSEMBLY INSTRUCTIONS



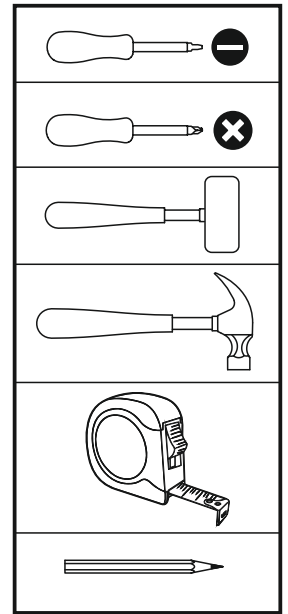
* You should assemble this product
in two people

IMPORTANT **FOR DOMESTIC USE ONLY** **PLEASE READ BEFORE YOU CONTINUE FURTHER** **CARE AND MAINTENANCE**

- After unpacking this product please keep the original packaging in case it needs to be returned for any reason.
- Please ensure all fittings and parts are present before commencing with assembly.
 - Never drag or push products as this could cause damage to the joints making it inferior.
 - We strongly recommend that you keep children away from your work area.
 - We recommend that you lay a blanket or sheet on the floor to avoid damage to both your floor and the product.
 - Assemble this product as close to its final position as possible.
 - Do not place this product next to a radiator or in direct sunlight.
 - Do not drag or push items across your high gloss furniture as this may cause the surface to scratch
 - Wood is a natural product and may expand if subjected to damp and may shrink or crack if subjected to heat. Therefore it is recommended that room temperature is maintained, with no sudden temperature fluctuations.
 - Make sure any spillage is wiped off immediately.
 - Do not place hot or chilled items directly on to the surface, use a place mat or marking will occur.
 - For general cleaning use a soft cotton or micro fibre cloth, and do not use detergents of any kind.
 - From time to time it may be necessary to tighten fittings, regular inspections should be carried out.
 - Do not place on a wet or damp floor as staining may occur to your floor.



TOOLS REQUIRED



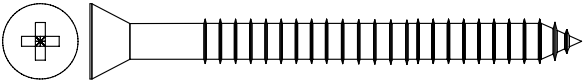
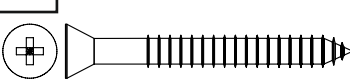
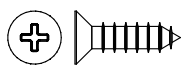
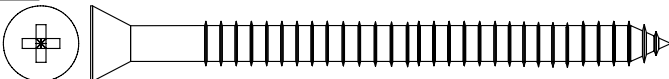
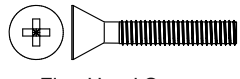
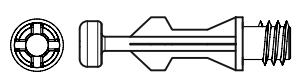
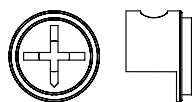


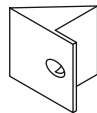
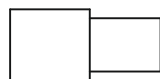
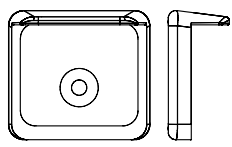
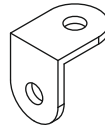

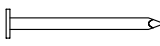
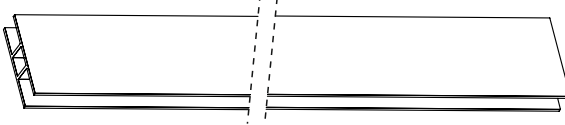
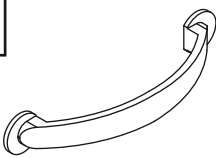
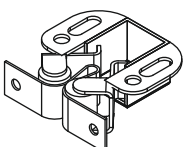
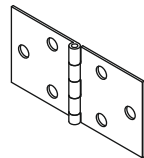


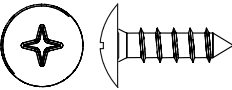
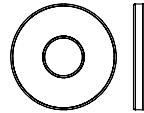
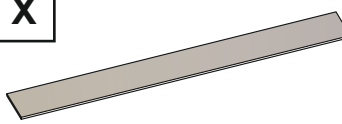
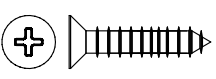
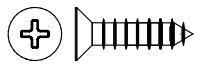
PARTS LIST

Please Note:

The below parts have all been stamped with the part number to help identify them during assembly

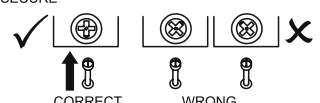
Part Number	Part Code	Part Description	Quantity	Carton
1	S300-306-039-CM1-01	Base Panel	1	1/1
2	S300-306-039-CM1-02	Front Crossbar	1	1/1
3	S300-306-039-CM1-03	Left Leg	2	1/1
4	S300-306-039-CM1-04	Right Leg	2	1/1
5	S300-306-039-CM1-05	Adjustable Shelf	2	1/1
6	S300-306-039-CM1-06	Left Side Panel	1	1/1
7	S300-306-039-CM1-07	Right Side Panel	1	1/1
8	S300-306-039-CM1-08	Door	1	1/1
9	S300-306-039-CM1-09	Shelf	1	1/1
10	S300-306-039-CM1-10	Top Panel	1	1/1
11	S300-306-039-CM1-11	Back Panel	2	1/1
12	S300-306-039-CM1-12	Support	1	1/1

FITTINGS LIST

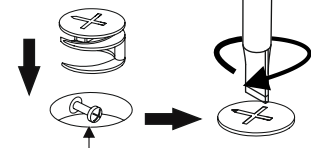
<p>A</p>  <p>Flat Head Screw Ø4,0 x 50mm (8x)</p> <p>1/+</p>	<p>B</p>  <p>Flat Head Screw Ø4,0 x 30mm (8x)</p> <p>1/+</p>	<p>C</p>  <p>Flat Head Screw Ø3,5 x 12mm (24x)</p> <p>2/+</p>	
<p>D</p>  <p>Flat Head Screw Ø4,0 x 60mm (6x)</p> <p>1/+</p>	<p>E</p>  <p>Flan Head Screw Ø4,0 x 20mm (2x)</p> <p>1/+</p>	<p>F</p>  <p>Cam Bolt (8x)</p> <p>1/+</p>	
<p>G</p>  <p>Cam Nut 12mm (8x)</p> <p>1/+</p>	<p>H</p>  <p>Cylindrical Nut 12mm (8x)</p> <p>1/+</p>	<p>I</p>  <p>Dowel Ø6,0 x 30mm (20x)</p> <p>2/+</p>	<p>J</p>  <p>Triangular Support (16x)</p> <p>2/+</p>
<p>K</p>  <p>Shelf Support (10x)</p> <p>2/+</p>	<p>L</p>  <p>Plastic Foot (4x)</p> <p>1/+</p>	<p>M</p>  <p>Metalic Support (2x)</p> <p>1/+</p>	<p>N</p>  <p>Metalic Bracket (2x)</p> <p>1/+</p>
<p>O</p>  <p>Nail 8 x 8 (12x)</p> <p>2/+</p>	<p>P</p>  <p>Back Panel Strip 1625mm (1x)</p>	<p>Q</p>  <p>Handle (1x)</p>	
<p>R</p>  <p>Lock (1x)</p>	<p>S</p>  <p>Hinge (2x)</p>	<p>T</p>  <p>Glue (2x)</p>	<p>U</p>  <p>Hole Plugs (19x)</p> <p>2/+</p>
<p>V</p>  <p>Pot Head Screw Ø3,5 x 25mm (1x)</p> <p>1/+</p>	<p>W</p>  <p>Washer (1x)</p> <p>1/+</p>	<p>X</p>  <p>Strap 200mm (1x)</p>	<p>Y</p>  <p>Flat Head Screw Ø3,5 x 22mm (3x)</p> <p>1/+</p>
			<p>Z</p>  <p>Flat Head Screw Ø3,5 x 16mm (16x)</p> <p>2/+</p>

TIPS FOR FITTINGS CAM-LOCKS

WHEN FITTING CAM NUT, ENSURE STARTING POSITION IS CORRECT BEFORE YOU INSERT. CONNECTING CAM BOLT TURN CLOCKWISE UNTIL SECURE

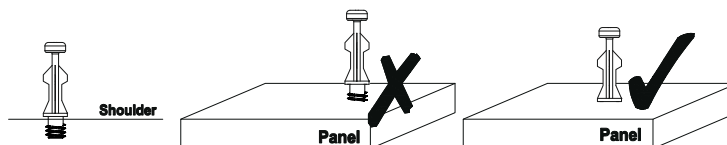


CORRECT WRONG



Cam bolt head needs to be in centre

CAMBOLT
Tighten until shoulder in flush with panel. Do not overtighten or undertighten (see example beside)




STEP 1

PARTS REQUIRED

6 - LEFT SIDE PANEL x1

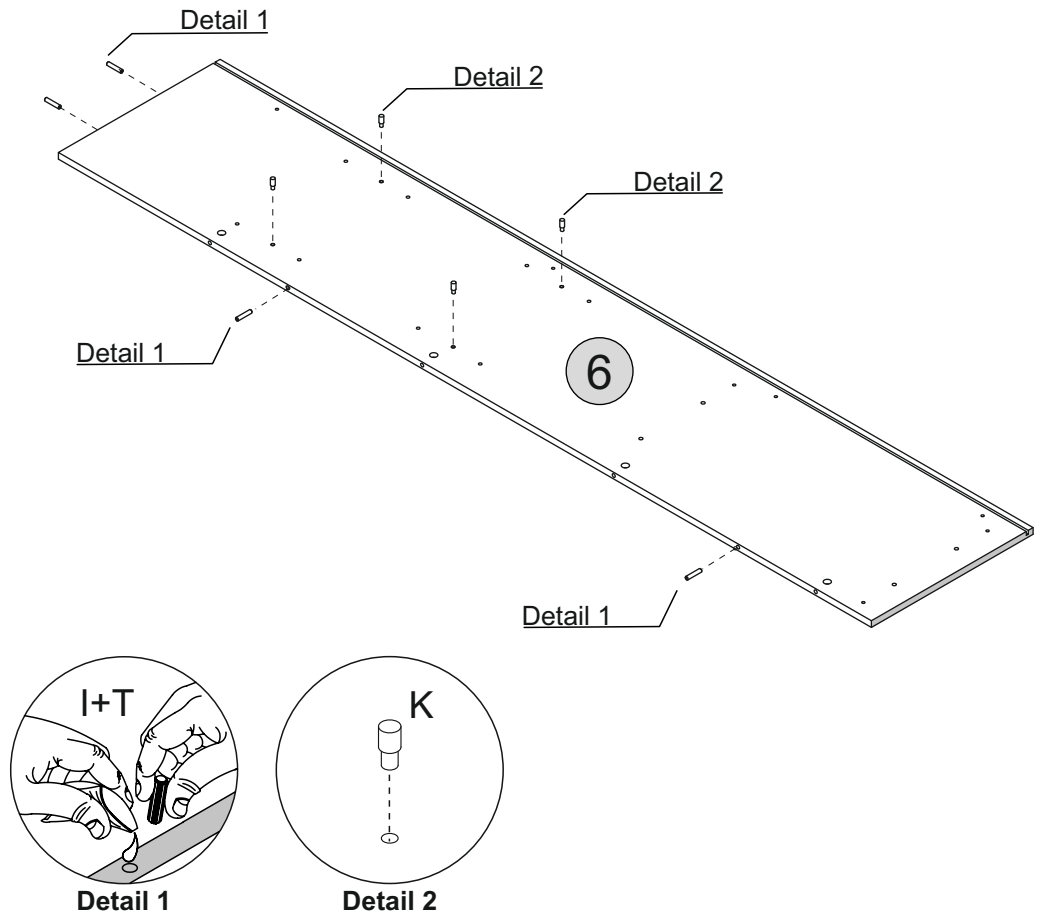
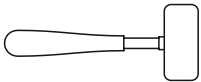
HARDWARE REQUIRED

I  04
Ø6,0 x 30mm

K  04

T  01

TOOLS REQUIRED





STEP 2

PARTS REQUIRED

7 - RIGHT SIDE PANEL x1

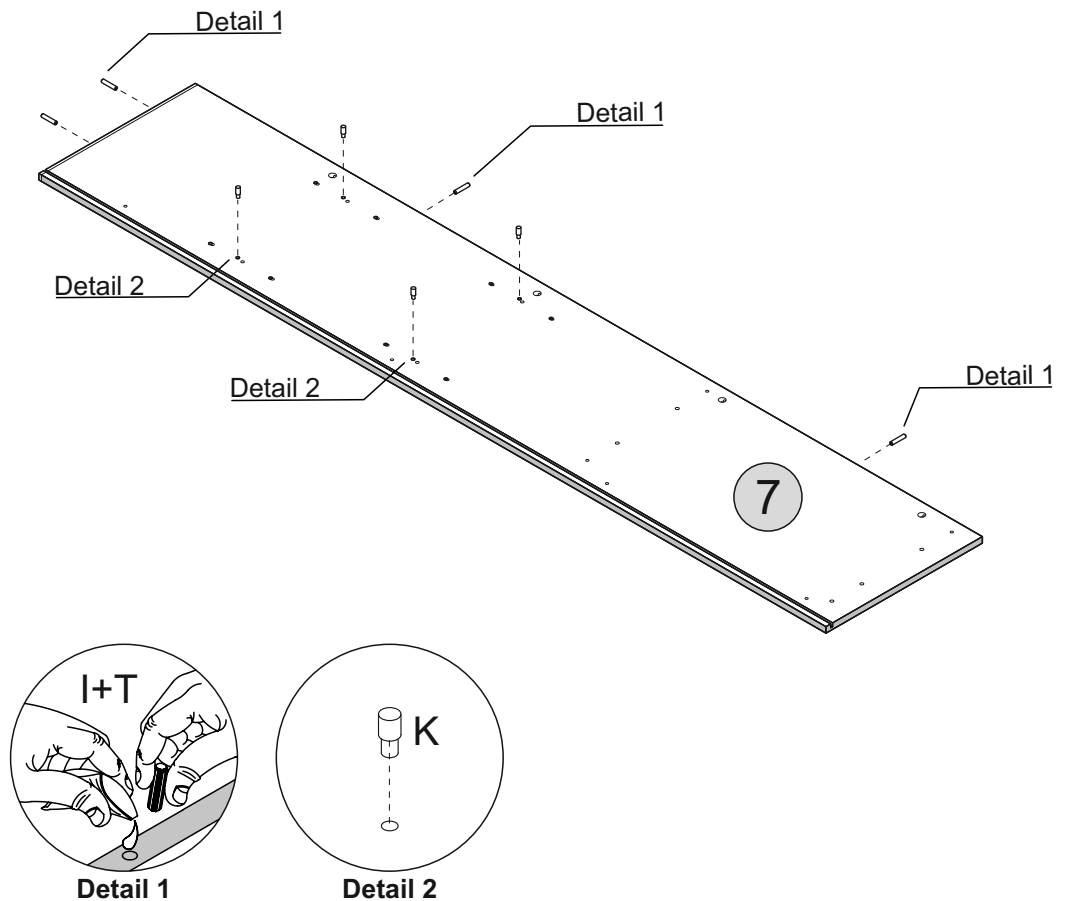
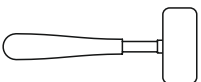
HARDWARE REQUIRED

I  04
Ø6,0 x 30mm

K  04

T  01

TOOLS REQUIRED






STEP 3

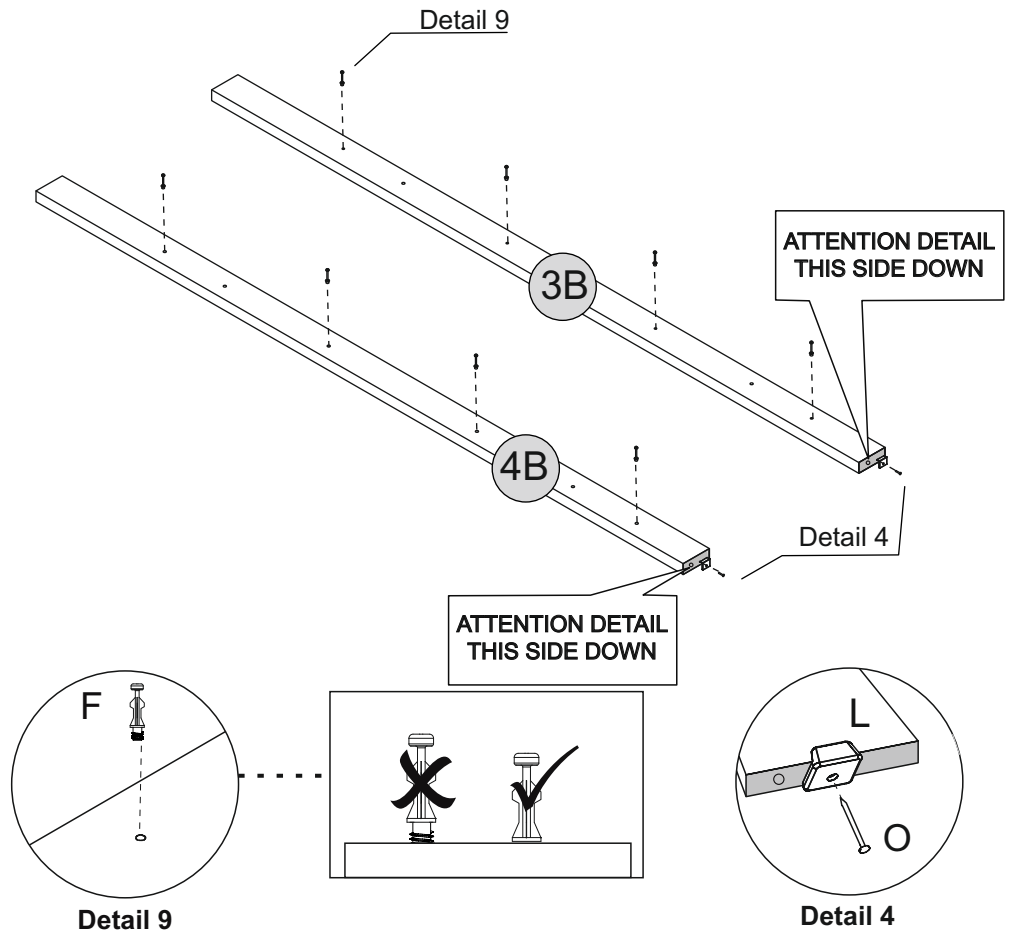
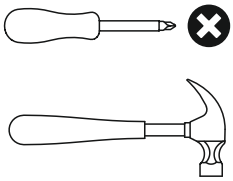
PARTS REQUIRED

3 - LEFT LEG	x1
4 - RIGHT LEG	x1

HARDWARE REQUIRED

F		08
L		02
O		02

TOOLS REQUIRED




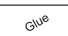


STEP 4

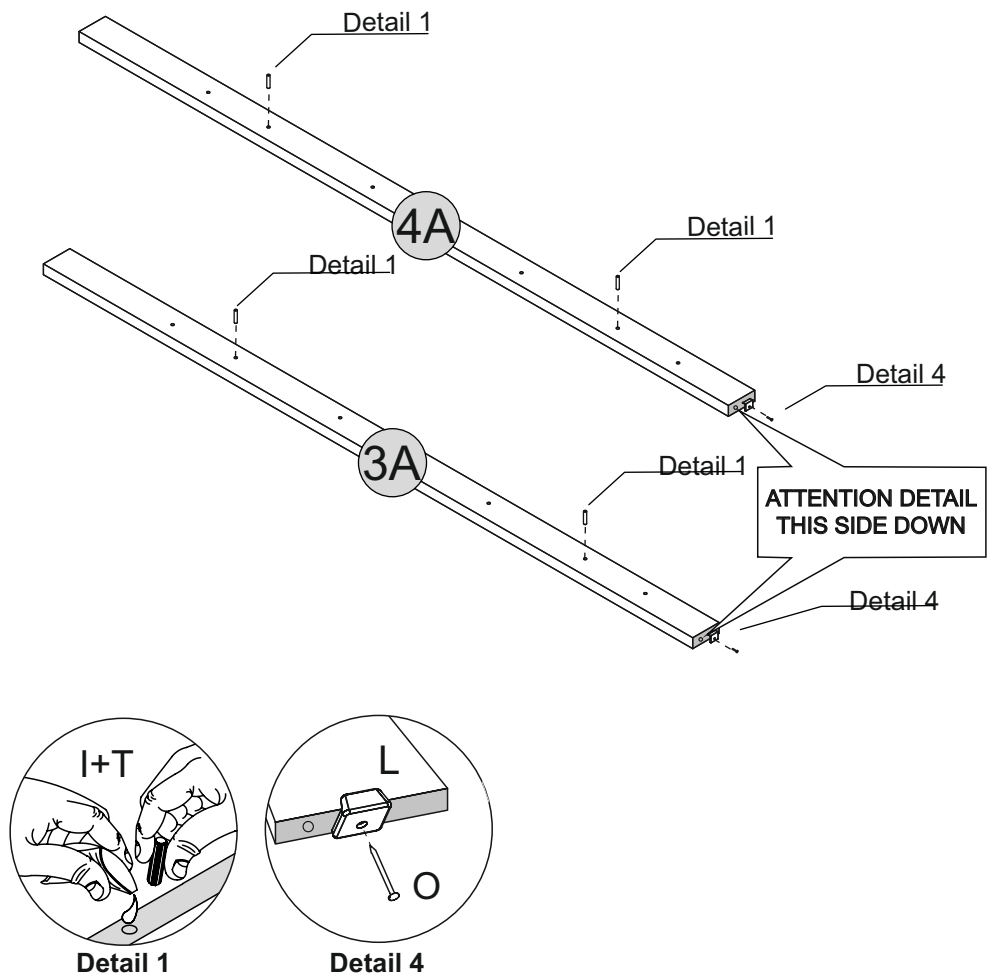
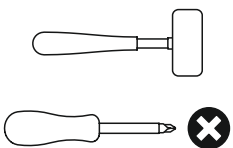
PARTS REQUIRED

3 - LEFT LEG	x1
4 - RIGHT LEG	x1

HARDWARE REQUIRED

I	 Ø6,0 x 30mm	04
L		02
O		02
T		01

TOOLS REQUIRED

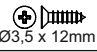


STEP 5

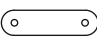
PARTS REQUIRED

2 - FRONT CROSSBAR x1

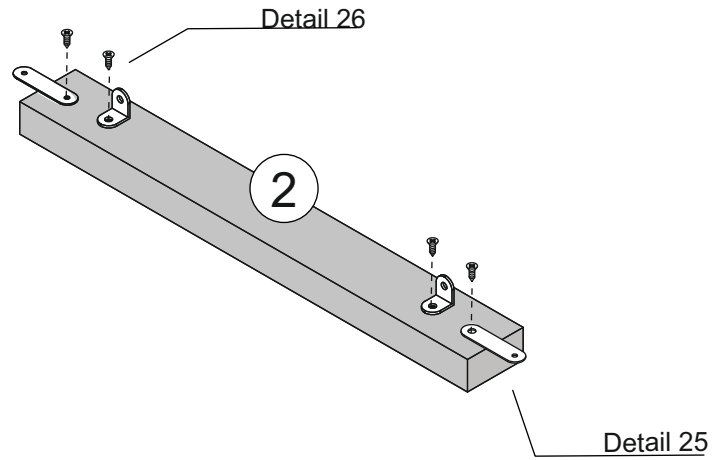
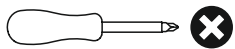
HARDWARE REQUIRED

C  04
Ø3,5 x 12mm

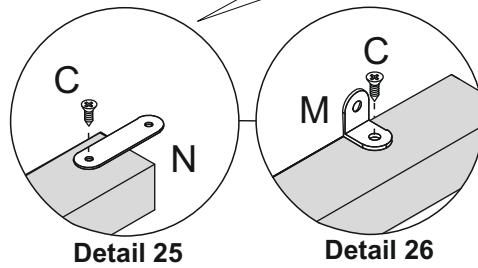
M  02

N  02

TOOLS REQUIRED



PLEASE NOTE
PRE-DRILLED
HOLES.



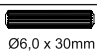
STEP 6


PARTS REQUIRED

1 - BASE PANEL x1

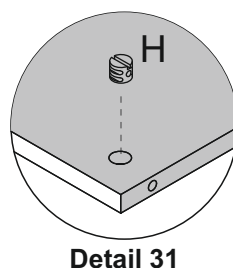
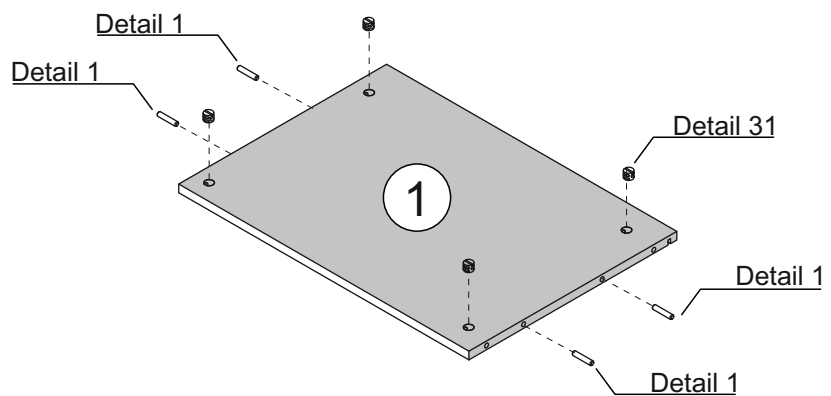
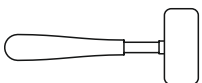
HARDWARE REQUIRED

H  04

I  04
Ø6,0 x 30mm

T  01
Glue

TOOLS REQUIRED




STEP 7

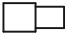
PARTS REQUIRED

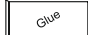
9 - SHELF x1

HARDWARE REQUIRED

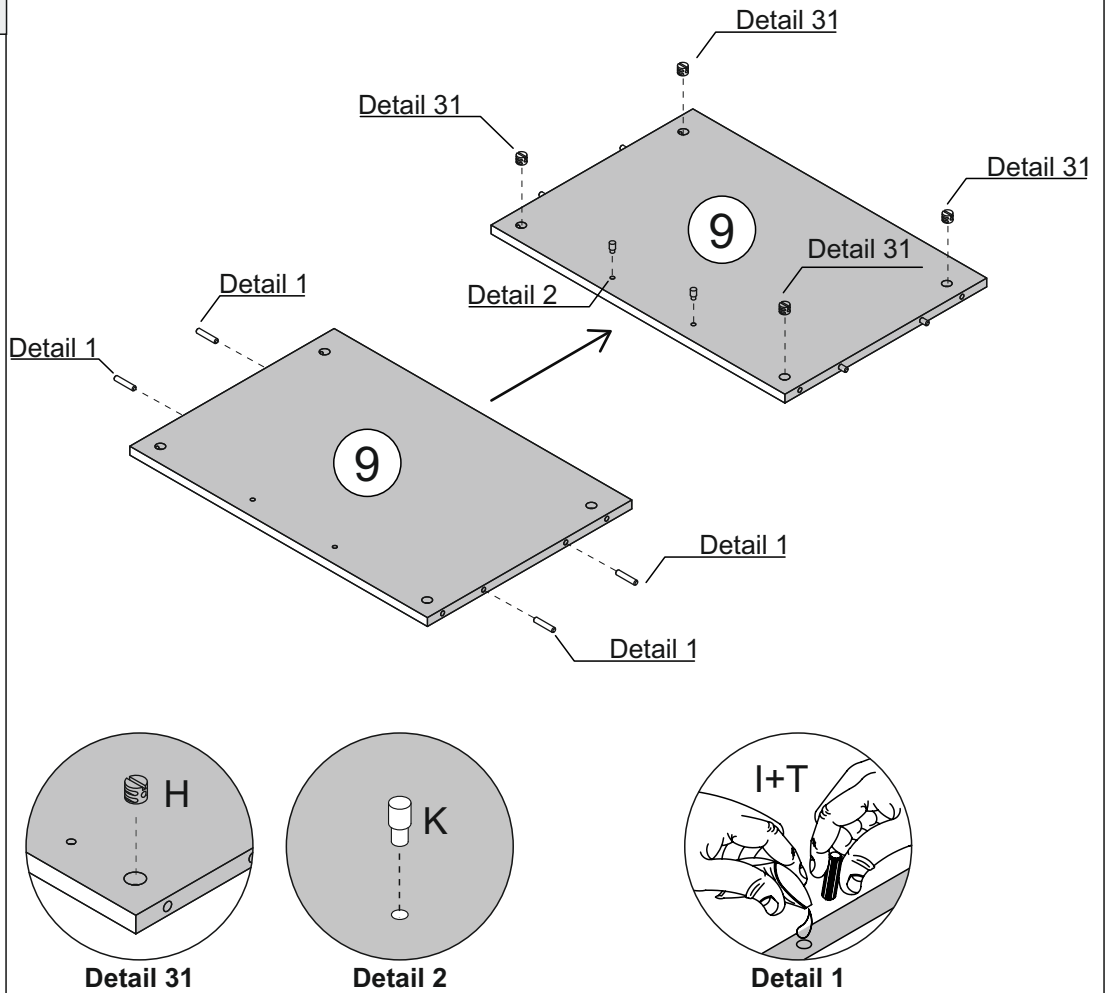
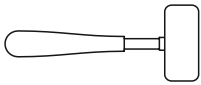
H  04

I  04
Ø6,0 x 30mm

K  02

T  01

TOOLS REQUIRED



STEP 8

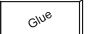
PARTS REQUIRED

4 - RIGHT LEG x1

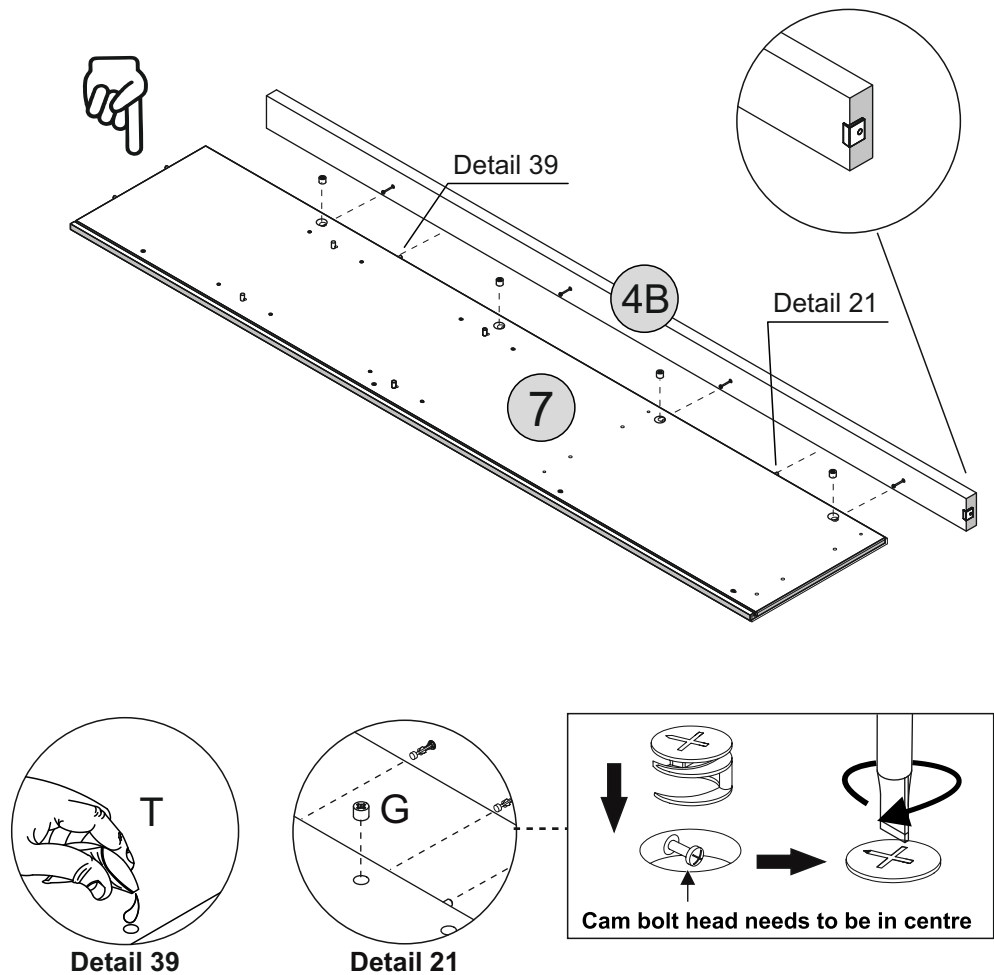
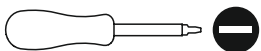
7- RIGHT SIDE PANEL x1

HARDWARE REQUIRED

G  04

T  01

TOOLS REQUIRED



STEP 9

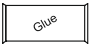
PARTS REQUIRED

3 - LEFT LEG x1

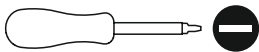
6 - LEFT SIDE PANEL x1

HARDWARE REQUIRED

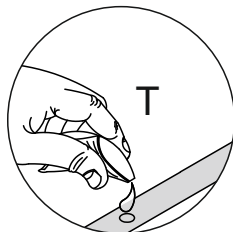
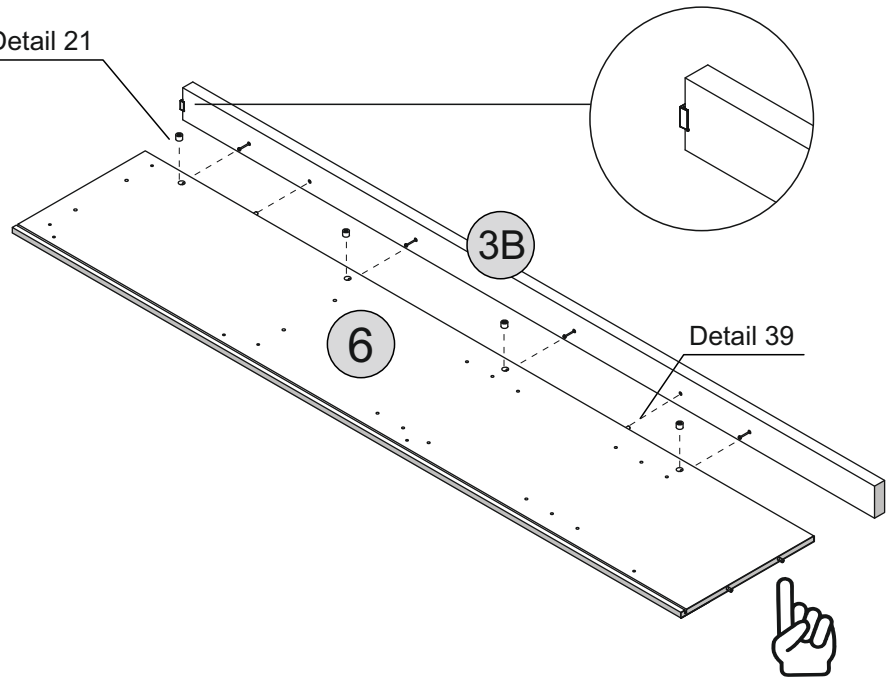
G  04

T  01

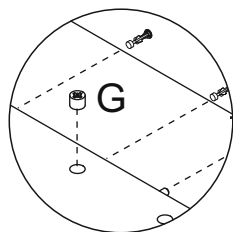
TOOLS REQUIRED



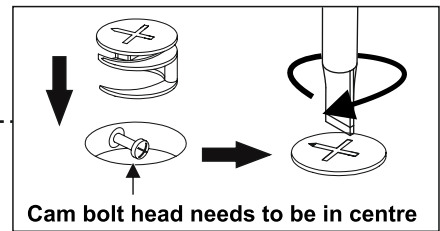
Detail 21



Detail 39



Detail 21



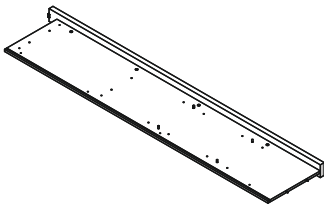
Cam bolt head needs to be in centre

STEP 10

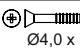
PARTS REQUIRED

1 - BASE PANEL x1

9 - RIGHT SIDE PANEL x1

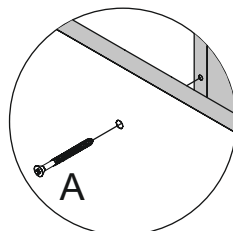
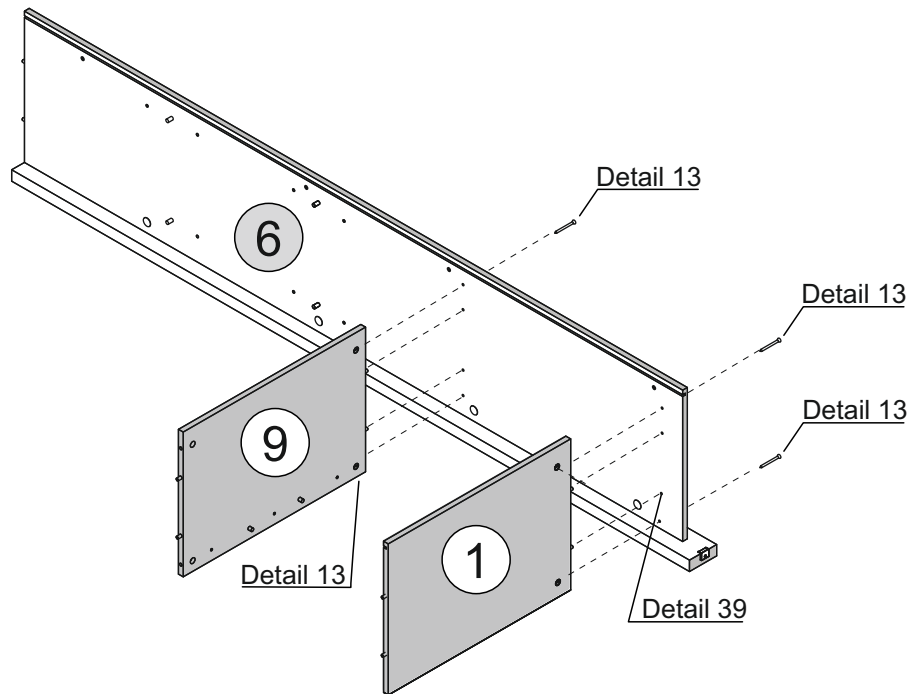
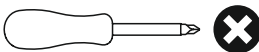


HARDWARE REQUIRED

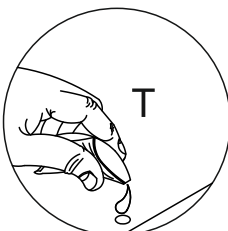
A  04
Ø4,0 x 50mm

T  01

TOOLS REQUIRED



Detail 13

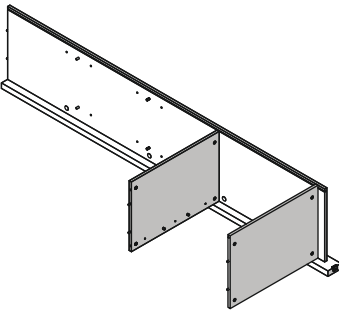


Detail 39


STEP 11

PARTS REQUIRED

7 - RIGHT SIDE PANEL x1

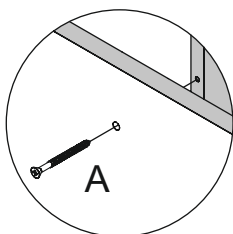
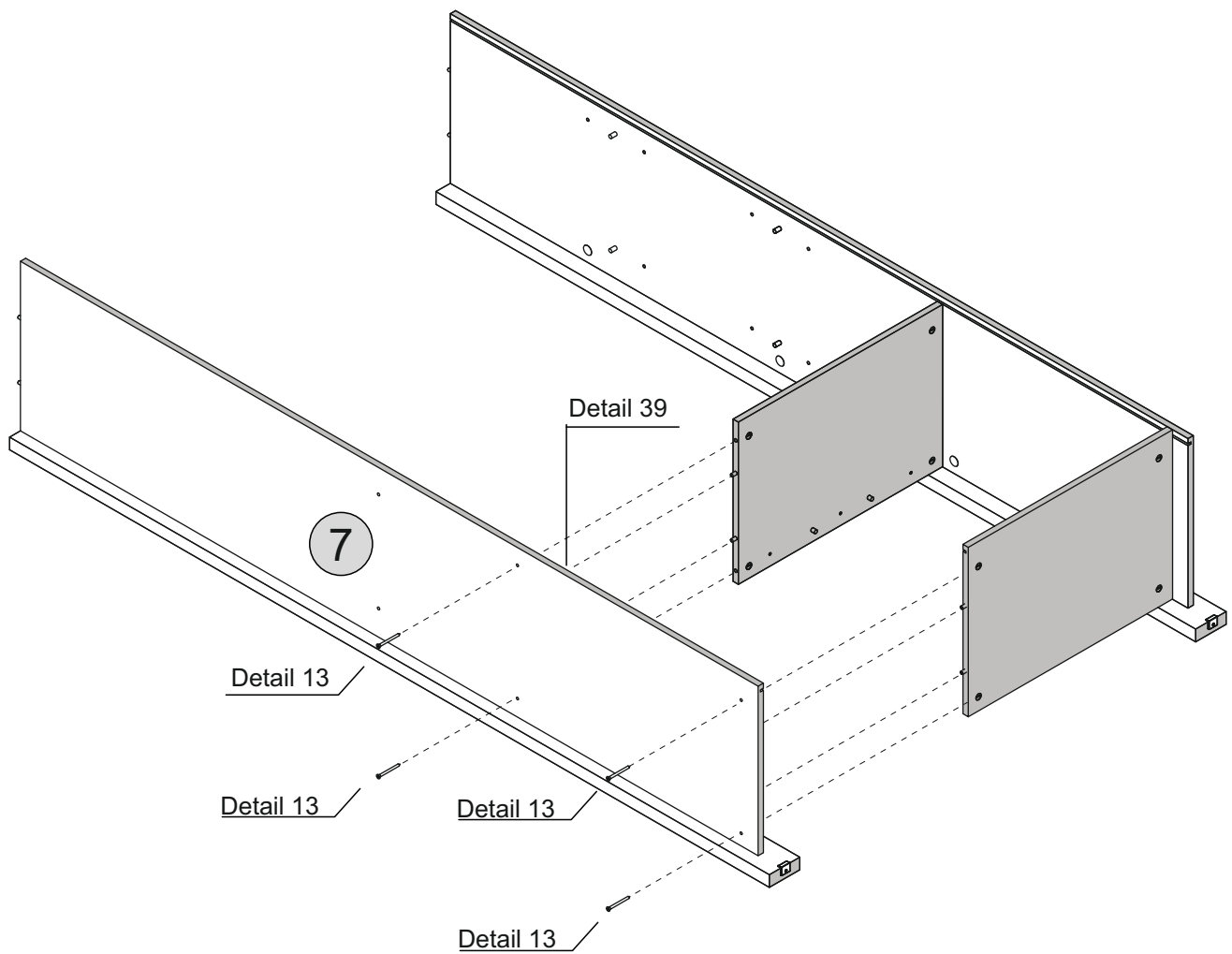
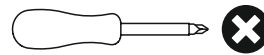


HARDWARE REQUIRED

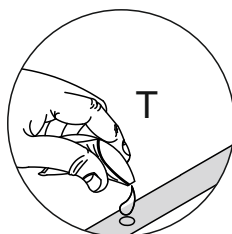
A  Ø4,0 x 50mm 04

T  01

TOOLS REQUIRED



Detail 13



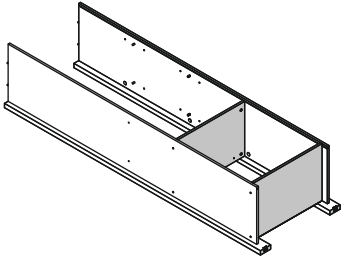
Detail 39

STEP 12

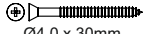
PARTS REQUIRED

3 - LEFT LEG x1

4 - RIGHT LEG x1

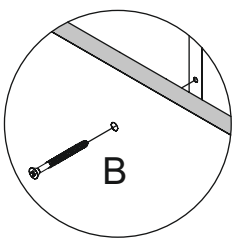
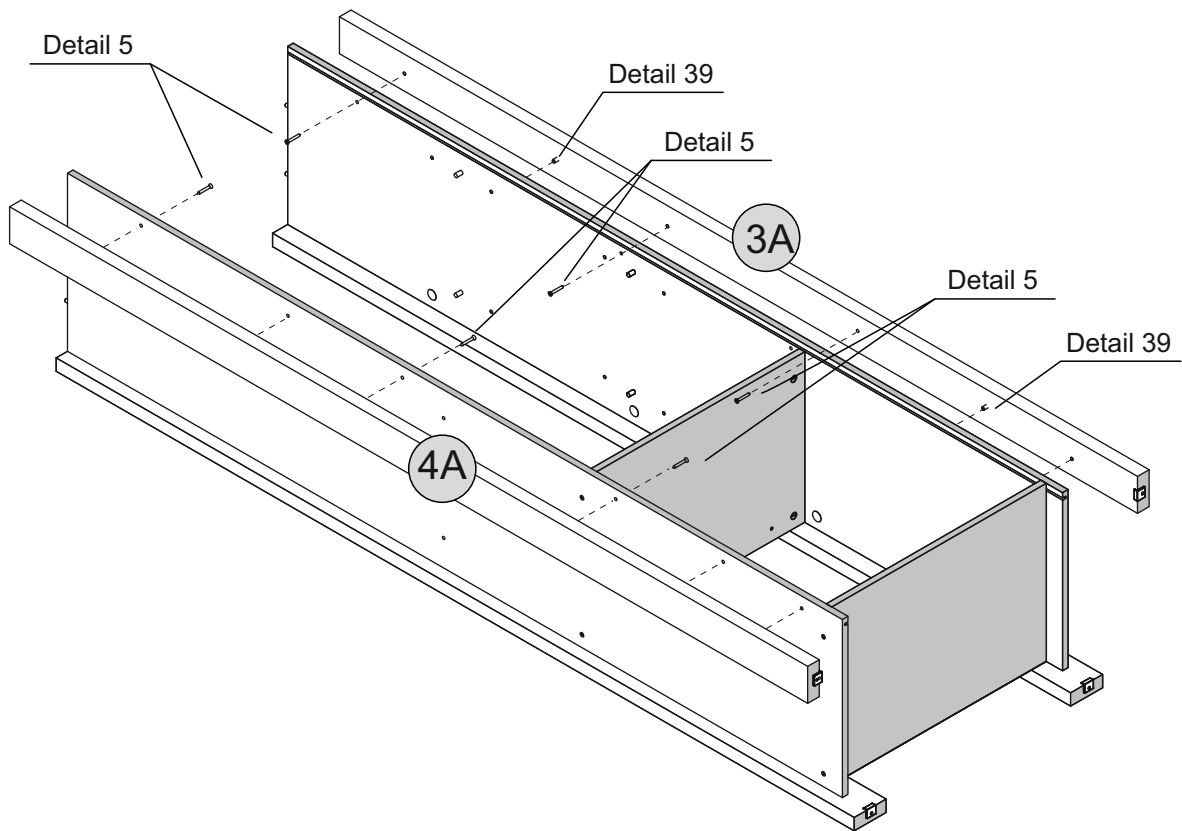
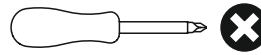


HARDWARE REQUIRED

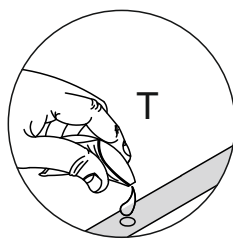
B  08
Ø4,0 x 30mm

T  01

TOOLS REQUIRED



Detail 5



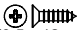
Detail 39

STEP 13

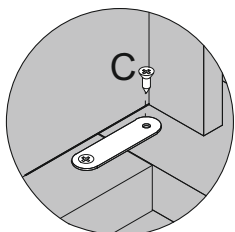
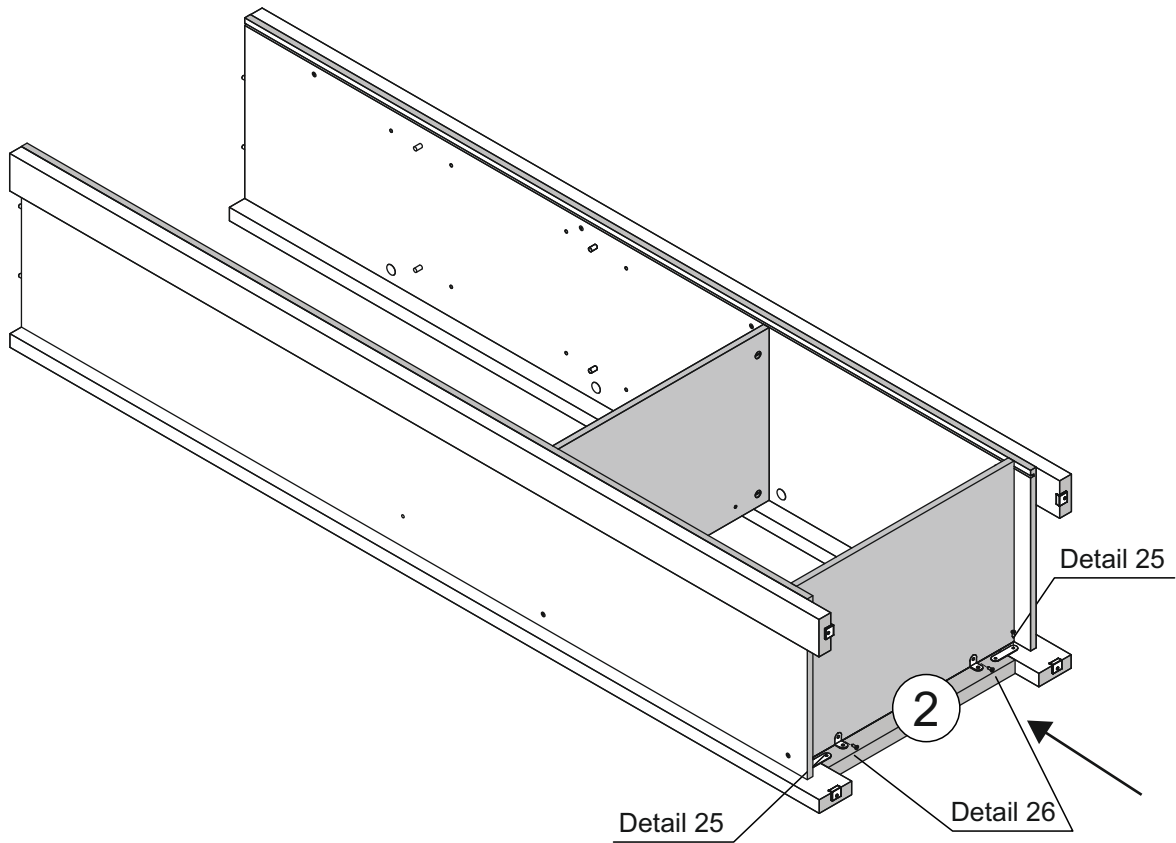
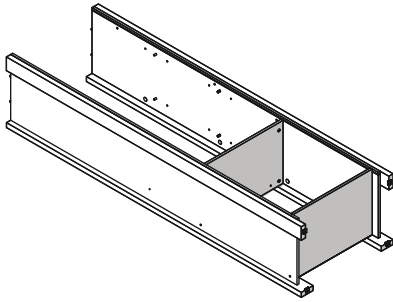
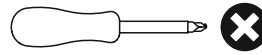
PARTS REQUIRED

2 - FRONT CROSSBAR x1

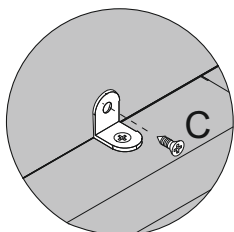
HARDWARE REQUIRED

C  04
Ø3,5 x 12mm

TOOLS REQUIRED



Detail 25



Detail 26

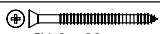
STEP 14

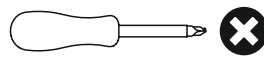
PARTS REQUIRED


HARDWARE REQUIRED

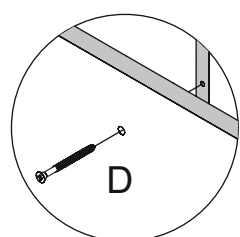
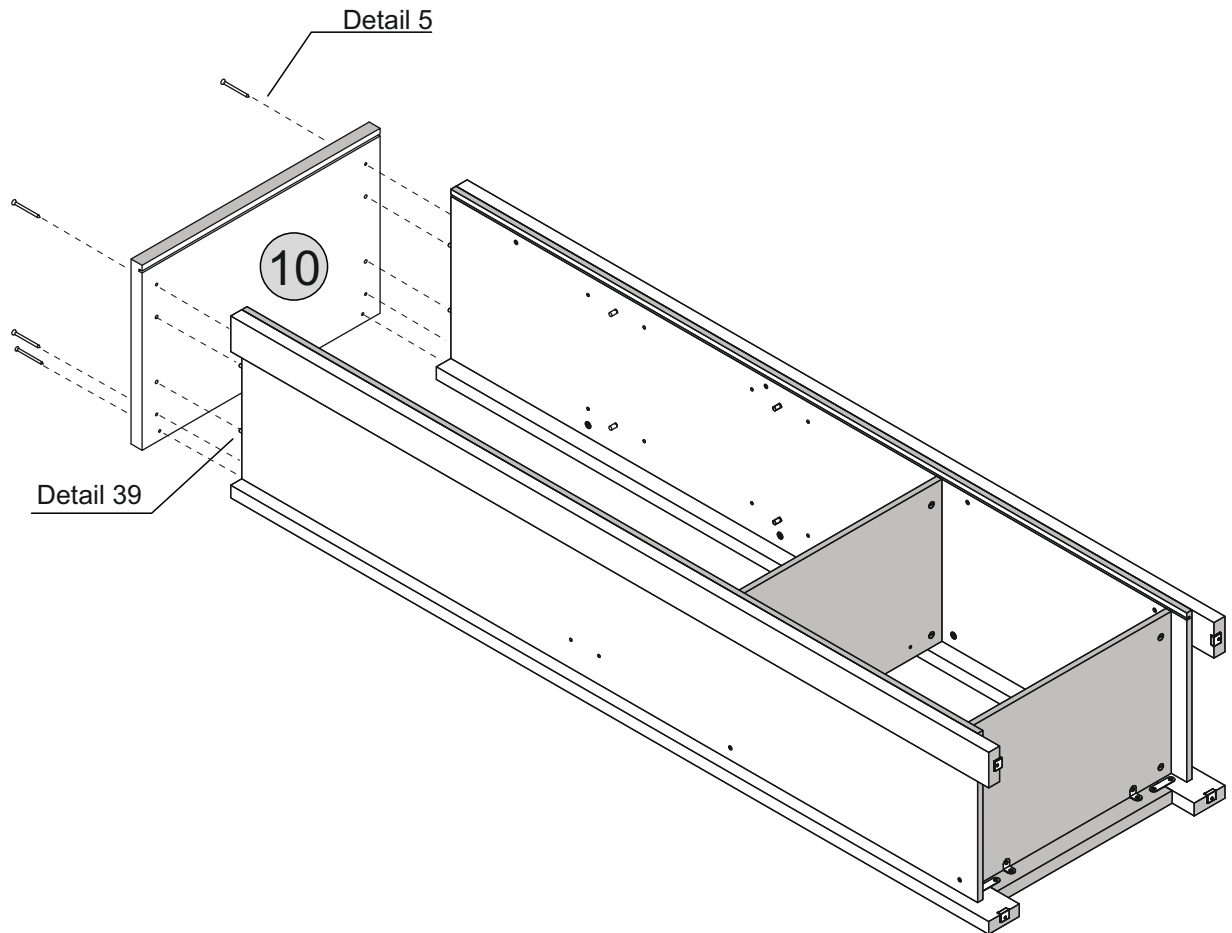
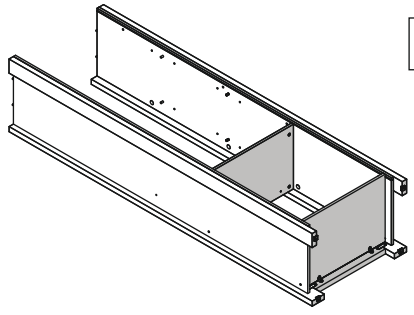
TOOLS REQUIRED

10 - TOP PANEL x1

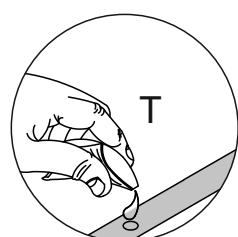
D  06
Ø4,0 x 60mm



T  01



Detail 5



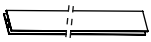
Detail 39

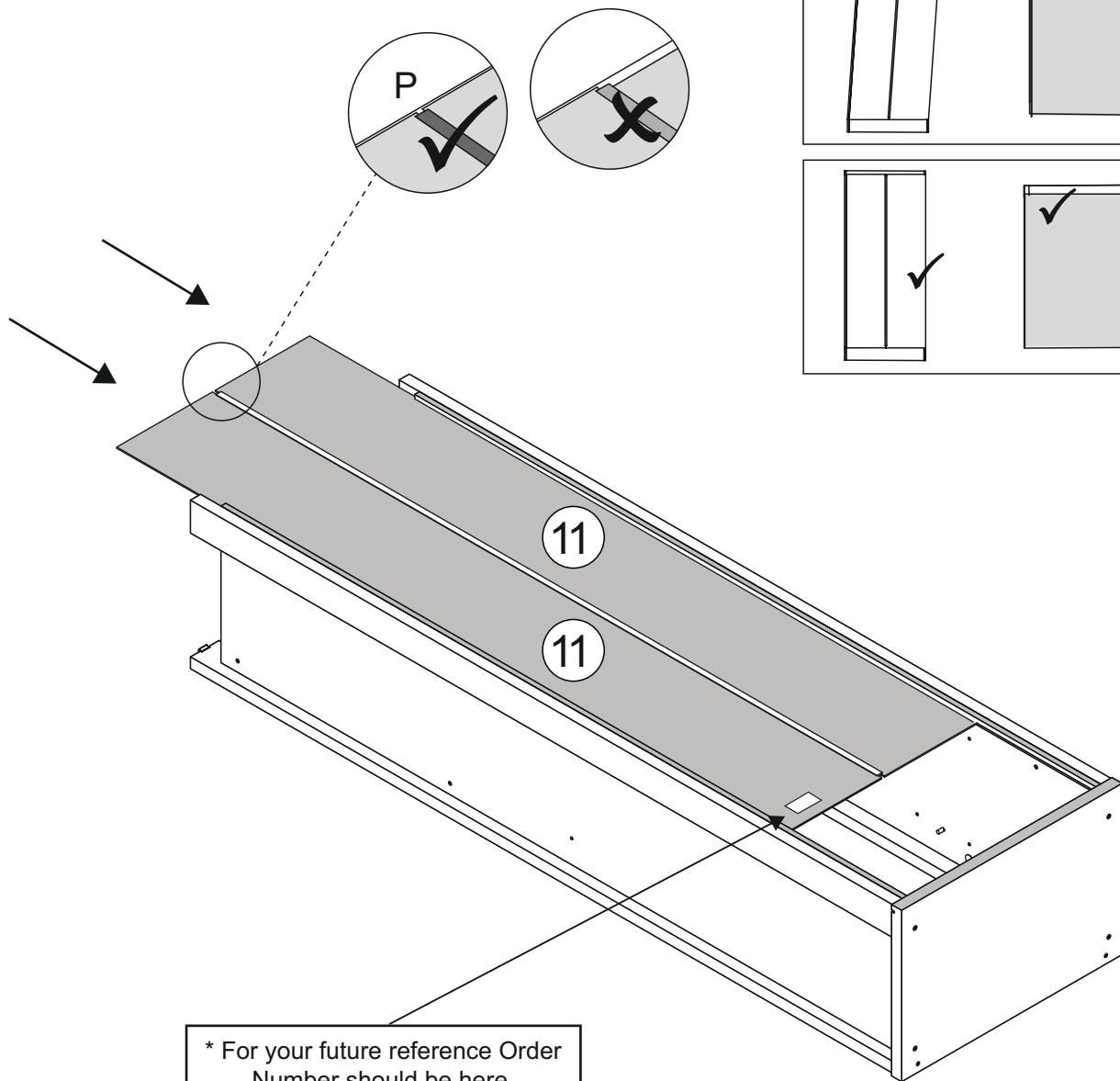
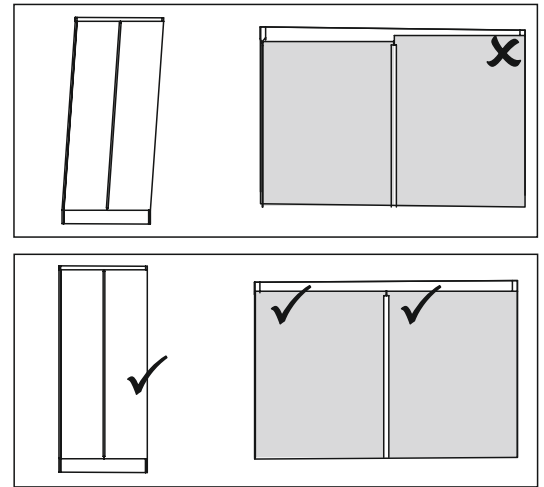
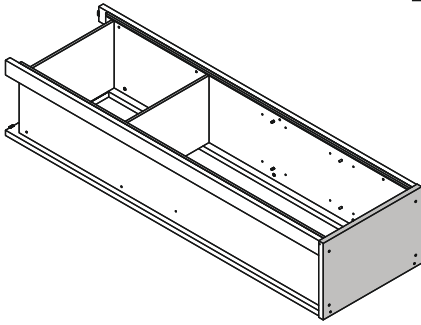
STEP 15

PARTS REQUIRED

11 - BACK PANEL x2

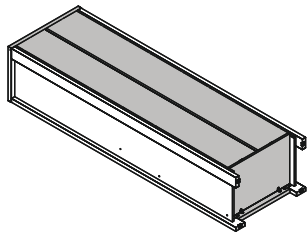
HARDWARE REQUIRED

P  01



STEP 16

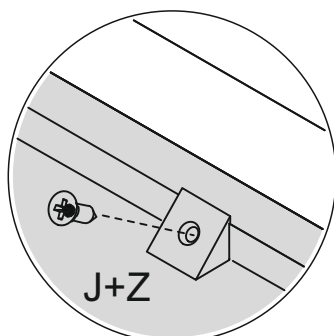
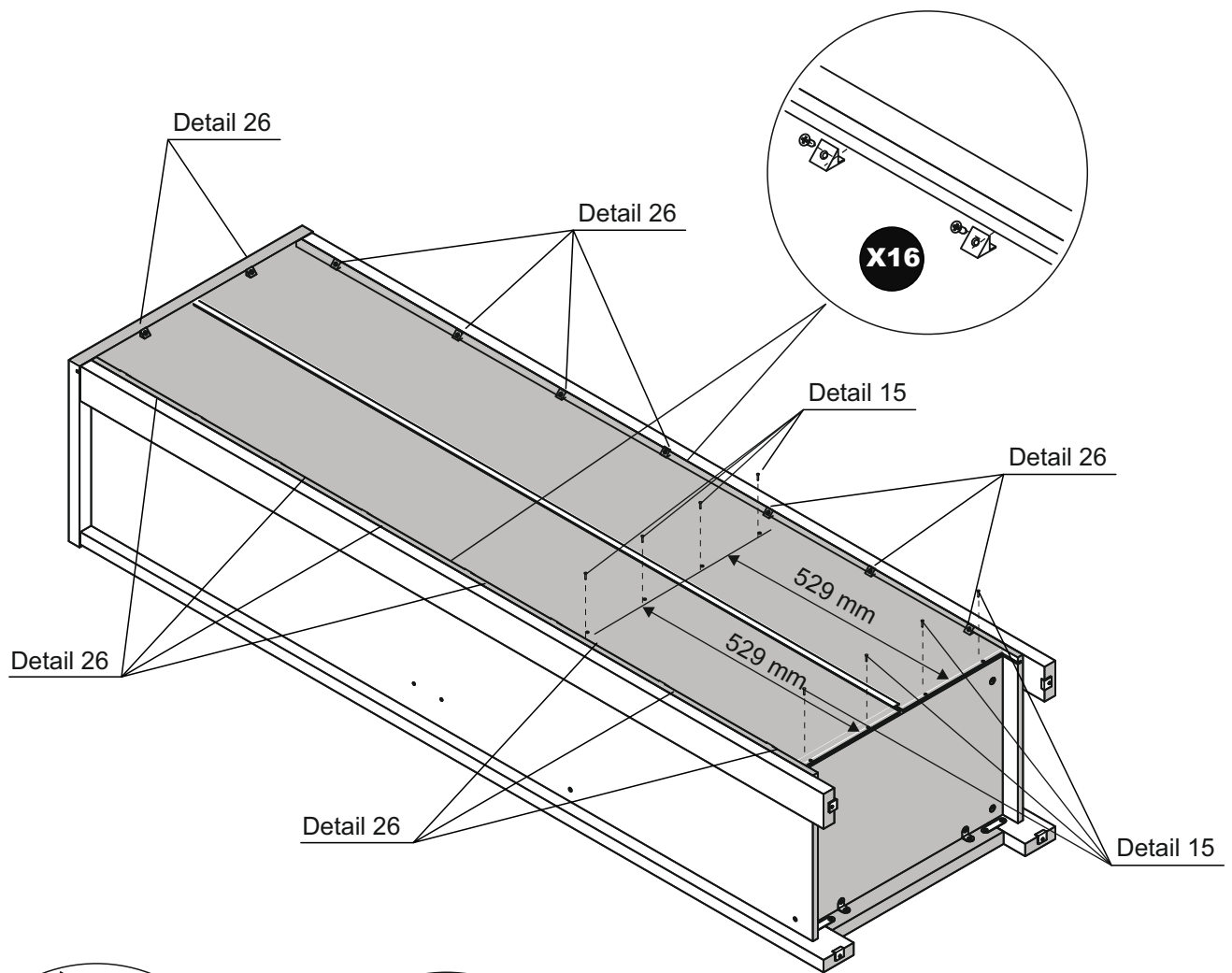
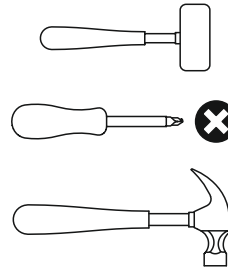
PARTS REQUIRED



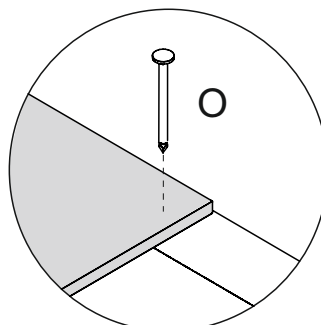
HARDWARE REQUIRED

J		16
O		08
Z		16

TOOLS REQUIRED



Detail 26



Detail 15

STEP 17

PARTS REQUIRED

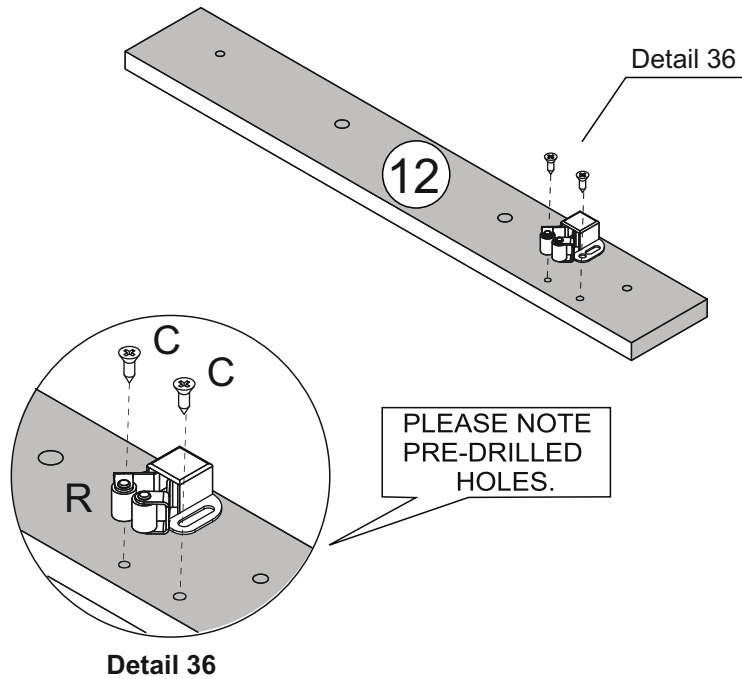
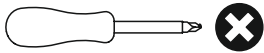
12 - SUPPORT x1

HARDWARE REQUIRED

C  02
Ø3,5 x 12mm

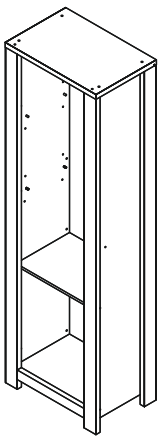
R  01

TOOLS REQUIRED

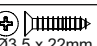


STEP 18

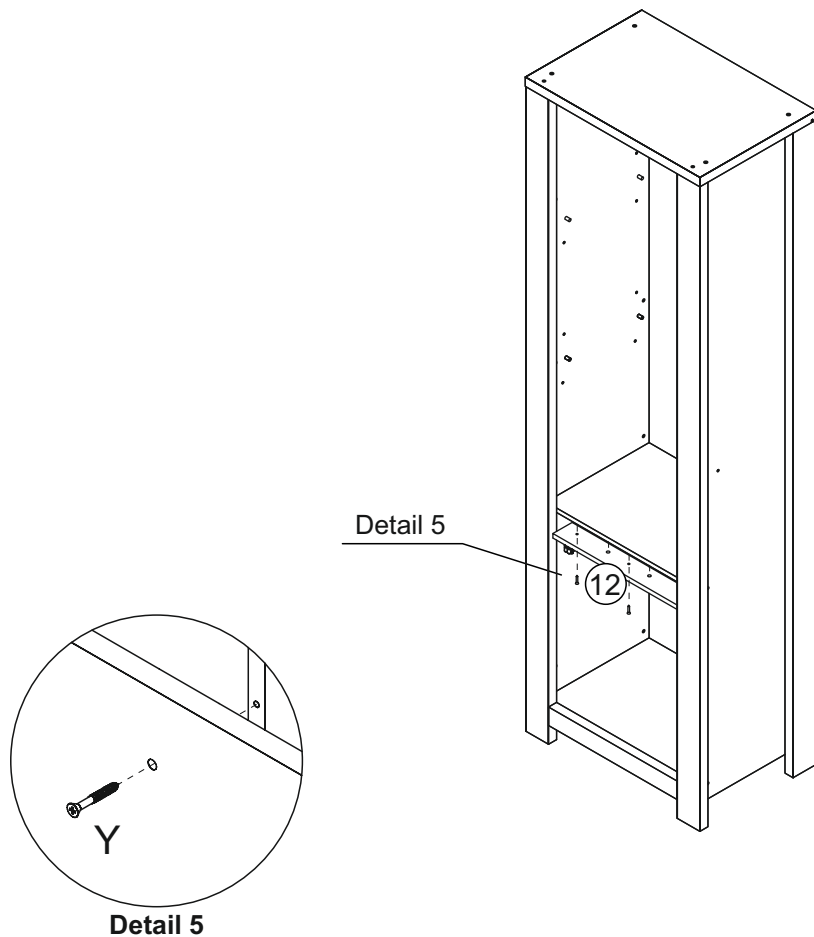
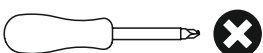
PARTS REQUIRED



HARDWARE REQUIRED

Y  03
Ø3,5 x 22mm

TOOLS REQUIRED

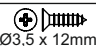


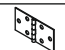
STEP 19

PARTS REQUIRED

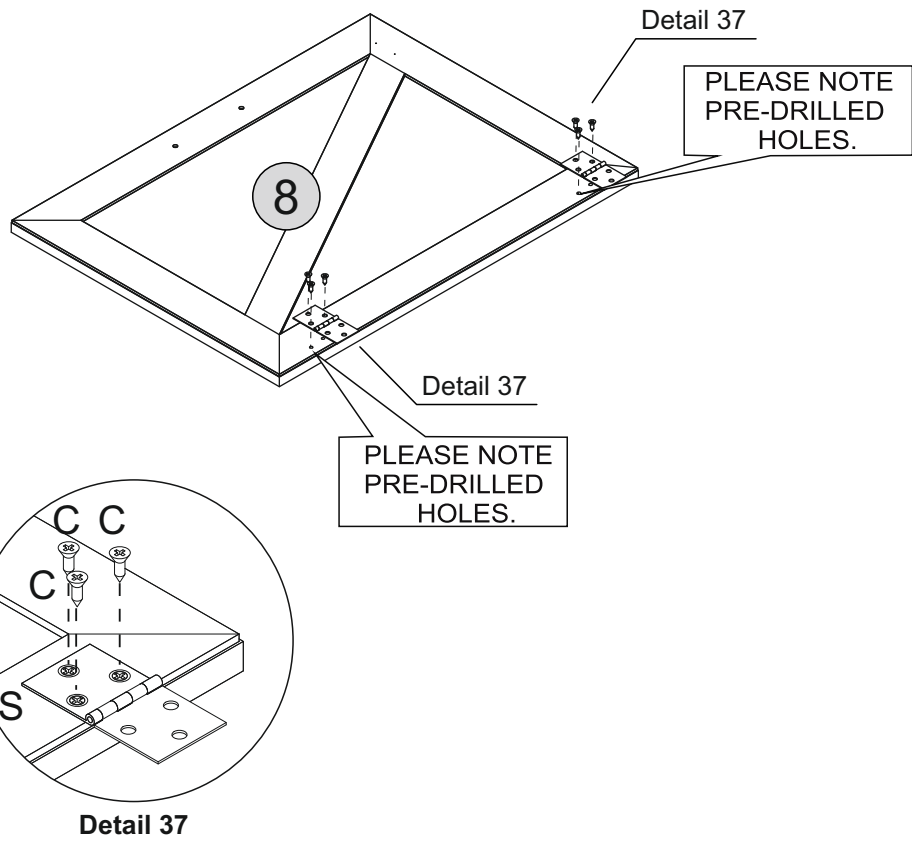
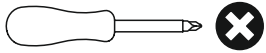
8 - DOOR x1

HARDWARE REQUIRED

C  06
Ø3,5 x 12mm

S  02

TOOLS REQUIRED





STEP 20

PARTS REQUIRED

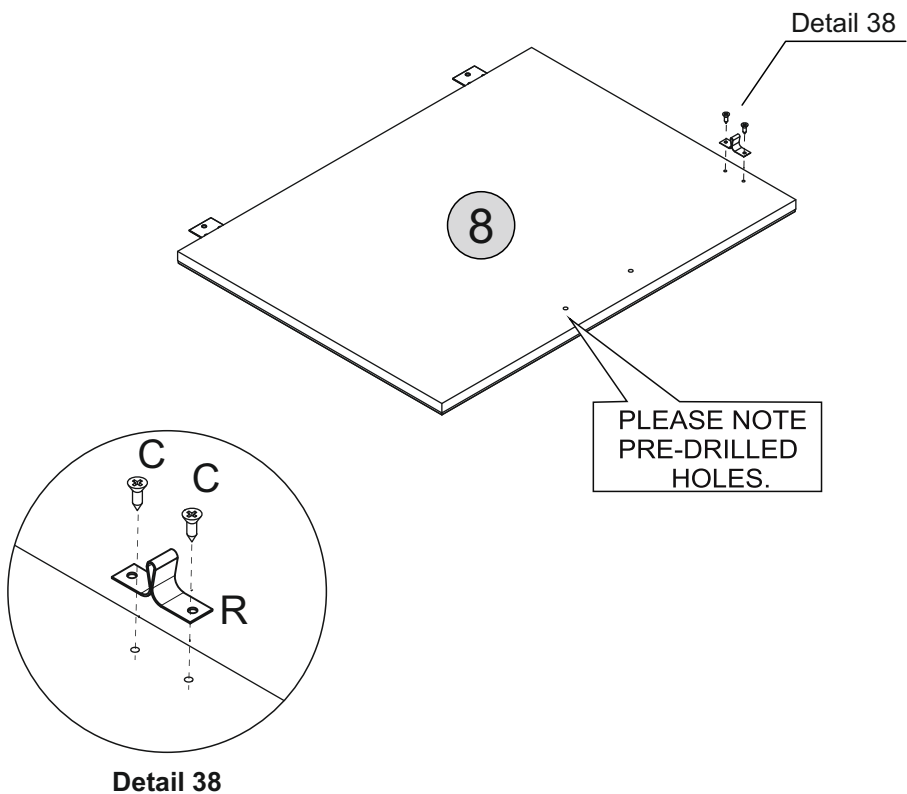
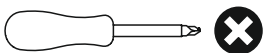
8 - DOOR x1

HARDWARE REQUIRED

C  02
Ø3,5 x 12mm

R  01

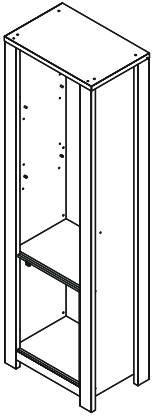
TOOLS REQUIRED



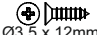
STEP 21

PARTS REQUIRED

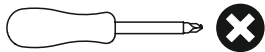
8 - DOOR x1



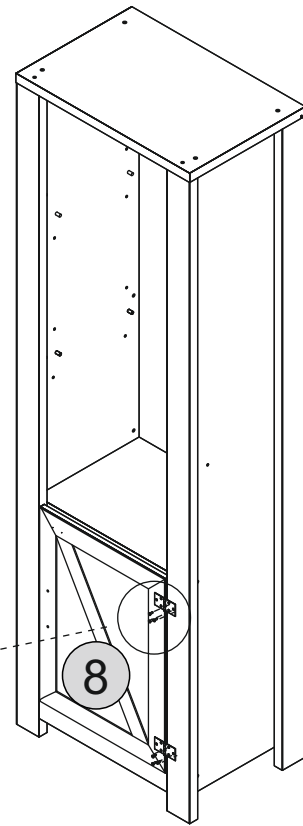
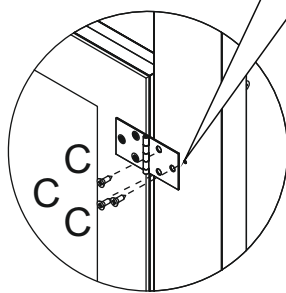
HARDWARE REQUIRED

C  06
Ø3,5 x 12mm

TOOLS REQUIRED

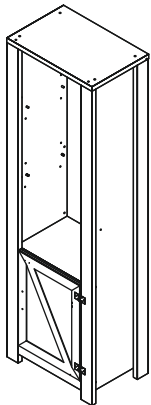


PLEASE NOTE
PRE-DRILLED
HOLES.

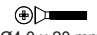


STEP 22

PARTS REQUIRED

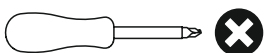


HARDWARE REQUIRED

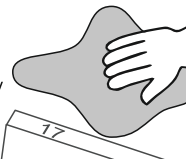
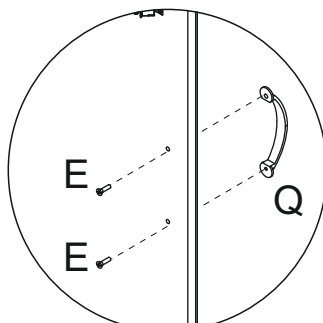
E  02
Ø4,0 x 20 mm

Q  01

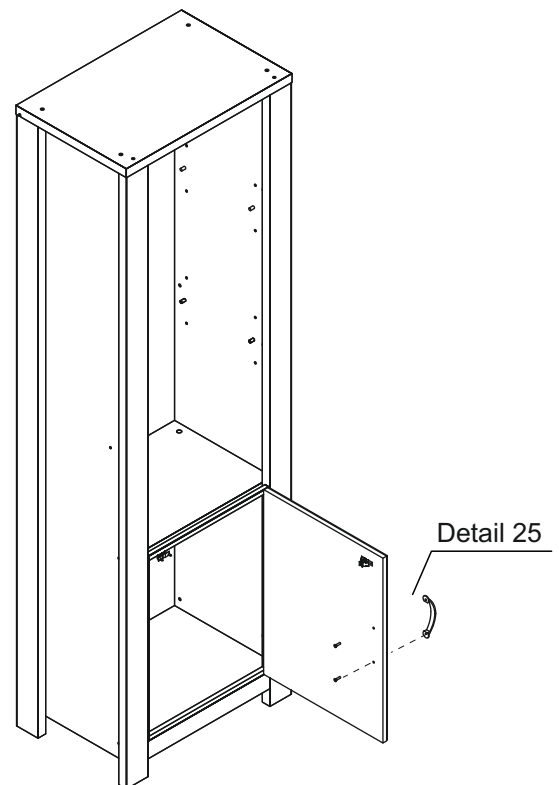
TOOLS REQUIRED



TIP
If desired, after assembly use an alcohol cleaner to erase the number printed on the parts.

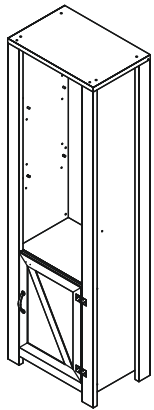
Detail 25



STEP 23

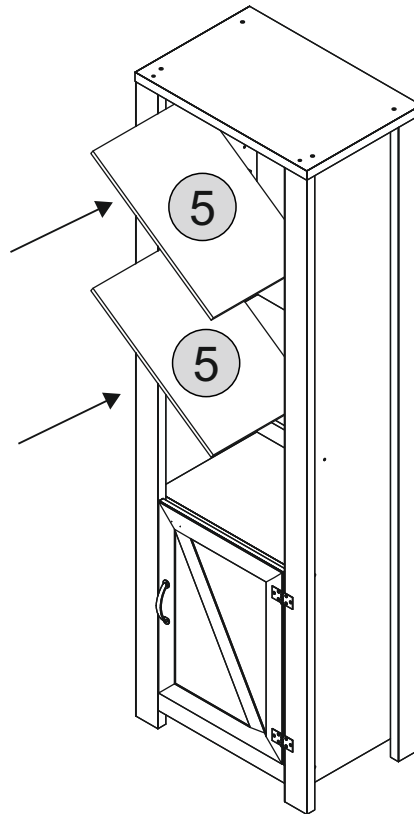
PARTS REQUIRED

5 - ADJUSTABLE SHELF x2



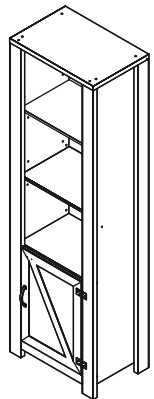
HARDWARE REQUIRED

TOOLS REQUIRED



STEP 24

PARTS REQUIRED

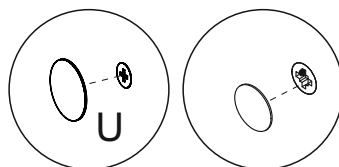
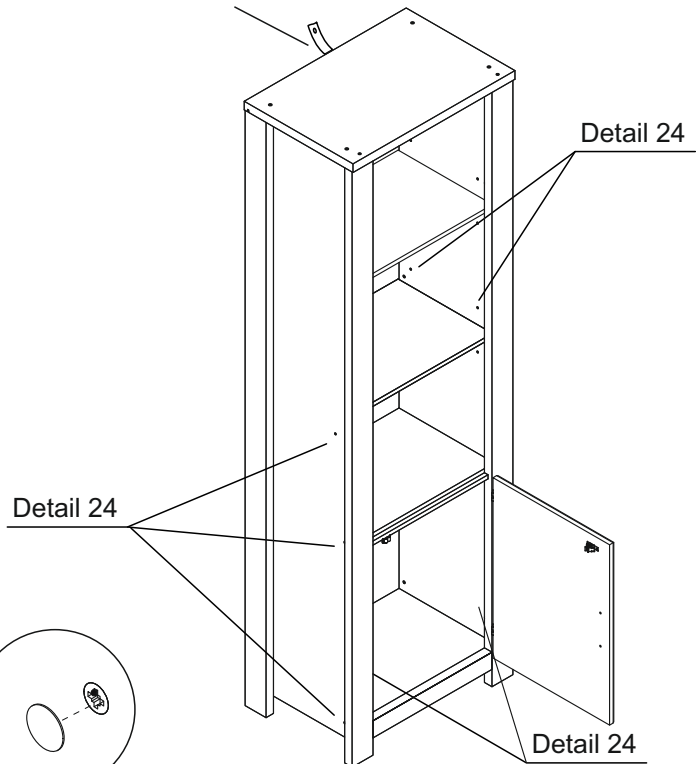


HARDWARE REQUIRED

U  19

TOOLS REQUIRED


See the last page



Detail 24

WARNING

Serious or fatal injuries can occur from furniture tipping over. To prevent the furniture from tipping over we recommend that it is permanently fixed to the wall.

Wall fixings are not supplied with this product as different wall materials require different types of fixing devices.

Please make sure you use fixings suitable for the walls in your home.

