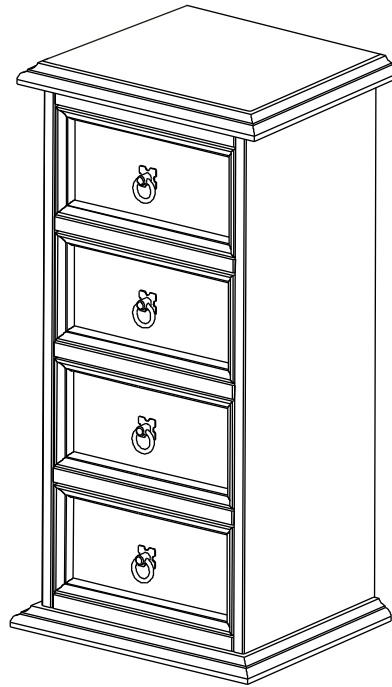


CORONA 4 DRAWER CD CHEST

ASSEMBLY INSTRUCTIONS



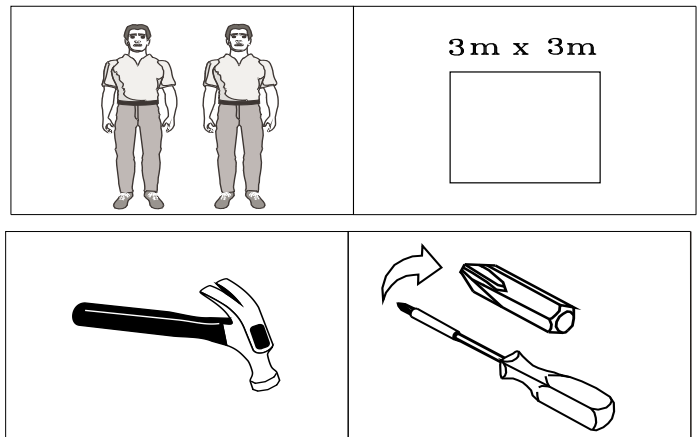
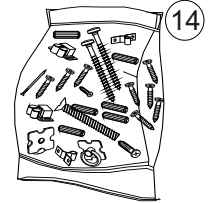
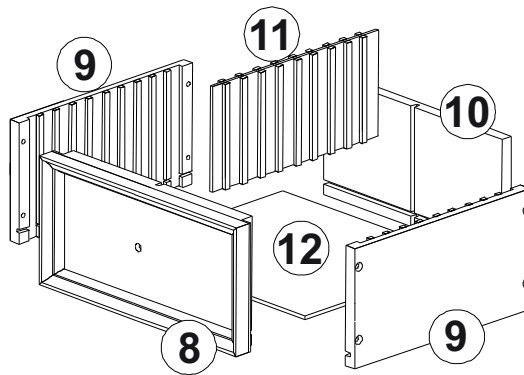
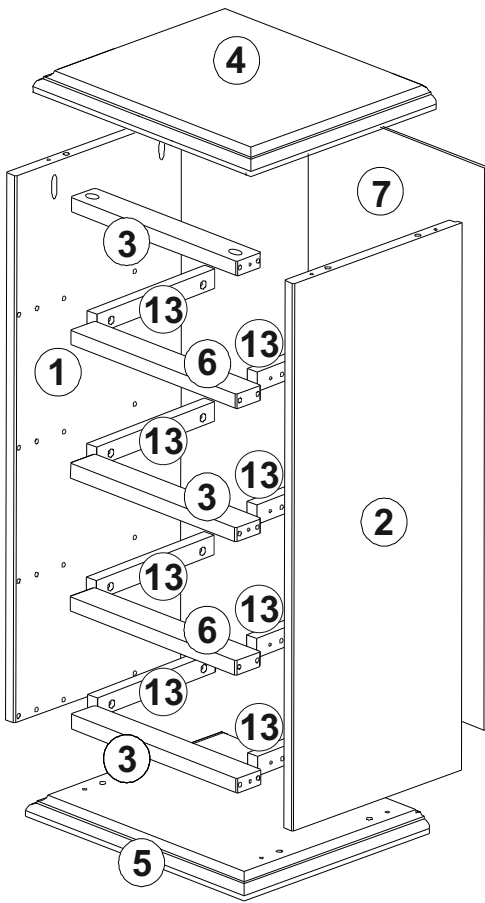
IMPORTANT FOR DOMESTIC USE ONLY

PLEASE READ BEFORE YOU CONTINUE FURTHER

CARE AND MAINTENANCE

After unpacking this product please keep the original packaging in case it needs to be returned for any reason.

- Please ensure all fittings and parts are present before commencing with assembly.
- We recommend that you lay a blanket or sheet on the floor to avoid damage to both your floor and the product.
- We strongly recommend that you keep children away from your work area.
- Assemble this product as close to its final position as possible.
- Never drag or push products as this could cause damage to the joints making it inferior.
- Do not place this product next to a radiator or in direct sunlight.
- Wood is a natural product and may expand if subjected to damp and may shrink or crack if subjected to heat. Therefore it is recommended that room temperature is maintained, with no sudden temperature fluctuations.
- Make sure any spillage is wiped off immediately.
- Do not place hot or chilled items directly on to the surface, use a place mat or marking will occur.
- For general cleaning use a duster, and do not use detergents of any kind. However, the surface will need to be retreated from time to time. This can be done by using block wax (unperfumed) and rubbing it over the whole item.
- From time to time it may be necessary to tighten fittings, regular inspections should be carried out.



1	Left side panel	01
2	Right side panel	01
3	Fixed crossbar	03
4	Top	01
5	Base	01
6	Crossbar	02
7	Back panel	01
8	Drawer front	04
9	Drawer side	08
10	Drawer back	04
11	Drawer divider	04
12	Drawer bottom	04
13	Drawer runner	08
14	Hardware kit	01



* Please check contents and read instruction before commencing assembly.
 * Assemble this article following the enclosed instruction carefully.
 * Please take care to avoid damaging panels during assembly.

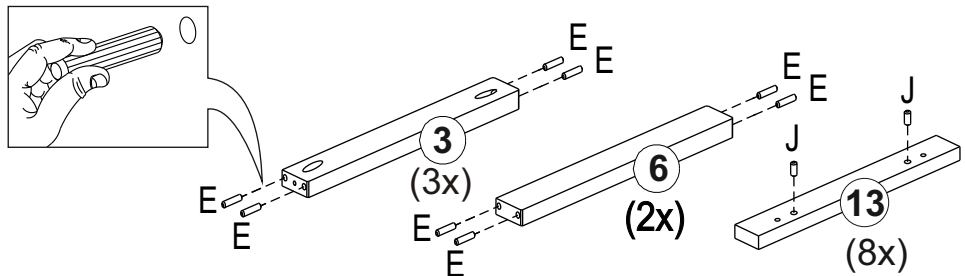
FITTINGS

A	3,0 x 35	14
B	3,0 x 30	32
C	3/16" x 1/2"	04
D	10 x 10	25
E	8 x 30	28

F	8 x 20	04
G	8 x 20	04
H	4,0 x 20	16
I	3,5 x 16	04
J	8 x 20	16
K	8 x 20	01

01

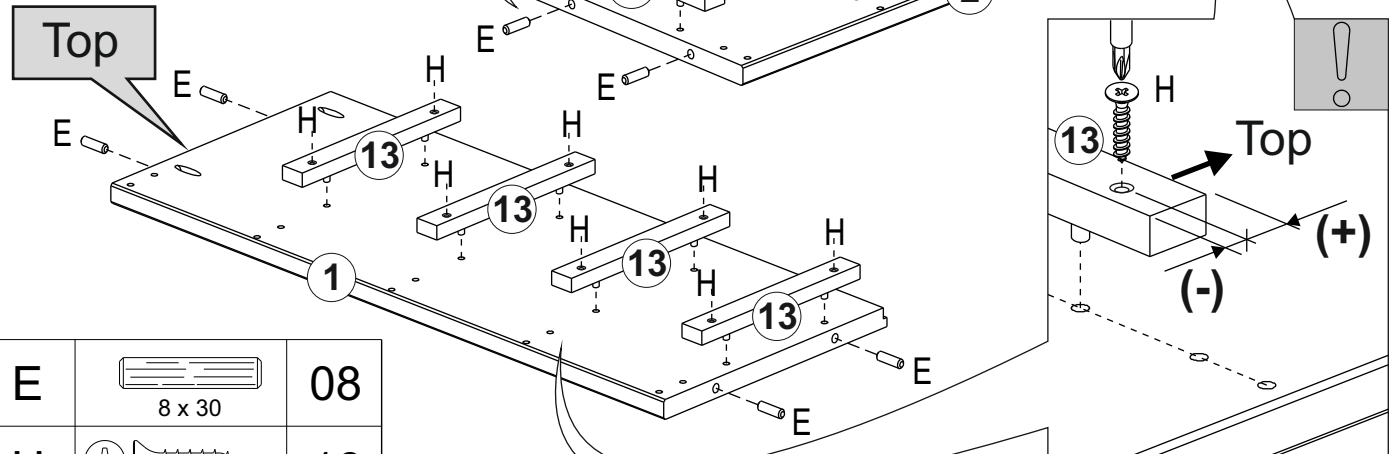
E	8 x 30	20
J	8 x 20	16



02

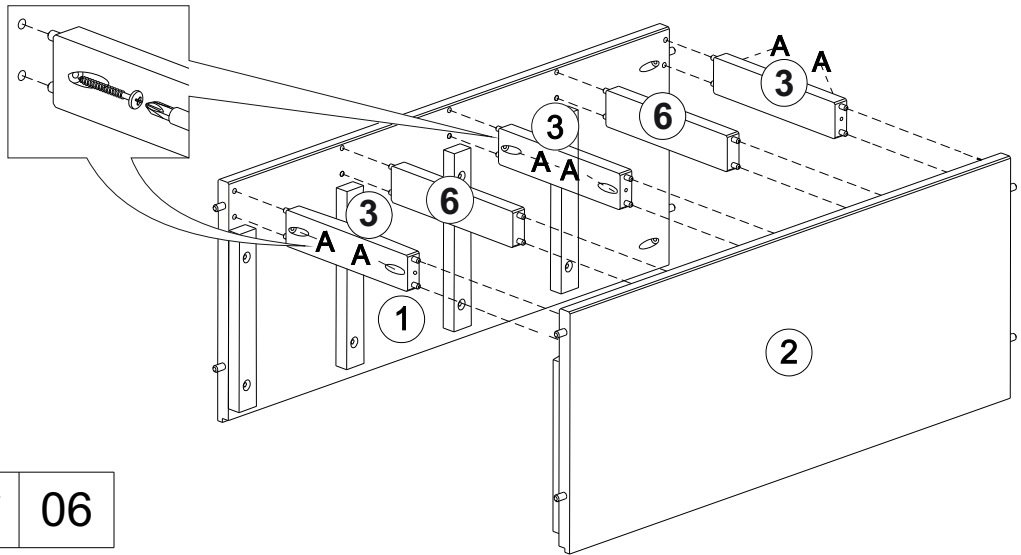


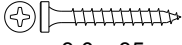
* Use of power tool to assemble this product will invalidate any claim and damage this product making unsafe !!!
 * Please assemble on a clean soft surface to avoid damage.



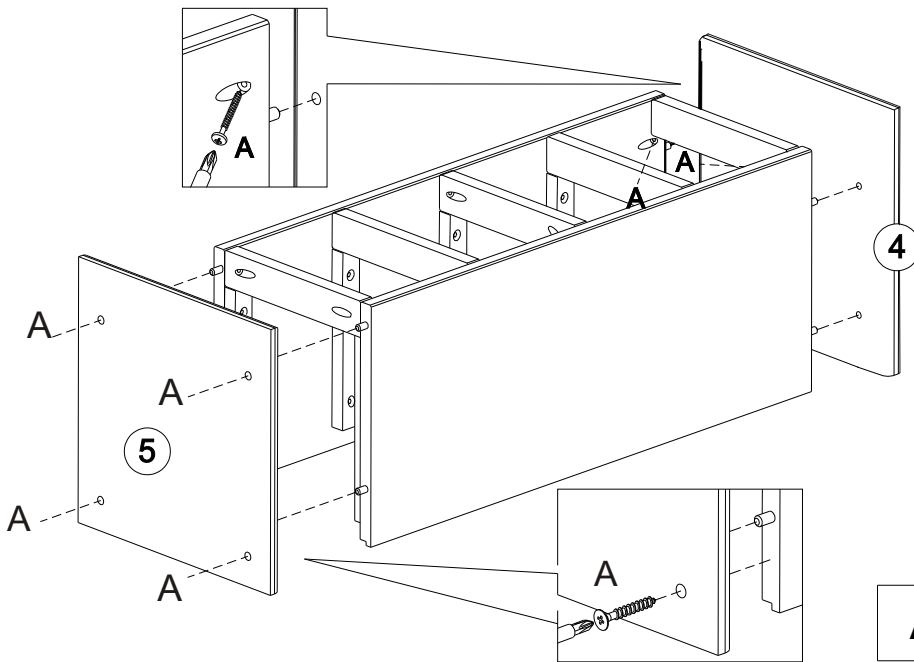
E	8 x 30	08
H	4,0 x 20	16

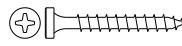
03



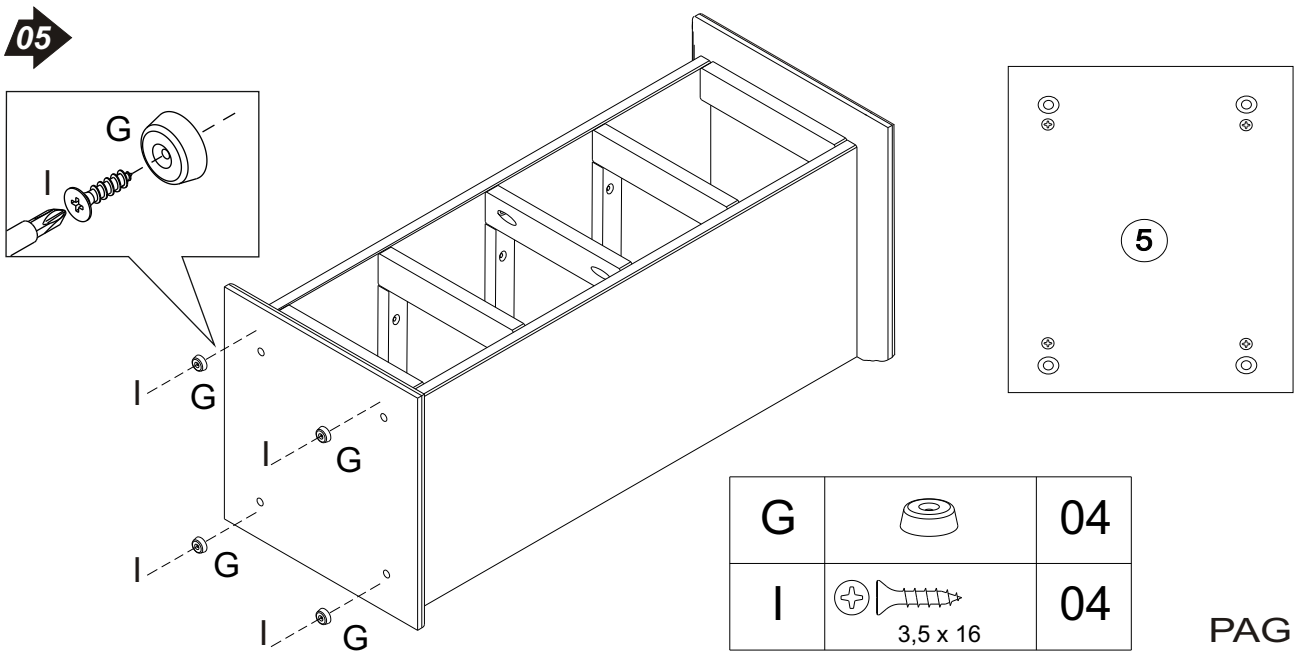
A		06
	3,0 x 35	


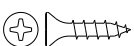
04



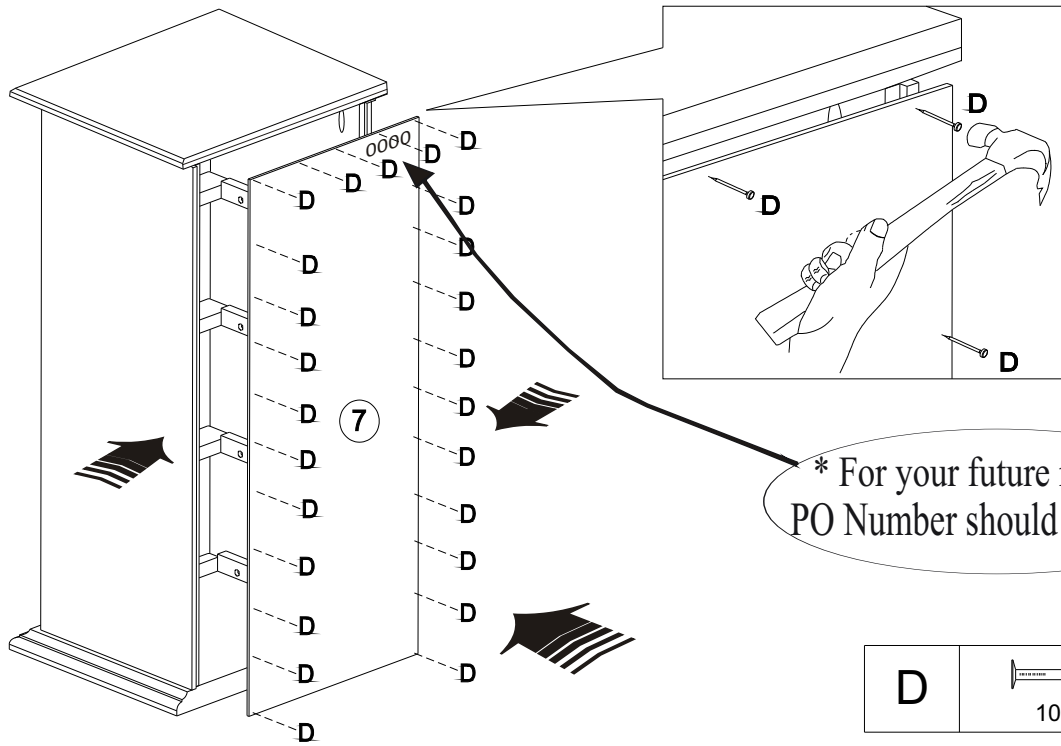
A		08
	3,0 x 35	

05

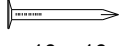


G		04
I		04
	3,5 x 16	

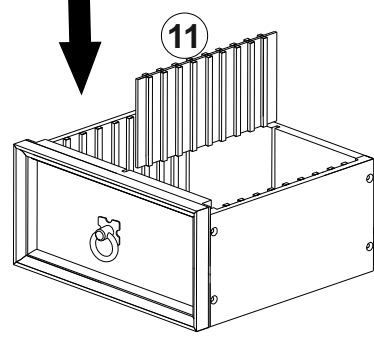
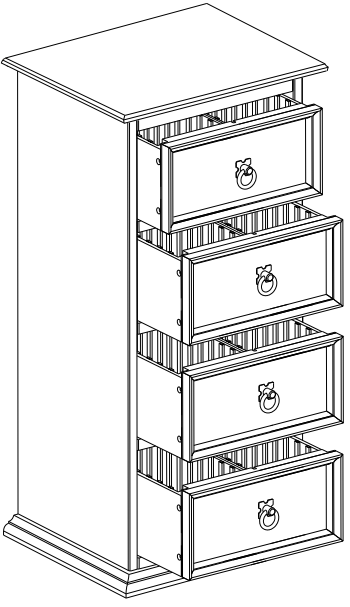
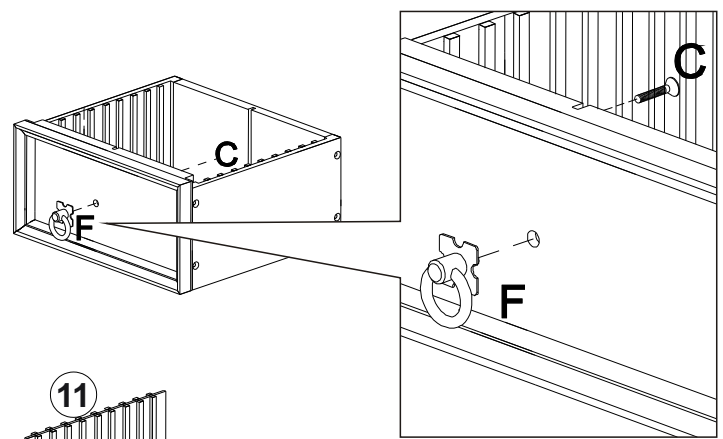
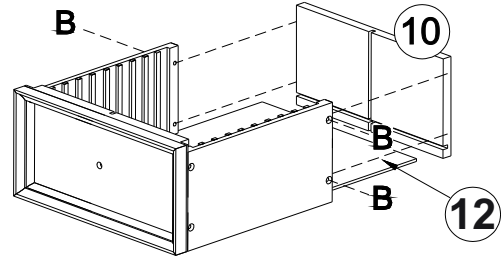
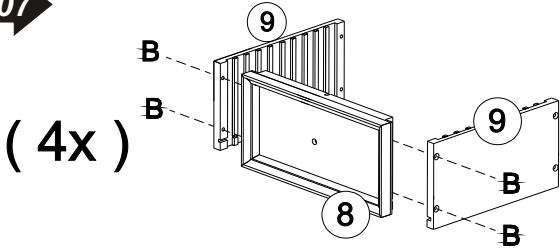
06

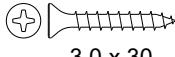
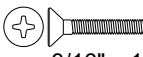
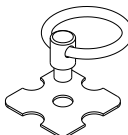


* For your future reference
PO Number should be here

D	 10 x 10	25
---	--	----

07



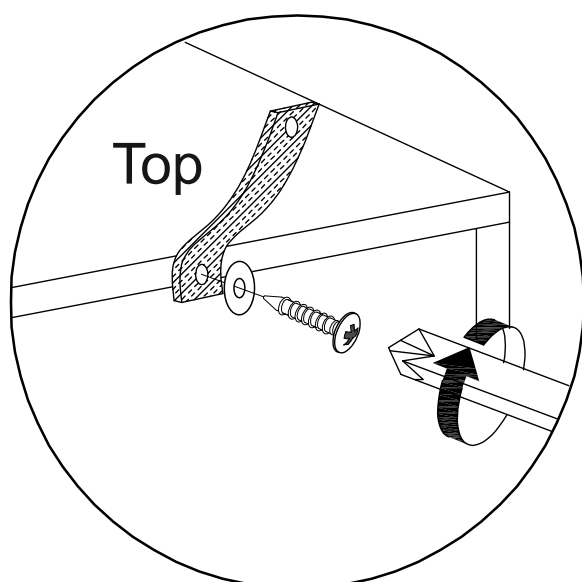
B	 3,0 x 30	32
C	 3/16" x 1/2"	04
F		04

WARNING

Serious or fatal injuries can occur from furniture tipping over. To prevent the furniture from tipping over we recommend that it is permanently fixed to the wall.

Wall fixings are not supplied with this product as different wall materials require different types of fixing devices.

Please make sure you use fixings suitable for the walls in your home.



K- HARDWARE LIST



Strap (Anti-Tip Kit)
(1x)



Wood Screw (Anti-Tip Kit)
3,5 x 25mm (1x)



Washer (Anti-Tip Kit)
(2x)

