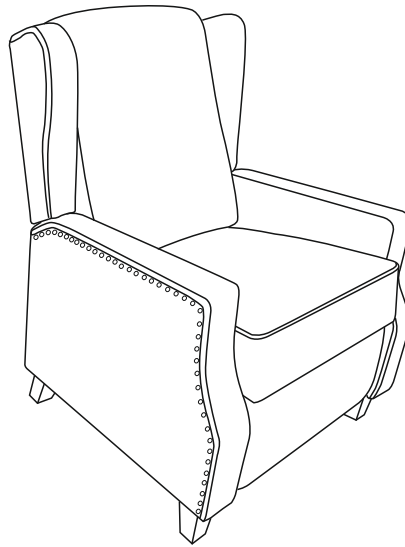


BLUE FABRIC KENSINGTON RECLINER CHAIR ASSEMBLY INSTRUCTIONS



IMPORTANT FOR DOMESTIC USE ONLY PLEASE READ BEFORE YOU CONTINUE FURTHER

THE PRODUCT YOU HAVE PURCHASED WILL GIVE YOU MANY YEARS OF SERVICE IF YOU FOLLOW THE GUIDELINES FOR ITS SAFE ASSEMBLY AND PERIODIC MAINTENANCE AND CLEANING.

ASSEMBLE ON A SOFT CLEAN SURFACE.

DO NOT USE ANY TOOLS OTHER THAN THOSE SHOWN

ANY SPANNERS OR ALLEN KEYS REQUIRED ARE INCLUDED WITH THE FITTINGS KIT.

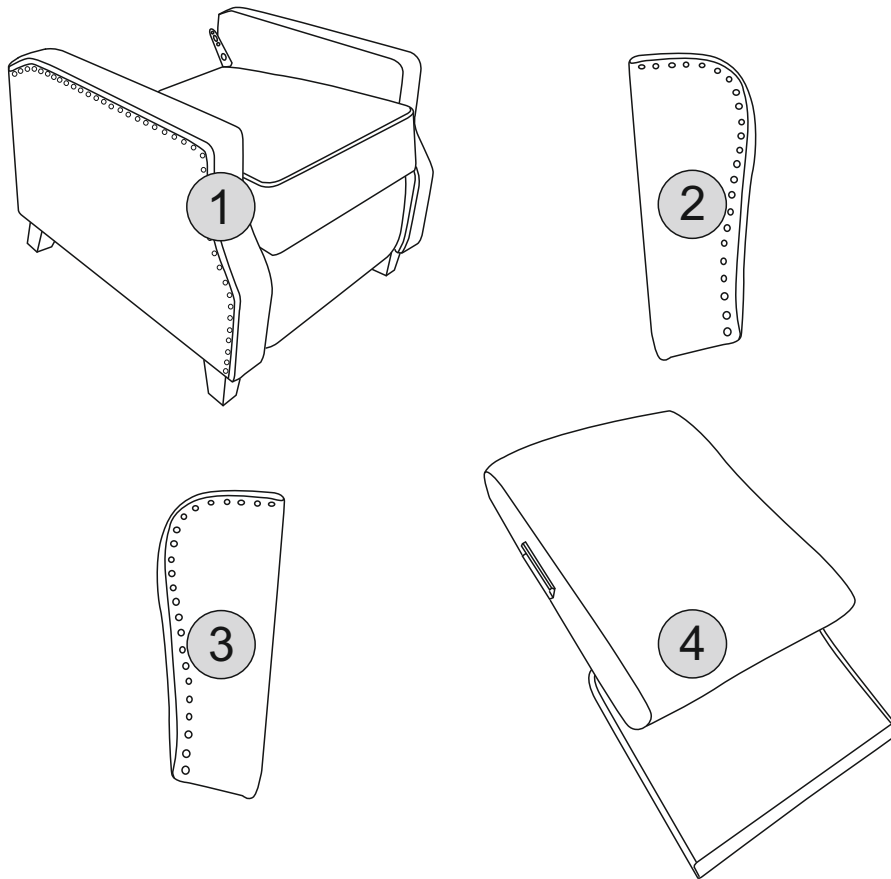
DO NOT FOR ANY REASON USE A POWER TOOL TO ASSEMBLE THIS PRODUCT. ITS USE WILL INVALIDATE ANY CLAIM YOU MAY HAVE AND COULD MAKE THIS PRODUCT UNSAFE.

DEPENDING ON THE AMOUNT OF USE THIS PRODUCT RECEIVES IT MAY BE NECESSARY TO TIGHTEN UP THE FIXINGS FROM TIME TO TIME. THIS IS COMPLETELY NORMAL FOR ANY FLAT PACK FURNITURE.

DO NOT OVERTIGHTEN FIXINGS.

FOR CLEANING YOU MAY USE A DAMP CLOTH (NOT WET).




THIS PRODUCT MAY STAIN OR MARK IF ALLOWED TO COME INTO CONTACT WITH WET OR DAMP OBJECTS AS MATERIALS USED HAVE NOT BEEN TREATED WITH SCOTCH GUARD.



PARTS LIST

Part Number	Part Code	Part Description	Quantity	Carton
1	S300-310-010-HB1-01	Chair	1	1/1
2	S300-310-010-HB1-02	Headrest (Left)	1	1/1
3	S300-310-010-HB1-03	Headrest (Right)	1	1/1
4	S300-310-010-HB1-04	Chair Back	1	1/1

HARDWARE LIST

No.	Part Name		Qty
A	Plastic Washer		04
B	Back Feet		02
C	Front Feet		02

STEP 1

PARTS REQUIRED

1 - CHAIR x1

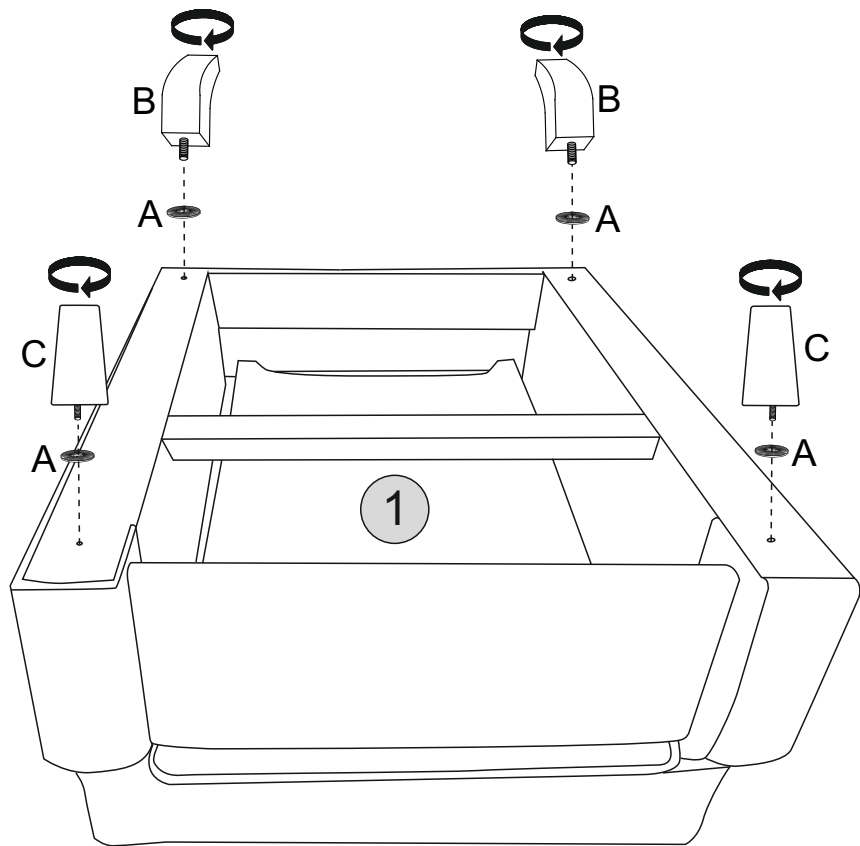
HARDWARE REQUIRED

A  04

B  02

C  02

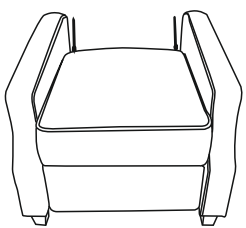
TOOLS REQUIRED



STEP 2

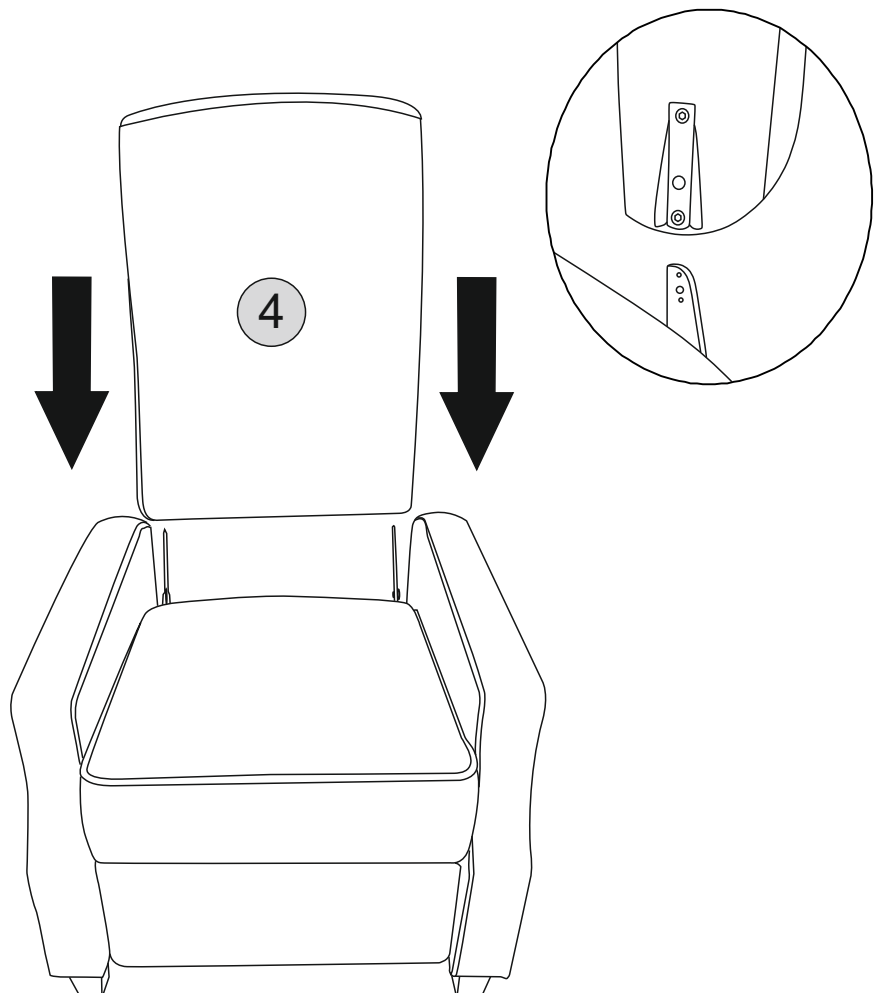
PARTS REQUIRED

4 - CHAIR BACK x1



HARDWARE REQUIRED

TOOLS REQUIRED

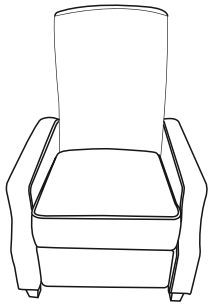


STEP 3

PARTS REQUIRED

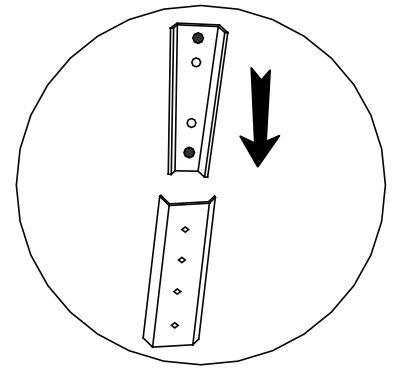
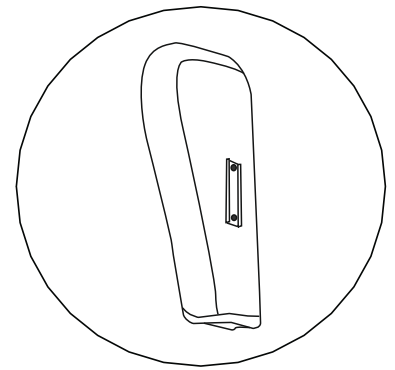
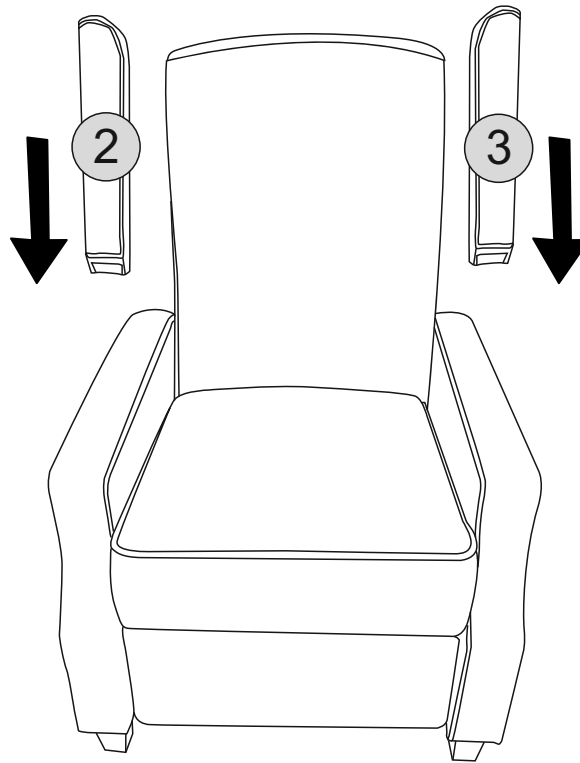
2 - HEADREST (LEFT) x1

3 - HEADREST (RIGHT) x1



HARDWARE REQUIRED

TOOLS REQUIRED



STEP 4

PARTS REQUIRED

HARDWARE REQUIRED

TOOLS REQUIRED

