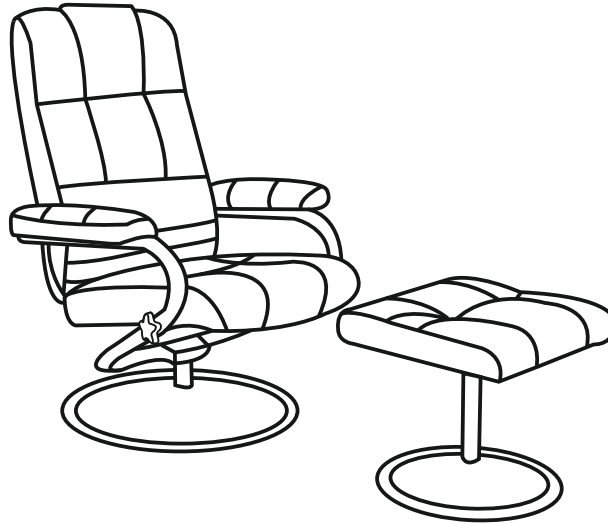


# ASCOT RECLINER CHAIR AND FOOTSTOOL ASSEMBLY INSTRUCTIONS



## IMPORTANT

FOR DOMESTIC USE ONLY

**PLEASE READ BEFORE YOU CONTINUE FURTHER**

THE PRODUCT YOU HAVE PURCHASED WILL GIVE YOU MANY YEARS OF SERVICE IF YOU FOLLOW THE GUIDELINES FOR ITS SAFE ASSEMBLY AND PERIODIC MAINTENANCE AND CLEANING.

ASSEMBLE ON A SOFT CLEAN SURFACE.

DO NOT USE ANY TOOLS OTHER THAN THOSE SHOWN.

ANY SPANNERS OR ALLEN KEYS REQUIRED ARE INCLUDED WITH THE FITTINGS KIT.

DO NOT FOR ANY REASON USE A POWER TOOL TO ASSEMBLE THIS PRODUCT. ITS USE WILL INVALIDATE ANY CLAIM YOU MAY HAVE AND COULD MAKE THIS PRODUCT UNSAFE.

DEPENDING ON THE AMOUNT OF USE THIS PRODUCT RECEIVES IT MAY BE NECESSARY TO TIGHTEN UP THE FIXINGS FROM TIME TO TIME.

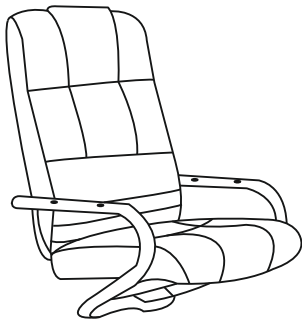
THIS IS COMPLETELY NORMAL FOR ANY FLAT PACK FURNITURE.

**DO NOT OVERTIGHTEN FIXINGS.**

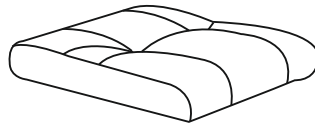
**FOR CLEANING, YOU MAY USE A DAMP CLOTH (NOT WET). DO NOT USE POLISH, DETERGENT OR CHEMICAL CLEANERS.**

THE SURFACE OF THIS ITEM IS NOT HEAT RESISTANT. ALWAYS USE A PLACE MAT UNDER HOT OR COLD ITEMS TO PREVENT MARKING.

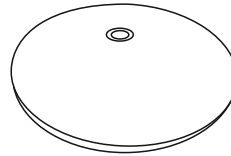
PLEASE CHECK THAT YOU HAVE ALL THE PARTS LISTED BEFORE YOU START ASSEMBLING. IF YOU DO FIND THAT SOMETHING IS MISSING, DO NOT CONTINUE ASSEMBLY. PLEASE CONTACT YOUR SUPPLIER IMMEDIATELY.



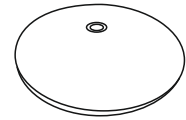
1



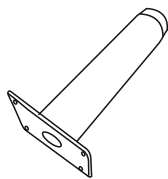
2



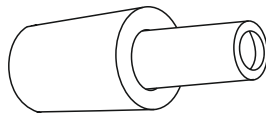
3



4



5



6



7









8

## PART LIST

Part Number	Part Code	Part Description	Quantity	Carton
1	S300-310-011-WK1-01	Chair	1	1/1
2	S300-310-011-WK1-02	Footstool Top	1	1/1
3	S300-310-011-WK1-03	Chair Base	1	1/1
4	S300-310-011-WK1-04	Footstool Base	1	1/1
5	S300-310-011-WK1-05	Footstool Centre Foot	1	1/1
6	S300-310-011-WK1-06	Chair Centre Foot	1	1/1
7	S300-310-011-WK1-07	Left Arm Rest	1	1/1
8	S300-310-011-WK1-08	Right Arm Rest	1	1/1

## HARDWARE LIST

No.	Part Name		Qty
A	Bolt M6x20mm		04
B	Seat Adjustment Knob		01
C	Bolt M6x40mm		04
D	Push Clip Bolt		02
E	Push Bolt Clip		02
F	M6 Allen Key		01

PLEASE CHECK THAT YOU HAVE ALL THE PARTS LISTED BEFORE YOU START ASSEMBLING. IF YOU DO FIND THAT SOMETHING IS MISSING, DO NOT CONTINUE ASSEMBLY. PLEASE CONTACT YOUR SUPPLIER IMMEDIATELY.


# STEP 1

PARTS REQUIRED

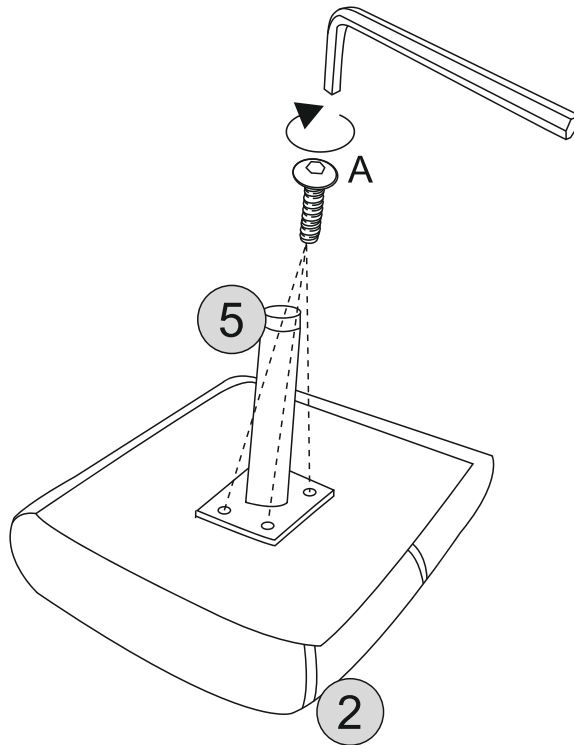
2- FOOTSTOOL TOP x1

5- FOOTSTOOL CENTRE FOOT x1

HARDWARE REQUIRED

A  04

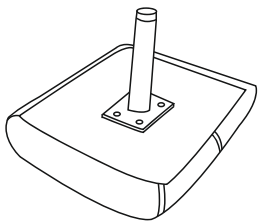
TOOLS REQUIRED



# STEP 2

PARTS REQUIRED

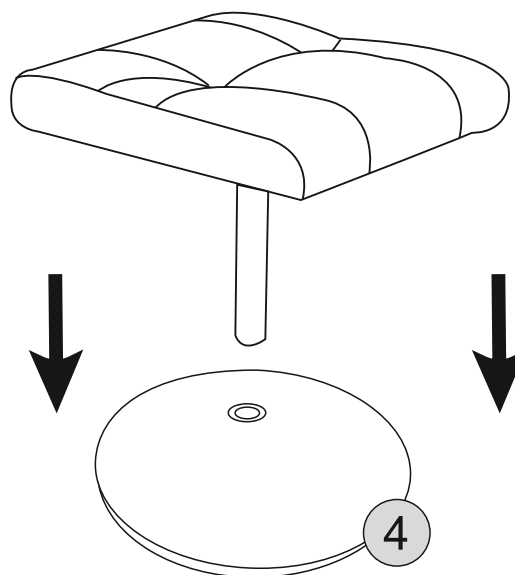
4- FOOTSTOOL BASE x1



HARDWARE REQUIRED

TOOLS REQUIRED

PUSH DOWN ONTO BASE



# STEP 3

PARTS REQUIRED

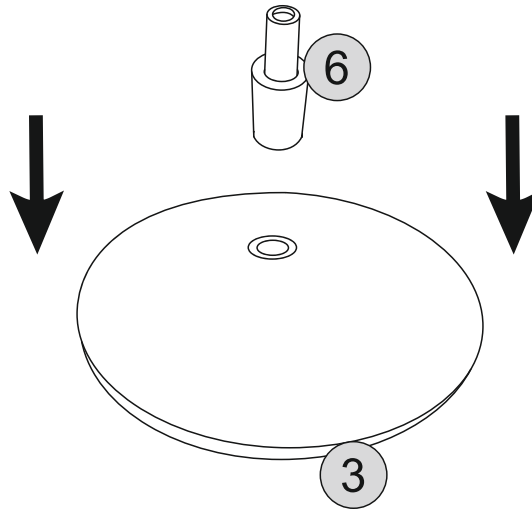
3 - CHAIR BASE x1

6 - CHAIR CENTRE FOOT x1

HARDWARE REQUIRED

TOOLS REQUIRED

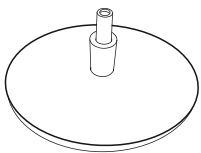
PUSH DOWN ONTO BASE



# STEP 4

PARTS REQUIRED

1 - CHAIR x1



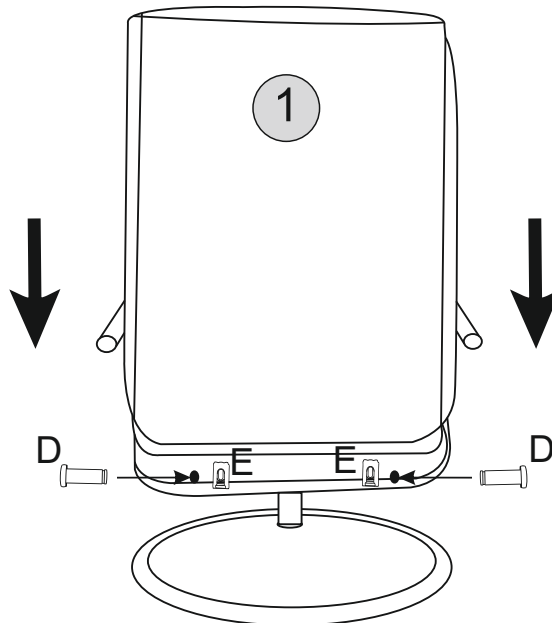
HARDWARE REQUIRED

D  02

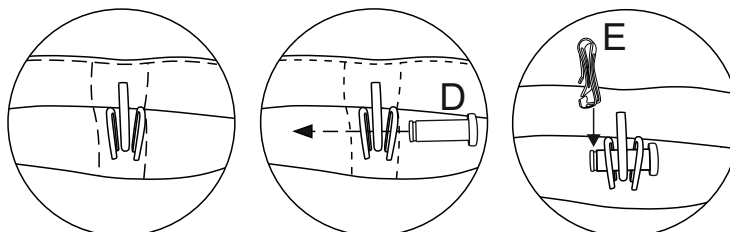
E  02

TOOLS REQUIRED

PUSH CHAIR DOWN ONTO THE BASE.



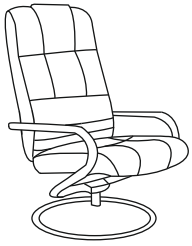
UNFOLD CHAIR UNTIL THE THREE HOLES LINE UP, NOW INSERT PUSH CLIP BOLT.



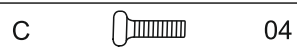
# STEP 5

**PARTS REQUIRED**

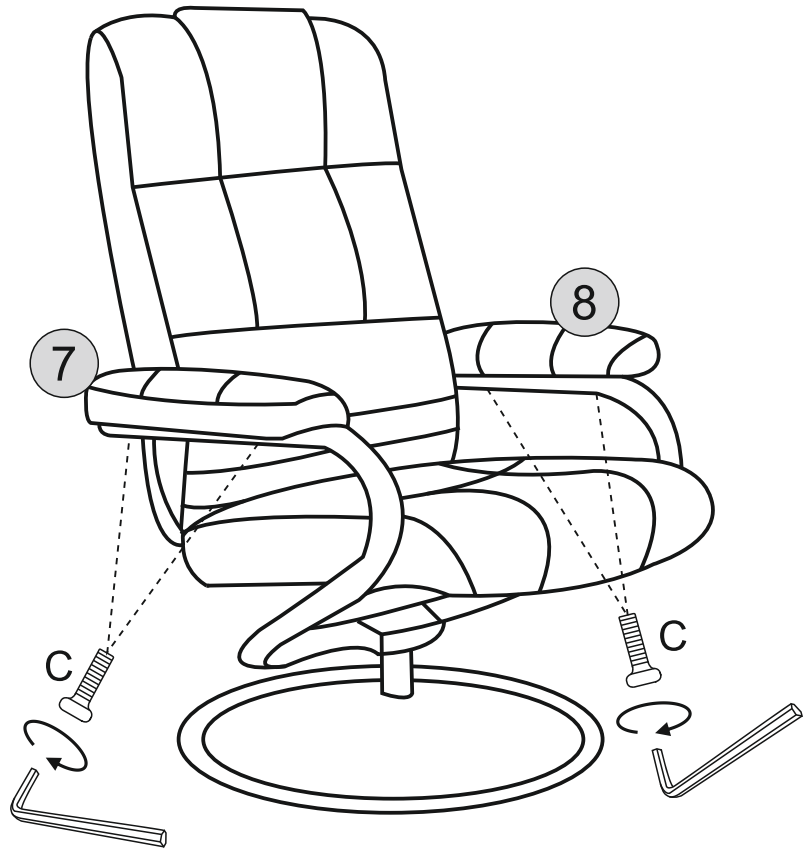
- 7- LEFT ARM REST x1
- 8- RIGHT ARM REST x1



**HARDWARE REQUIRED**

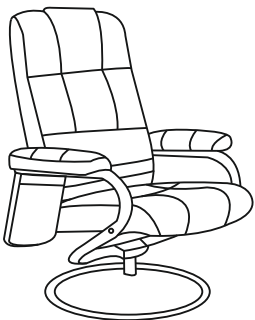


**TOOLS REQUIRED**



# STEP 6

**PARTS REQUIRED**

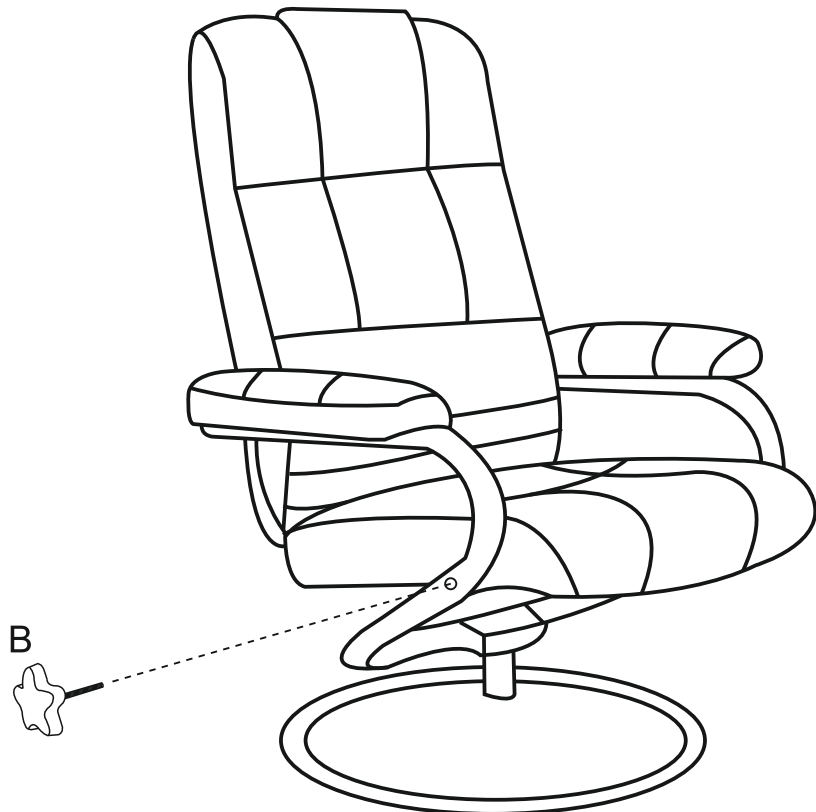


**HARDWARE REQUIRED**



**TOOLS REQUIRED**

PUSH DOWN ONTO BASE



# STEP 7

PARTS REQUIRED

HARDWARE REQUIRED

TOOLS REQUIRED

