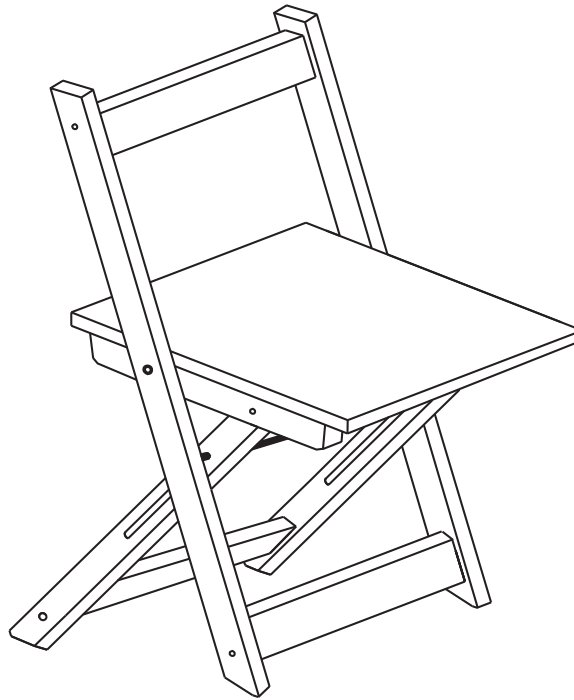


SANTOS DINING CHAIR

ASSEMBLY INSTRUCTIONS

GREY SLATE/DISTRESSED WAXED PINE



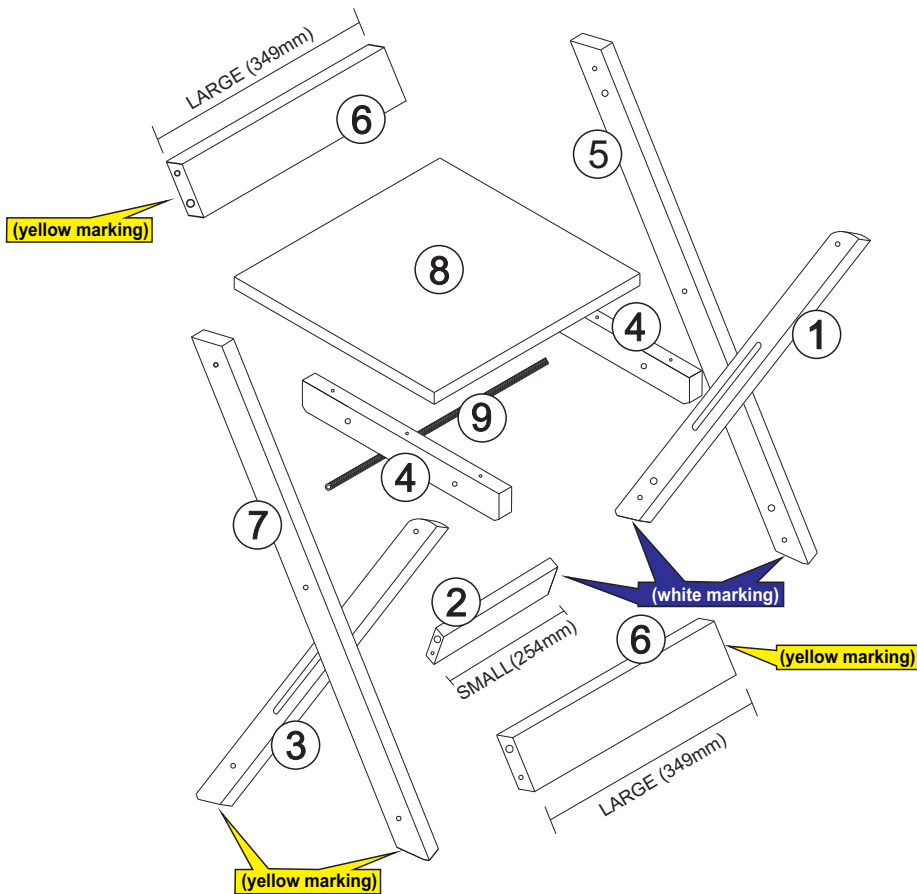
IMPORTANT

FOR DOMESTIC USE ONLY

PLEASE READ BEFORE YOU CONTINUE FURTHER

CARE AND MAINTENANCE

- After unpacking this product please keep the original packaging incase it needs to be returned for any reason.
- Please ensure all fittings and parts are present before commencing with assembly.
- We recommend that you lay a blanket or sheet on the floor to avoid damage to both your floor and the product.
- We strongly recommend that you keep children away from your work area.
- Assemble this product as close to its final position as possible.
- Never drag or push products as this could cause damage to the joints making it inferior.
- Do not drag or push items across your furniture as this may cause the surface to scratch.
- Do not place this product next to a radiator or in direct sunlight.
- Wood is a natural product and may expand if subjected to damp and may shrink or crack if subjected to heat. Therefore it is recommended that room temperature is maintained, with no sudden temperature fluctuations.
- Make sure any spillage is wiped off immediately.
- Do not place hot or chilled items directly onto the surface, use a place mat or marking will occur.
- For general cleaning use a soft cotton or microfibre cloth, and do not use detergents of any kind.
- Do not place on a wet or damp floor as staining may occur to your floor.
- From time to time it maybe necessary to tighten fittings, regular inspections should be carried out.



REQUIRED

<p><u>Tools</u></p>
<p><u>Area</u></p> <p>1200mm x 1200mm</p>
<p><u>One Person</u></p>

Please Note:
The below parts have been number/colour coded to help identify them during assembly.

PARTS LIST(PER CHAIR)

Part Number	Part Code	Part Description	Quantity
1	S400-401-169-KK3-01C	SMALL RIGHT CHAIR SIDE (WHITE MARKING)	1
2	S400-401-169-KK3-02C	SMALL DOWN CROSSBEAM (WHITE MARKING) 254mm	1
3	S400-401-169-KK3-03C	SMALL LEFT CHAIR SIDE (YELLOW MARKING)	1
4	S400-401-169-KK3-04C	SEAT SUPPORT (NUMBER)	2
5	S400-401-169-KK3-05C	LARGE RIGHT CHAIR SIDE (WHITE MARKING)	1
6	S400-401-169-KK3-06C	BACK/FRONT RAIL (YELLOW MARKING) 349mm	2
7	S400-401-169-KK3-07C	LARGE LEFT CHAIR SIDE (YELLOW MARKING)	1
8	S400-401-169-KK3-08C	CHAIR SEAT (NUMBER)	1
9	S400-401-169-KK3-09C	BLACK METAL SUPPORT	1

HARDWARE LIST

A	Ø7.0 x 45	16	E	Ø10 x 40	24
B	GLUE	02	F		01
C	Ø7.0 x 60	24	G	Ø3.5 x 35CP	24
D		16			

STEP 1

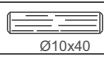
PARTS REQUIRED

2 - SMALL DOWN CROSSBEAM x1

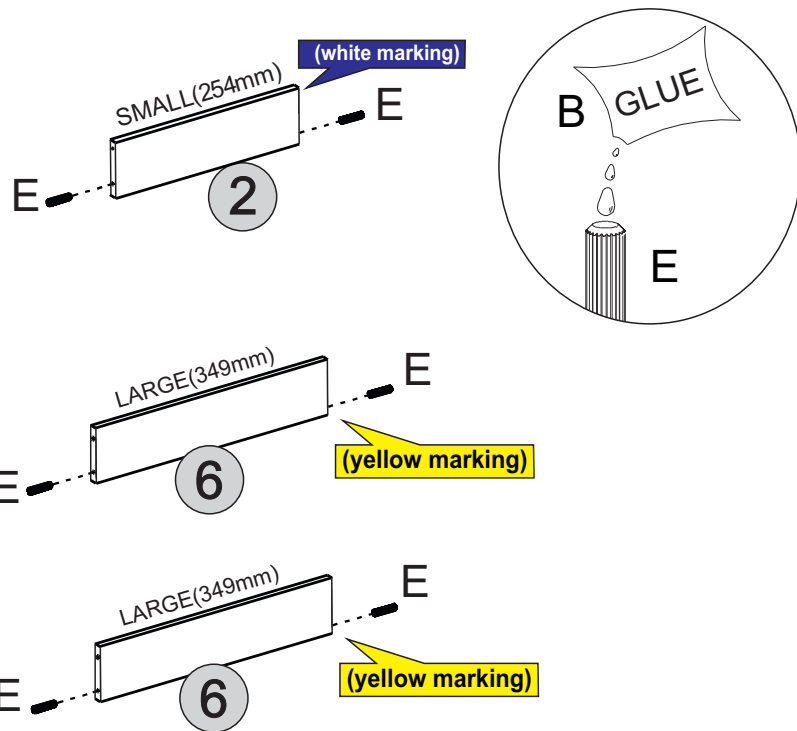
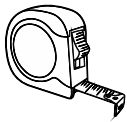
6 - BACK/FRONT RAIL x2

HARDWARE REQUIRED

B  GLUE 01

E  Ø10x40 06

TOOLS REQUIRED



STEP 2

PARTS REQUIRED

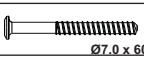
1 - SMALL RIGHT CHAIR SIDE x1

2 - SMALL DOWN CROSSBEAM x1

3 - SMALL LEFT CHAIR SIDE x1

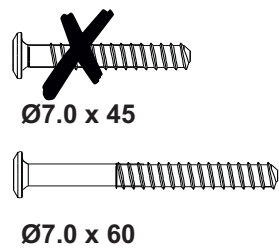
HARDWARE REQUIRED

B  GLUE 01

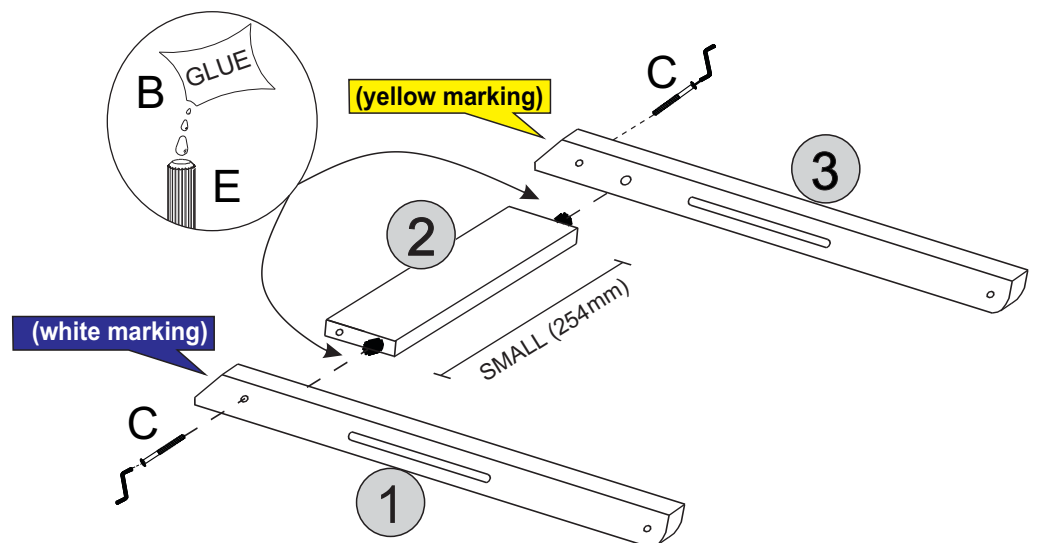
C  Ø7.0 x 60 02

TOOLS REQUIRED

F  01



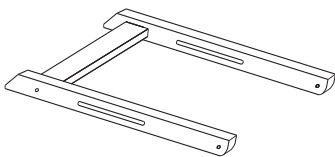
IMPORTANT
Please note. Do Not overtighten 'Bolt C'.



STEP 3

PARTS REQUIRED

4 - SEAT SUPPORT x2



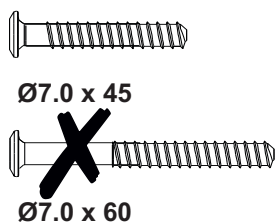
HARDWARE REQUIRED

A 02
Ø7.0 x 45

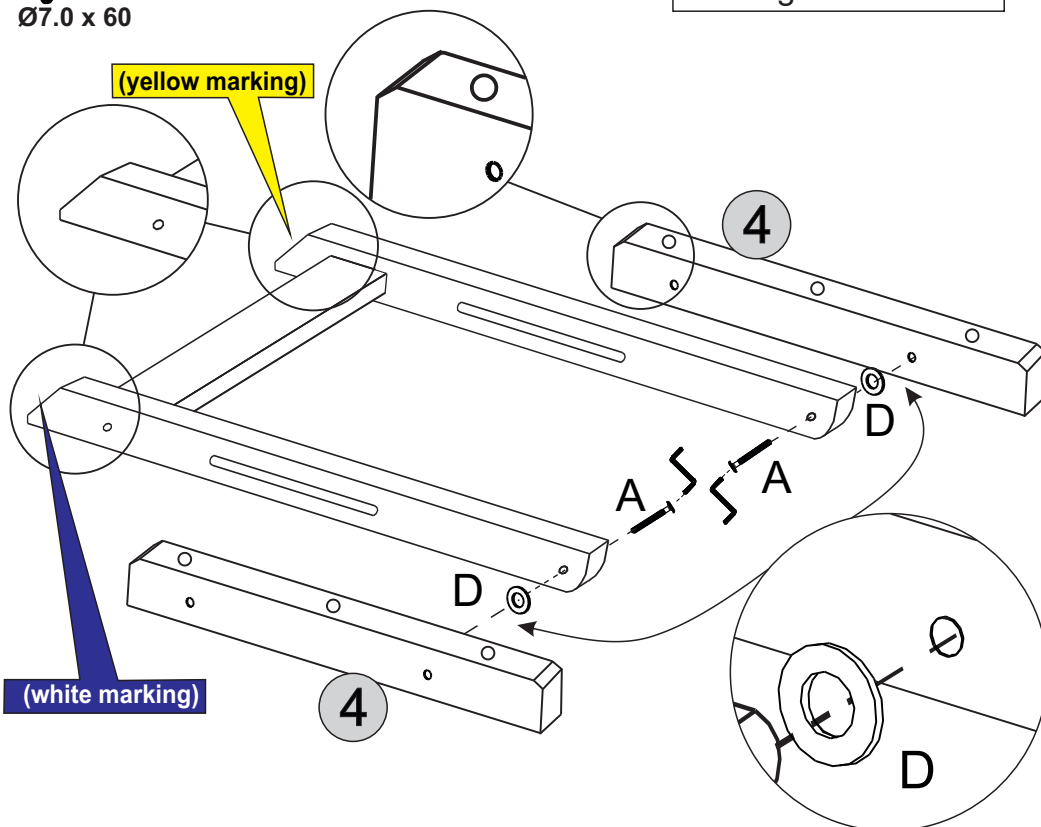
D 02

TOOLS REQUIRED

F 01



IMPORTANT
Please note. Do Not overtighten 'Bolt A'.



STEP 4

PARTS REQUIRED

5 - LARGE RIGHT CHAIR SIDE x1

6 - BACK/FRONT RAIL x2

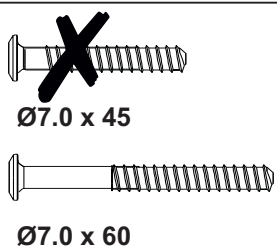
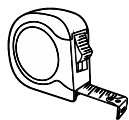
HARDWARE REQUIRED

B 01
GLUE

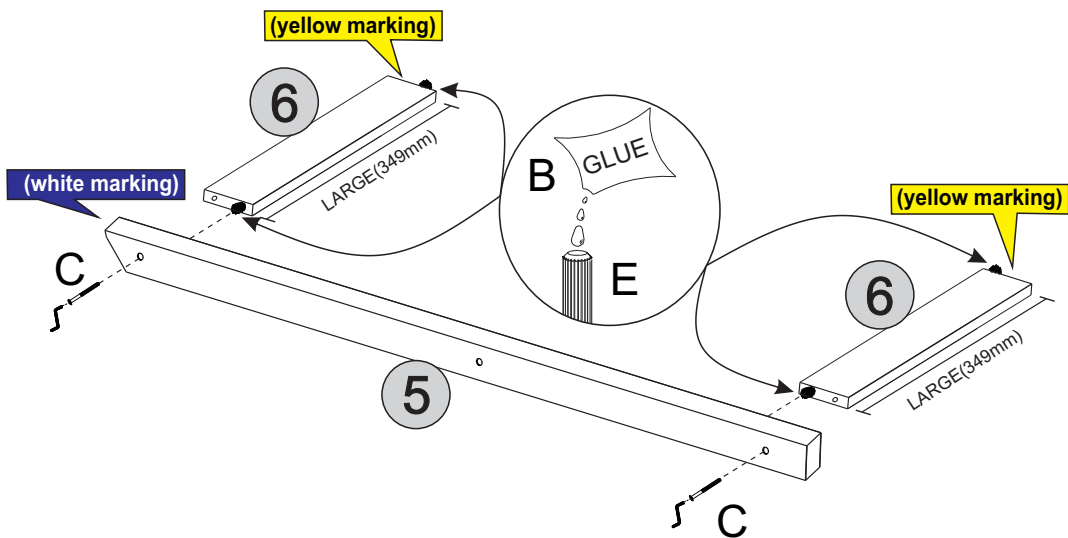
C 02
Ø7.0 x 60

TOOLS REQUIRED

F 01

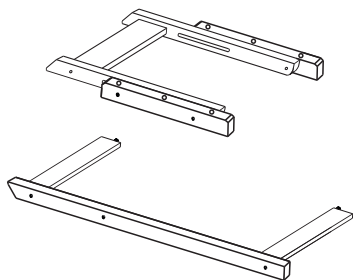


IMPORTANT
Please note. Do Not overtighten 'Bolt C'.

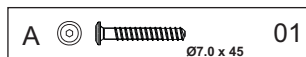


STEP 5

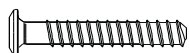
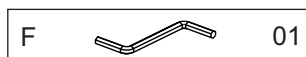
PARTS REQUIRED



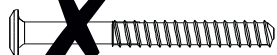
HARDWARE REQUIRED



TOOLS REQUIRED



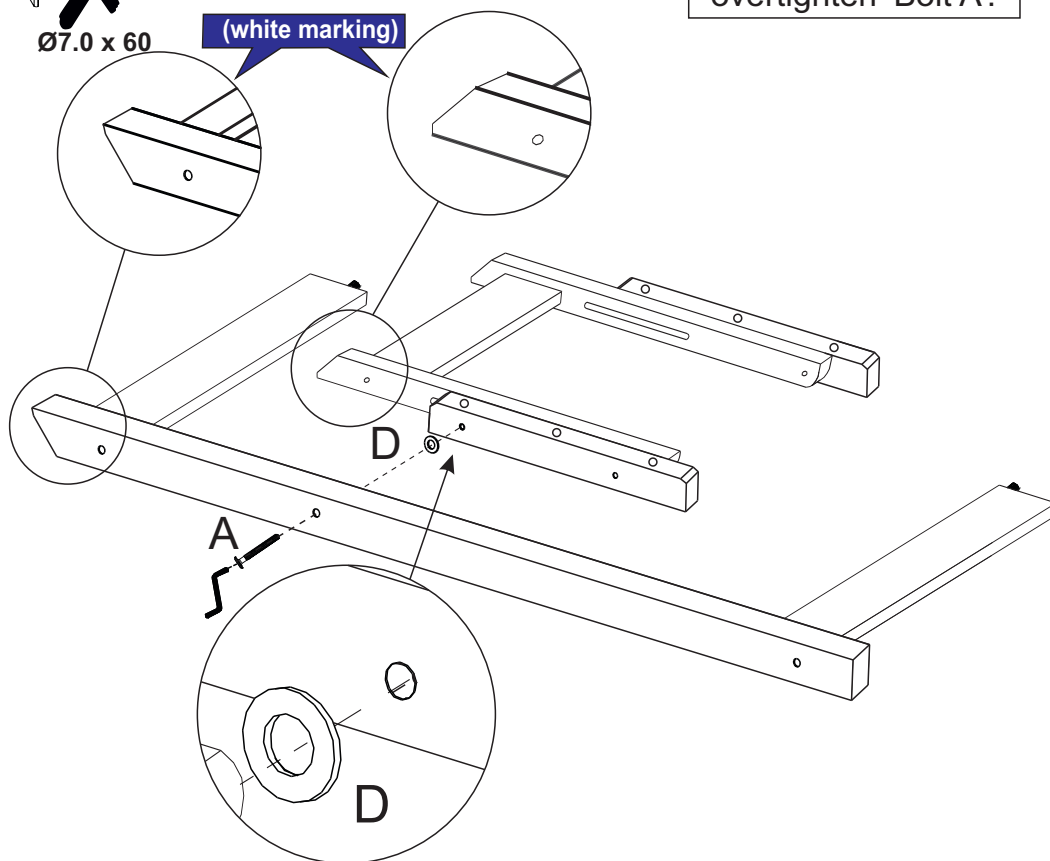
Ø7.0 x 45



Ø7.0 x 60

(white marking)

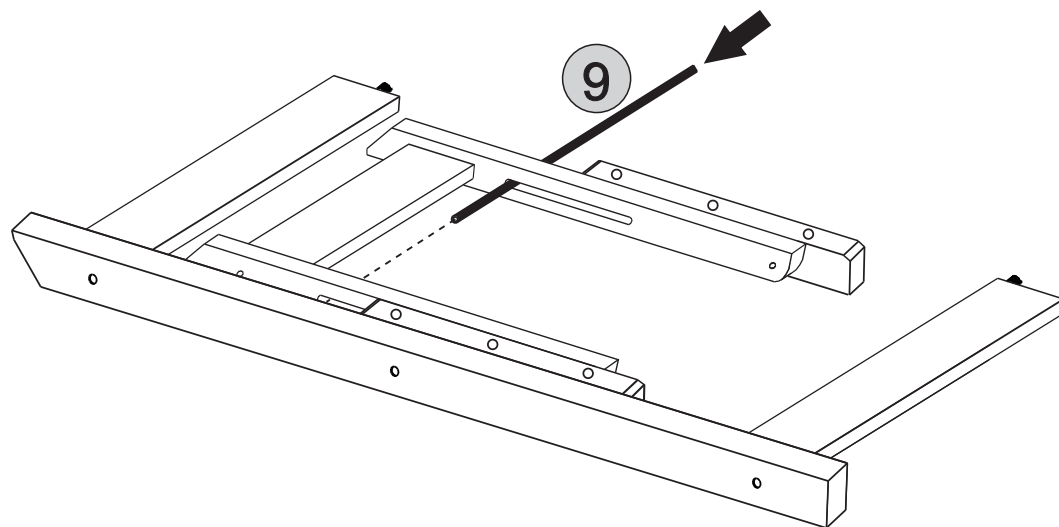
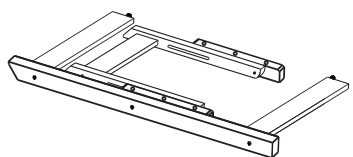
IMPORTANT
Please note. **Do Not** overtighten 'Bolt A'.



STEP 6

PARTS REQUIRED

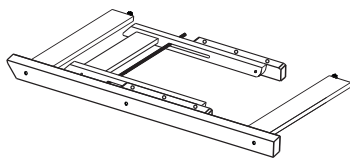
9 - BLACK METAL SUPPORT x1



STEP 7

PARTS REQUIRED

7 - LARGE LEFT CHAIR SIDE x1

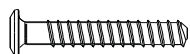


HARDWARE REQUIRED

- A 01
Ø7.0 x 45
- B GLUE 01
- C 02
Ø7.0 x 60
- D 01

TOOLS REQUIRED

- F 01

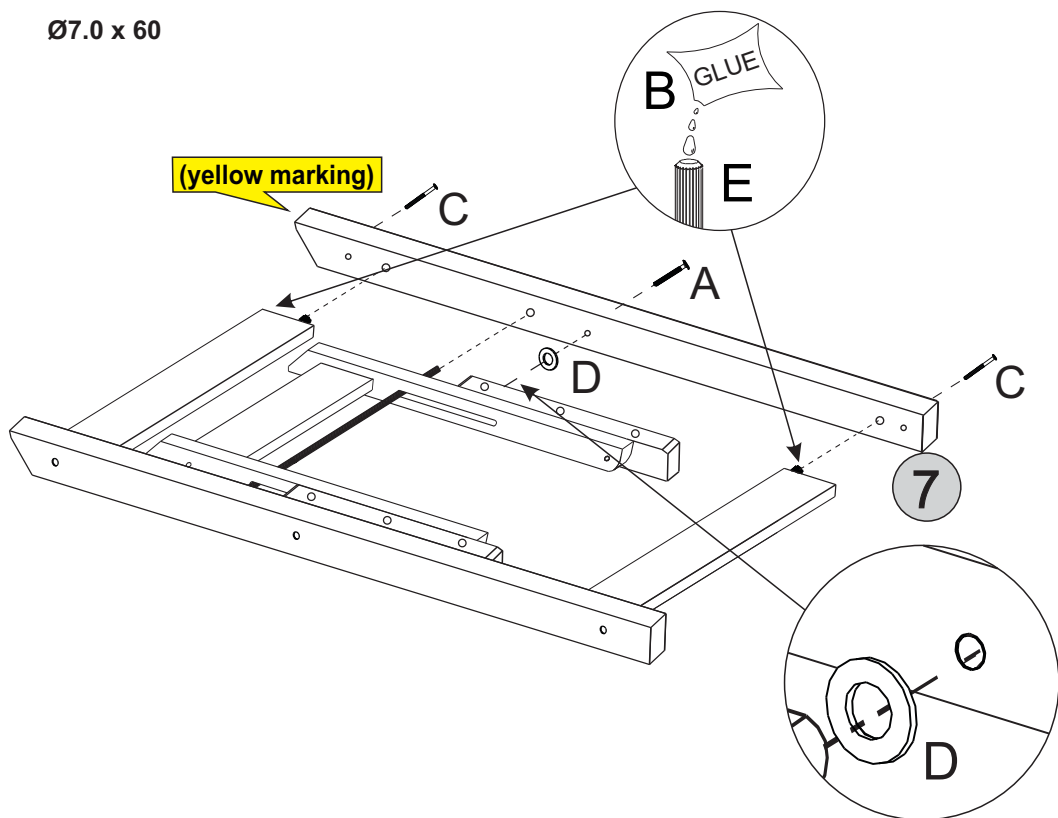


Ø7.0 x 45



Ø7.0 x 60

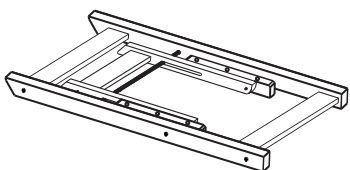
IMPORTANT
Please note. **Do Not**
overtighten Bolts.



STEP 8

PARTS REQUIRED

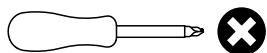
8 - CHAIR SEAT x1



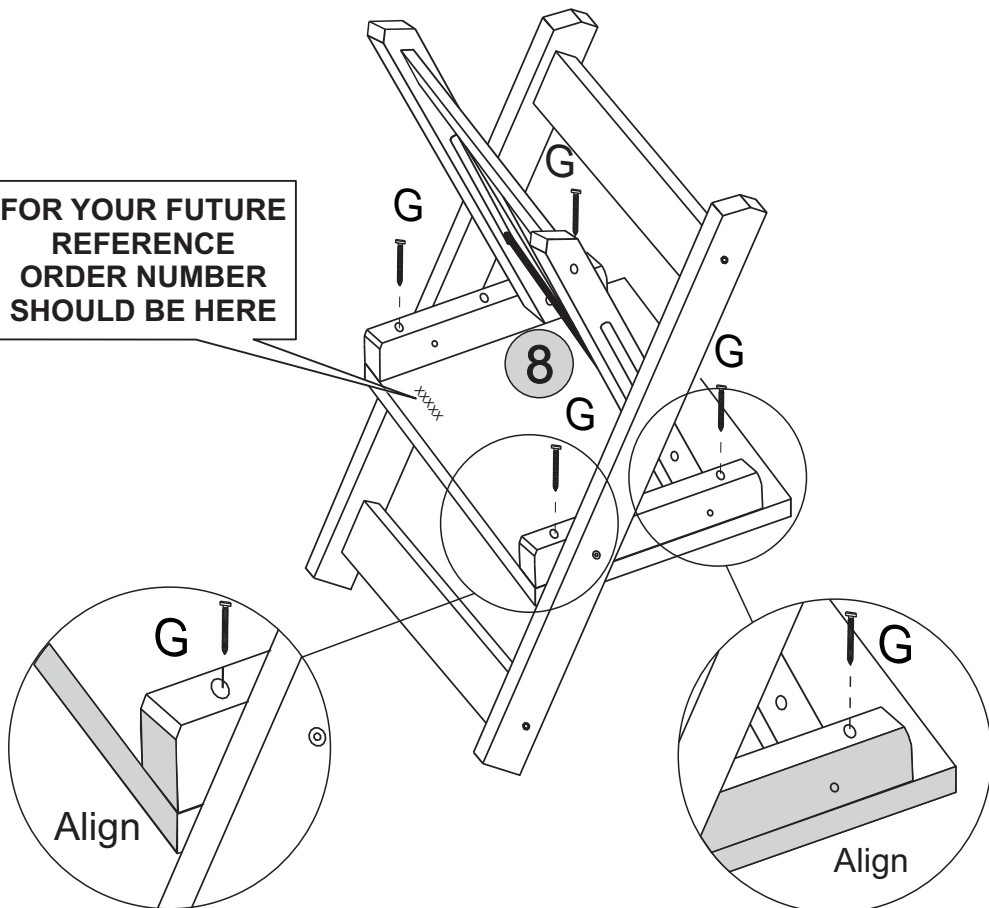
HARDWARE REQUIRED

- G 04
Ø3.5 x 35CP

TOOLS REQUIRED

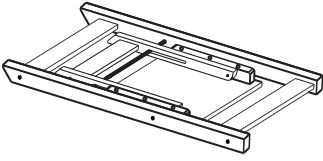


FOR YOUR FUTURE
REFERENCE
ORDER NUMBER
SHOULD BE HERE



STEP 9

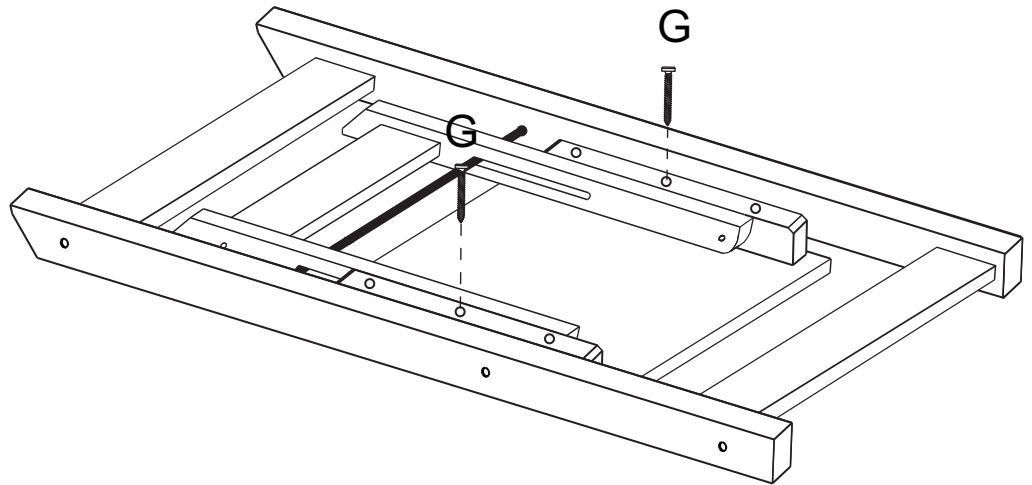
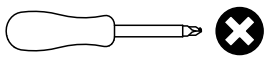
PARTS REQUIRED



HARDWARE REQUIRED



TOOLS REQUIRED



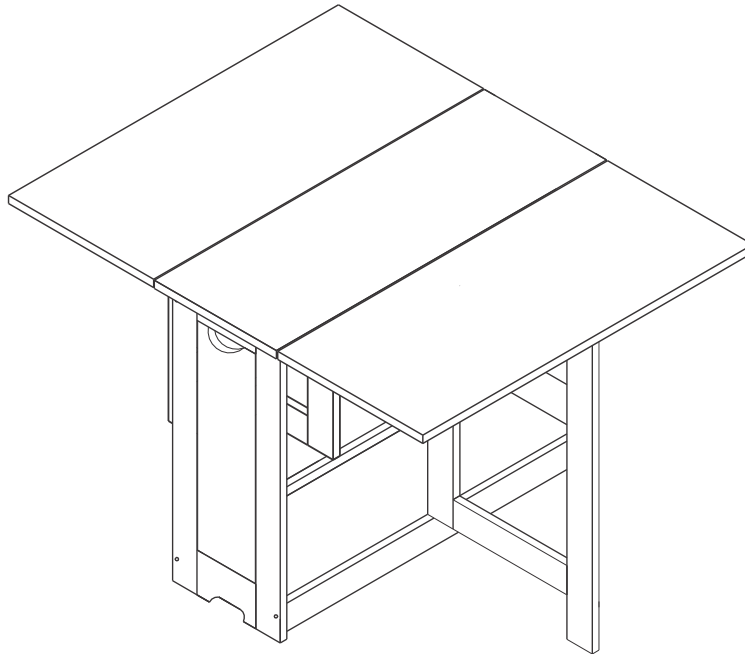
STEP 10



SANTOS BUTTERFLY DINING TABLE

ASSEMBLY INSTRUCTIONS

GREY SLATE/DISTRESSED WAXED PINE



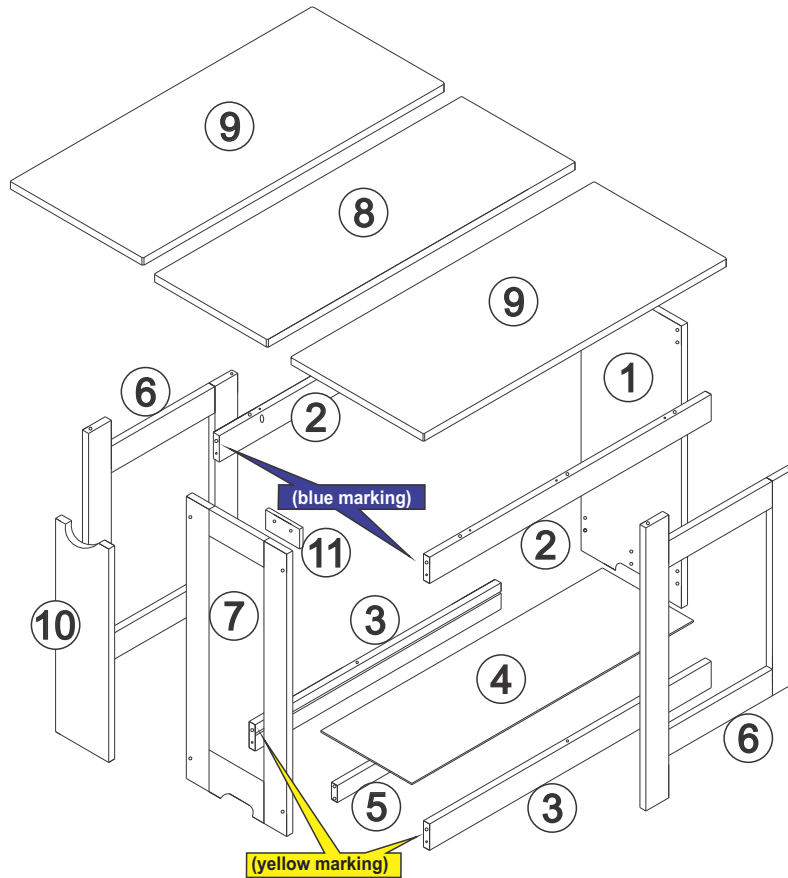
IMPORTANT

FOR DOMESTIC USE ONLY

PLEASE READ BEFORE YOU CONTINUE FURTHER

CARE AND MAINTENANCE

- After unpacking this product please keep the original packaging incase it needs to be returned for any reason.
- Please ensure all fittings and parts are present before commencing with assembly.
- We recommend that you lay a blanket or sheet on the floor to avoid damage to both your floor and the product.
- We strongly recommend that you keep children away from your work area.
- Assemble this product as close to its final position as possible.
- Never drag or push products as this could cause damage to the joints making it inferior.
- Do not drag or push items across your furniture as this may cause the surface to scratch.
- Do not place this product next to a radiator or in direct sunlight.
- Wood is a natural product and may expand if subjected to damp and may shrink or crack if subjected to heat. Therefore it is recommended that room temperature is maintained, with no sudden temperature fluctuations.
- Make sure any spillage is wiped off immediately.
- Do not place hot or chilled items directly onto the surface, use a place mat or marking will occur.
- For general cleaning use a soft cotton or microfibre cloth, and do not use detergents of any kind.
- Do not place on a wet or damp floor as staining may occur to your floor.
- From time to time it maybe necessary to tighten fittings, regular inspections should be carried out.



REQUIRED

Tools

Area

1500mm x 1500mm

Two People

Please Note:
The below parts have been number/colour coded to help identify them during assembly.

Parts List

Part Number	Part Code	Part Description	Quantity
1	S400-401-169-KK1-01T	BACK PANEL (NUMBER)	1
2	S400-401-169-KK1-02T	UPPER FRAME (BLUE MARKING)	2
3	S400-401-169-KK1-03T	LOWER CROSSBEAM (YELLOW MARKING)	2
4	S400-401-169-KK1-04T	BASE (NUMBER)	1
5	S400-401-169-KK1-05T	BASE SUPPORT (NUMBER)	1
6	S400-401-169-KK1-06T	TOP SUPPORT (NUMBER)	2
7	S400-401-169-KK1-07T	FRONT FRAME (NUMBER)	1
8	S400-401-169-KK1-08T	CENTRE TOP PANEL (NUMBER)	1
9	S400-401-169-KK1-09T	SIDE TOP PANEL (NUMBER)	2
10	S400-401-169-KK1-10T	DOOR (NUMBER)	1
11	S400-401-169-KK1-11T	DOOR STOP (NUMBER)	1

Hardware List



A	1/+ Ø7.0 x 50	08	E		06	I		02
B	1/+ Ø3,5 x 35CP	06	F	1/+	06	J		02
C	2/+ Ø8 x 30	18	G	GLUE	01	K	1/+	06
D	1/+ Ø3,5 x 14	10	H		01	L	1/+ Ø10 x 10	06
						M	2/+ Ø3,9 x 19	24

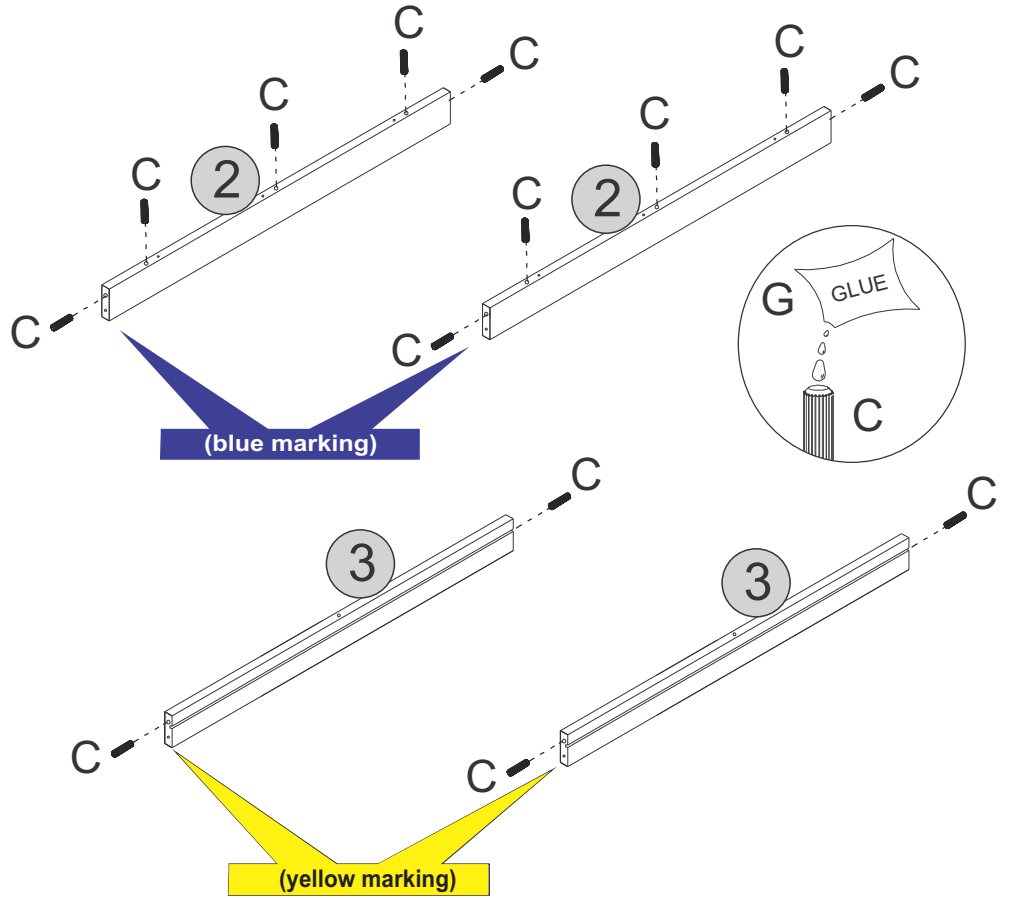
STEP 1

PARTS REQUIRED

2 - UPPER FRAME	x2
3 - LOWER CROSSBEAM	x2

HARDWARE REQUIRED

C	 14
G	 GLUE 01



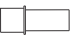


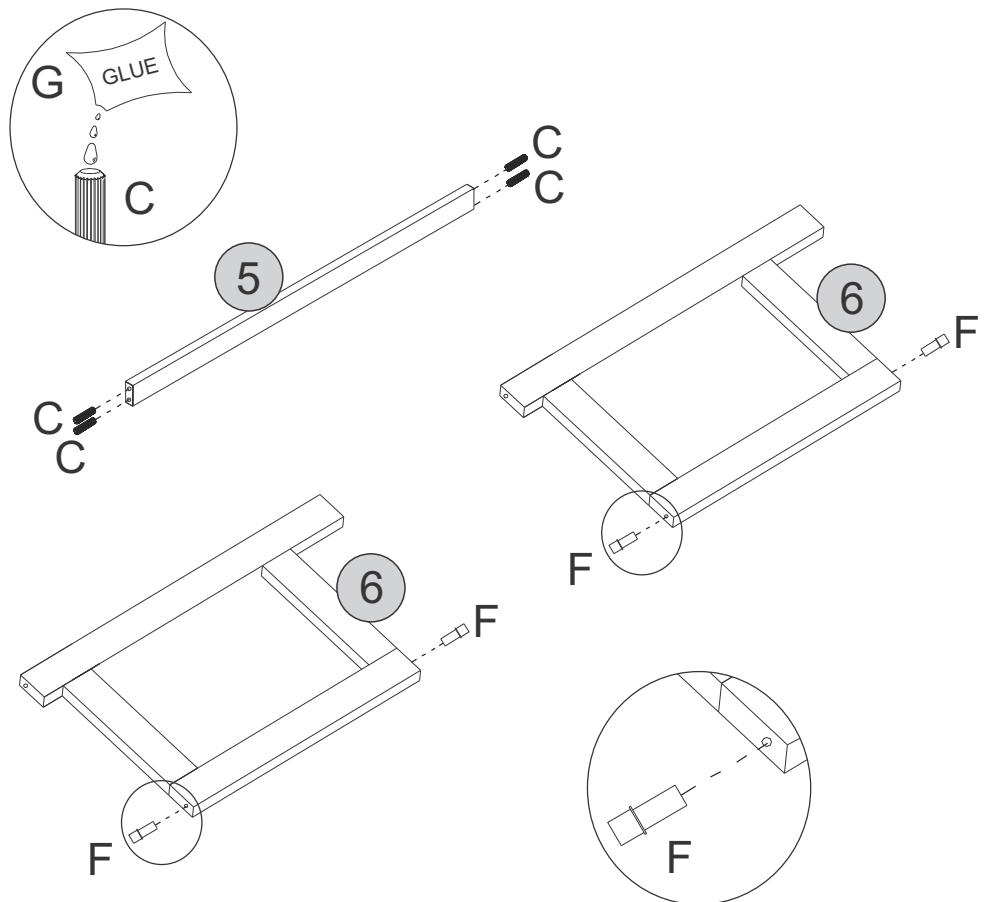
STEP 2

PARTS REQUIRED

5 - BASE SUPPORT	x1
6 - TOP SUPPORT	x2

HARDWARE REQUIRED

C	 04
G	 GLUE 01
F	 04



STEP 3

PARTS REQUIRED

7 - FRONT FRAME x1

10 - DOOR x1

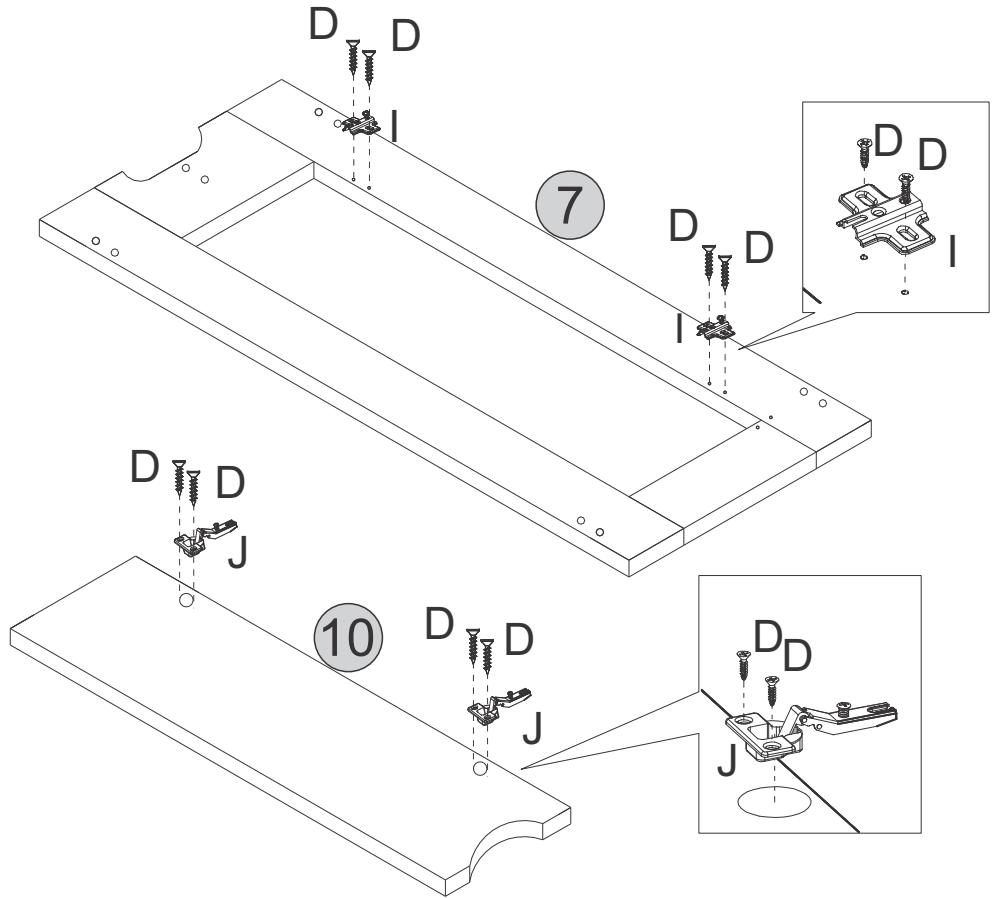
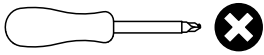
HARDWARE REQUIRED

D  Ø3,5 x 14 08

I  02

J  02

TOOLS REQUIRED



STEP 4

PARTS REQUIRED

7 - FRONT FRAME x1

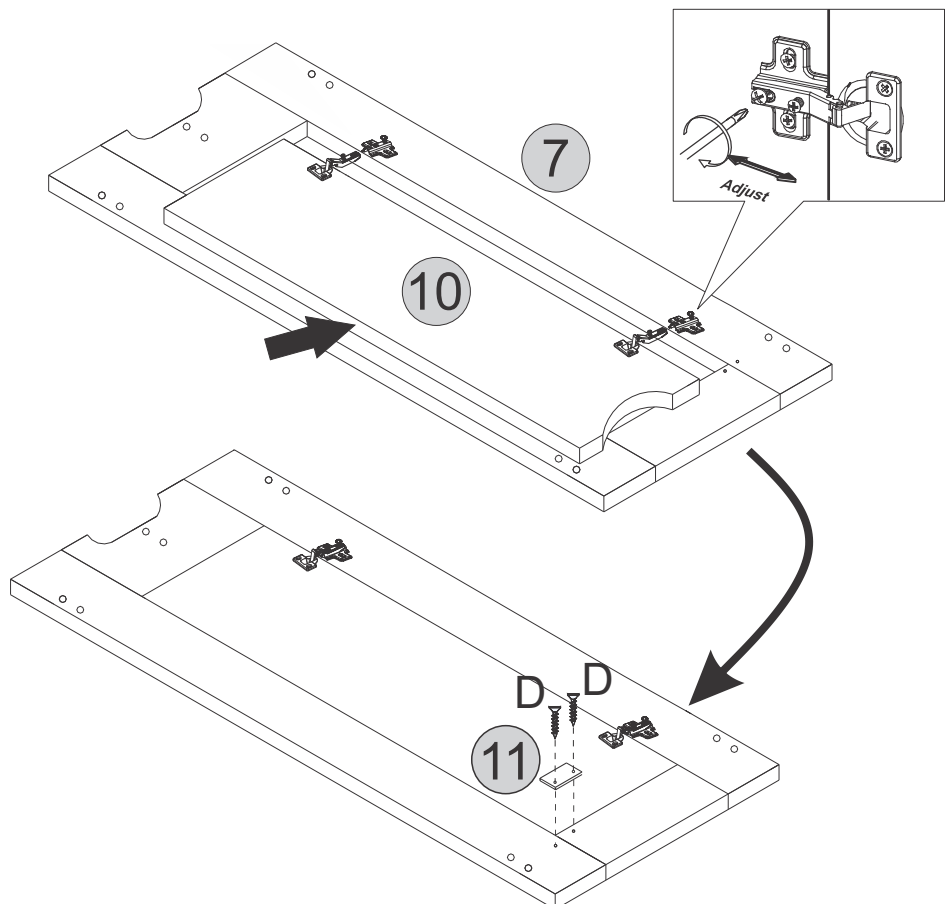
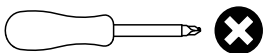
10 - DOOR x1

11 - DOOR STOP x1

HARDWARE REQUIRED

D  Ø3,5 x 14 02

TOOLS REQUIRED




STEP 5

PARTS REQUIRED

1 - BACK PANEL x1

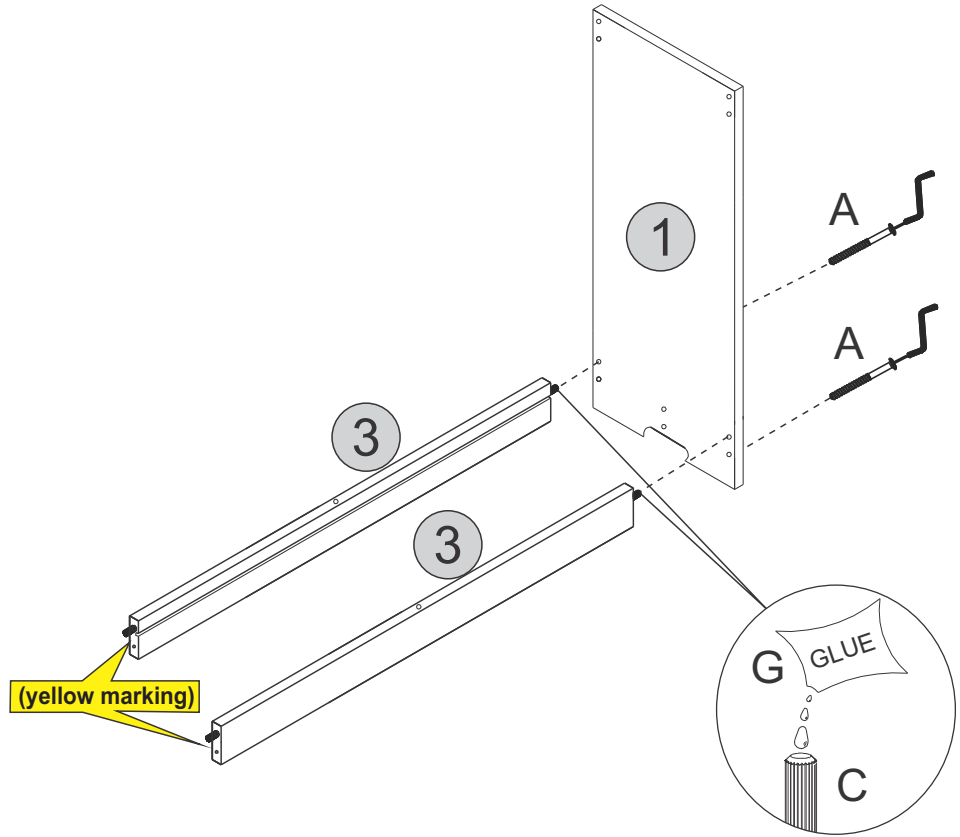
3 - LOWER CROSSBEAM x2

HARDWARE REQUIRED

A  02
Ø7.0 x 50

TOOLS REQUIRED

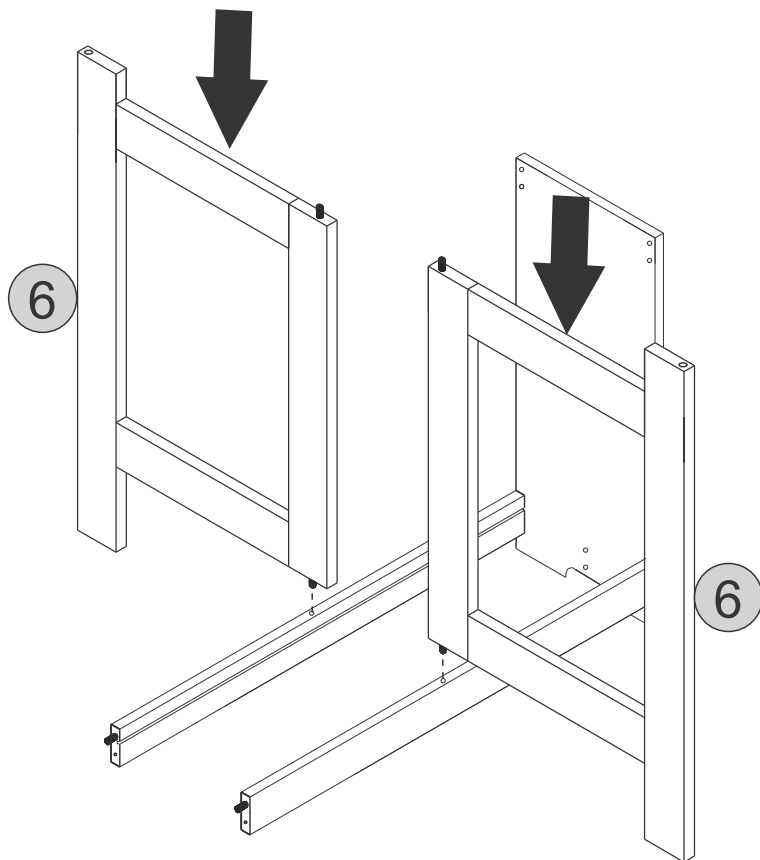
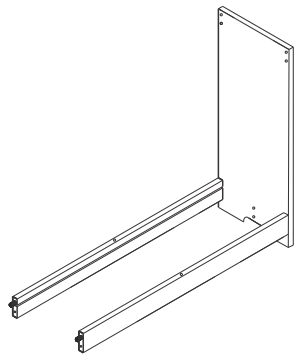
H  01



STEP 6

PARTS REQUIRED

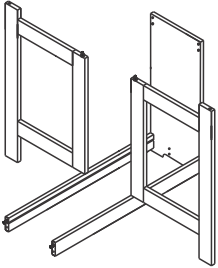
6 - TOP SUPPORT x2



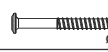
STEP 7

PARTS REQUIRED

2 - UPPER FRAME x2

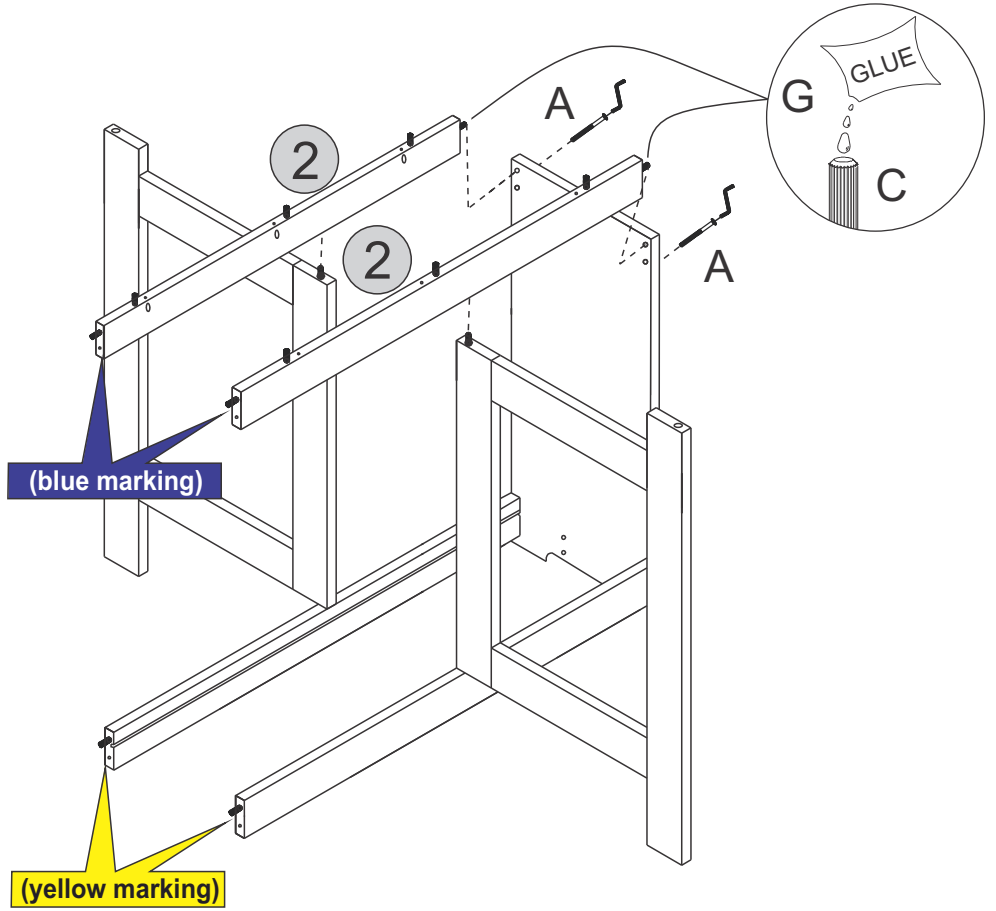


HARDWARE REQUIRED

A  02
Ø7.0 x 50

TOOLS REQUIRED

H  01

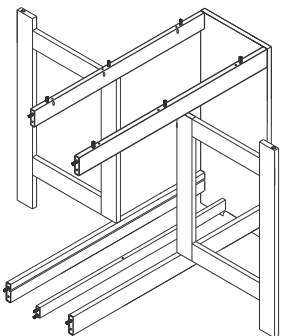


STEP 8

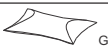
PARTS REQUIRED

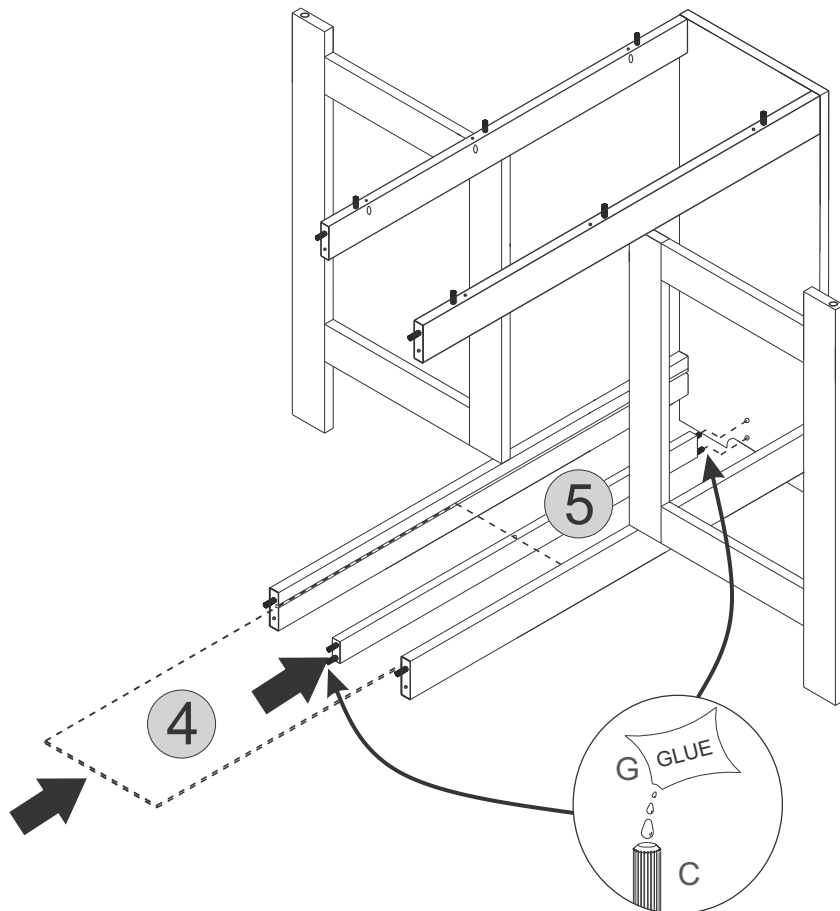
4 - BASE x1

5 - BASE SUPPORT x1



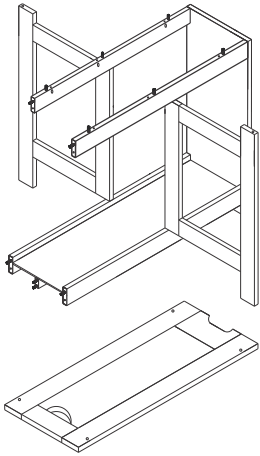
HARDWARE REQUIRED

G  01
GLUE

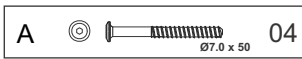


STEP 9

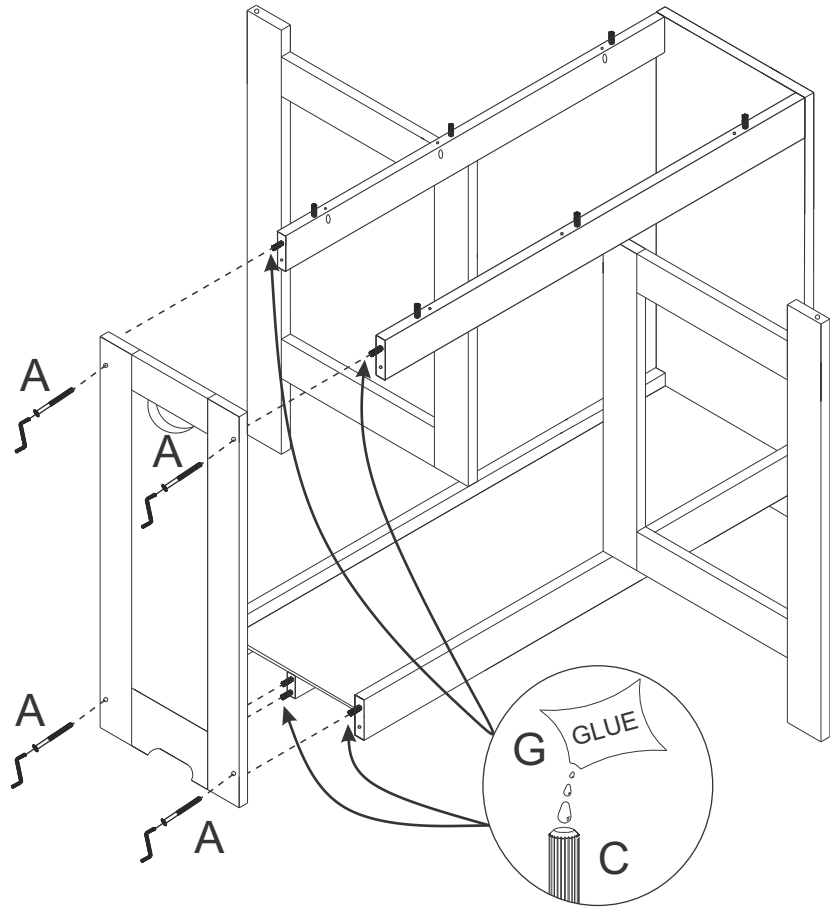
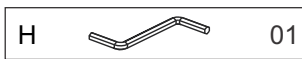
PARTS REQUIRED



HARDWARE REQUIRED

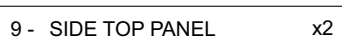


TOOLS REQUIRED

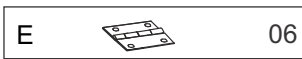


STEP 10

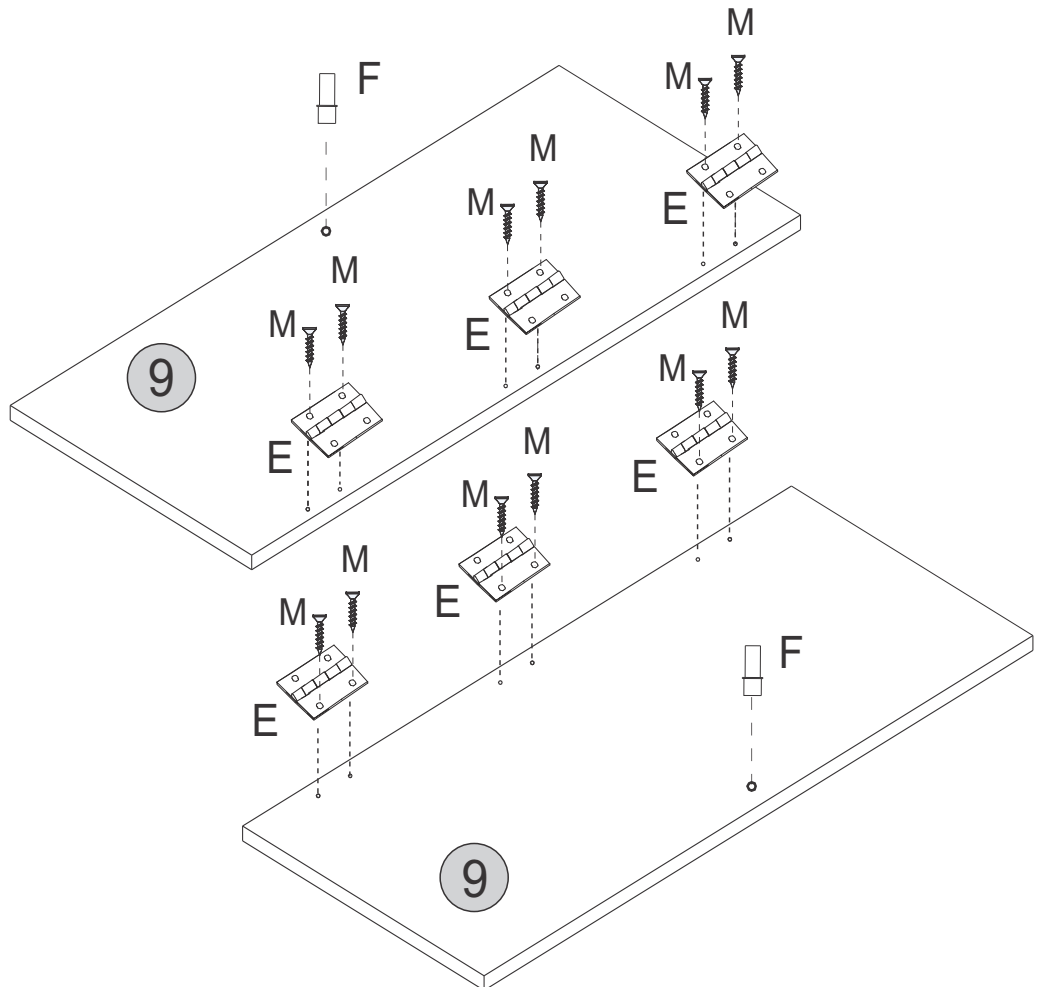
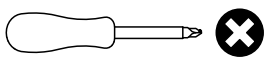
PARTS REQUIRED



HARDWARE REQUIRED



TOOLS REQUIRED



STEP 11

PARTS REQUIRED

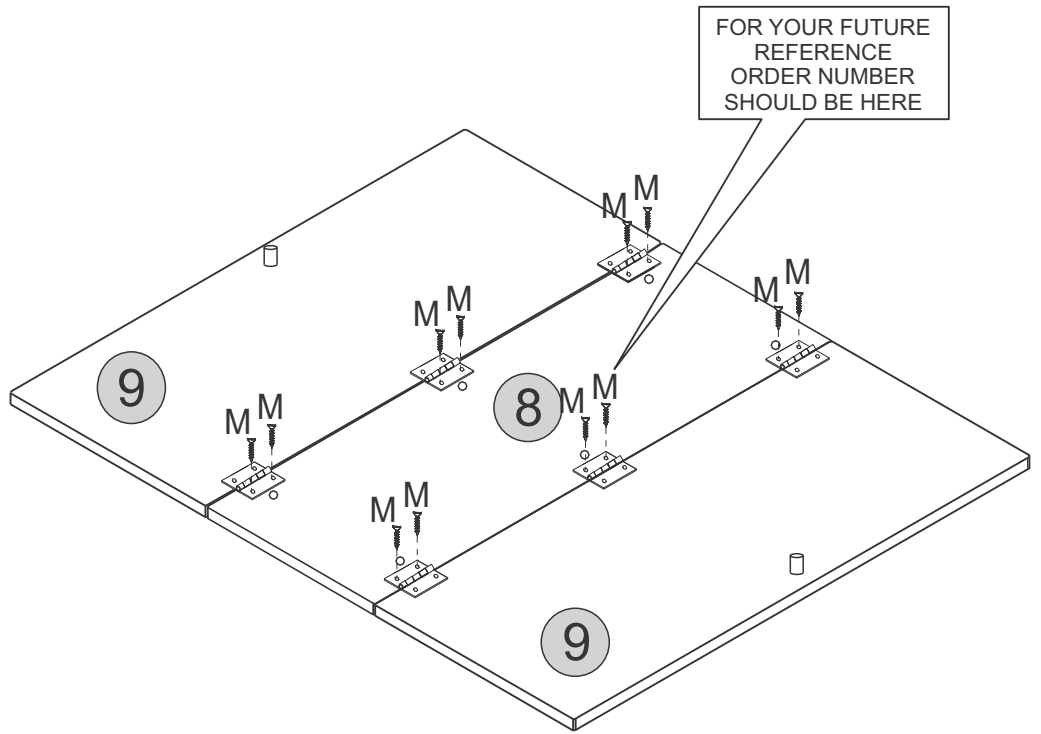
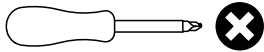
8 - CENTRE TOP PANEL x1

9 - SIDE TOP PANEL x2

HARDWARE REQUIRED

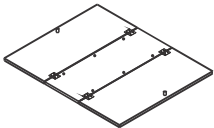
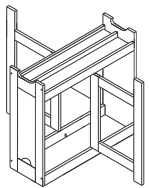
M  Ø3,9 x 19 12

TOOLS REQUIRED



STEP 12

PARTS REQUIRED



HARDWARE REQUIRED

B  Ø3,5 x 35CP 06

K  06

L  Ø10 x 10 06

TOOLS REQUIRED

