

# BENDAL DINING CHAIR ASSEMBLY INSTRUCTIONS



**MAX CHAIR  
WEIGHT**

**IMPORTANT  
FOR DOMESTIC USE ONLY  
PLEASE READ BEFORE YOU CONTINUE FURTHER**

THE PRODUCT YOU HAVE PURCHASED WILL GIVE YOU MANY YEARS OF SERVICE IF YOU FOLLOW THE GUIDELINES FOR ITS SAFE ASSEMBLY AND PERIODIC MAINTENANCE AND CLEANING .

ASSEMBLE ON A SOFT CLEAN SURFACE

DO NOT USE ANY TOOLS OTHER THAN THOSE SHOWN.

ANY SPANNERS OR ALLEN KEYS REQUIRED ARE INCLUDED WITH THE FITTINGS KIT.

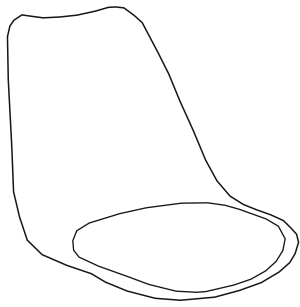
DO NOT FOR ANY REASON USE A POWER TOOL TO ASSEMBLE THIS PRODUCT. ITS USE WILL INVALIDATE ANY CLAIM YOU MAY HAVE AND COULD MAKE THIS PRODUCT UNSAFE.

DEPENDING ON THE AMOUNT OF USE THIS PRODUCT RECEIVES IT MAY BE NECESSARY TO TIGHTEN UP THE FIXINGS FROM TIME TO TIME . THIS IS COMPLETELY NORMAL FOR ANY FLAT PACK FURNITURE.  
DO NOT OVERTIGHTEN FIXINGS.

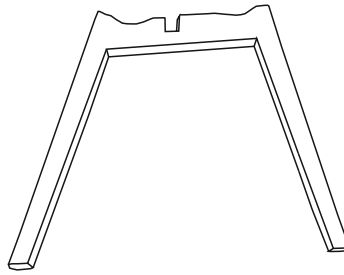
FOR CLEANING, YOU MAY USE A DAMP CLOTH (NOT WET) DO NOT USE POLISH, DETERGENT OR CHEMICAL CLEANERS.

THIS PRODUCT MAY STAIN OR MARK IF ALLOWED TO COME INTO CONTACT WITH WET OR DAMP OBJECTS.

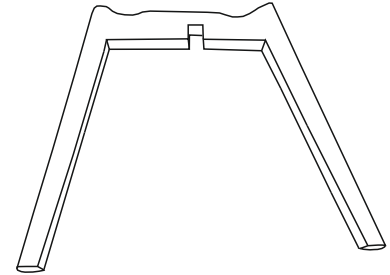
THE SURFACE OF THIS ITEM IS NOT HEAT RESISTANT. ALWAYS USE A PLACE MAT UNDER HOT OR COLD ITEMS TO PREVENT MARKING.



1



2



3

## PARTS LIST

Part Number	Part Code	Part Description	Quantity
1	S400-402-136-SF1-01	Chair Seat	1
2	S400-402-136-SF1-02	Chair Leg Bottom	1
3	S400-402-136-SF1-03	Chair Leg Top	1

## HARDWARE LIST

REF		HARDWARE NAME	QTY
A		Long Bolt	4PCS
B		Short Bolt	1PC
C		Washer	5PCS
D		Felt Pad	4PCS
E		Allen Key	1PC

PLEASE CHECK THAT YOU HAVE ALL THE PARTS LISTED BEFORE YOU START ASSEMBLING. IF YOU DO FIND THAT SOMETHING IS MISSING, DO NOT CONTINUE ASSEMBLY. PLEASE CONTACT YOUR SUPPLIER IMMEDIATELY.


# STEP 1

**PARTS REQUIRED**

2 - CHAIR LEG BOTTOM x1

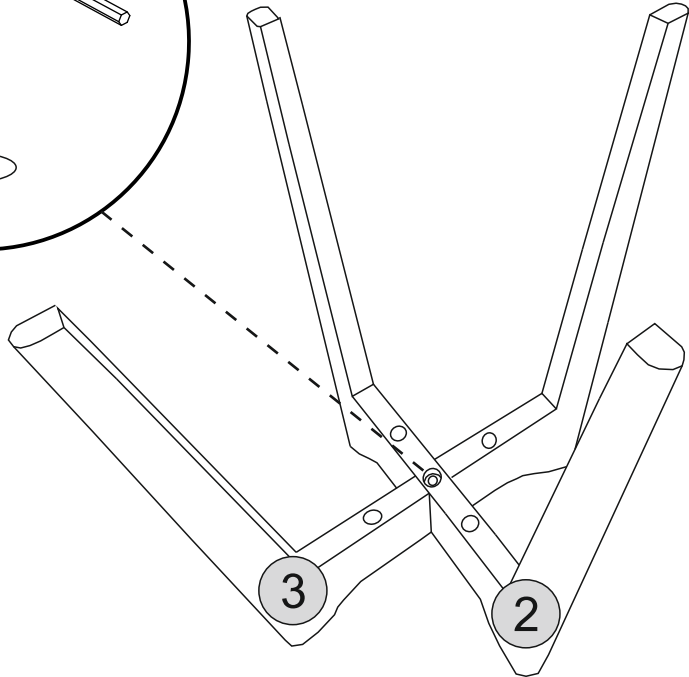
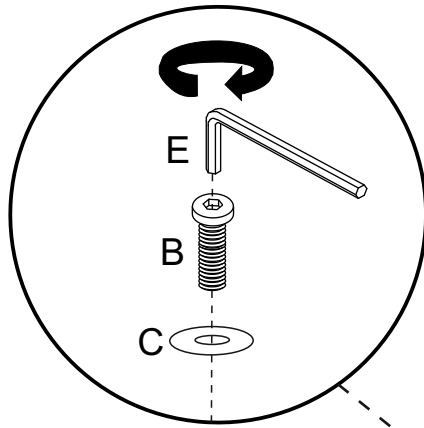
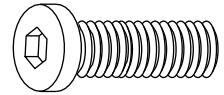
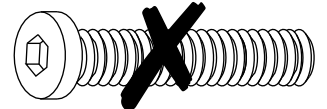
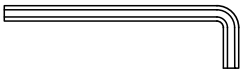
3 - CHAIR LEG TOP x1

**HARDWARE REQUIRED**

B  01

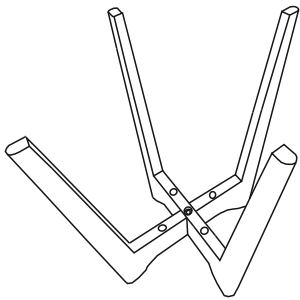
C  01

**TOOLS REQUIRED**



# STEP 2

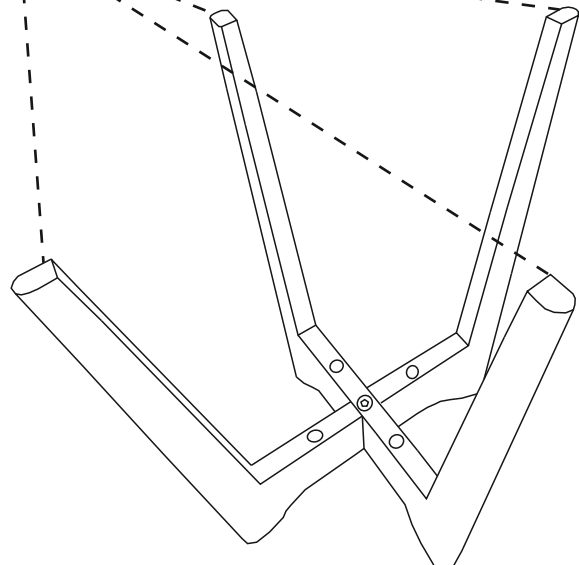
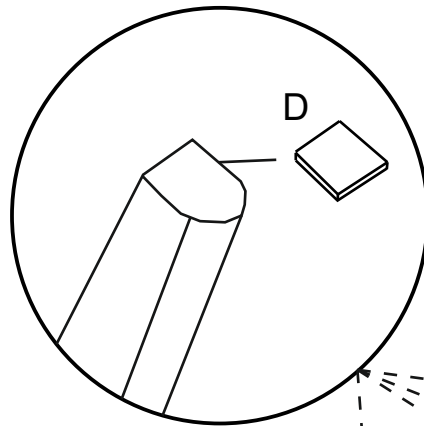
**PARTS REQUIRED**



**HARDWARE REQUIRED**

D  04

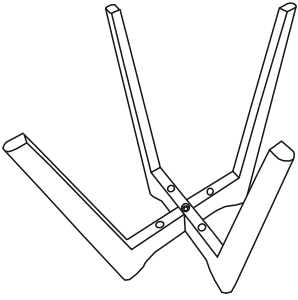
**TOOLS REQUIRED**



# STEP 3

PARTS REQUIRED

1 - CHAIR SEAT x1

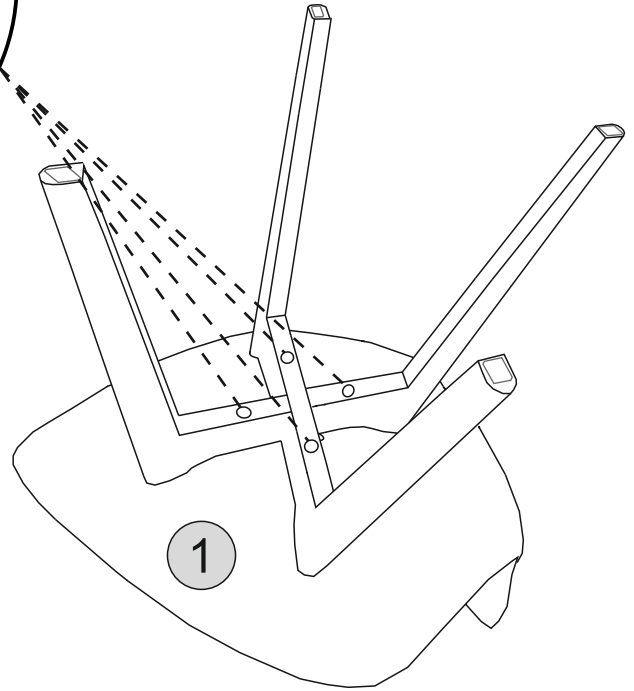
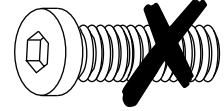
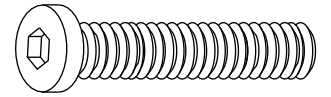
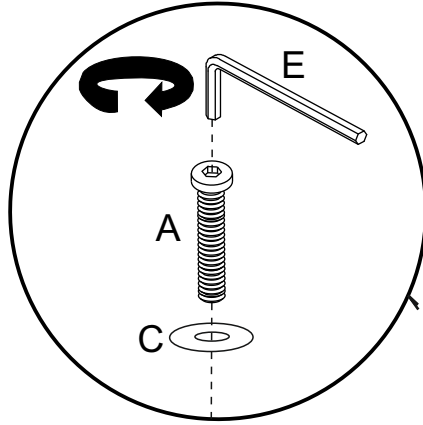


HARDWARE REQUIRED

A  04

C  04

TOOLS REQUIRED

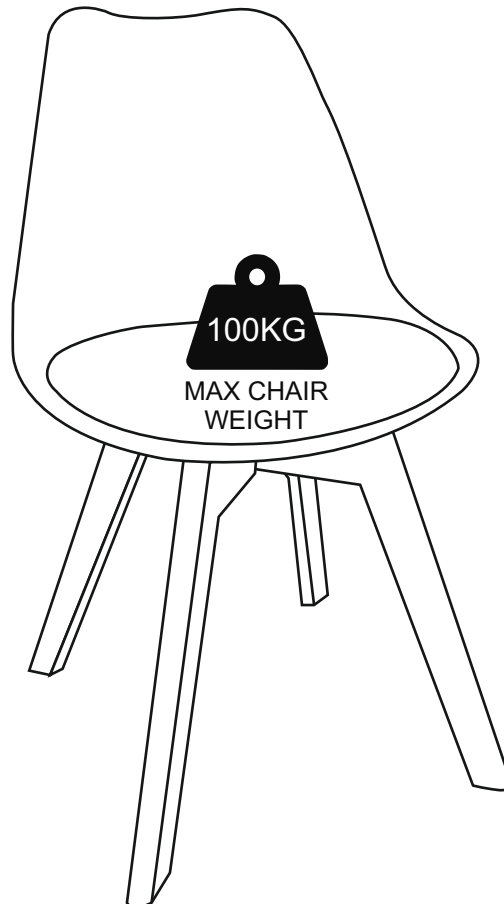


# STEP 4

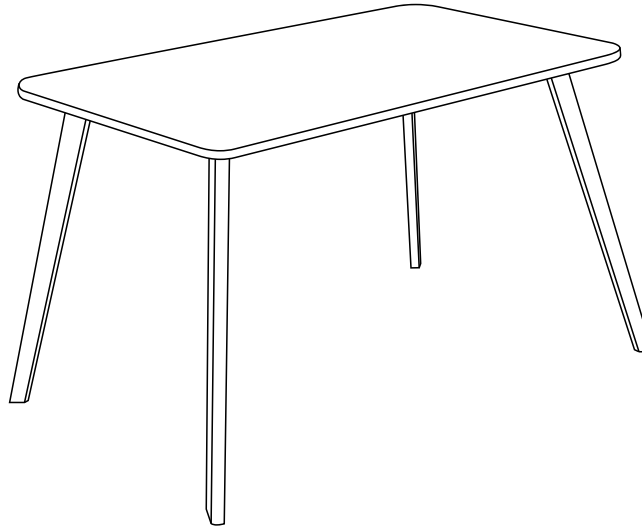
PARTS REQUIRED

HARDWARE REQUIRED

TOOLS REQUIRED



# BENDAL DINING TABLE ASSEMBLY INSTRUCTIONS



## **IMPORTANT FOR DOMESTIC USE ONLY PLEASE READ BEFORE YOU CONTINUE FURTHER**

THE PRODUCT YOU HAVE PURCHASED WILL GIVE YOU MANY YEARS OF SERVICE IF YOU FOLLOW THE GUIDELINES FOR ITS SAFE ASSEMBLY AND PERIODIC MAINTENANCE AND CLEANING .

ASSEMBLE ON A SOFT CLEAN SURFACE

DO NOT USE ANY TOOLS OTHER THAN THOSE SHOWN.

ANY SPANNERS OR ALLEN KEYS REQUIRED ARE INCLUDED WITH THE FITTINGS KIT.

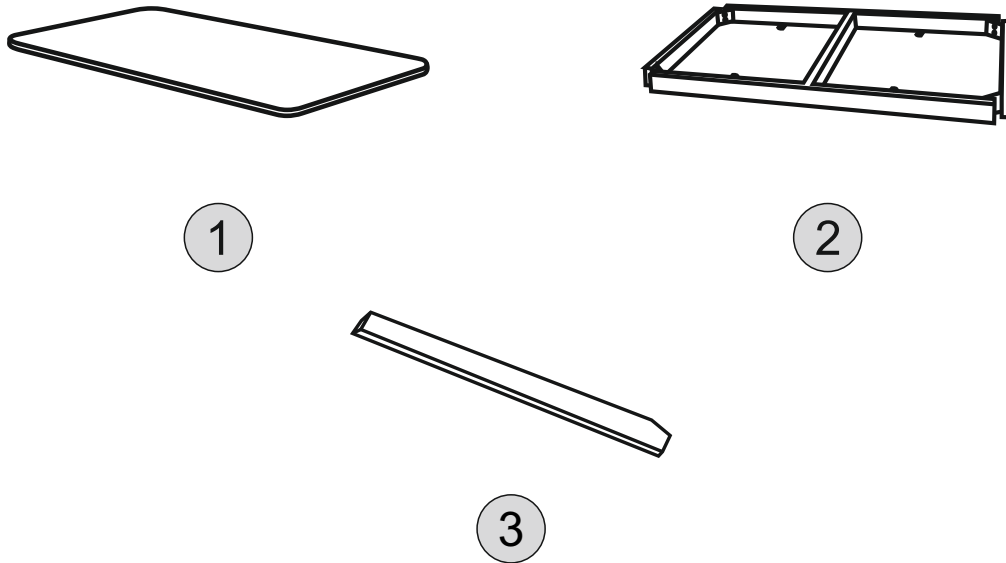
DO NOT FOR ANY REASON USE A POWER TOOL TO ASSEMBLE THIS PRODUCT. ITS USE WILL INVALIDATE ANY CLAIM YOU MAY HAVE AND COULD MAKE THIS PRODUCT UNSAFE.

DEPENDING ON THE AMOUNT OF USE THIS PRODUCT RECEIVES IT MAY BE NECESSARY TO TIGHTEN UP THE FIXINGS FROM TIME TO TIME . THIS IS COMPLETELY NORMAL FOR ANY FLAT PACK FURNITURE.  
DO NOT OVERTIGHTEN FIXINGS.

FOR CLEANING, YOU MAY USE A DAMP CLOTH (NOT WET) DO NOT USE POLISH, DETERGENT OR CHEMICAL CLEANERS.

THIS PRODUCT MAY STAIN OR MARK IF ALLOWED TO COME INTO CONTACT WITH WET OR DAMP OBJECTS.





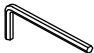

THE SURFACE OF THIS ITEM IS NOT HEAT RESISTANT. ALWAYS USE A PLACE MAT UNDER HOT OR COLD ITEMS TO PREVENT MARKING.



### **PARTS LIST**

<b>Part Number</b>	<b>Part Code</b>	<b>Part Description</b>	<b>Quantity</b>	<b>Carton</b>
1	S400-403-062-SF1-01	Table Top	1	1/1
2	S400-403-062-SF1-02	Table Frame	1	1/1
3	S400-403-062-SF1-03	Table Leg	4	1/1

### **HARDWARE LIST**

<b>REF</b>		<b>HARDWARE NAME</b>	<b>QTY</b>
A		Bolts M6*16mm	4PCS
B		Bolts M8*35mm	8PCS
C		Washer M6*16mm	4PCS
D		Washer M8*16mm	8PCS
E		Allen Key	1PC
F		Spring Washer	4PCS

**PLEASE CHECK THAT YOU HAVE ALL THE PARTS LISTED BEFORE YOU START ASSEMBLING. IF YOU DO FIND THAT SOMETHING IS MISSING, DO NOT CONTINUE ASSEMBLY. PLEASE CONTACT YOUR SUPPLIER IMMEDIATELY.**

# STEP 1

## PARTS REQUIRED

2 - TABLE FRAME x1

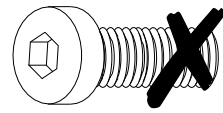
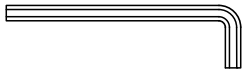
3 - TABLE LEG x4

## HARDWARE REQUIRED

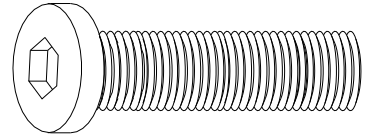
B  08

D  08

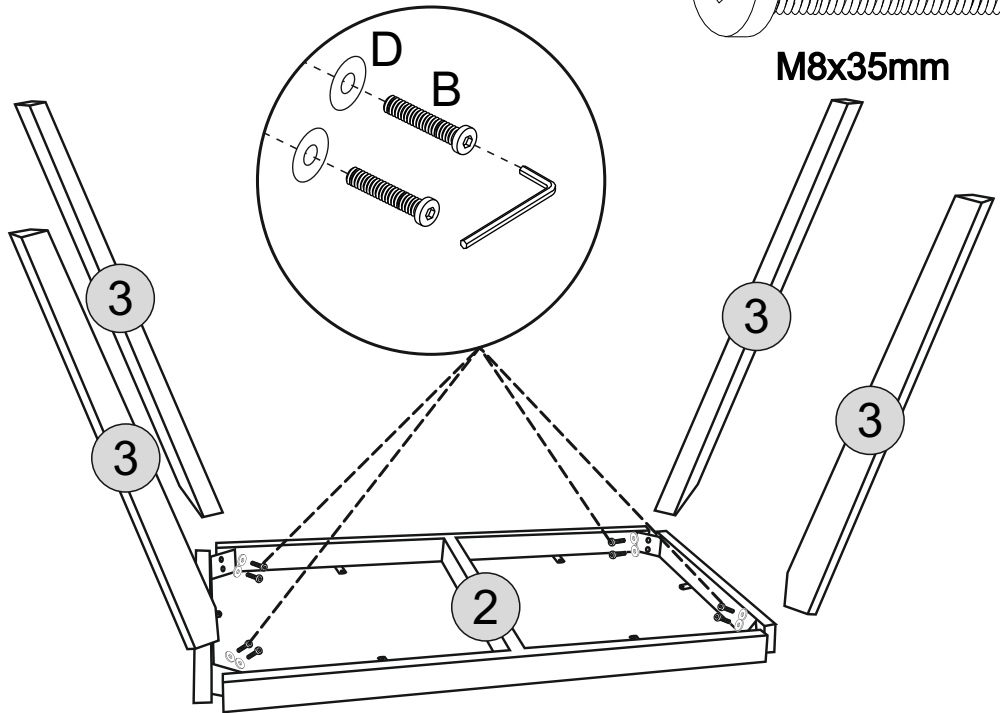
## TOOLS REQUIRED



M6x16mm



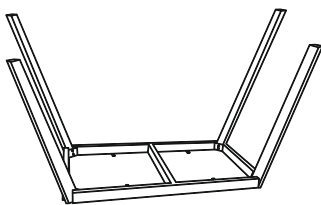
M8x35mm




# STEP 2

## PARTS REQUIRED

1 - TABLE TOP x1



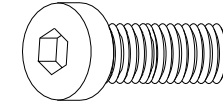
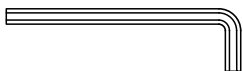
## HARDWARE REQUIRED

A  04

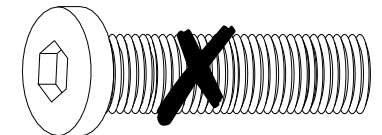
C  04

F  04

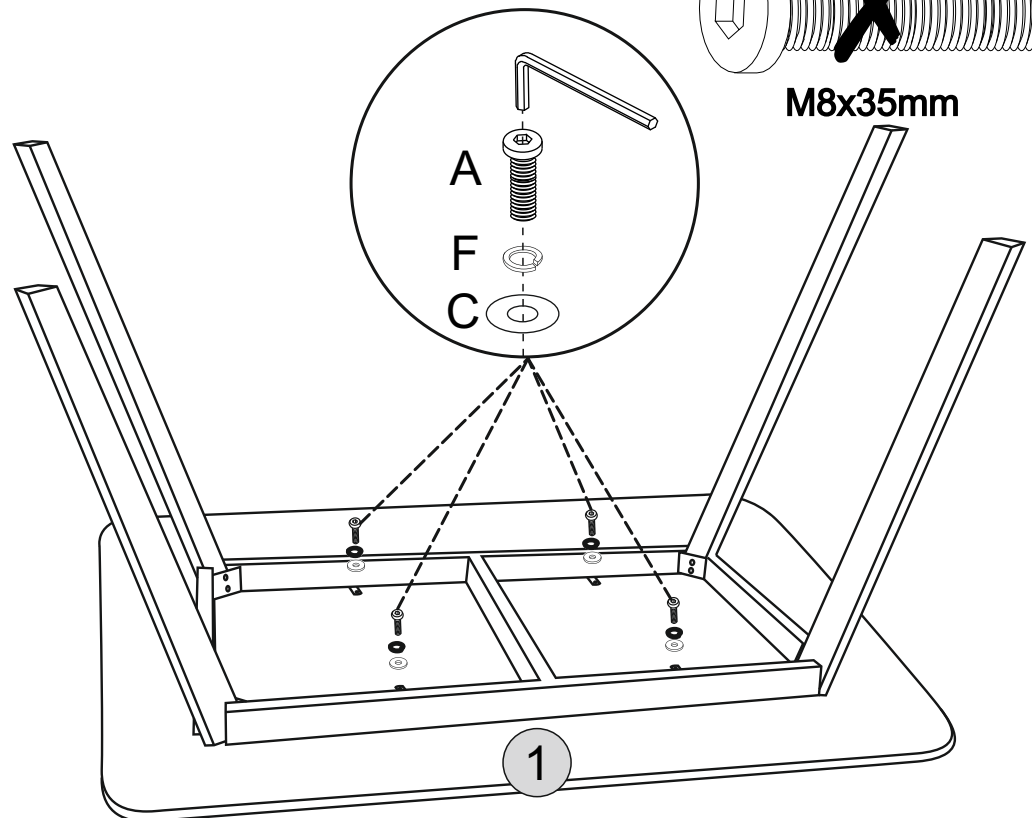
## TOOLS REQUIRED



M6x16mm



M8x35mm



# STEP 3

PARTS REQUIRED

HARDWARE REQUIRED

TOOLS REQUIRED

