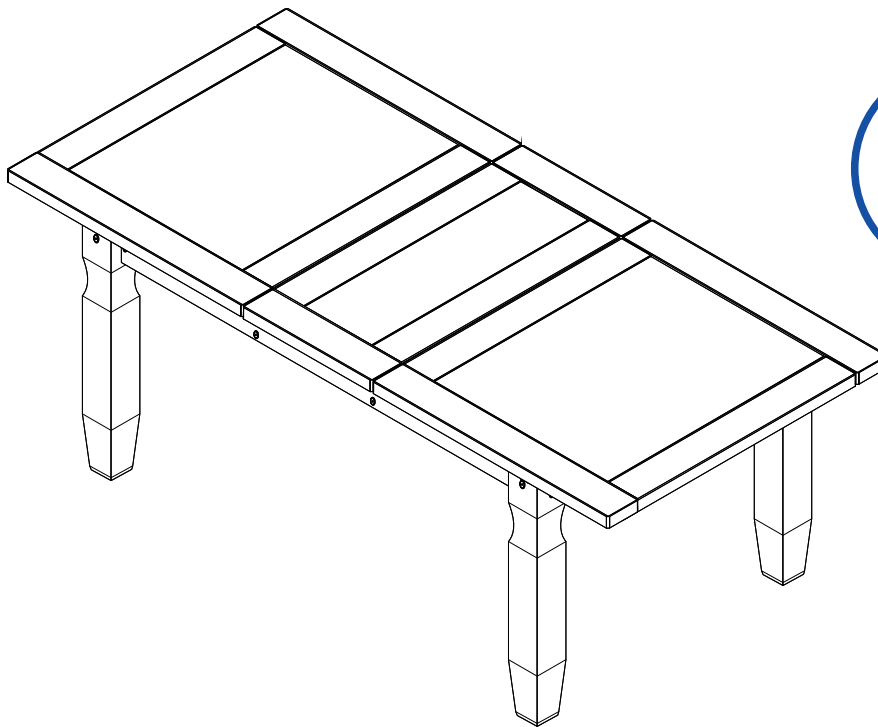
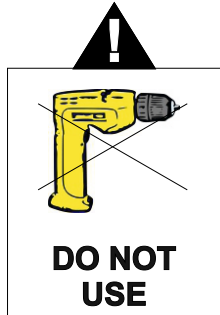


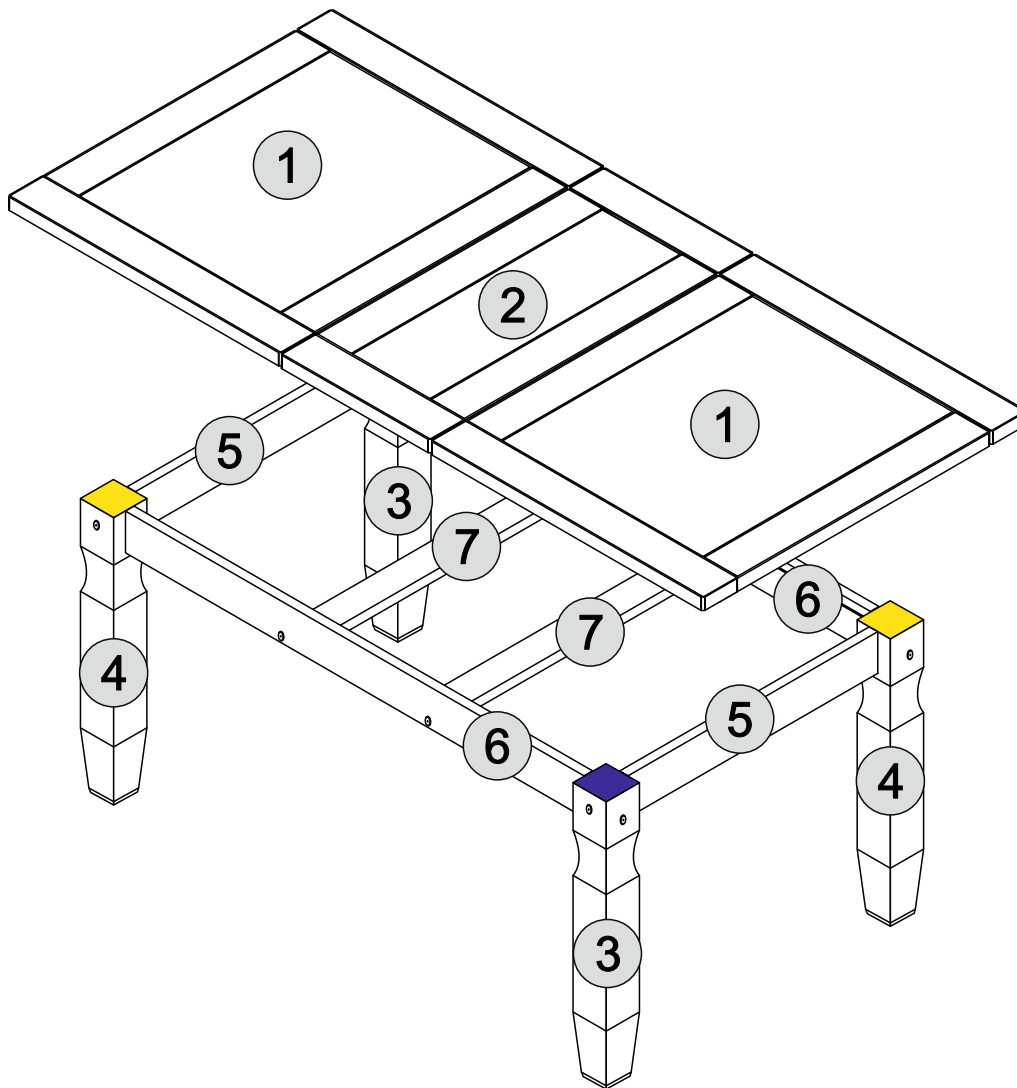
CORONA EXTENDING DINING TABLE ASSEMBLY INSTRUCTIONS



IMPORTANT FOR DOMESTIC USE ONLY PLEASE READ BEFORE YOU CONTINUE FURTHER CARE AND MAINTENANCE

After unpacking this product please keep the original packaging in case it needs to be returned for any reason.

- Please ensure all fittings and parts are present before commencing with assembly.
- We recommend that you lay a blanket or sheet on the floor to avoid damage to both your floor and the product.
- We strongly recommend that you keep children away from your work area.
- Assemble this product as close to its final position as possible.
- Never drag or push products as this could cause damage to the joints making it inferior.
- Do not place this product next to a radiator or in direct sunlight.
- Wood is a natural product and may expand if subjected to damp and may shrink or crack if subjected to heat. Therefore it is recommended that room temperature is maintained, with no sudden temperature fluctuations.
- Make sure any spillage is wiped off immediately.
- Do not place hot or chilled items directly on to the surface, use a place mat or marking will occur.
- For general cleaning use a duster, and do not use detergents of any kind. However, the surface will need to be retreated from time to time. This can be done by using block wax (unperfumed) and rubbing it over the whole item.
- From time to time it may be necessary to tighten fittings, regular inspections should be carried out.



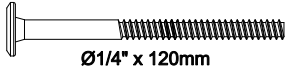

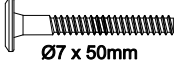
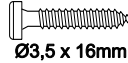
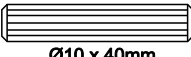

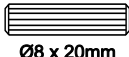

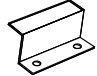

! * Use of power tools to assemble this product will invalidate any claim and damage this product making it unsafe !!!
* Please assemble on a clean soft surface to avoid damage.

! * Please check contents and read the instructions before commencing assembly.
* Assemble this product following the enclosed instructions carefully.
* Please take care to avoid damaging panels during assembly.

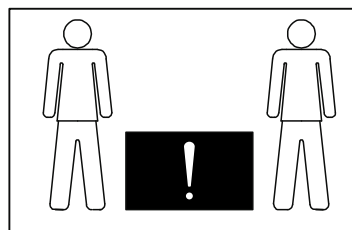
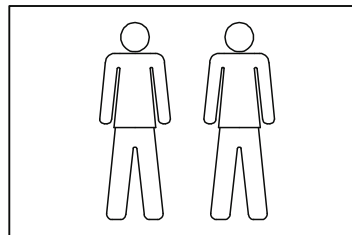
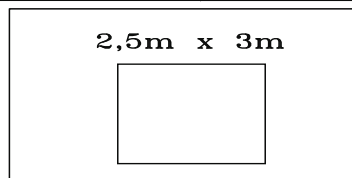
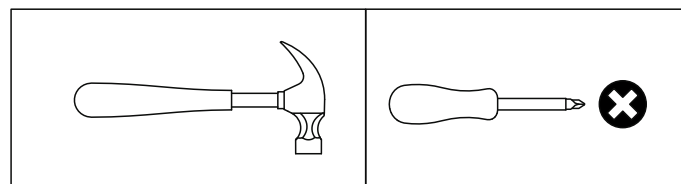
PARTS LIST

Part Number	Part Code	Part Description	Quantity	Carton
1	S400-403-009-KK1-01	Table Top Panel	2	1/2
2	S400-403-009-KK1-02	Table Centre Panel	1	1/2
3	S400-403-009-KK1-03	Table Leg (Blue Marking)	2	2/2
4	S400-403-009-KK1-04	Table Leg (Yellow Marking)	2	2/2
5	S400-403-009-KK1-05	Short Frame Side	2	2/2
6	S400-403-009-KK1-06	Long Frame Side	2	2/2
7	S400-403-009-KK1-07	Table Crossbar Support	2	2/2

FITTINGS

A	 Ø1/4" x 120mm	08	F		04
B	 Ø7 x 50mm	04	G	 Ø3,5 x 16mm	32
C	 Ø10 x 40mm	14	H	 GLUE	02
D	 Ø8 x 20mm	12	I	 4mm	01
E		08	J	 1/4"	08

TOOLS REQUIRED

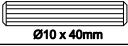
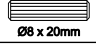



STEP 1

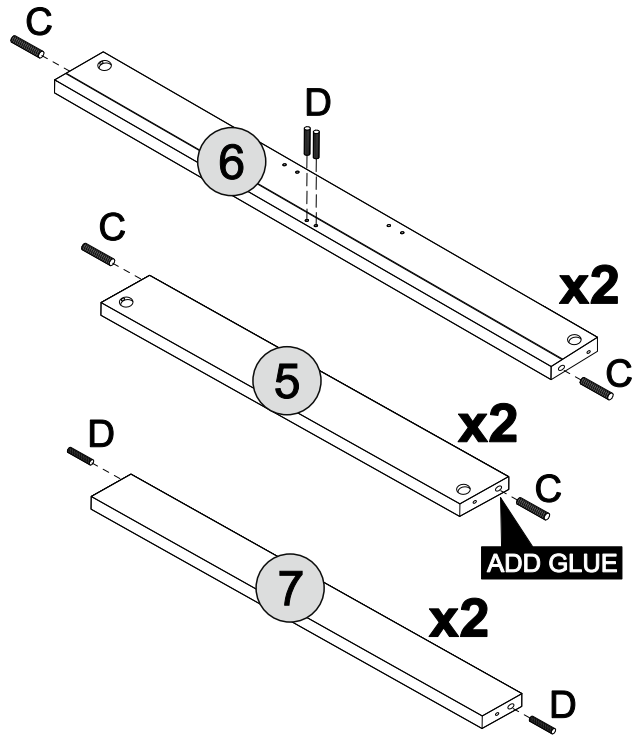
PARTS REQUIRED

- 5 - SHORT FRAME SIDE x2
- 6 - LONG FRAME SIDE x2
- 7 - TABLE CROSSBAR SUPPORT x2

HARDWARE REQUIRED

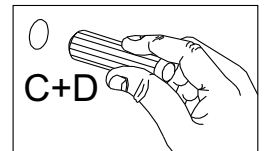
- C  08
Ø10 x 40mm
- D  08
Ø8 x 20mm
- H  01

TOOLS REQUIRED



!
Please assemble on a clean soft surface to avoid damage.

!
Glue must be added to the dowel holes on parts 5,6 and 7.






STEP 2

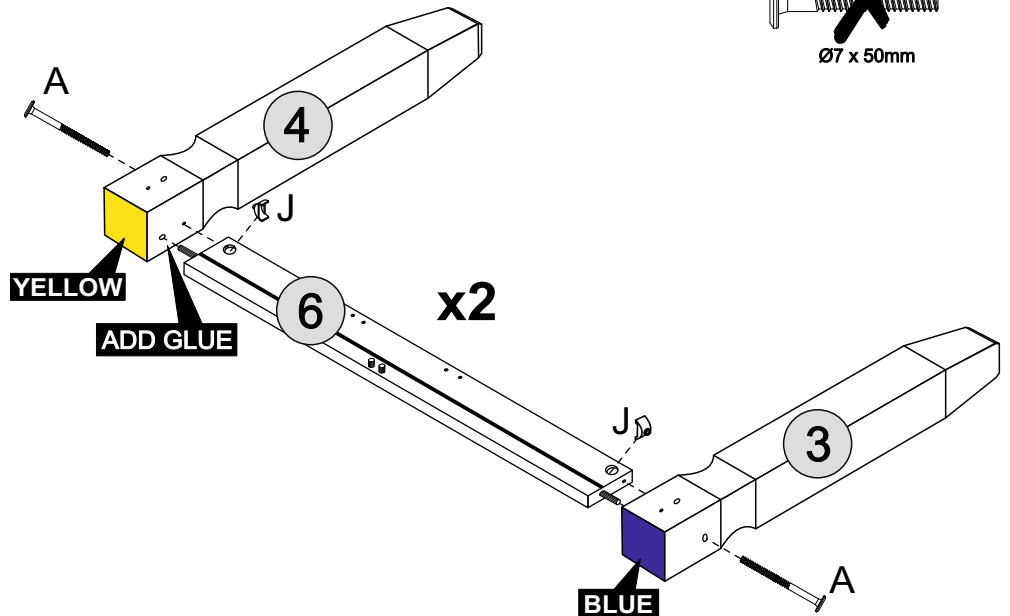
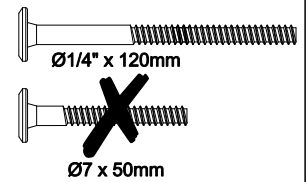
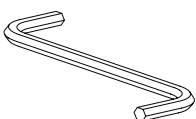
PARTS REQUIRED

- 3 - TABLE LEG(BLUE MARKING) x2
- 4 - TABLE LEG(YELLOW MARKING) x2
- 6 - LONG FRAME SIDE x2

HARDWARE REQUIRED

- A  04
Ø1/4" x 120mm
- H  01
- J  04
1/4"

TOOLS REQUIRED



!
Please assemble on a clean soft surface to avoid damage.

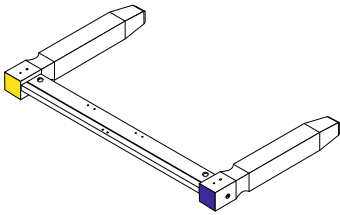
!
Glue must be added to the dowel holes on parts 3 and 4.

STEP 3

PARTS REQUIRED

5 - SHORT FRAME SIDE x2

7 - TABLE CROSSBAR SUPPORT x2



HARDWARE REQUIRED

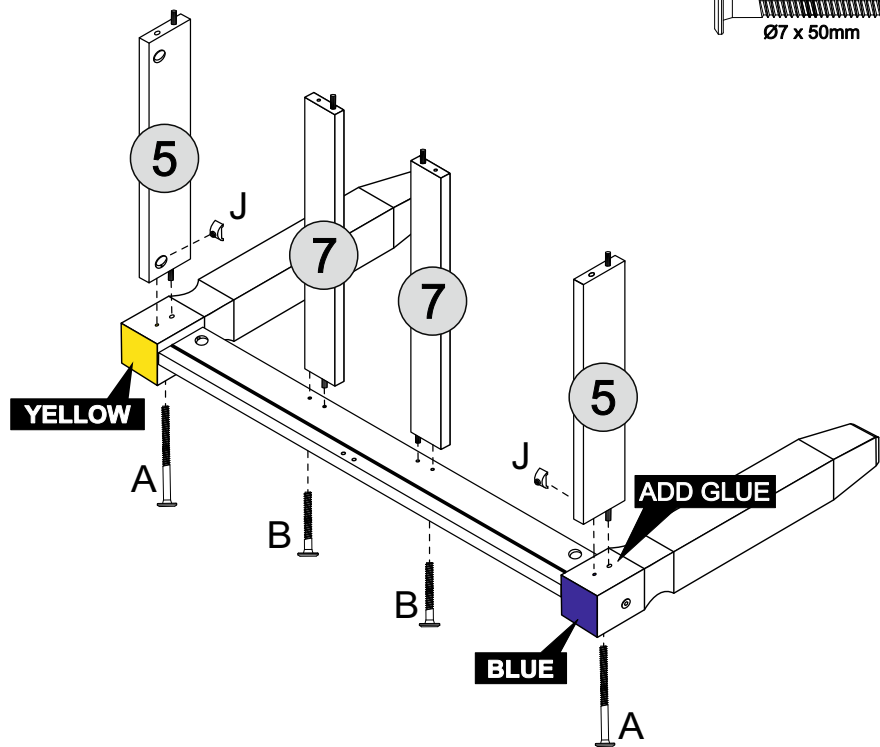
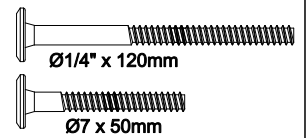
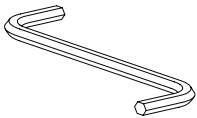
A 02

B 02

H 01

J 02

TOOLS REQUIRED

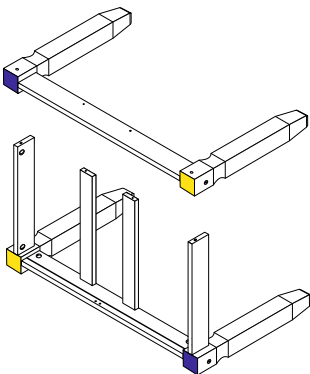


Please assemble on a clean soft surface to avoid damage.

Glue must be added to the dowel holes on parts 3,4 and 6.

STEP 4

PARTS REQUIRED



HARDWARE REQUIRED

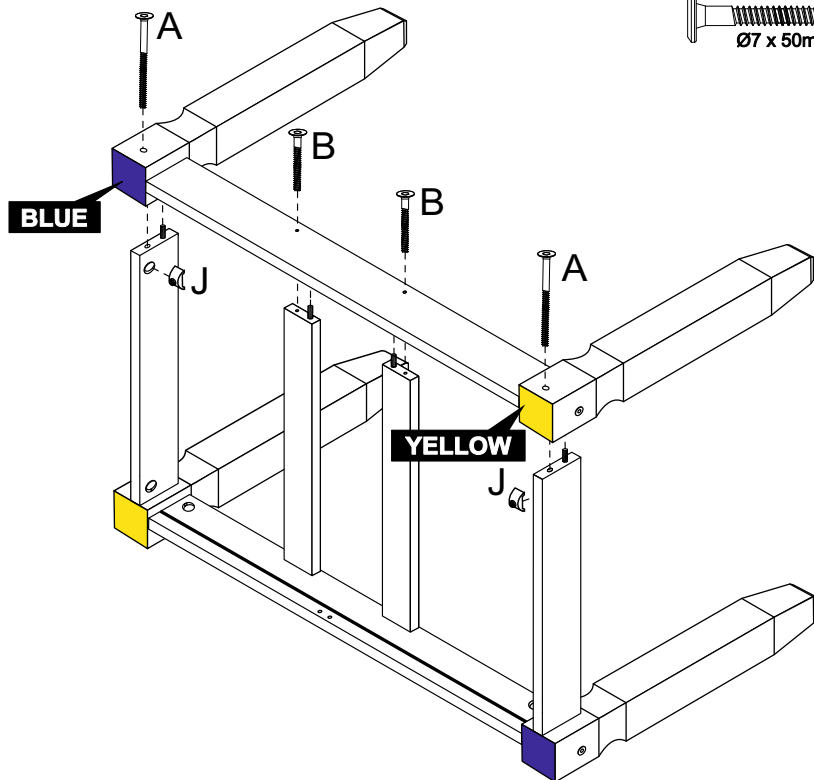
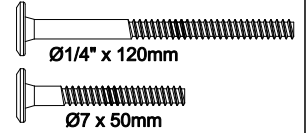
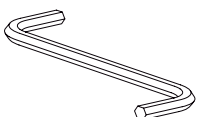
A 02

B 02

H 01

J 02

TOOLS REQUIRED



Please assemble on a clean soft surface to avoid damage.

Glue must be added to the dowel holes on parts 3,4 and 6.

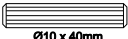
STEP 5


PARTS REQUIRED

1 - TABLE TOP PANEL x1

2 - TABLE CENTRE PANEL x1

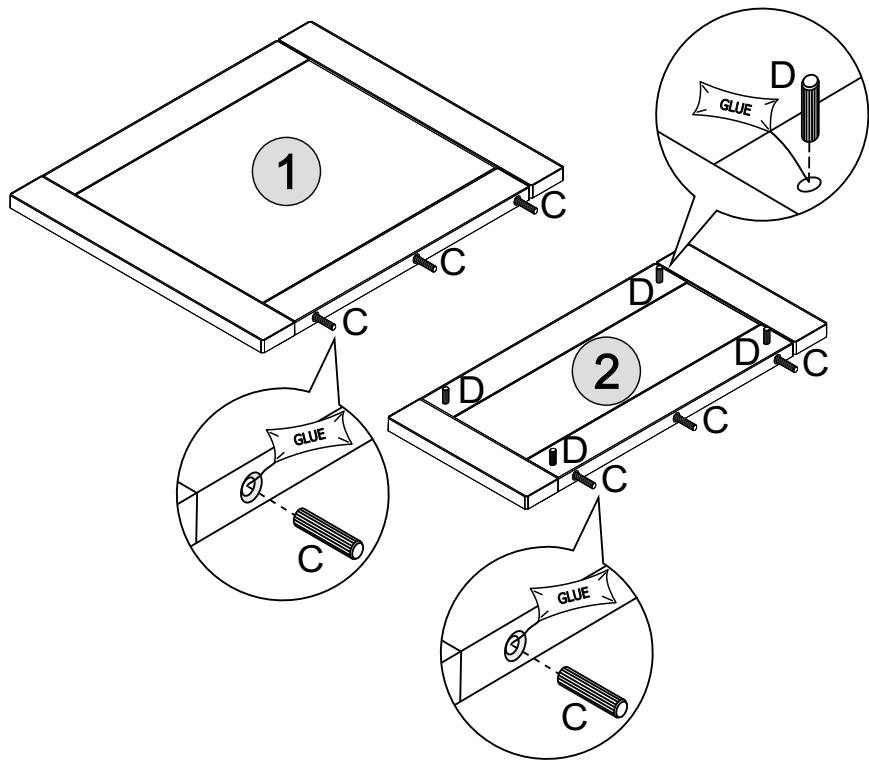
HARDWARE REQUIRED

C  06
Ø10 x 40mm


D  04
Ø8 x 20mm

H  01

TOOLS REQUIRED



 Please assemble on a clean soft surface to avoid damage.

 Please be sure to only add glue into the dowel holes as shown above.

STEP 6

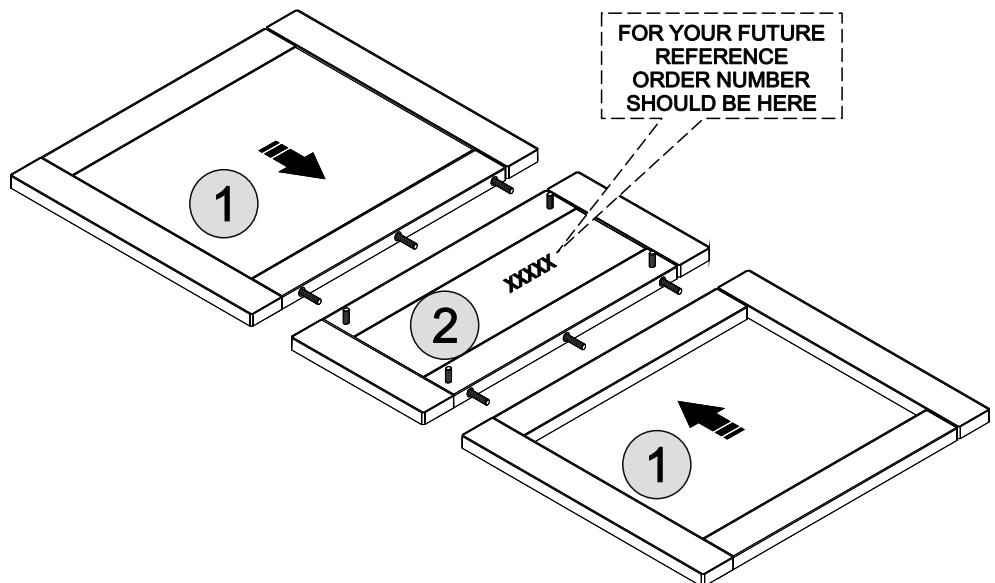
PARTS REQUIRED

1 - TABLE TOP PANEL x2

2 - TABLE CENTRE PANEL x1

HARDWARE REQUIRED

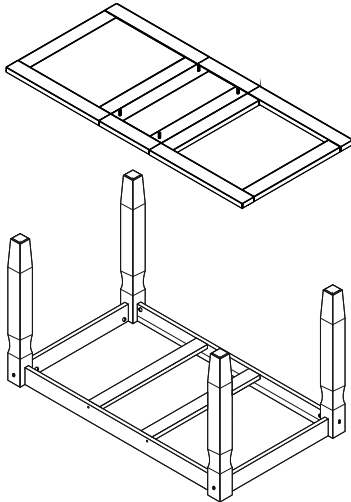
TOOLS REQUIRED



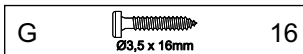
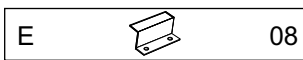
 Please assemble on a clean soft surface to avoid damage.

STEP 7

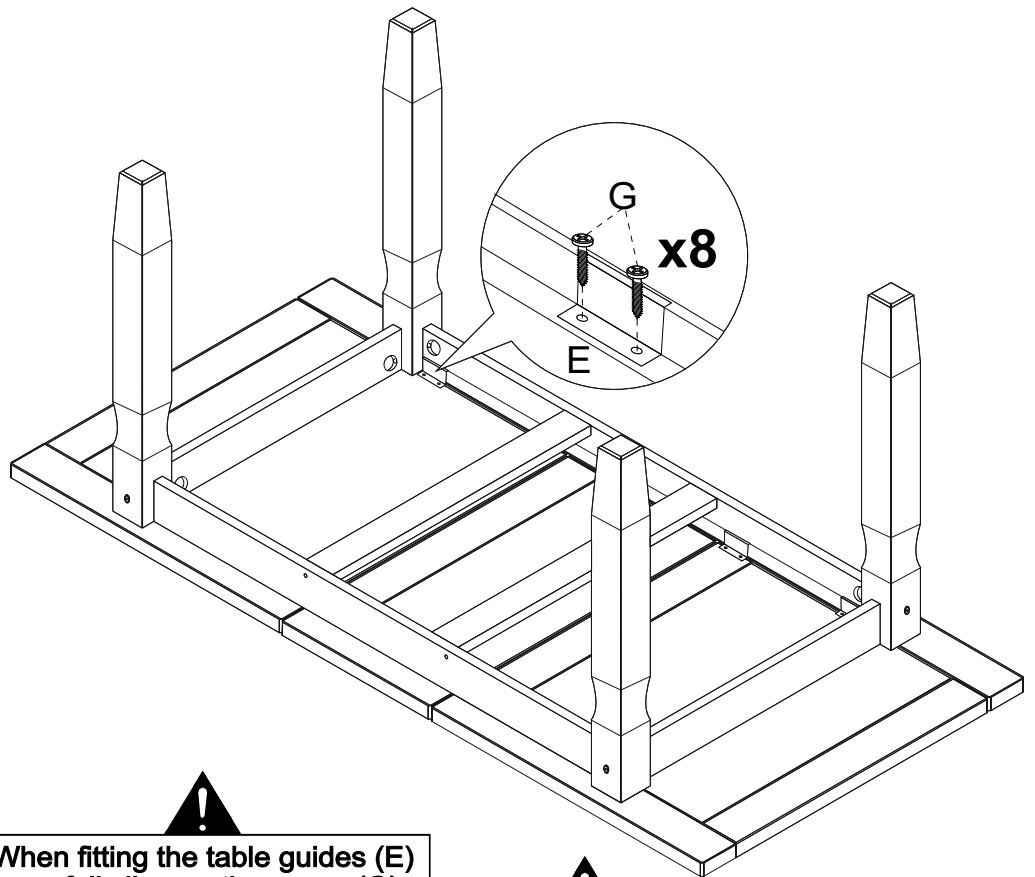
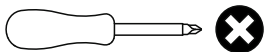
PARTS REQUIRED



HARDWARE REQUIRED



TOOLS REQUIRED

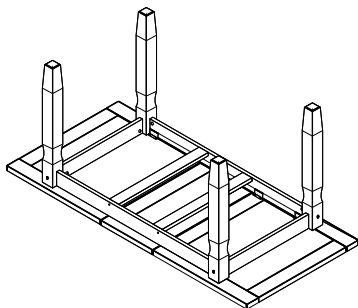


When fitting the table guides (E) carefully line up the screw (G) with the pre-marked holes on the table top panel, this will ensure the table will open correctly when the table requires extending.

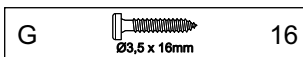
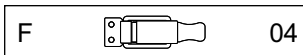
Please assemble on a clean soft surface to avoid damage.

STEP 8

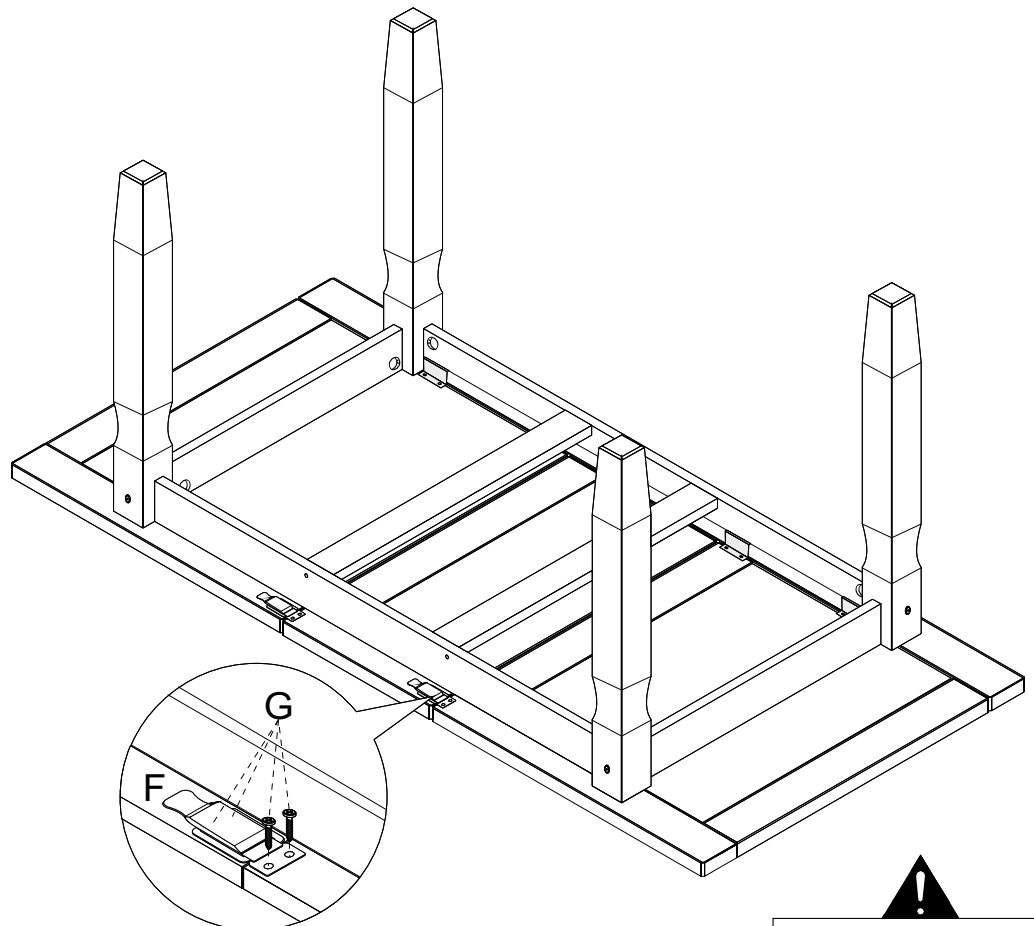
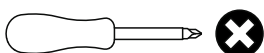
PARTS REQUIRED



HARDWARE REQUIRED

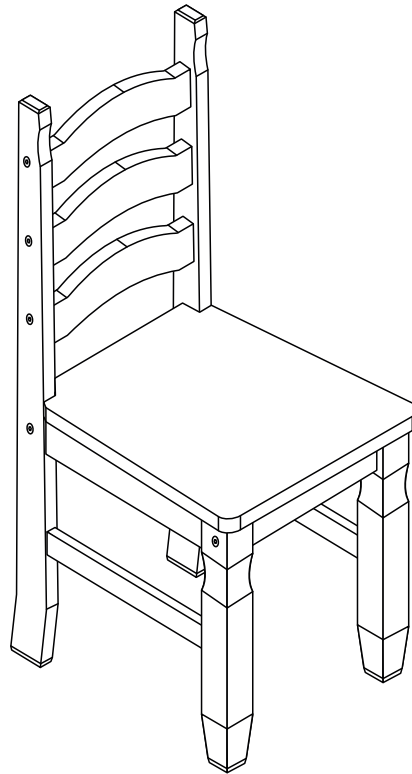


TOOLS REQUIRED



Please assemble on a clean soft surface to avoid damage.

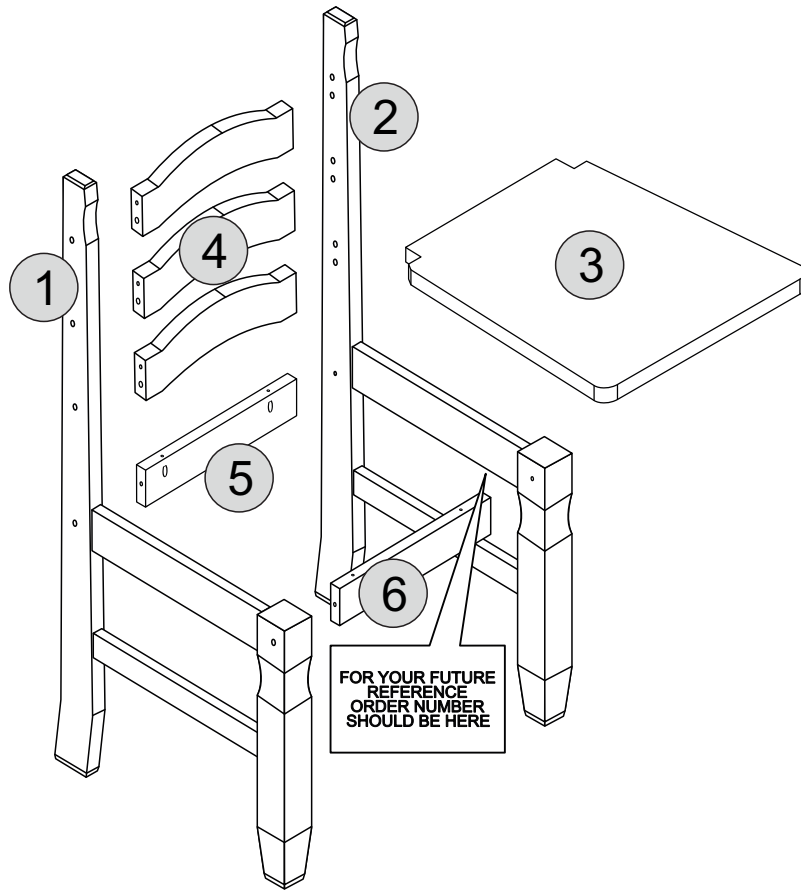
CORONA DINING CHAIR ASSEMBLY INSTRUCTIONS



IMPORTANT **FOR DOMESTIC USE ONLY** PLEASE READ BEFORE YOU CONTINUE FURTHER **CARE AND MAINTENANCE**

After unpacking this product please keep the original packaging in case it needs to be returned for any reason.

- Please ensure all fittings and parts are present before commencing with assembly.
- We recommend that you lay a blanket or sheet on the floor to avoid damage to both your floor and the product.
- We strongly recommend that you keep children away from your work area.
- Assemble this product as close to its final position as possible.
- Never drag or push products as this could cause damage to the joints making it inferior.
- Do not place this product next to a radiator or in direct sunlight.
- Wood is a natural product and may expand if subjected to damp and may shrink or crack if subjected to heat. Therefore it is recommended that room temperature is maintained, with no sudden temperature fluctuations.
- Make sure any spillage is wiped off immediately.
- Do not place hot or chilled items directly on to the surface, use a place mat or marking will occur.
- For general cleaning use a duster, and do not use detergents of any kind. However, the surface will need to be retreated from time to time. This can be done by using block wax (unperfumed) and rubbing it over the whole item.
- From time to time it may be necessary to tighten fittings, regular inspections should be carried out.



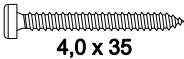


* Use of power tools to assemble this product will invalidate any claim and damage this product making it unsafe !!!
 * Please assemble on a clean soft surface to avoid damage.

* Please check contents and read the instructions before commencing assembly.
 * Assemble this product following the enclosed instructions carefully.
 * Please take care to avoid damaging panels during assembly.

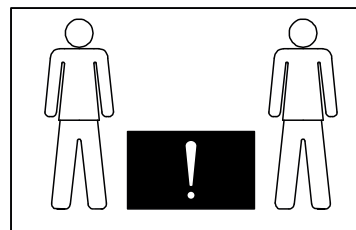
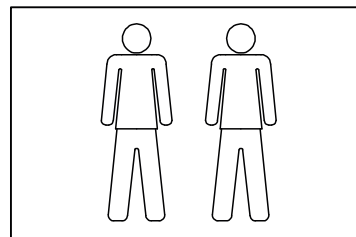
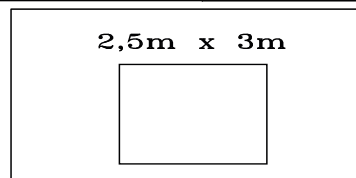
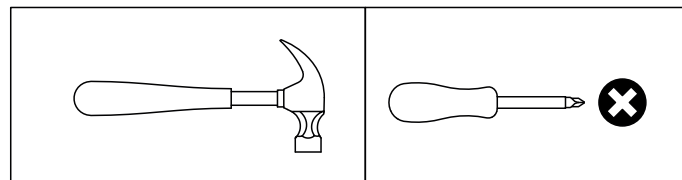
PARTS LIST

Part Number	Part Code	Part Description	Quantity	Carton
1	S400-402-015-KK1-01	Left Chair Side	1	1/4
2	S400-402-015-KK1-02	Right Chair Side	1	3/4
3	S400-402-015-KK1-03	Chair Seat	1	2/4
4	S400-402-015-KK1-04	Back Rail	3	2/4
5	S400-402-015-KK1-05	Back Seat Rail (Bigger)	1	1/4
6	S400-402-015-KK1-06	Front Seat Rail (Smaller)	1	2/4

FITTINGS

A	 <p>Ø 7 x 90</p>	04	D	 <p>4,0 x 35</p>	08
B	 <p>Ø 7 x 60</p>	16	E	 <p>GLUE</p>	02
C	 <p>8,0 x 30</p>	12	F		01

TOOLS REQUIRED




STEP 1

PARTS REQUIRED

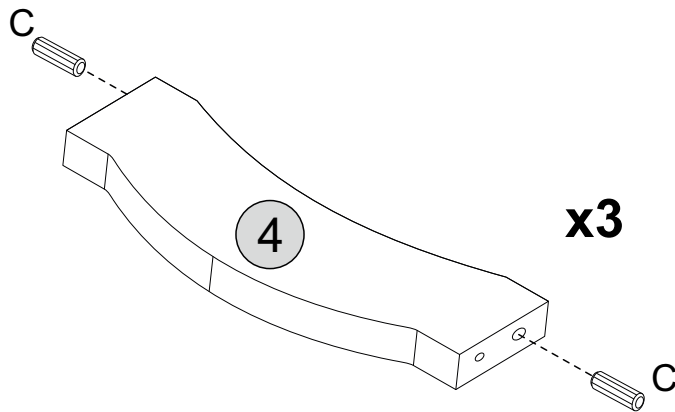
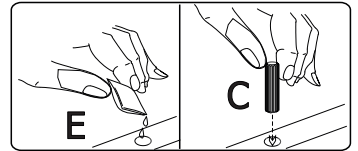
4 - BACK RAIL x3

HARDWARE REQUIRED

C  06
8,0 x 30

E  01
GLUE

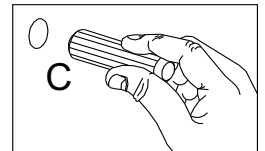
TOOLS REQUIRED



Please assemble on a clean soft surface to avoid damage.



Glue must be added to the dowel holes on parts 4.



STEP 2

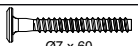
PARTS REQUIRED

1 - LEFT CHAIR SIDE x1

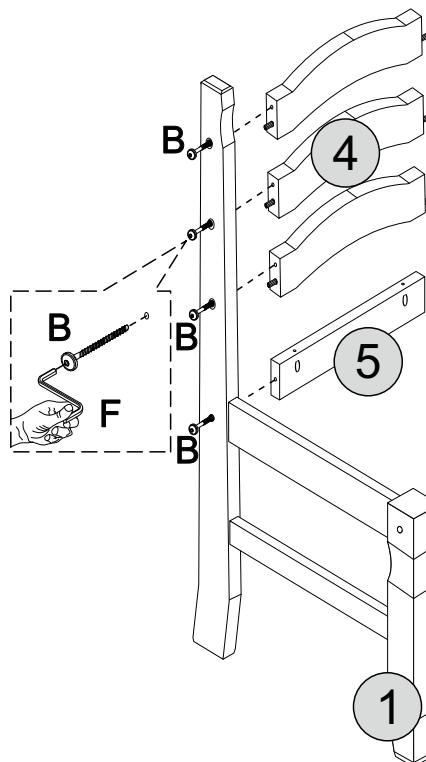
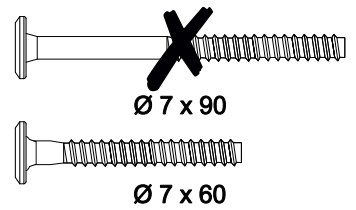
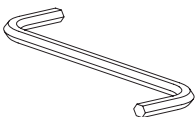
4 - BACK RAIL x3

5 - BACK SEAT RAIL (BIGGER) x1

HARDWARE REQUIRED

B  04
Ø7 x 60

TOOLS REQUIRED

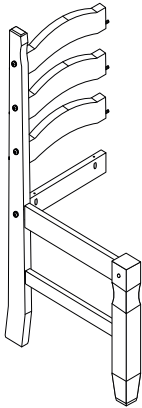


Please assemble on a clean soft surface to avoid damage.

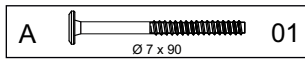
STEP 3

PARTS REQUIRED

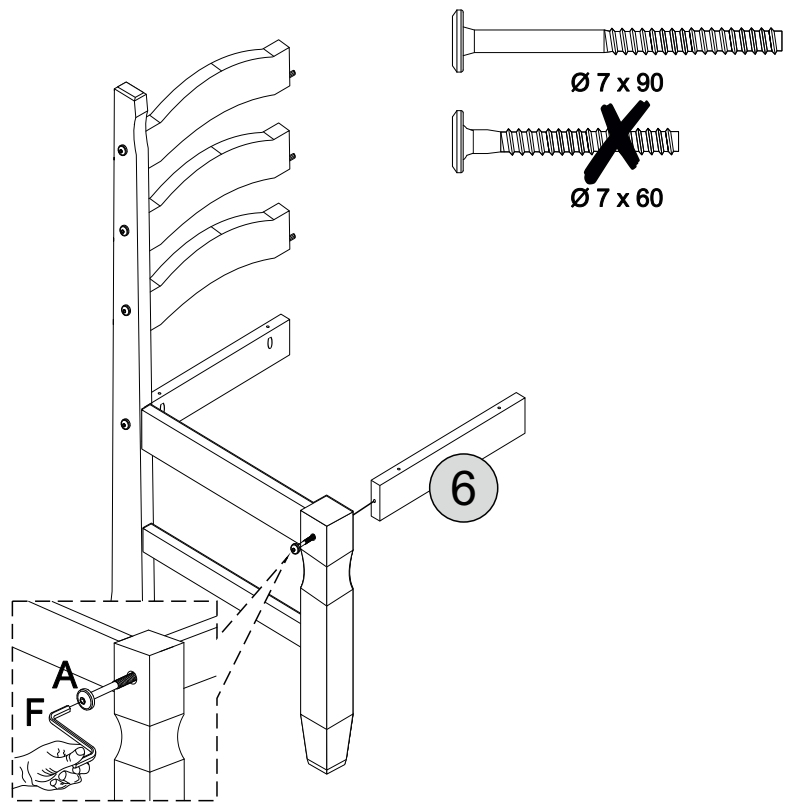
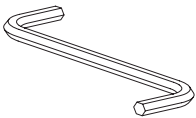
6 - FRONT SEAT RAIL (SMALLER) x1



HARDWARE REQUIRED



TOOLS REQUIRED

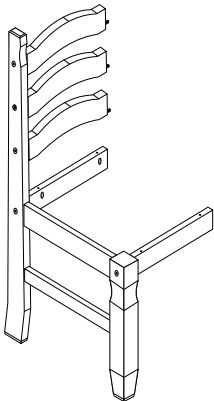


!
Please assemble on a clean soft surface to avoid damage.

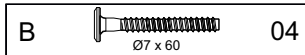
STEP 4

PARTS REQUIRED

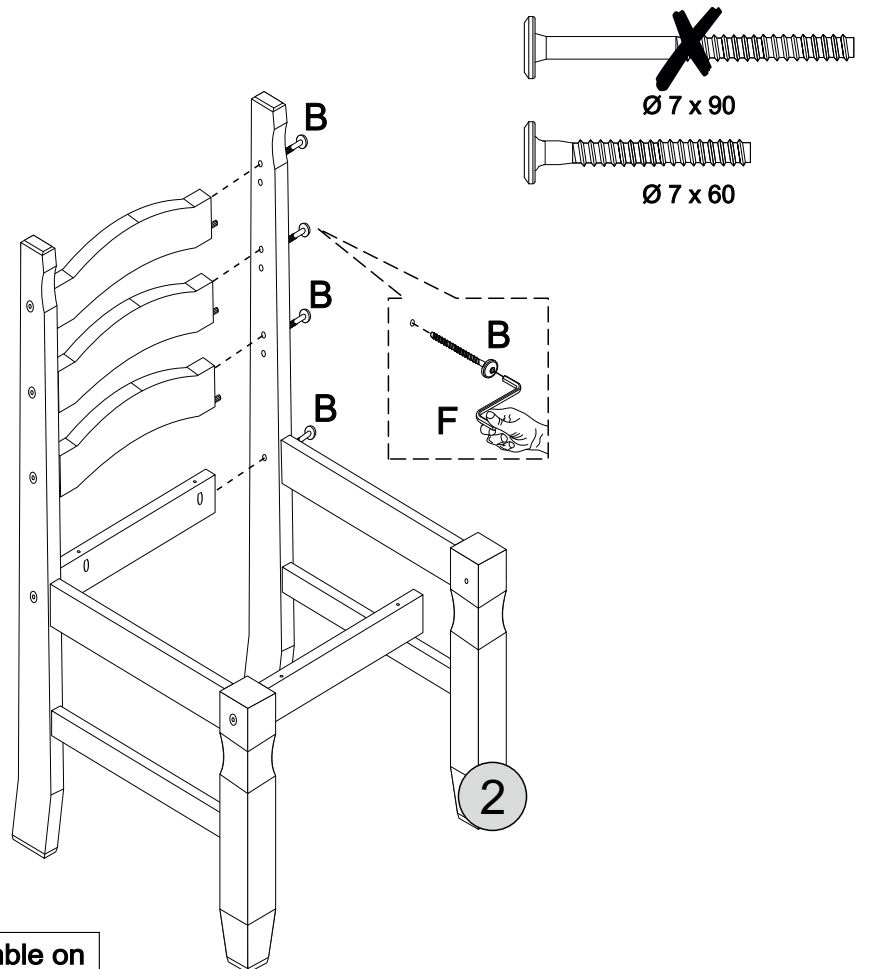
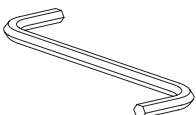
2 - RIGHT CHAIR SIDE x1



HARDWARE REQUIRED



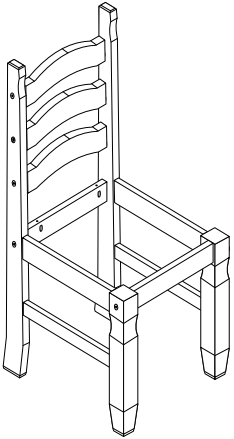
TOOLS REQUIRED



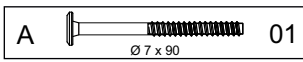
!
Please assemble on a clean soft surface to avoid damage.

STEP 5

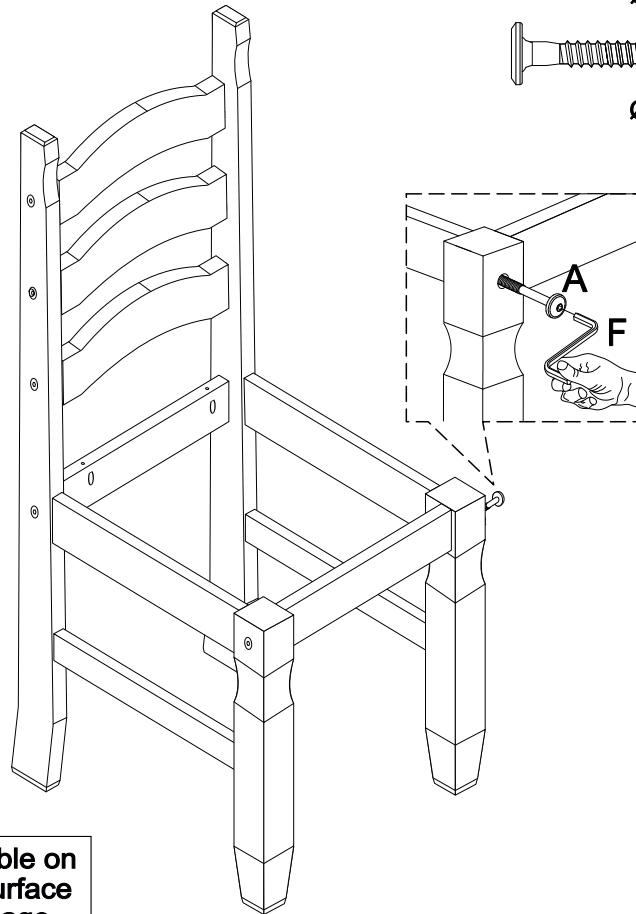
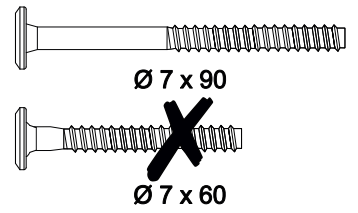
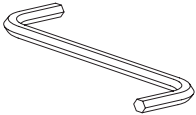
PARTS REQUIRED



HARDWARE REQUIRED



TOOLS REQUIRED

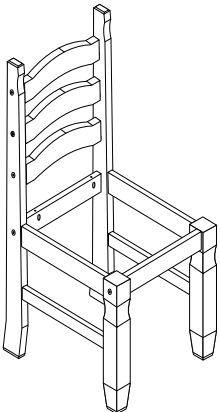


!
Please assemble on a clean soft surface to avoid damage.

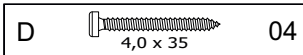
STEP 6

PARTS REQUIRED

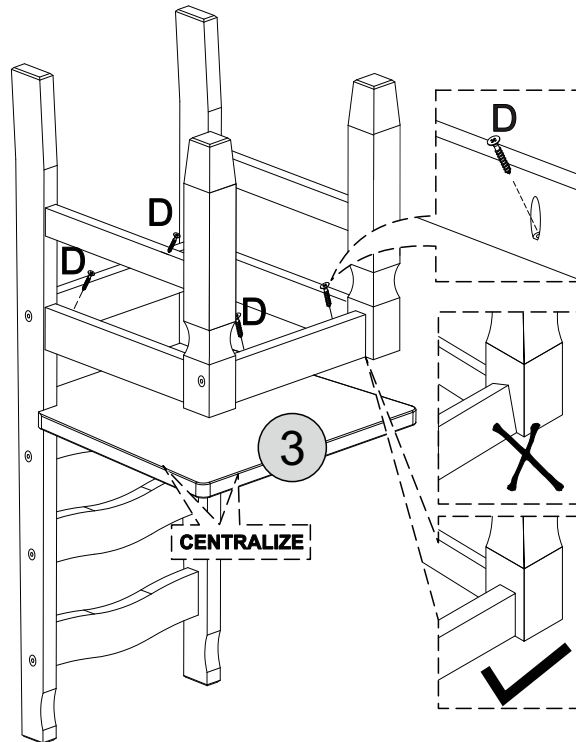
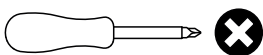
3 - CHAIR SEAT x1



HARDWARE REQUIRED



TOOLS REQUIRED



!
Please assemble on a clean soft surface to avoid damage.

