

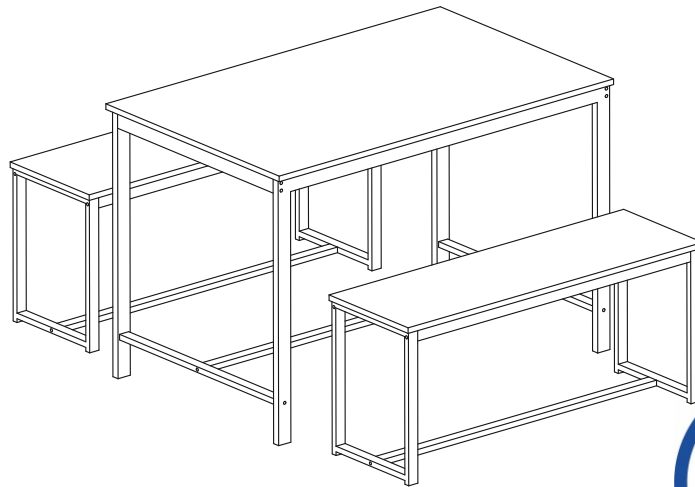
# SONOMA OAK EFFECT/BLACK LINCOLN 1+2 DINING BENCH SET ASSEMBLY INSTRUCTIONS



MAX TABLE  
WEIGHT



MAX CHAIR  
WEIGHT



**IMPORTANT  
FOR DOMESTIC USE ONLY  
PLEASE READ BEFORE YOU CONTINUE FURTHER**

THE PRODUCT YOU HAVE PURCHASED WILL GIVE YOU MANY YEARS OF SERVICE IF YOU FOLLOW THE GUIDELINES FOR ITS SAFE ASSEMBLY AND PERIODIC MAINTENANCE AND CLEANING .

ASSEMBLE ON A SOFT CLEAN SURFACE

DO NOT USE ANY TOOLS OTHER THAN THOSE SHOWN.

ANY SPANNERS OR ALLEN KEYS REQUIRED ARE INCLUDED WITH THE FITTINGS KIT.

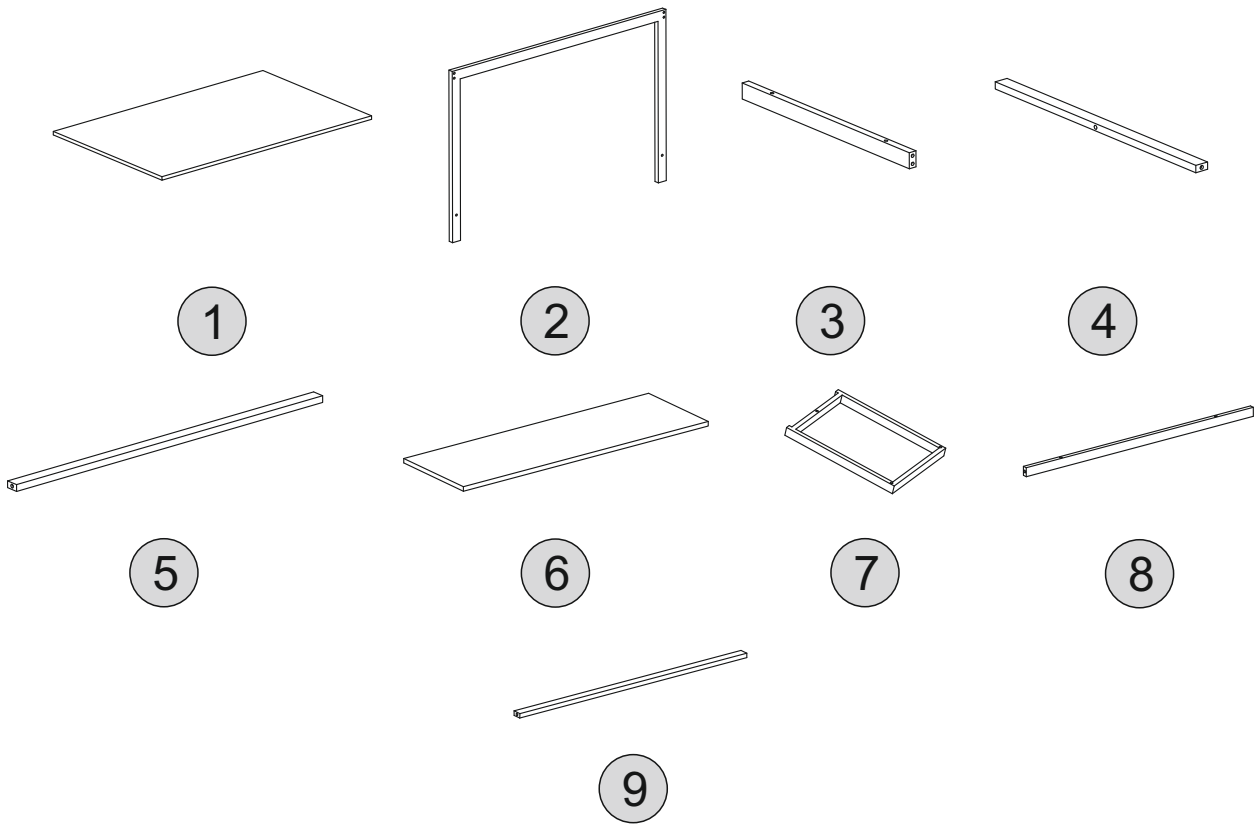
DO NOT FOR ANY REASON USE A POWER TOOL TO ASSEMBLE THIS PRODUCT. ITS USE WILL INVALIDATE ANY CLAIM YOU MAY HAVE AND COULD MAKE THIS PRODUCT UNSAFE.

DEPENDING ON THE AMOUNT OF USE THIS PRODUCT RECEIVES IT MAY BE NECESSARY TO TIGHTEN UP THE FIXINGS FROM TIME TO TIME . THIS IS COMPLETELY NORMAL FOR ANY FLAT PACK FURNITURE.  
DO NOT OVERTIGHTEN FIXINGS.

FOR CLEANING, YOU MAY USE A DAMP CLOTH (NOT WET) DO NOT USE POLISH, DETERGENT OR CHEMICAL CLEANERS.

THIS PRODUCT MAY STAIN OR MARK IF ALLOWED TO COME INTO CONTACT WITH WET OR DAMP OBJECTS.

THE SURFACE OF THIS ITEM IS NOT HEAT RESISTANT. ALWAYS USE A PLACE MAT UNDER HOT OR COLD ITEMS TO PREVENT MARKING.

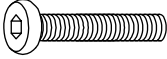
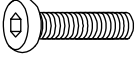
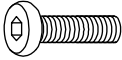



**PARTS LIST**

Part Number	Part Code	Part Description	Quantity	Carton
1	S400-401-292-RJ1-01	Table Top	1	1/1
2	S400-401-292-RJ1-02	Table Leg	2	1/1
3	S400-401-292-RJ1-03	Table Top Crossbar	2	1/1
4	S400-401-292-RJ1-04	Table Bottom Crossbar	2	1/1
5	S400-401-292-RJ1-05	Long Crossbar	1	1/1
6	S400-401-292-RJ1-06	Seat Pad	2	1/1
7	S400-401-292-RJ1-07	Bench Leg	4	1/1
8	S400-401-292-RJ1-08	Bench Top Crossbar	4	1/1
9	S400-401-292-RJ1-09	Bench Bottom Crossbar	2	1/1

**PLEASE CHECK THAT YOU HAVE ALL THE PARTS LISTED BEFORE YOU START ASSEMBLING. IF YOU DO FIND THAT SOMETHING IS MISSING, DO NOT CONTINUE ASSEMBLY. PLEASE CONTACT YOUR SUPPLIER IMMEDIATELY.**

**HARDWARE LIST**

REF		HARDWARE NAME	QTY
A		M6 x 50MM	20PCS
B		M6 x 40MM	8PCS
C		M6 x 35MM	12PCS
D		ALLEN KEY	1PC

**PLEASE CHECK THAT YOU HAVE ALL THE PARTS LISTED BEFORE YOU START ASSEMBLING. IF YOU DO FIND THAT SOMETHING IS MISSING, DO NOT CONTINUE ASSEMBLY. PLEASE CONTACT YOUR SUPPLIER IMMEDIATELY.**

# STEP 1

## PARTS REQUIRED

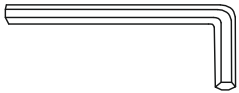
4 - TABLE BOTTOM CROSSBAR x2

5 - LONG CROSSBAR x1

## HARDWARE REQUIRED

A  02

## TOOLS REQUIRED



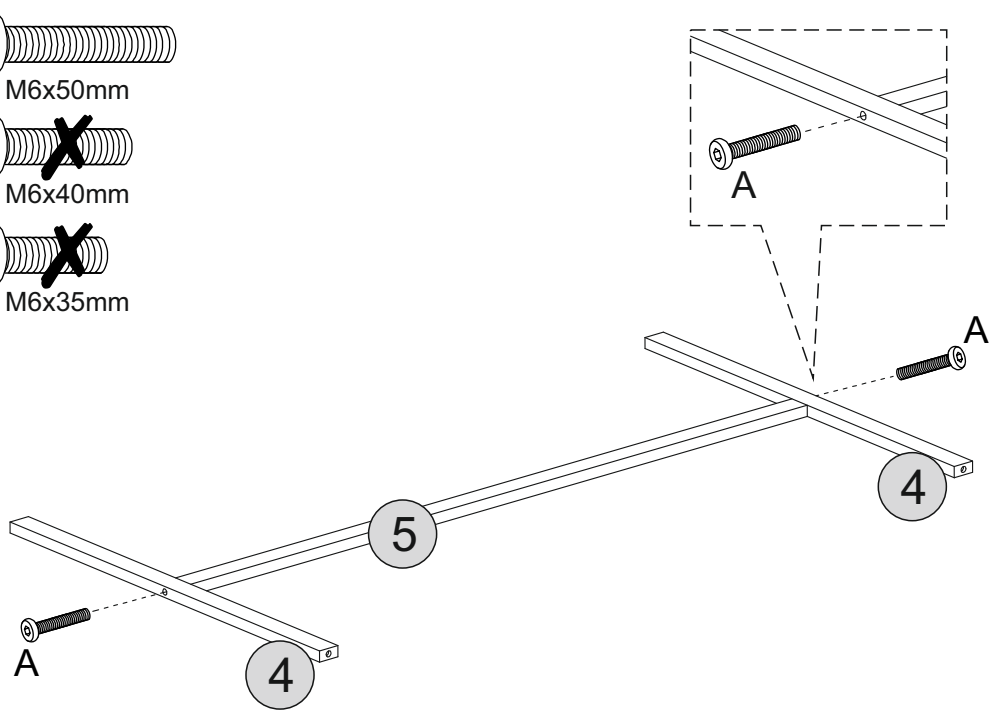
M6x50mm



M6x40mm



M6x35mm

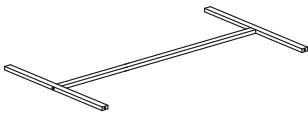


# STEP 2


## PARTS REQUIRED

2 - TABLE LEG x1

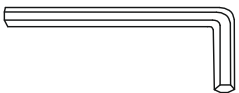
3 - TABLE TOP CROSSBAR x2



## HARDWARE REQUIRED

C  06

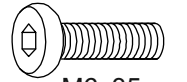
## TOOLS REQUIRED



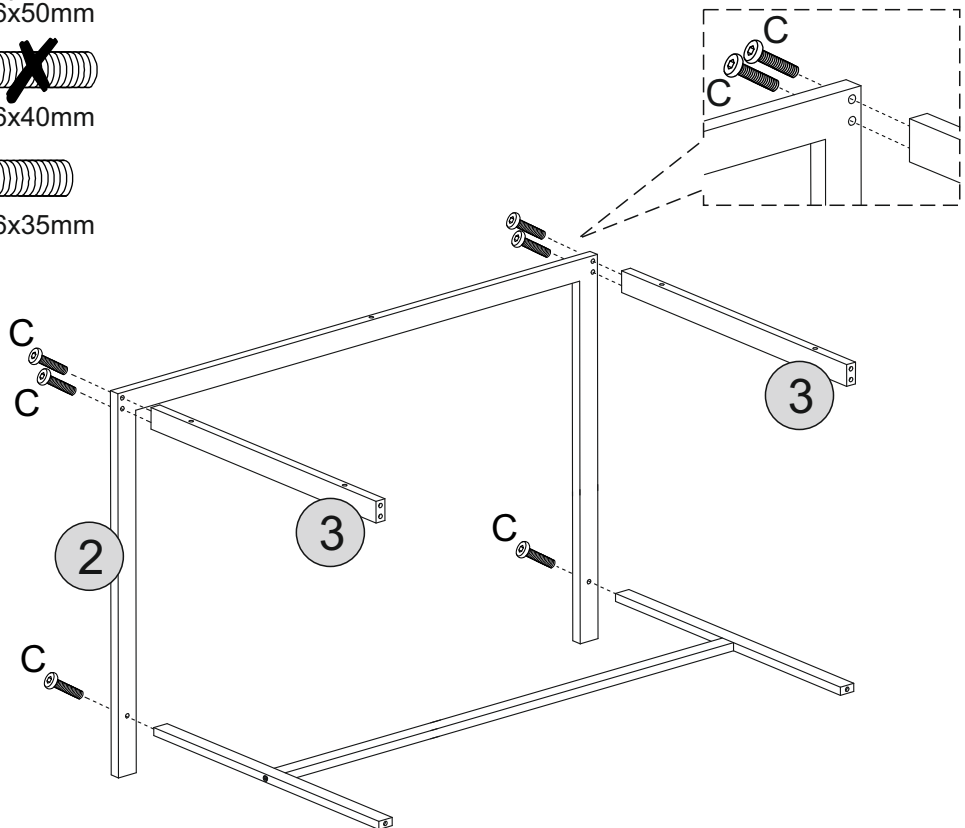
M6x50mm



M6x40mm



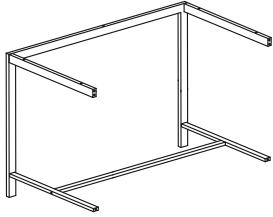
M6x35mm




# STEP 3

## PARTS REQUIRED

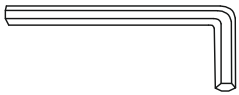
2 - TABLE LEG x1



## HARDWARE REQUIRED

C  06

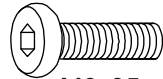
## TOOLS REQUIRED



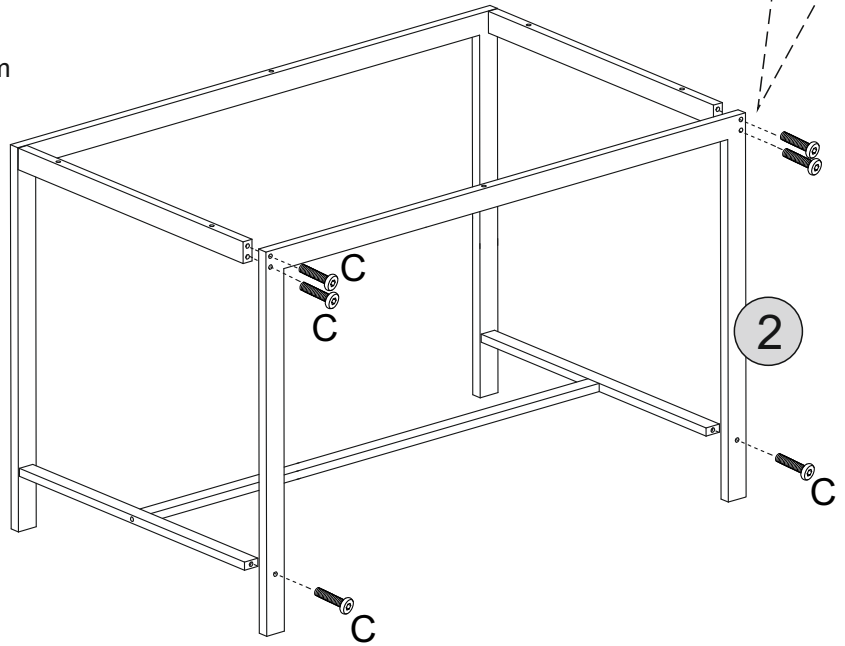
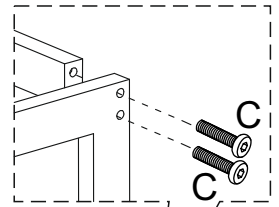
M6x50mm



M6x40mm



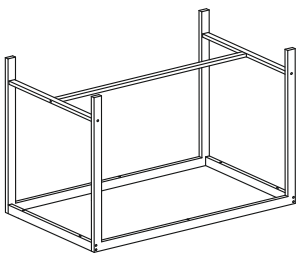
M6x35mm




# STEP 4

## PARTS REQUIRED

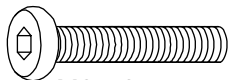
1 - TABLE TOP x1



## HARDWARE REQUIRED

A  06

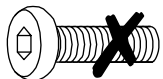
## TOOLS REQUIRED



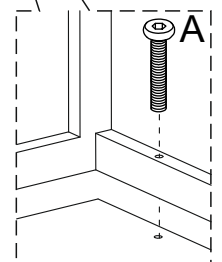
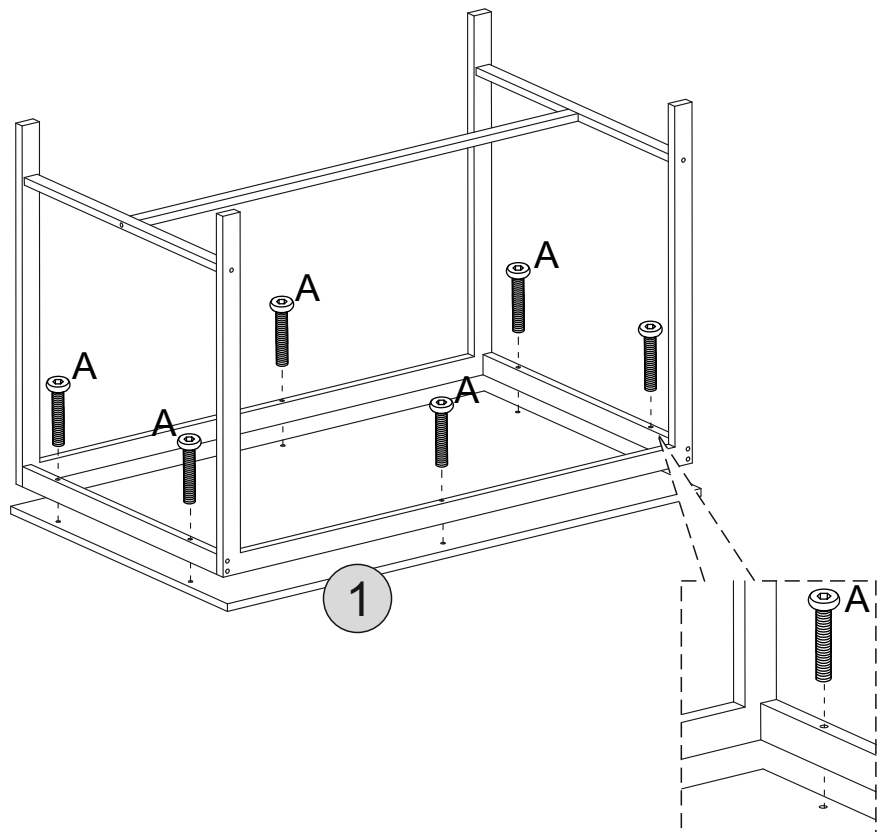
M6x50mm



M6x40mm



M6x35mm



# STEP 5


## PARTS REQUIRED

7 - BENCH LEG x4

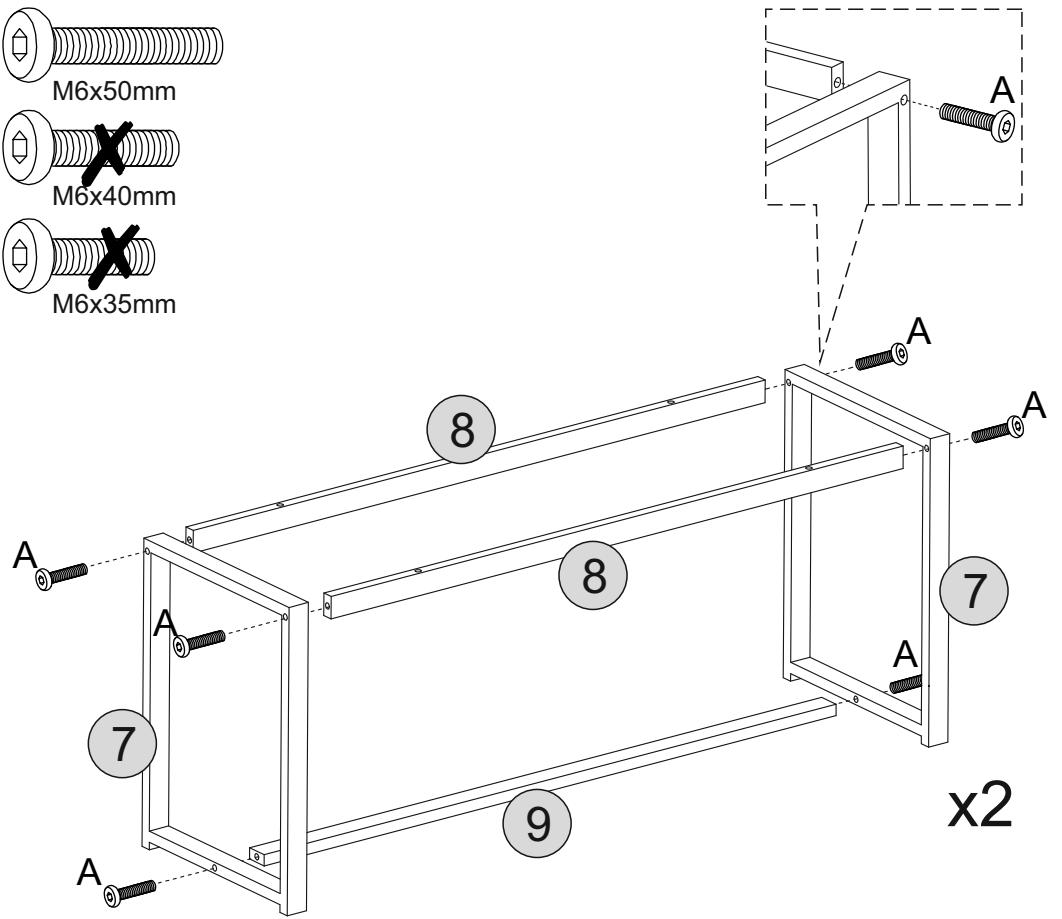
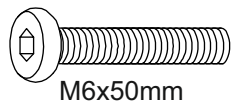
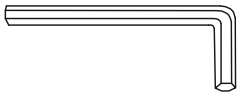
8 - BENCH TOP CROSSBAR x4

9 - BENCH BOTTOM CROSSBAR x2

## HARDWARE REQUIRED

A  06

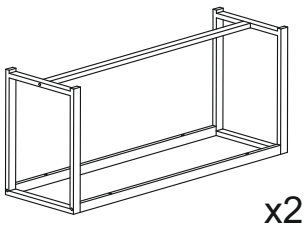
## TOOLS REQUIRED



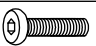
# STEP 6

## PARTS REQUIRED

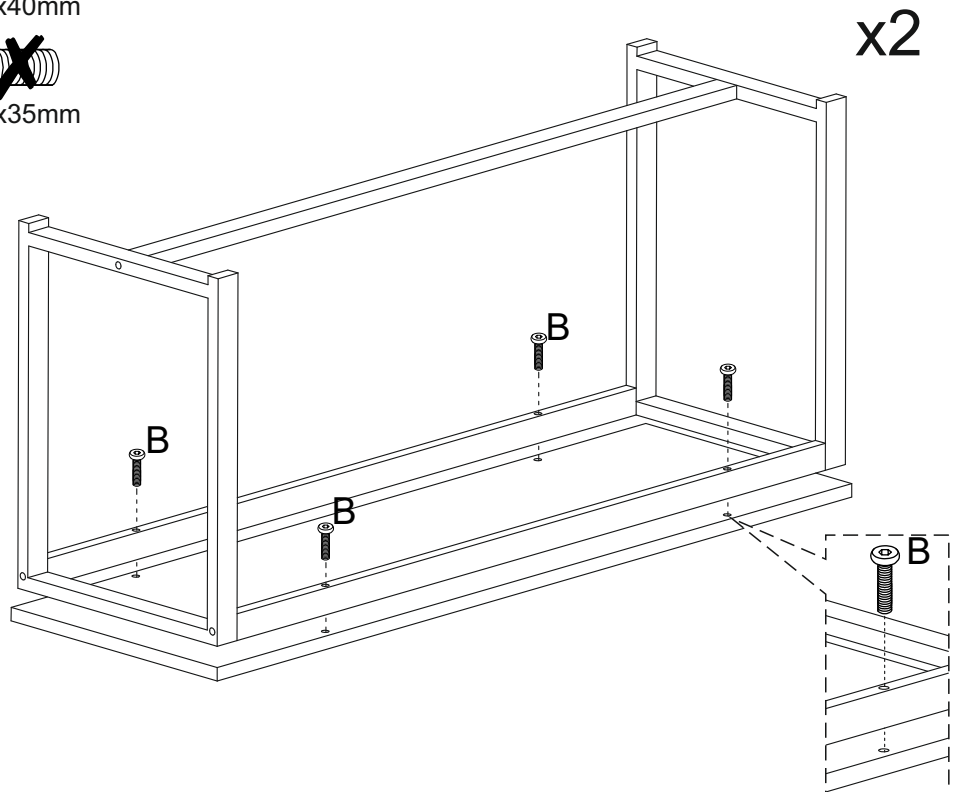
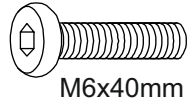
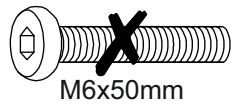
1 - SEAT PAD x2



## HARDWARE REQUIRED

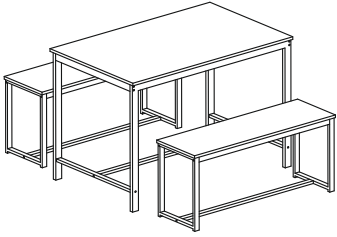
B  04

## TOOLS REQUIRED



# STEP 7

PARTS REQUIRED



HARDWARE REQUIRED

TOOLS REQUIRED

