

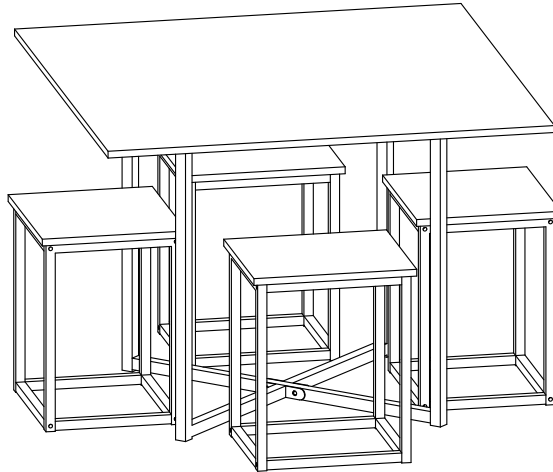
SONOMA OAK EFFECT/BLACK KENT 1+4 STOWAWAY DINING SET ASSEMBLY INSTRUCTIONS



MAX TABLE
WEIGHT



MAX CHAIR
WEIGHT



**IMPORTANT
FOR DOMESTIC USE ONLY
PLEASE READ BEFORE YOU CONTINUE FURTHER**

THE PRODUCT YOU HAVE PURCHASED WILL GIVE YOU MANY YEARS OF SERVICE IF YOU FOLLOW THE GUIDELINES FOR ITS SAFE ASSEMBLY AND PERIODIC MAINTENANCE AND CLEANING .

ASSEMBLE ON A SOFT CLEAN SURFACE

DO NOT USE ANY TOOLS OTHER THAN THOSE SHOWN.

ANY SPANNERS OR ALLEN KEYS REQUIRED ARE INCLUDED WITH THE FITTINGS KIT.

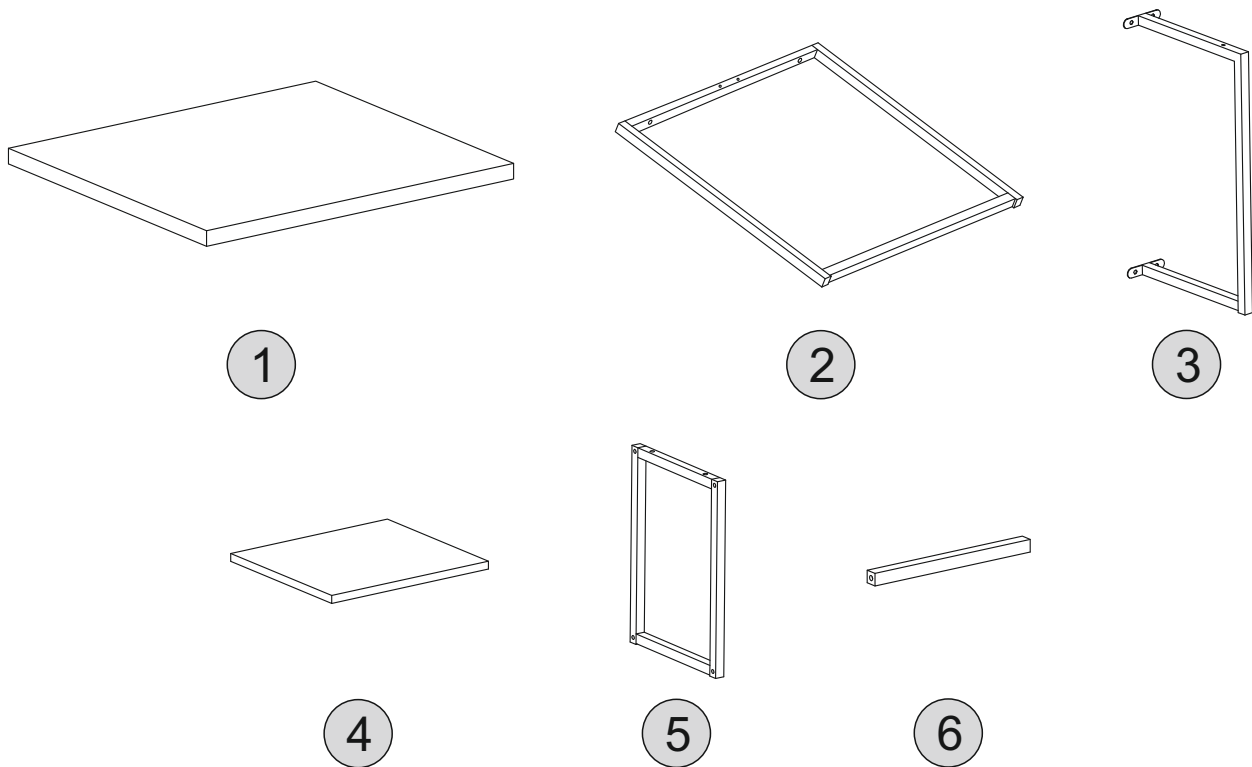
DO NOT FOR ANY REASON USE A POWER TOOL TO ASSEMBLE THIS PRODUCT. ITS USE WILL INVALIDATE ANY CLAIM YOU MAY HAVE AND COULD MAKE THIS PRODUCT UNSAFE.

DEPENDING ON THE AMOUNT OF USE THIS PRODUCT RECEIVES IT MAY BE NECESSARY TO TIGHTEN UP THE FIXINGS FROM TIME TO TIME . THIS IS COMPLETELY NORMAL FOR ANY FLAT PACK FURNITURE.
DO NOT OVERTIGHTEN FIXINGS.

FOR CLEANING, YOU MAY USE A DAMP CLOTH (NOT WET) DO NOT USE POLISH, DETERGENT OR CHEMICAL CLEANERS.

THIS PRODUCT MAY STAIN OR MARK IF ALLOWED TO COME INTO CONTACT WITH WET OR DAMP OBJECTS.

THE SURFACE OF THIS ITEM IS NOT HEAT RESISTANT. ALWAYS USE A PLACE MAT UNDER HOT OR COLD ITEMS TO PREVENT MARKING.


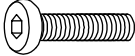
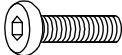

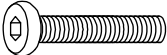



PARTS LIST

Part Number	Part Code	Part Description	Quantity	Carton
1	S400-401-294-RJ1-01	Table Top	1	1/1
2	S400-401-294-RJ1-02	Large Table Leg	1	1/1
3	S400-401-294-RJ1-03	Small Table leg	2	1/1
4	S400-401-294-RJ1-04	Seat Pad	4	1/1
5	S400-401-294-RJ1-05	Stool Leg	8	1/1
6	S400-401-294-RJ1-06	Stool Crossbar	16	1/1

PLEASE CHECK THAT YOU HAVE ALL THE PARTS LISTED BEFORE YOU START ASSEMBLING. IF YOU DO FIND THAT SOMETHING IS MISSING, DO NOT CONTINUE ASSEMBLY. PLEASE CONTACT YOUR SUPPLIER IMMEDIATELY.

HARDWARE LIST

REF		HARDWARE NAME	QTY
A		NUT	4PCS
B		M6 x 30MM	8PCS
C		M6 x 28MM	16PCS
D		ALLEN KEY	1PC
E		M6 x 35MM	32PCS
F		SPANNER	1PCS

PLEASE CHECK THAT YOU HAVE ALL THE PARTS LISTED BEFORE YOU START ASSEMBLING. IF YOU DO FIND THAT SOMETHING IS MISSING, DO NOT CONTINUE ASSEMBLY. PLEASE CONTACT YOUR SUPPLIER IMMEDIATELY.

STEP 1

PARTS REQUIRED

2 - LARGE TABLE LEG x1

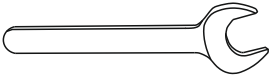
3 - SMALL TABLE LEG x2

HARDWARE REQUIRED

A  04

B  04

TOOLS REQUIRED



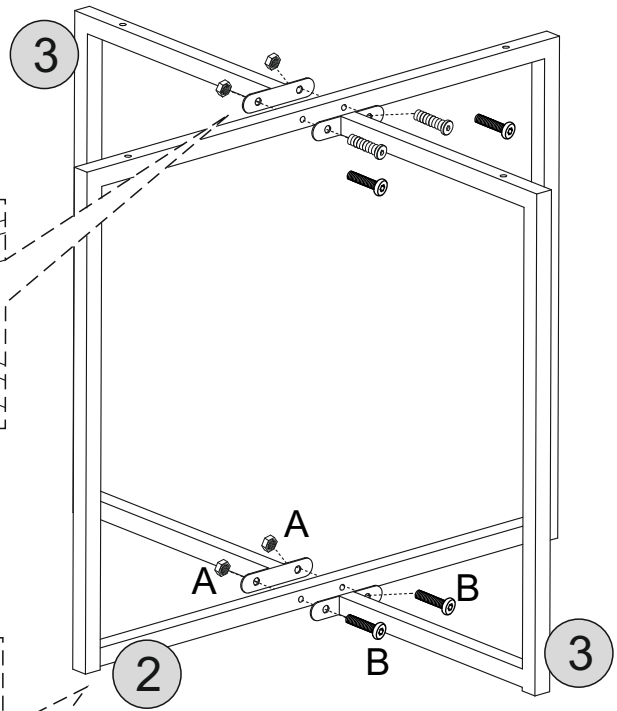
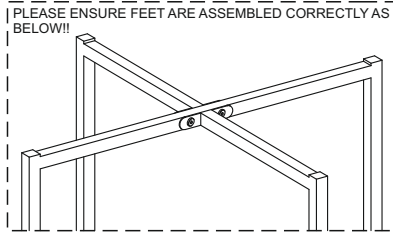
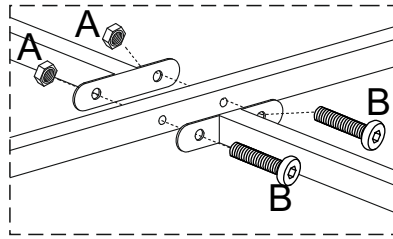
M6x35mm



M6x30mm



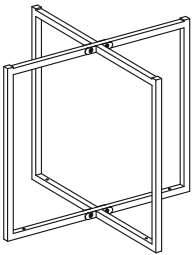
M6x28mm



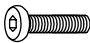
STEP 2

PARTS REQUIRED

1 - TABLE TOP x1



HARDWARE REQUIRED

B  04

TOOLS REQUIRED



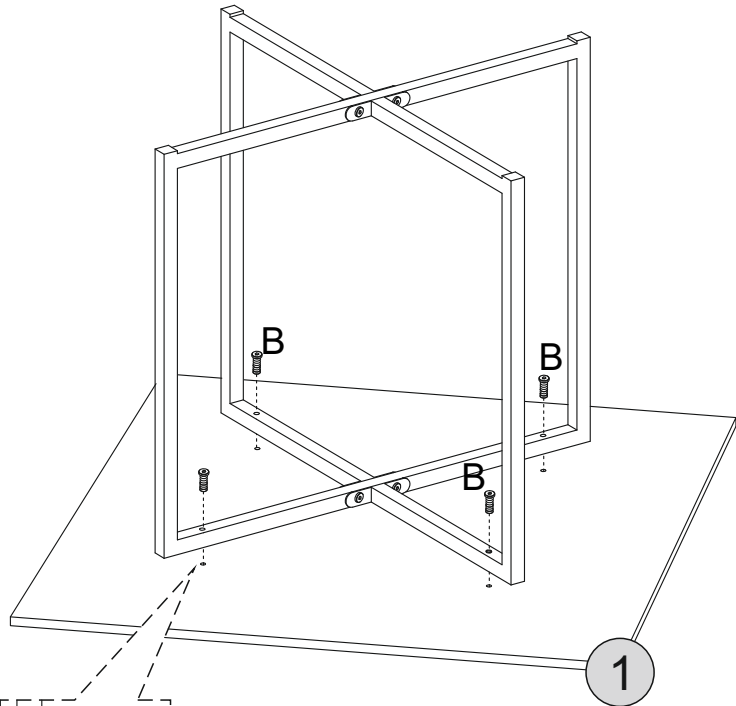
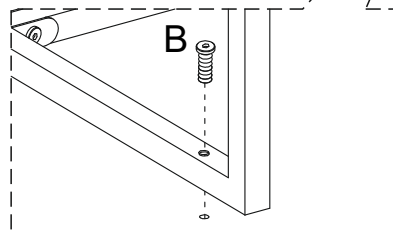
M6x35mm



M6x30mm



M6x28mm



STEP 3

PARTS REQUIRED

5 - STOOL LEG x8

6 - STOOL CROSSBAR x16

HARDWARE REQUIRED

E  32

TOOLS REQUIRED



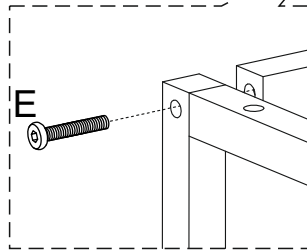
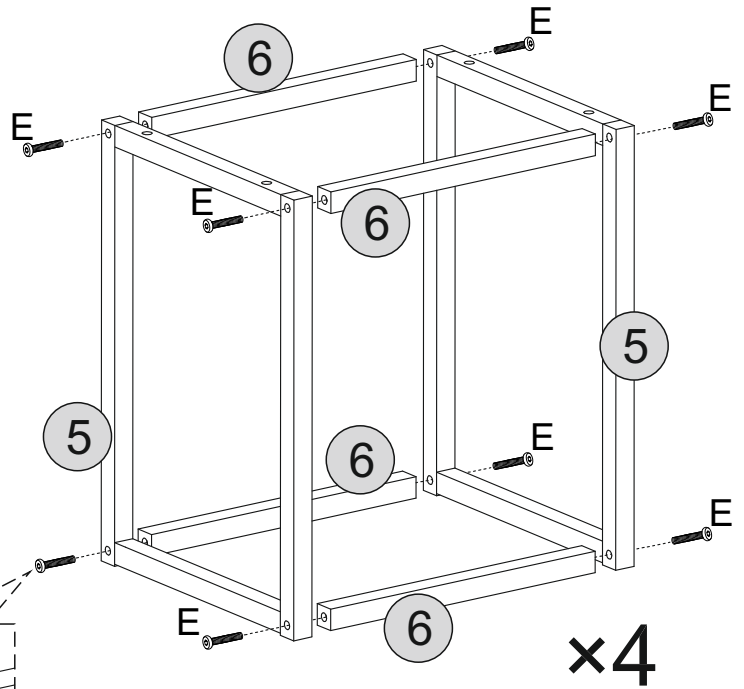
M6x35mm



M6x30mm



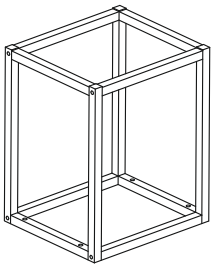
M6x28mm



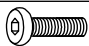
STEP 4

PARTS REQUIRED

4 - SEAT PAD x4



HARDWARE REQUIRED

C  16

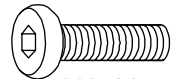
TOOLS REQUIRED



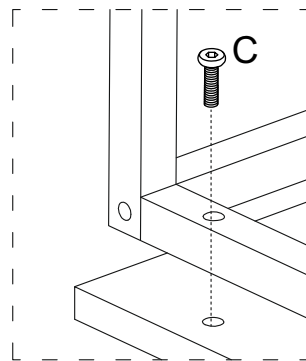
M6x35mm



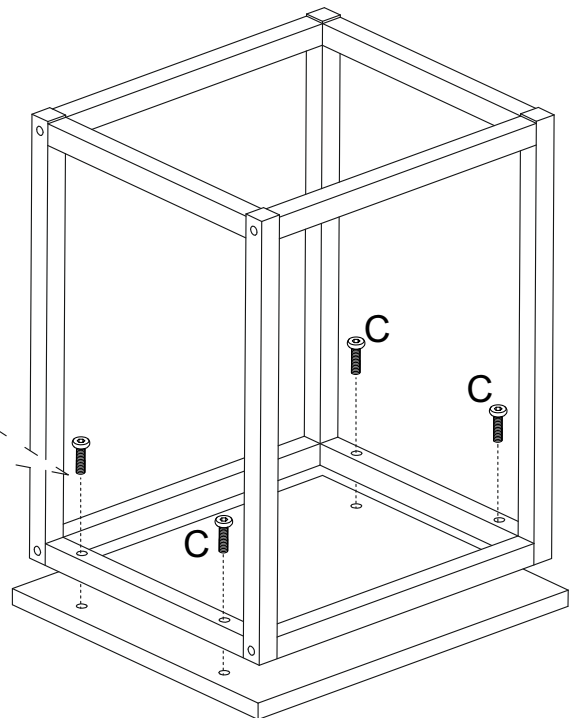
M6x30mm



M6x28mm

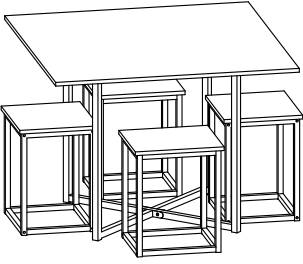


x4



STEP 5

PARTS REQUIRED



HARDWARE REQUIRED

TOOLS REQUIRED

