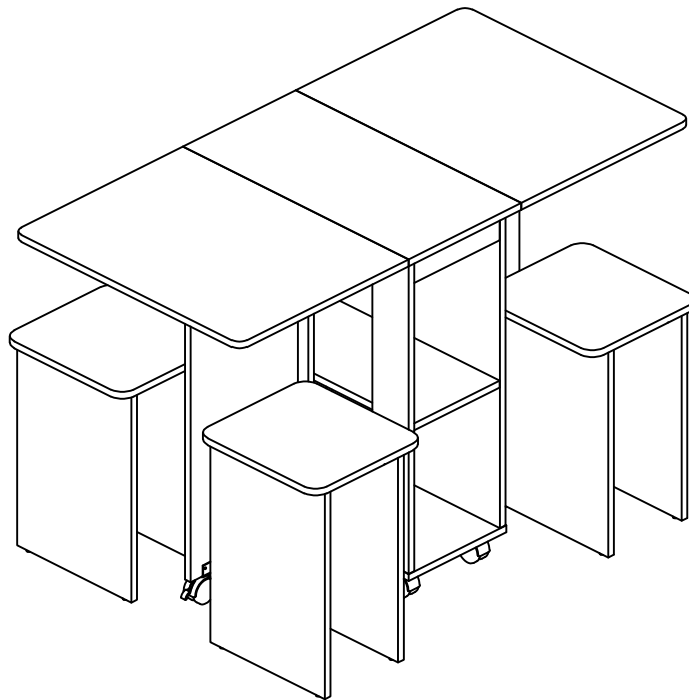


SEYMORE STOWAWAY DINING SET ASSEMBLY INSTRUCTIONS



IMPORTANT FOR DOMESTIC USE ONLY PLEASE READ BEFORE YOU CONTINUE FURTHER

THE PRODUCT YOU HAVE PURCHASED WILL GIVE YOU MANY YEARS OF SERVICE IF YOU FOLLOW THE GUIDELINES FOR ITS SAFE ASSEMBLY AND PERIODIC MAINTENANCE AND CLEANING.

ASSEMBLE ON A SOFT CLEAN SURFACE.

DO NOT USE ANY TOOLS OTHER THAN THOSE SHOWN.

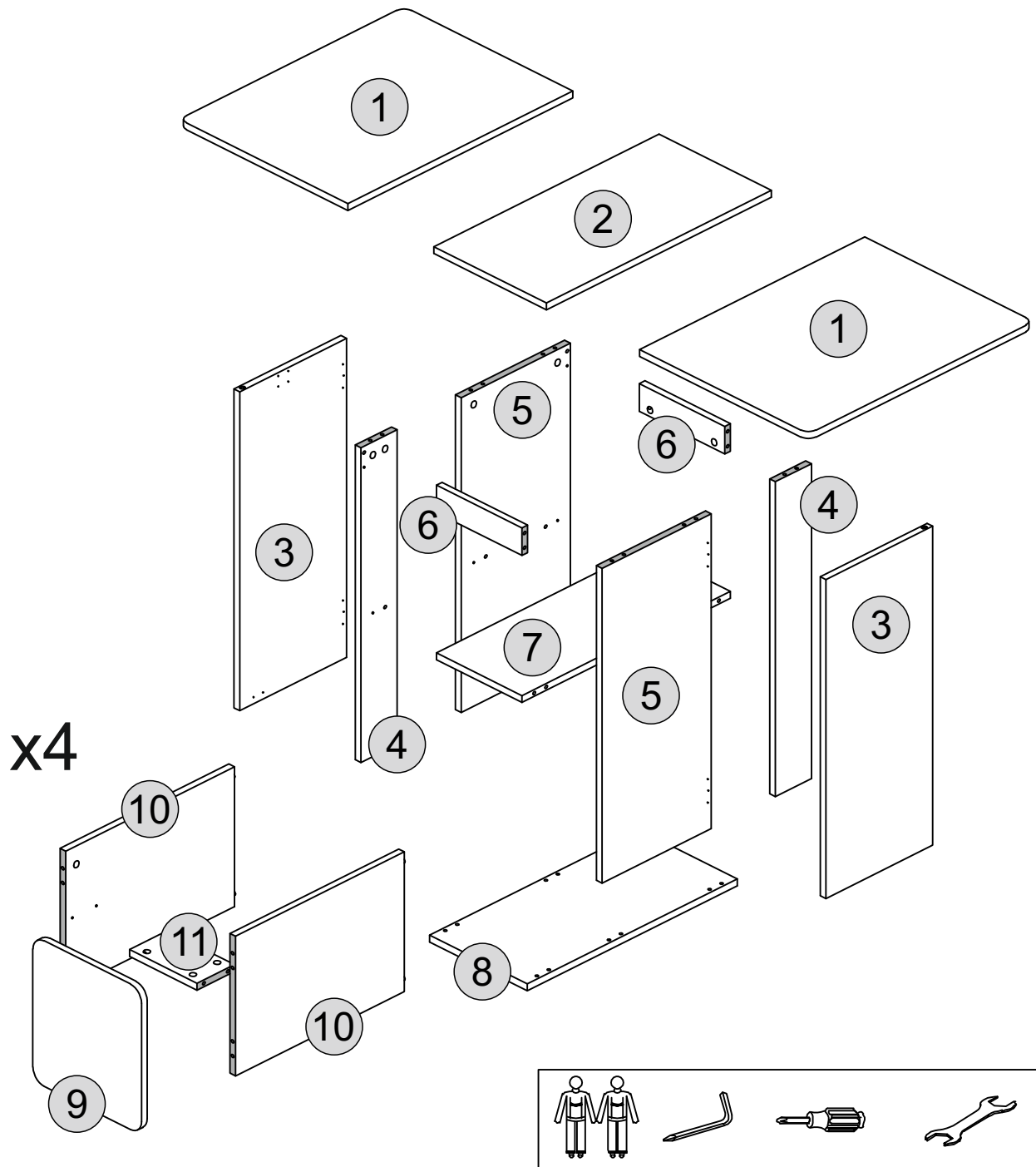
ANY SPANNERS OR ALLEN KEYS REQUIRED ARE INCLUDED WITH THE FITTINGS KIT.

DO NOT FOR ANY REASON USE A POWER TOOL TO ASSEMBLE THIS PRODUCT. ITS USE WILL INVALIDATE ANY CLAIM YOU MAY HAVE AND COULD MAKE THIS PRODUCT UNSAFE.

DEPENDING ON THE AMOUNT OF USE THIS PRODUCT RECIEVES IT MAY BE NECESSARY TO TIGHTEN UP THE FIXINGS FROM TIME TO TIME. THIS IS COMPLETELY NORMAL FOR ANY FLAT PACK FURNITURE.
DO NOT OVERTIGHTEN FIXINGS.

FOR CLEANING, YOU MAY USE A DAMP CLOTH (NOT WET) DO NOT USE POLISH, DETERGENT OR CHEMICAL CLEANERS.

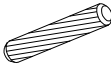
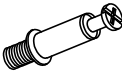

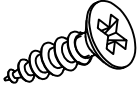
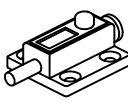

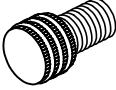

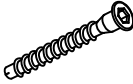



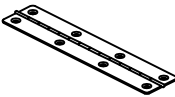
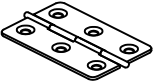
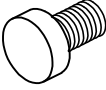
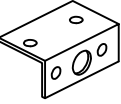

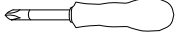

THE SURFACE OF THIS ITEM IS NOT HEAT RESISTANT. ALWAYS USE A PLACE MAT UNDER HOT OR COLD ITEMS TO PREVENT MARKING.



PARTS LIST


Part Number	Part Code	Part Description	Quantity	Carton
1	S400-401-327-RJ1-01	Table Top End	2	1/1
2	S400-401-327-RJ1-02	Table Top Centre	1	1/1
3	S400-401-327-RJ1-03	Fold Out Panel	2	1/1
4	S400-401-327-RJ1-04	Small Side panel	2	1/1
5	S400-401-327-RJ1-05	Large Side panel	2	1/1
6	S400-401-327-RJ1-06	Table Crossbar	2	1/1
7	S400-401-327-RJ1-07	Shelf	1	1/1
8	S400-401-327-RJ1-08	Bottom	1	1/1
9	S400-401-327-RJ1-09	Seat pad	4	1/1
10	S400-401-327-RJ1-10	Stool Side frame	4	1/1
11	S400-401-327-RJ1-11	Stool Crossbar	4	1/1

HARDWARE LIST

<p>A  +3</p> <p>Ø7.8 x30mm 34 PCS</p>	<p>B  +4</p> <p>Ø6 x 35mm 50 PCS</p>	<p>C  +4</p> <p>Ø15 x 12mm 50 PCS</p>
<p>D  +4</p> <p>Ø6xØ3x14 64 PCS</p>	<p>E  2PCS</p> <p>39*36*16mm 2PCS</p>	<p>F  +2</p> <p>Ø8 x Ø4x14mm 24 PCS</p>
<p>G  2PCS</p> <p>Ø10*20mm 2PCS</p>	<p>H  2PCS</p> <p>M6*20mm 2PCS</p>	<p>I  +1</p> <p>Ø7*38mm 8 PCS</p>
<p>J  4PCS</p> <p>H63mm 4PCS</p>	<p>K  2PCS</p> <p>H63mm 2PCS</p>	<p>L  1PC</p> <p>M4 1PC</p>
<p>M  4PCS</p> <p>200x38mm 4PCS</p>	<p>N  4PCS</p> <p>66*38mm 4PCS</p>	<p>O  +1</p> <p>Ø10x6.5mm 4 PCS</p>
<p>P  2PCS</p> <p>2PCS</p>	<p>Q  +3</p> <p>Ø20mm 50 PCS</p>	<p>R  1PC</p> <p>1PC</p>
<p>S  1PC</p> <p>1PC</p>	<p>PLEASE CHECK THAT YOU HAVE ALL THE PARTS LISTED BEFORE YOU START ASSEMBLING. IF YOU DO FIND THAT SOMETHING IS MISSING. DO NOT CONTINUE ASSEMBLY. PLEASE CONTACT YOUR SUPPLIER IMMEDIATELY.</p>	


TIPS FOR FITTINGS CAM-LOCKS

WHEN FITTING A CAM NUT, ENSURE STARTING POSITION IS CORRECT BEFORE YOU INSERT CONNECTING CAM BOLT TURN CLOCKWISE UNTIL SECURE



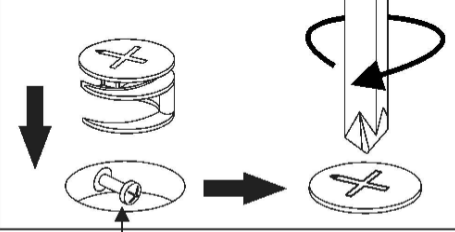
↑

CORRECT



↑

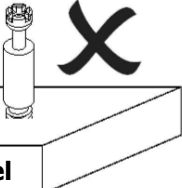
WRONG



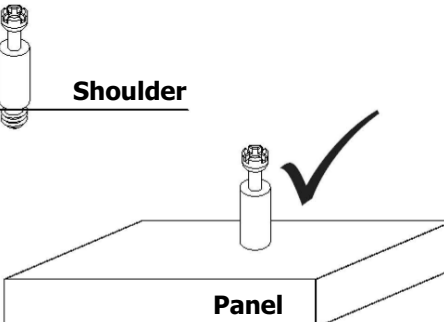
Cam bolt head needs to be in centre

CAMBOLT

Tighten until shoulder in flush with panel. Do not overtighten or undertighten (see example below)



Panel



Panel

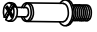
Shoulder

STEP 1

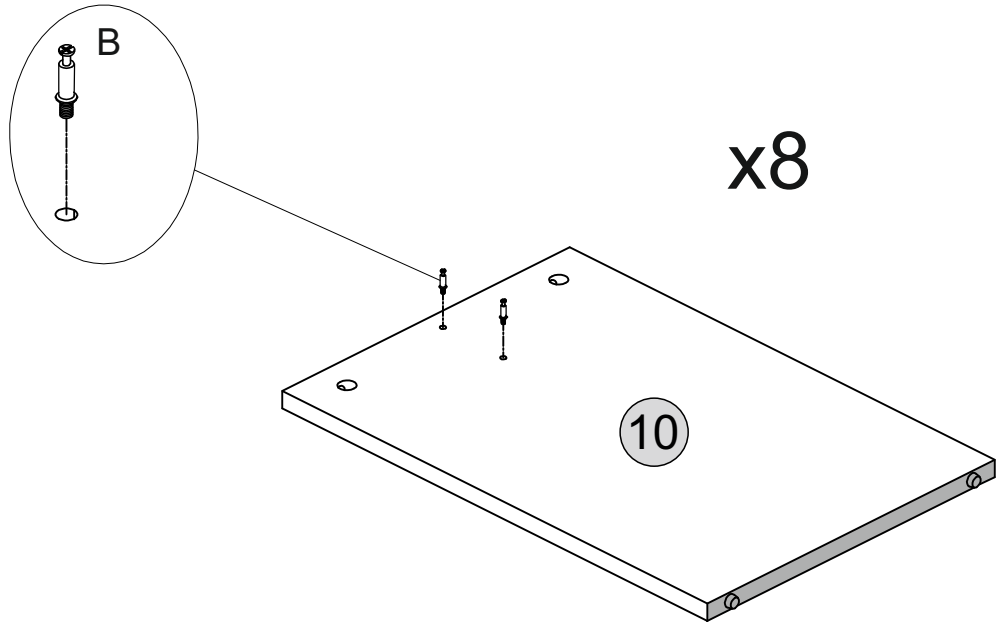
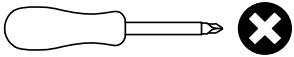
PARTS REQUIRED

10 - STOOL SIDE FRAME x8

HARDWARE REQUIRED

B  16

TOOLS REQUIRED



STEP 2

PARTS REQUIRED

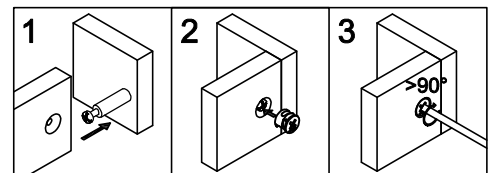
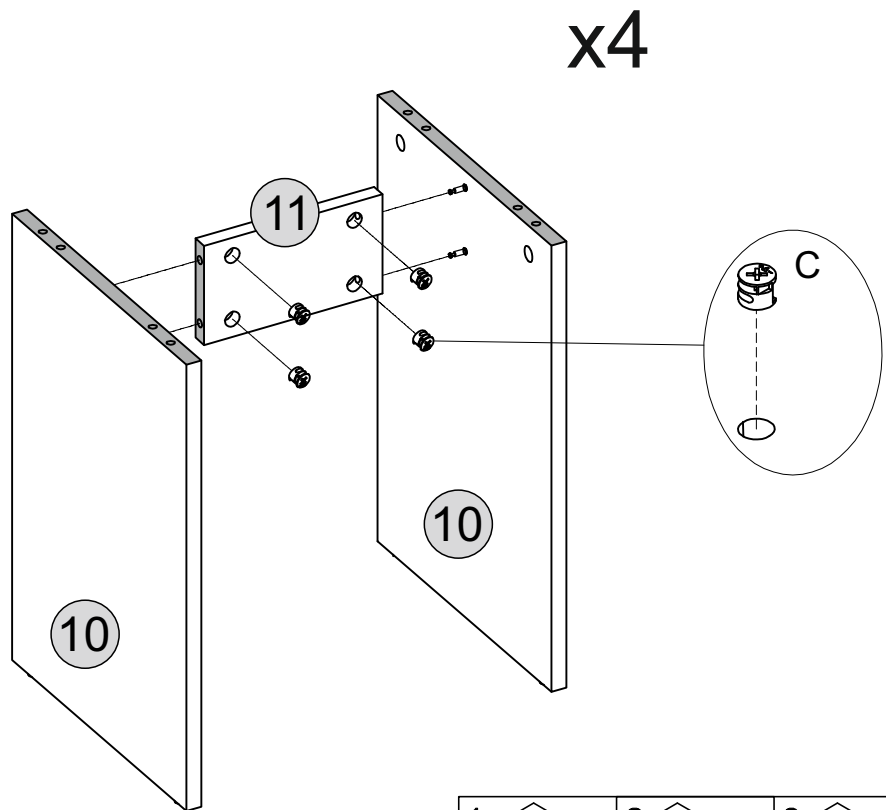
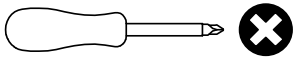
10 - STOOL SIDE FRAME x8

11 - STOOL CROSSBAR x4

HARDWARE REQUIRED

C  16

TOOLS REQUIRED

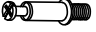


STEP 3

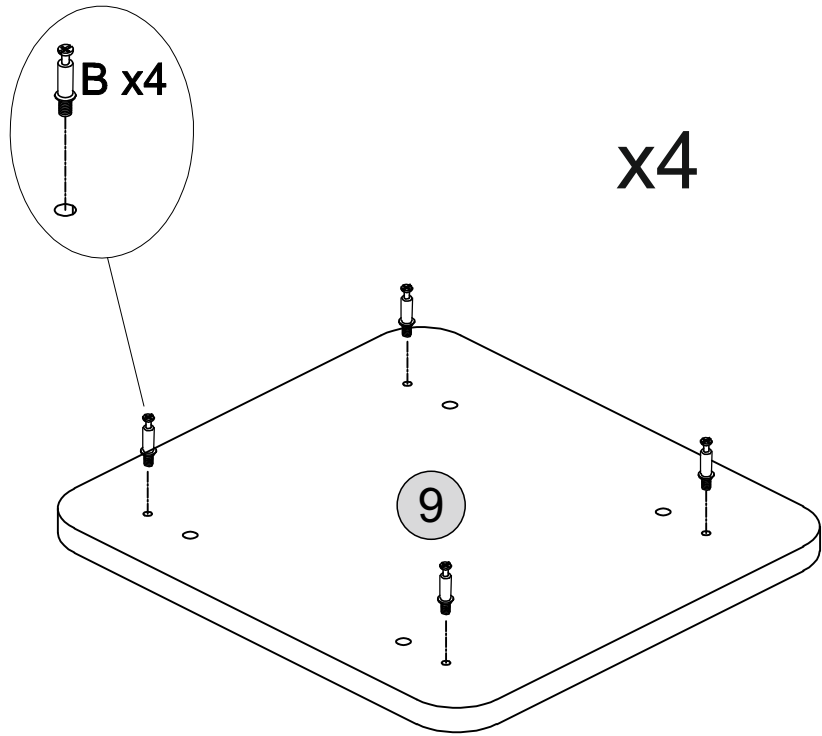
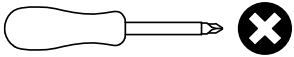
PARTS REQUIRED

9 - SEATPAD x4

HARDWARE REQUIRED

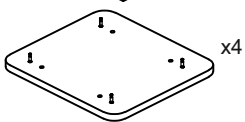
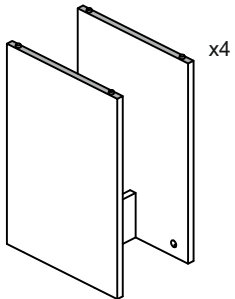
B  16

TOOLS REQUIRED



STEP 4

PARTS REQUIRED

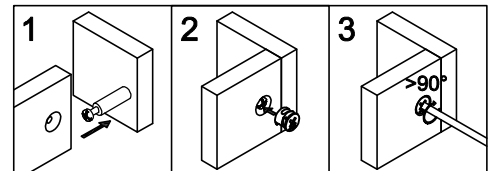
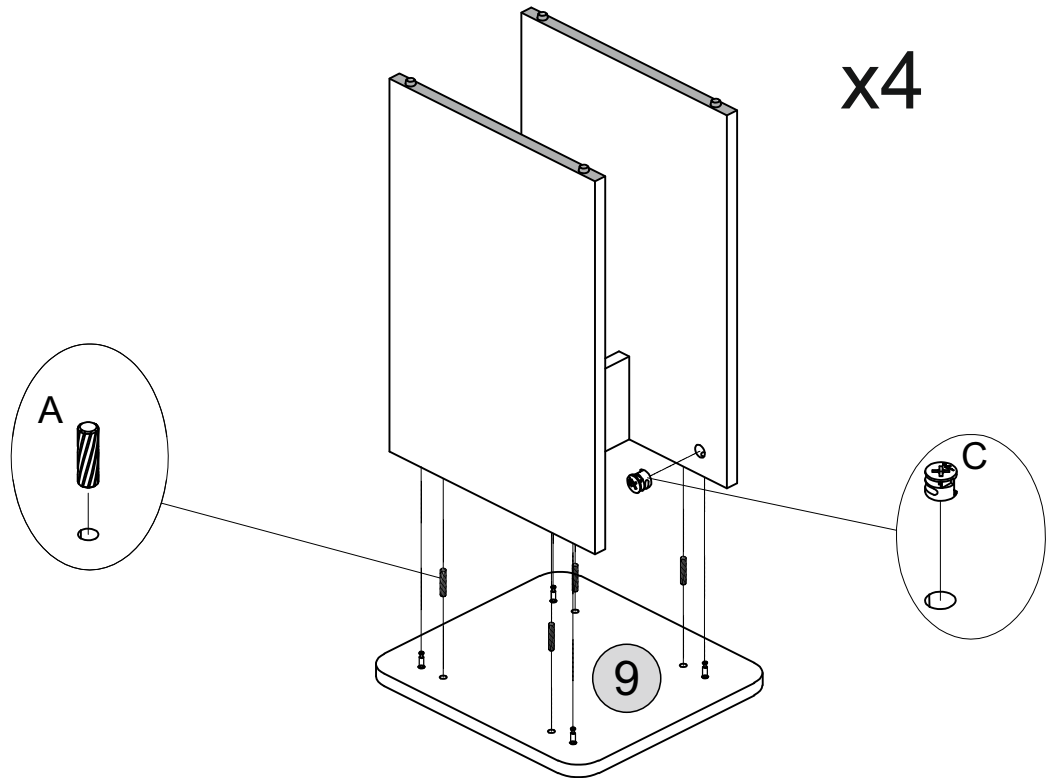
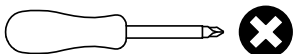


HARDWARE REQUIRED

A  16

C  16

TOOLS REQUIRED



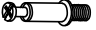
STEP 5

PARTS REQUIRED

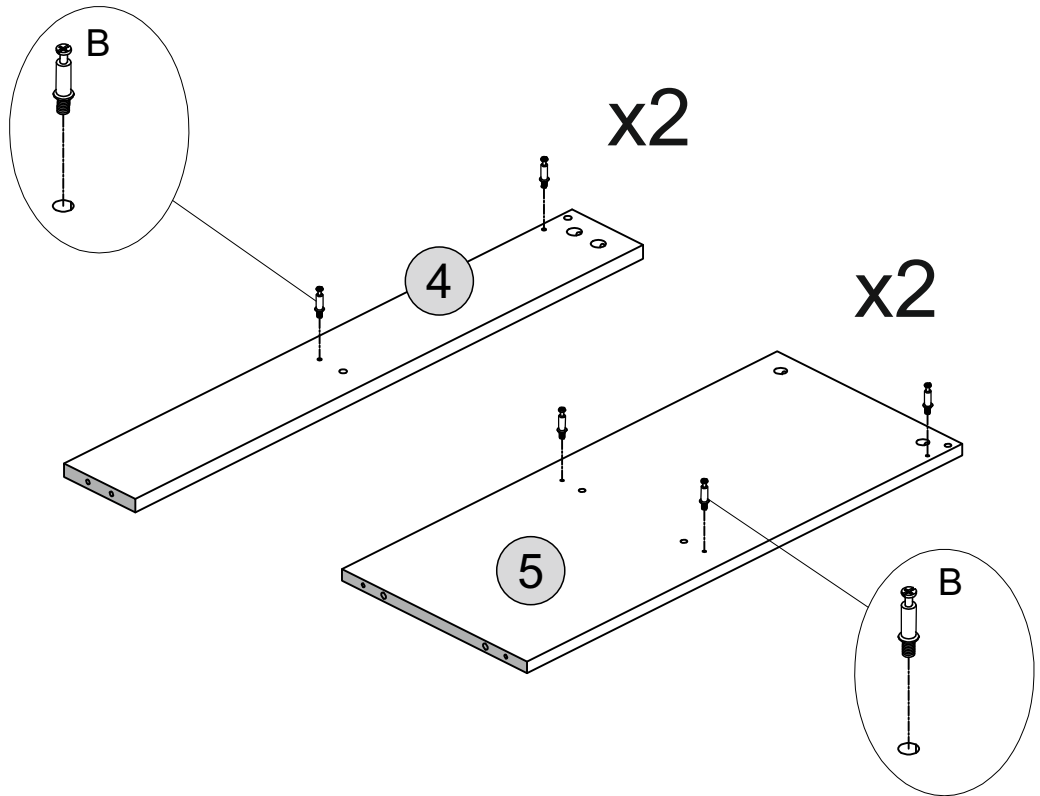
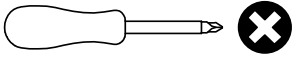
4 - SMALL SIDE PANEL x2

5 - LARGE SIDE PANEL x2

HARDWARE REQUIRED

B  10

TOOLS REQUIRED



STEP 6

PARTS REQUIRED

4 - SMALL SIDE PANEL x1

5 - LARGE SIDE PANEL x1

6 - TABLE CROSSBAR x2

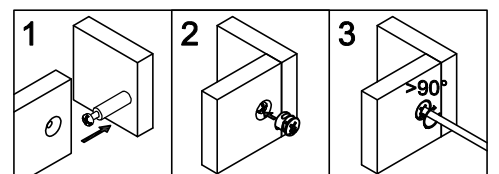
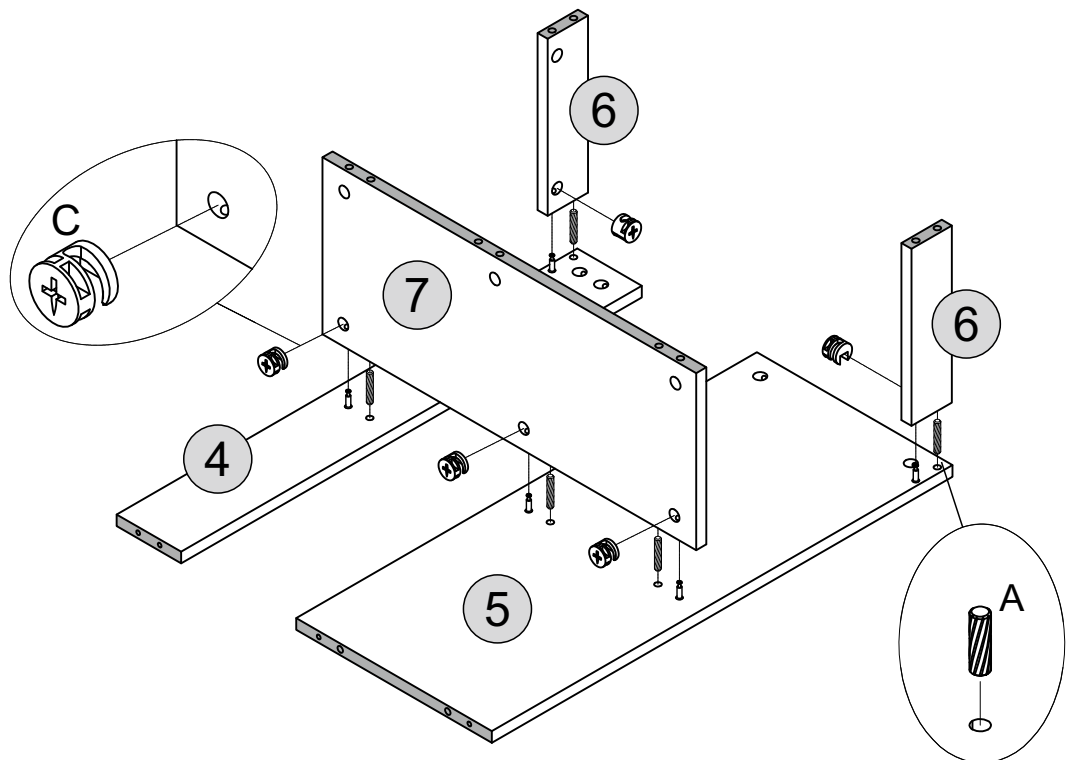
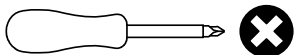
7 - SHELF x1

HARDWARE REQUIRED

A  05

C  05

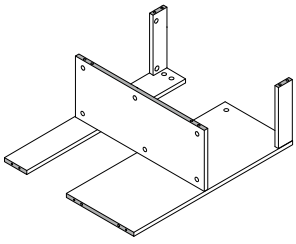
TOOLS REQUIRED





STEP 7

PARTS REQUIRED

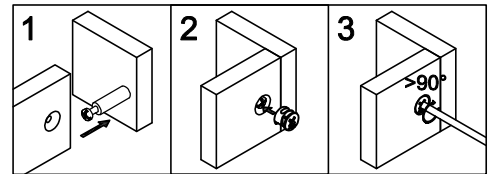
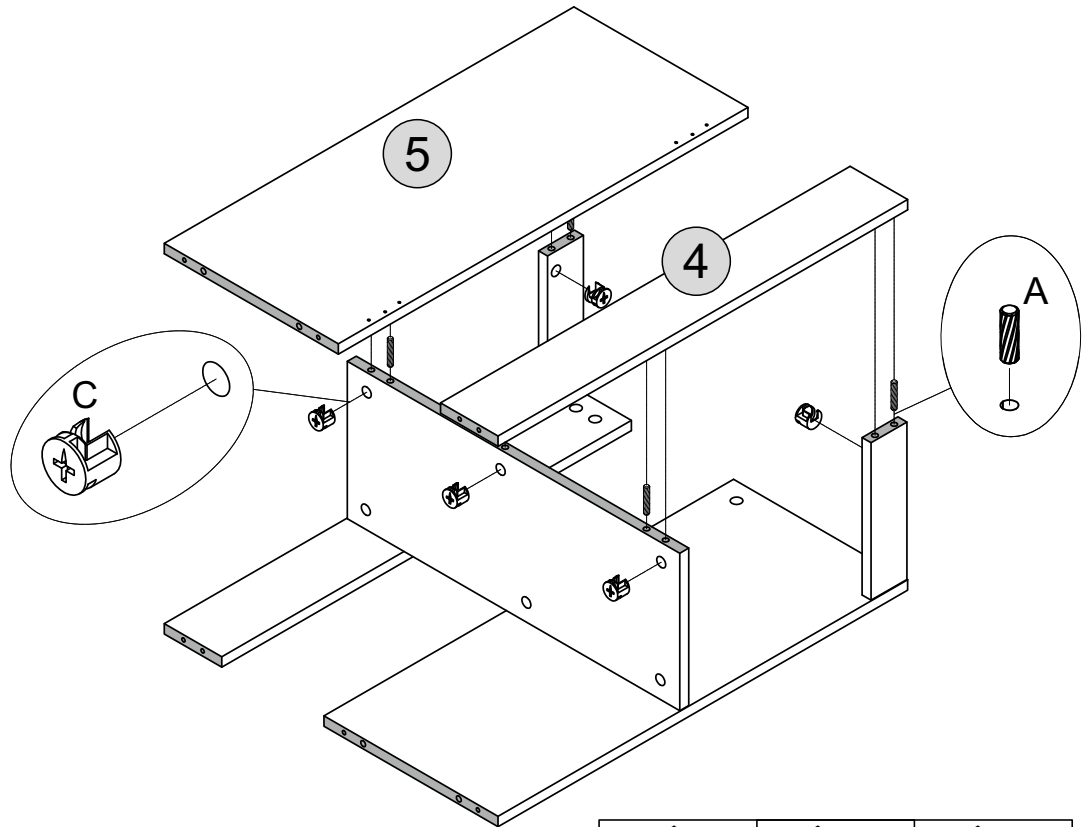
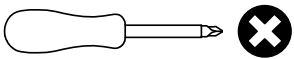
4 - SMALL SIDE PANEL	x1
5 - LARGE SIDE PANEL	x1



HARDWARE REQUIRED

A		05
C		05

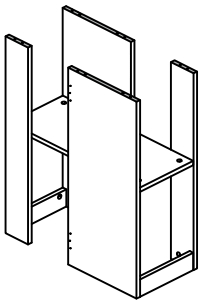
TOOLS REQUIRED





STEP 8

PARTS REQUIRED

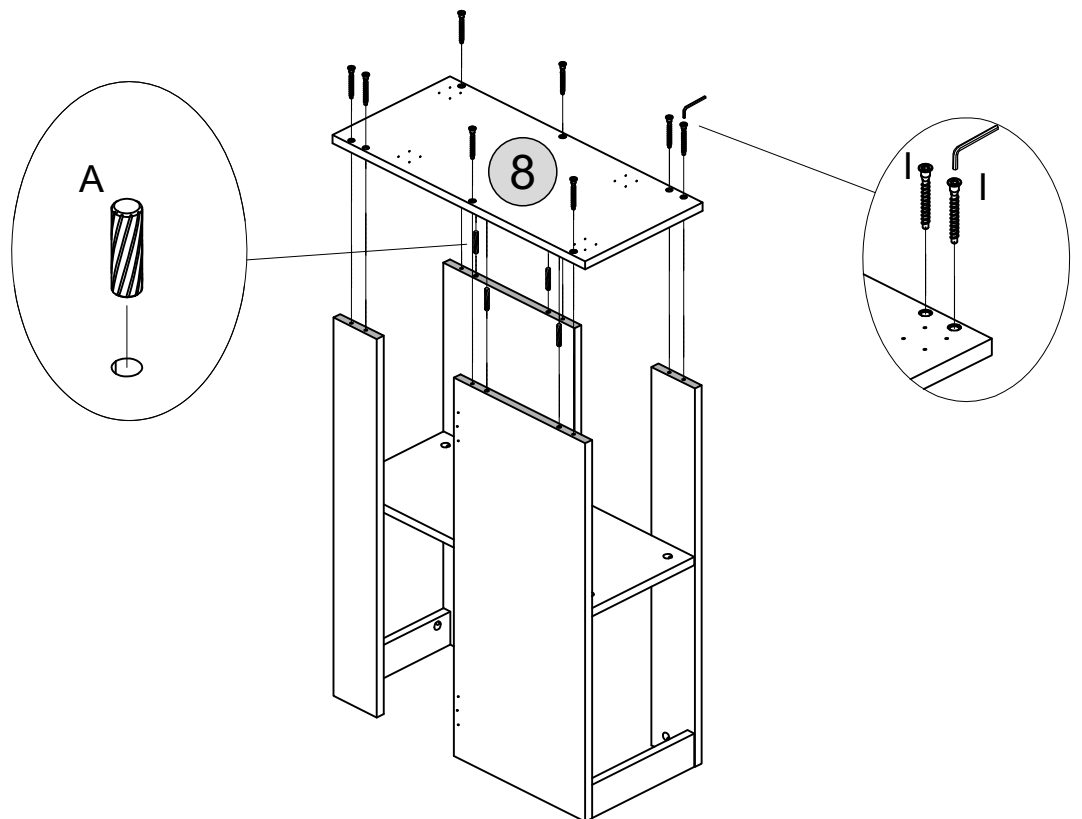
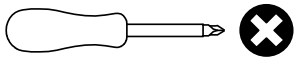
8 - BOTTOM	x1
------------	----



HARDWARE REQUIRED

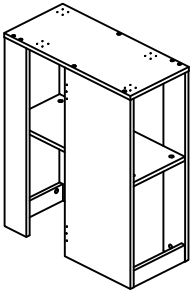
A		04
I		08

TOOLS REQUIRED



STEP 9

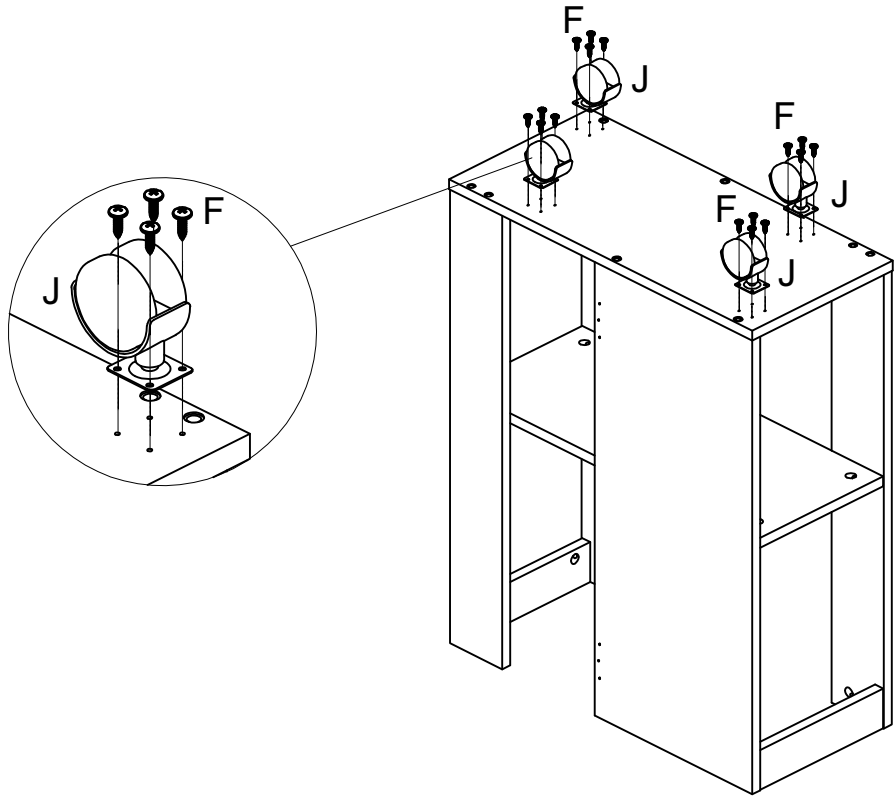
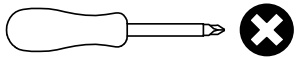
PARTS REQUIRED



HARDWARE REQUIRED

F		16
J		04

TOOLS REQUIRED



STEP 10

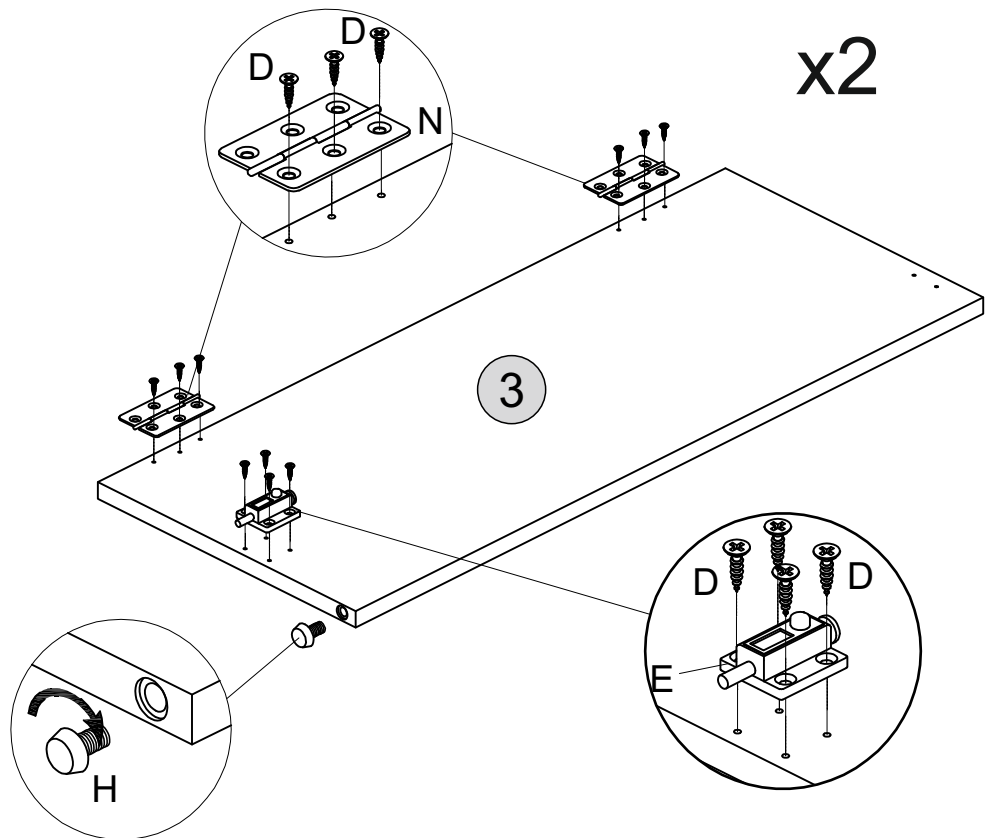
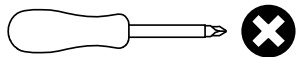
PARTS REQUIRED

3 - FOLD OUT PANEL	x2
--------------------	----

HARDWARE REQUIRED

D		20
E		02
H		02
N		04

TOOLS REQUIRED



STEP 11

PARTS REQUIRED

3 - FOLD OUT PANEL x2

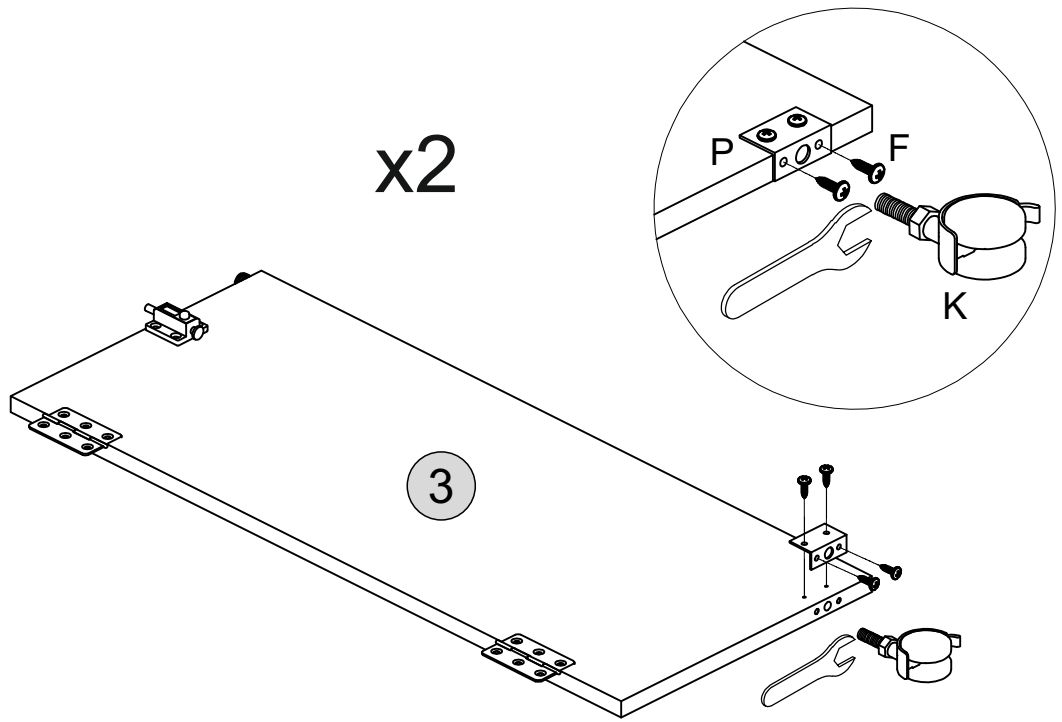
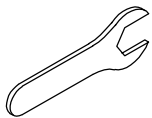
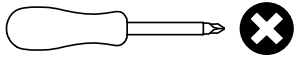
HARDWARE REQUIRED

F  08

K  02

P  02

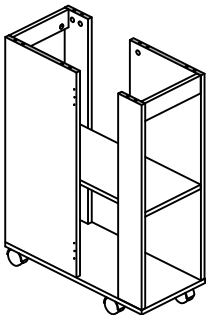
TOOLS REQUIRED



STEP 12

PARTS REQUIRED

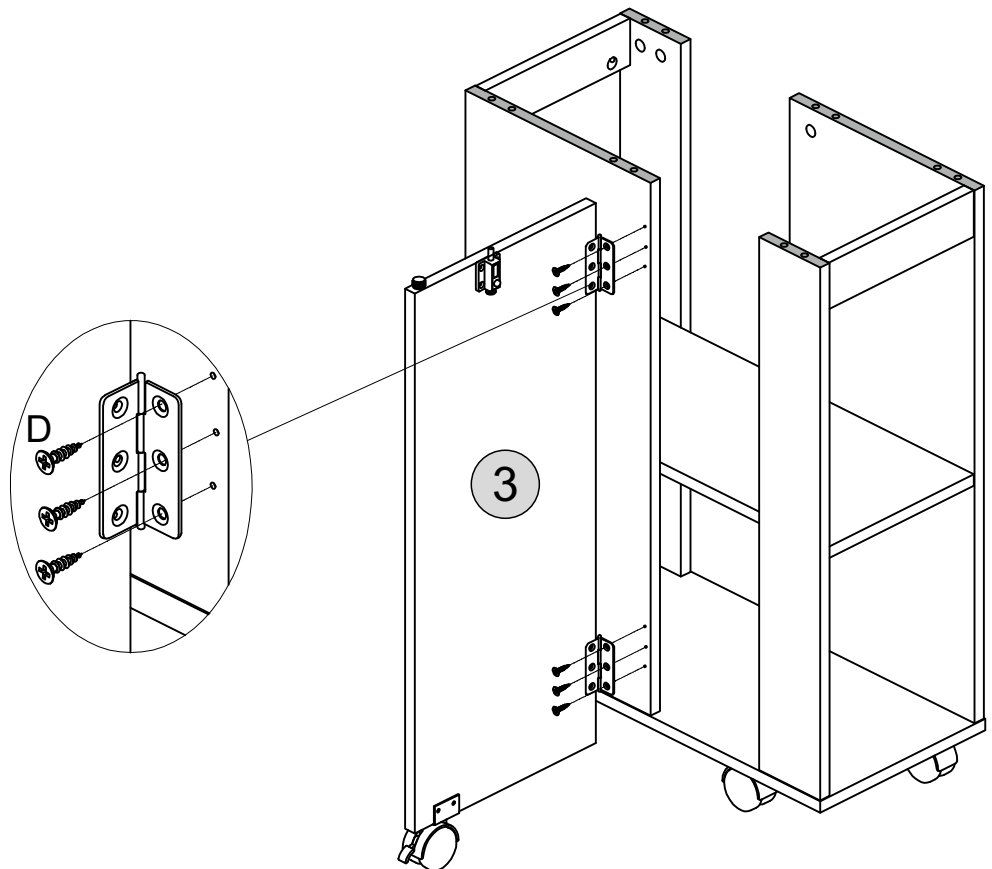
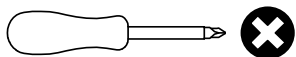
3 - FOLD OUT PANEL x1



HARDWARE REQUIRED

D  06

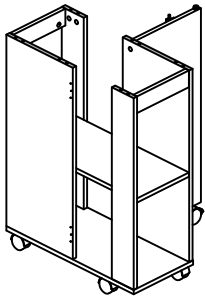
TOOLS REQUIRED



STEP 13

PARTS REQUIRED

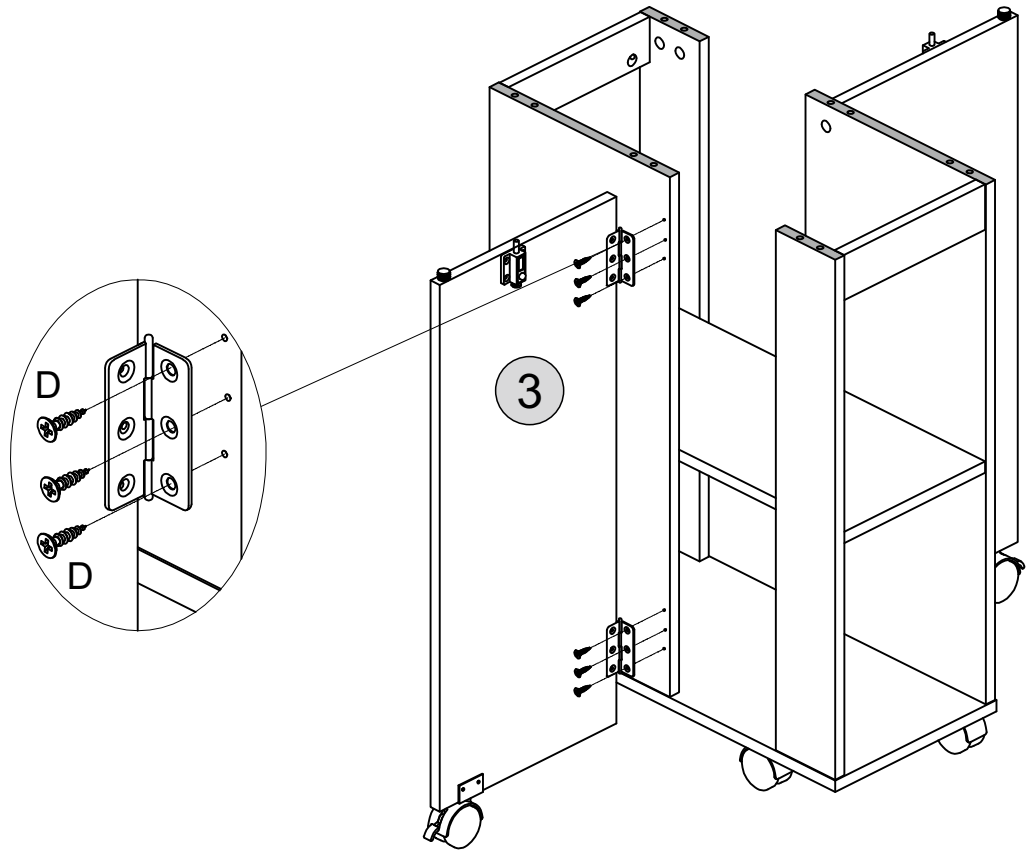
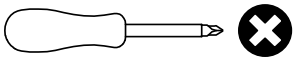
3 - FOLD OUT PANEL x1



HARDWARE REQUIRED

D  06

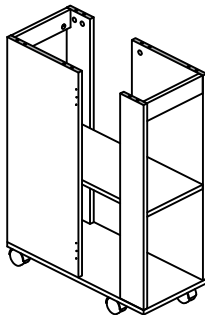
TOOLS REQUIRED



STEP 14

PARTS REQUIRED

1 - TABLE TOP END x2



HARDWARE REQUIRED

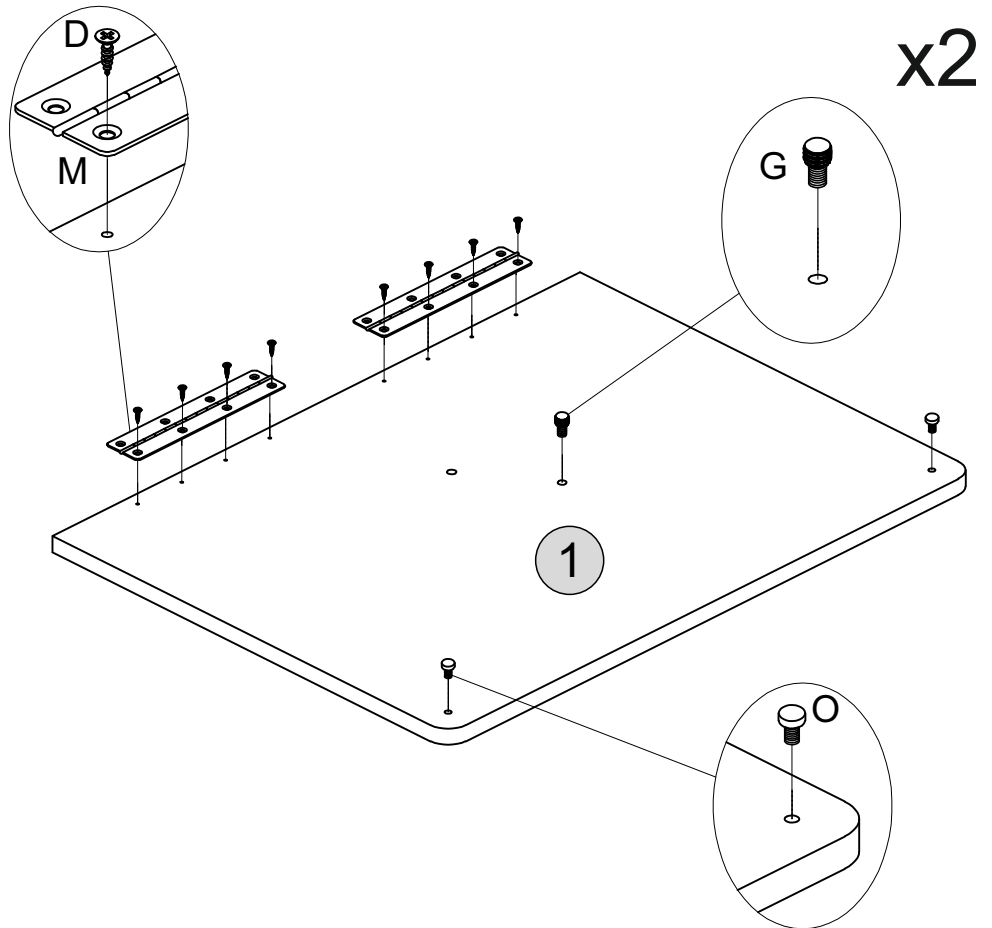
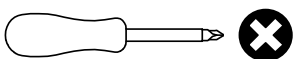
D  16

G  02

M  04

O  04

TOOLS REQUIRED



STEP 15

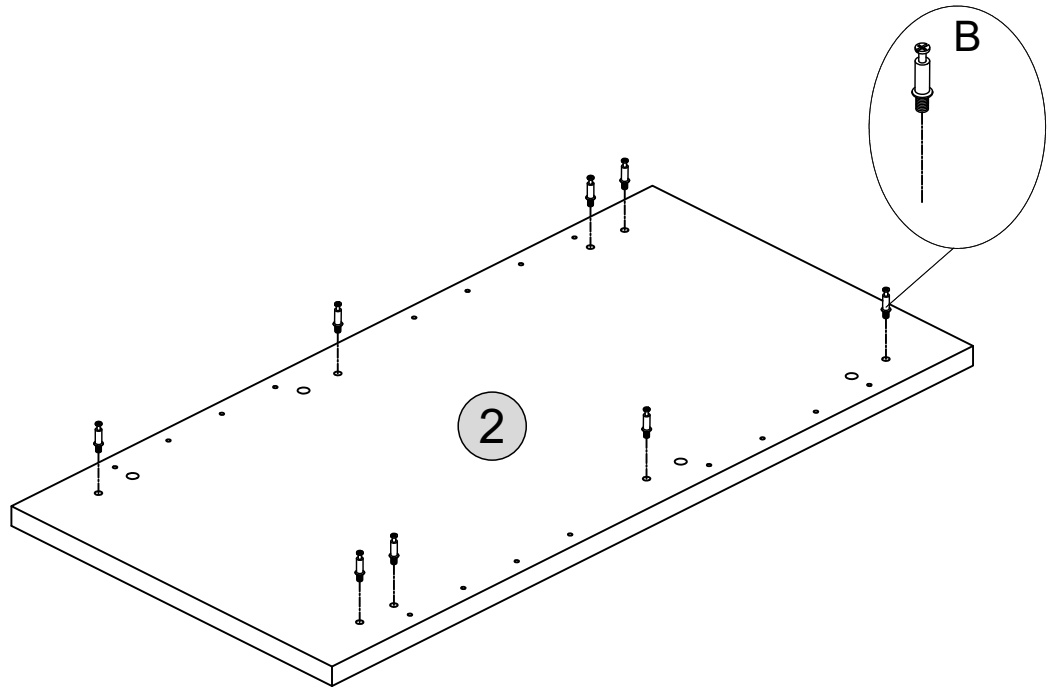
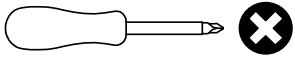
PARTS REQUIRED

2 - TABLE TOP CENTRE x1

HARDWARE REQUIRED

B  08

TOOLS REQUIRED



STEP 16

PARTS REQUIRED

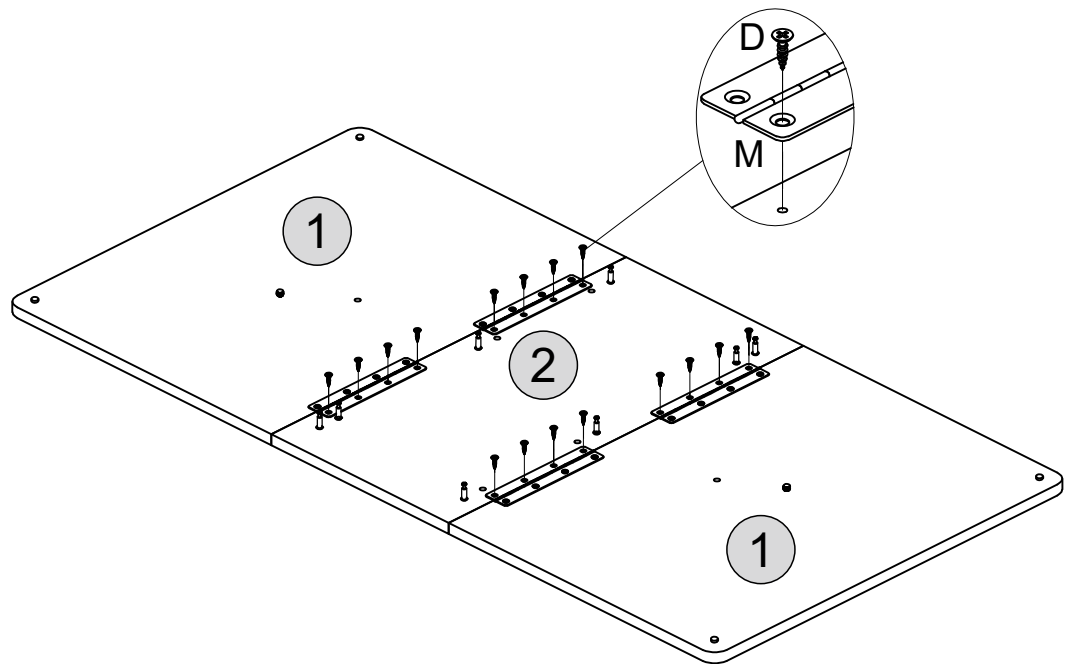
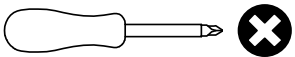
1 - TABLE TOP END x2

2 - TABLE TOP CENTRE x1

HARDWARE REQUIRED

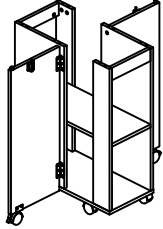
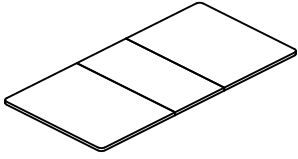
D  16

TOOLS REQUIRED



STEP 17

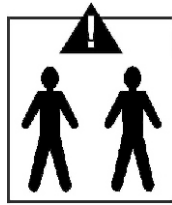
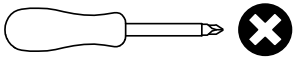
PARTS REQUIRED



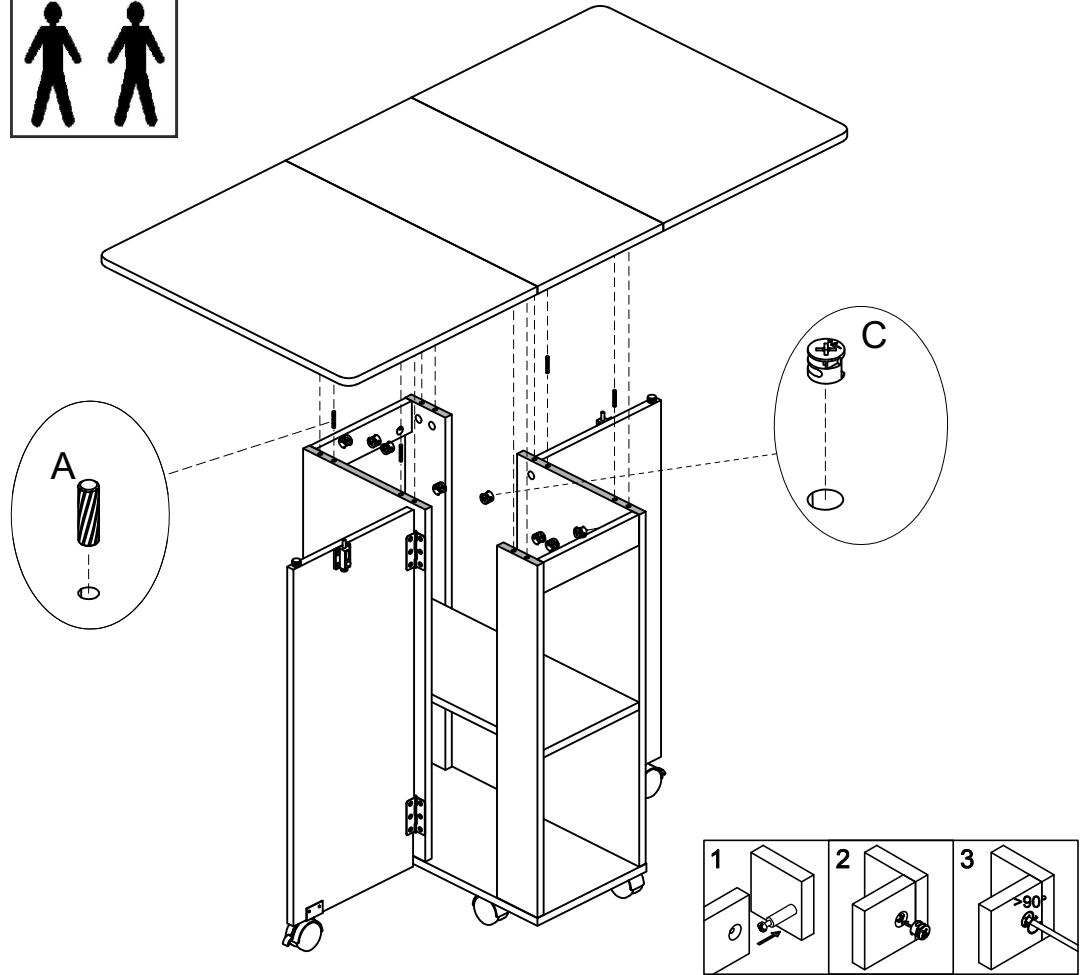
HARDWARE REQUIRED



TOOLS REQUIRED



REQUIRES TWO PEOPLE TO LIFT ON TABLE TOP



STEP 18

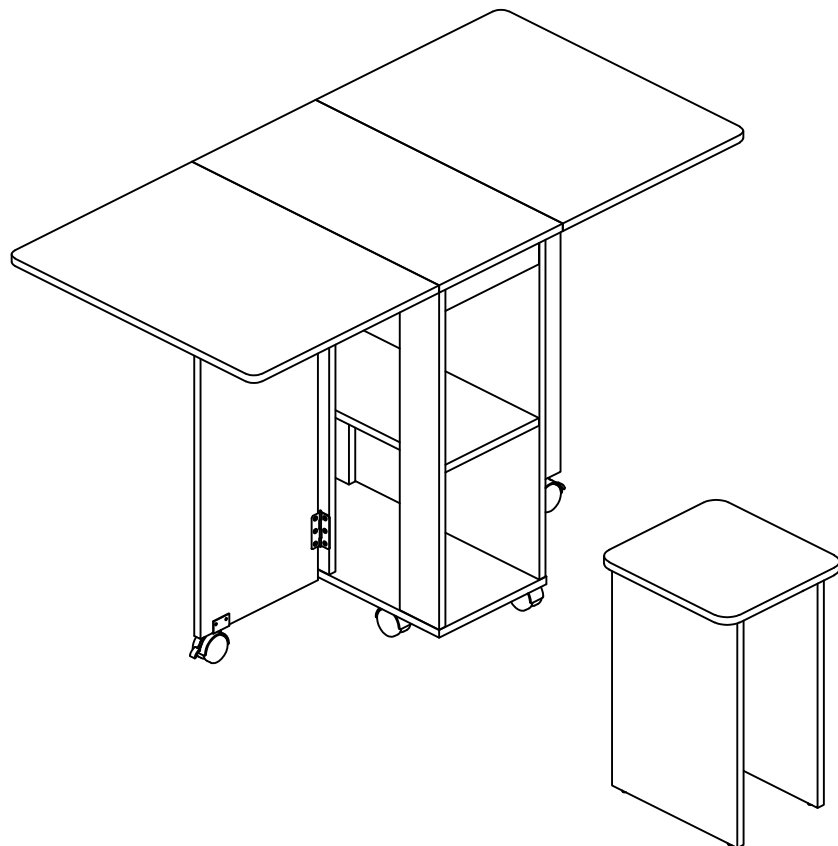
PARTS REQUIRED

HARDWARE REQUIRED



TOOLS REQUIRED

ALL CAM NUTS CAN NOW BE COVERED WITH THE PROVIDED STICKERS.



x4