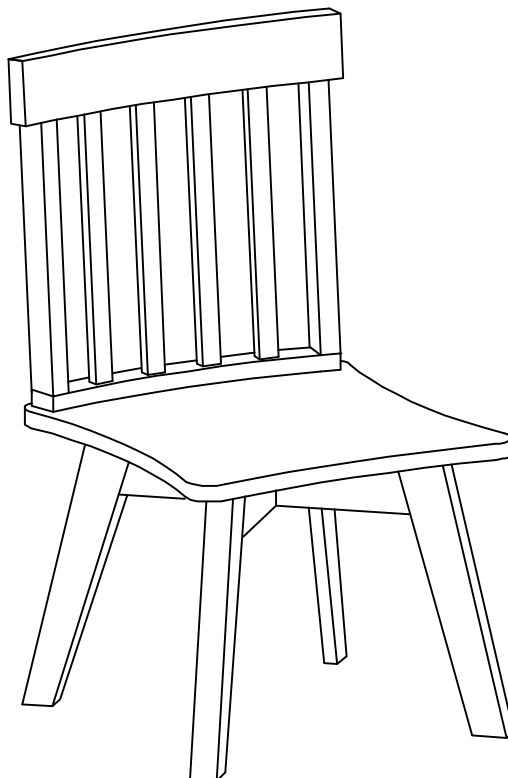


MATLOCK DINING CHAIR ASSEMBLY INSTRUCTIONS



FOR DOMESTIC USE ONLY **IMPORTANT**

PLEASE READ BEFORE YOU CONTINUE FURTHER

THE PRODUCT YOU HAVE PURCHASED WILL GIVE YOU MANY YEARS OF SERVICE IF YOU FOLLOW THE GUIDELINES FOR ITS SAFE ASSEMBLY AND PERIODIC MAINTENANCE AND CLEANING.

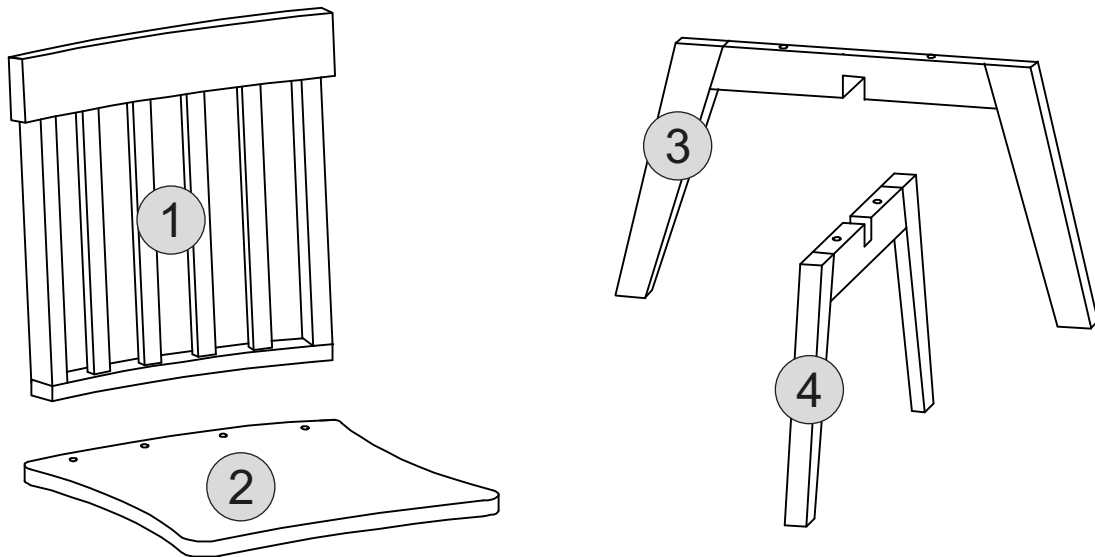
DO NOT USE ANY TOOLS OTHER THAN THOSE SHOWN.

ANY SPANNERS OR ALLEN KEYS REQUIRED ARE INCLUDED WITH THE FITTINGS KIT.

DO NOT FOR ANY REASON USE A POWER TOOL TO ASSEMBLE THIS PRODUCT. ITS USE WILL INVALIDATE ANY CLAIM YOU MAY HAVE AND COULD MAKE THIS PRODUCT UNSAFE.

DEPENDING ON THE AMOUNT OF USE THIS PRODUCT RECEIVES IT MAY BE NECESSARY TO TIGHTEN UP THE FIXINGS FROM TIME TO TIME. THIS IS COMPLETELY NORMAL FOR ANY FLAT PACK FURNITURE.

FOR CLEANING YOU MAY USE A DAMP CLOTH (NOT WET) DRY DUSTER AND NORMAL FURNITURE POLISH.







PLEASE CHECK THAT YOU HAVE ALL THE PARTS LISTED BEFORE YOU START ASSEMBLING. IF YOU DO FIND THAT SOMETHING IS MISSING, DO NOT CONTINUE ASSEMBLY. PLEASE CONTACT YOUR SUPPLIER IMMEDIATELY.

PART LIST

Part Number	Part Code	Part Description	Quantity	Carton
1	S400-402-134-HA1-01	Chair Back	1	1/1
2	S400-402-134-HA1-02	Seat Pad	1	1/1
3	S400-402-134-HA1-03	Chair Leg (Top)	1	1/1
4	S400-402-134-HA1-04	Chair Leg (Bottom)	1	1/1

HARDWARE LIST

No	Part Name		Qty	Carton
A	Bolt (5/16*2-1/2"L)		x8	1
B	Spring Washer (5/16"*1/2)		x8	1
C	Flat Washer (5/16"*3/4")		x8	1
D	Allen Key (5mm)		x1	1

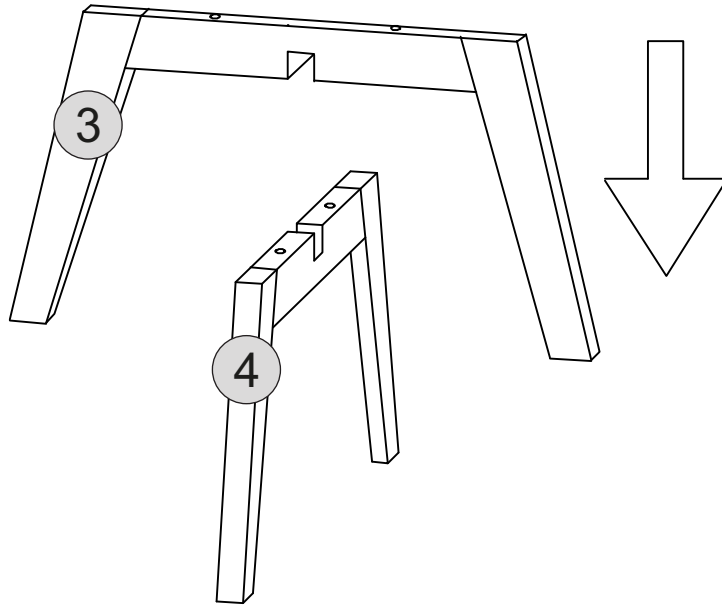
STEP 1

PARTS REQUIRED

3 - CHAIR LEG (TOP)	x1
4 - CHAIR LEG (BOTTOM)	x1

HARDWARE REQUIRED

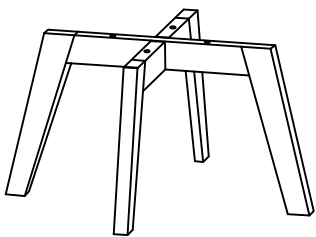
TOOLS REQUIRED



STEP 2

PARTS REQUIRED

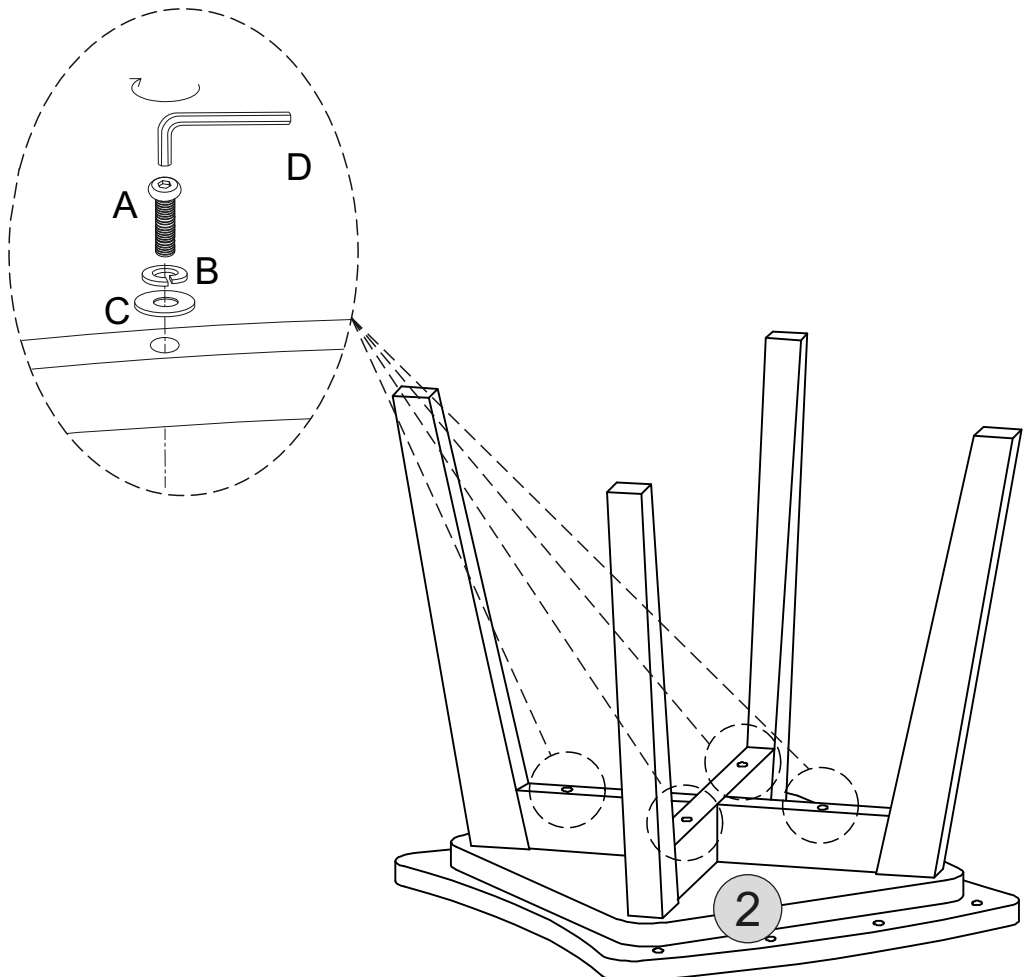
2 - SEAT PAD	x1
--------------	----



HARDWARE REQUIRED

A		04
B		04
C		04

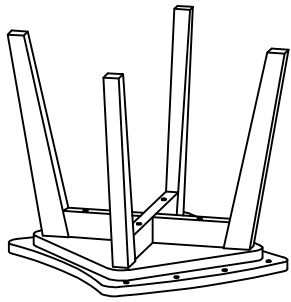
TOOLS REQUIRED






STEP 3

PARTS REQUIRED

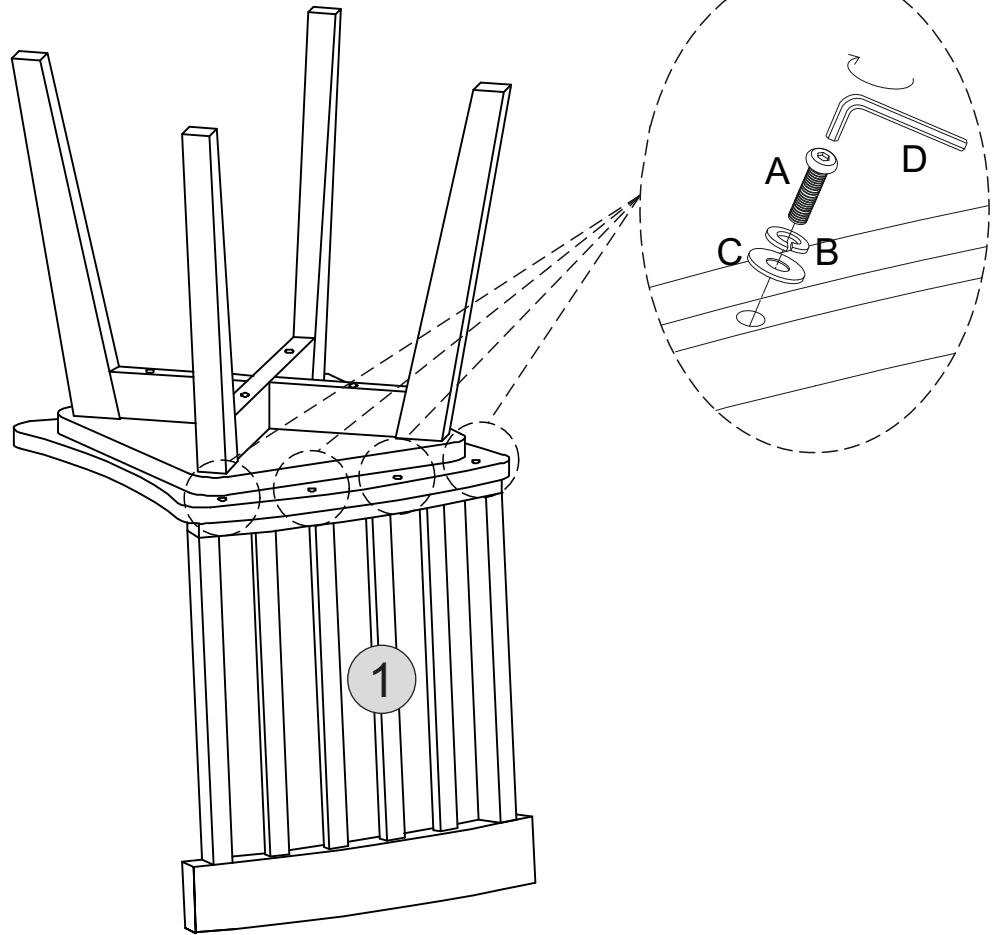
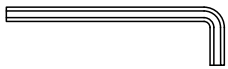
1 - CHAIR BACK x1



HARDWARE REQUIRED

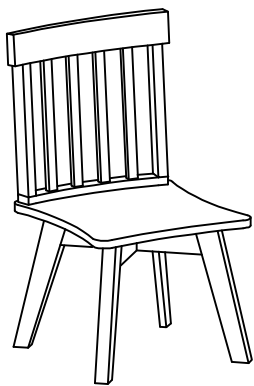
- A  04
- B  04
- C  04

TOOLS REQUIRED



STEP 4

PARTS REQUIRED



HARDWARE REQUIRED

TOOLS REQUIRED

