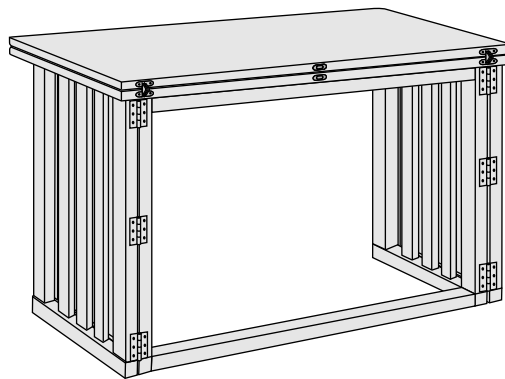
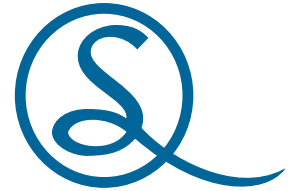
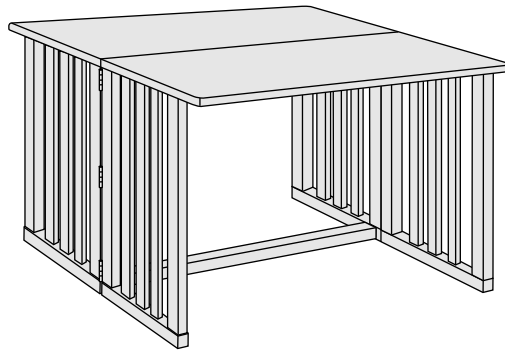


RICHMOND FOLDAWAY DINING TABLE ASSEMBLY INSTRUCTIONS



**FOR DOMESTIC USE ONLY
IMPORTANT**

PLEASE READ BEFORE YOU CONTINUE FURTHER

THE PRODUCT YOU HAVE PURCHASED WILL GIVE YOU MANY YEARS OF SERVICE IF YOU FOLLOW THE GUIDELINES FOR ITS SAFE ASSEMBLY AND PERIODIC MAINTENANCE AND CLEANING.

ASSEMBLE ON A SOFT CLEAN SURFACE.

DO NOT USE ANY TOOLS OTHER THAN THOSE SHOWN.

ANY SPANNERS OR ALLEN KEYS REQUIRED ARE INCLUDED WITH THE FITTINGS KIT.

DO NOT FOR ANY REASON USE A POWER TOOL TO ASSEMBLE THIS PRODUCT. ITS USE WILL INVALIDATE ANY CLAIM YOU MAY HAVE AND COULD MAKE THIS PRODUCT UNSAFE.

DEPENDING ON THE AMOUNT OF USE THIS PRODUCT RECEIVES IT MAY BE NECESSARY TO TIGHTEN UP THE FIXINGS FROM TIME TO TIME. THIS IS COMPLETELY NORMAL FOR ANY FLAT PACK FURNITURE.

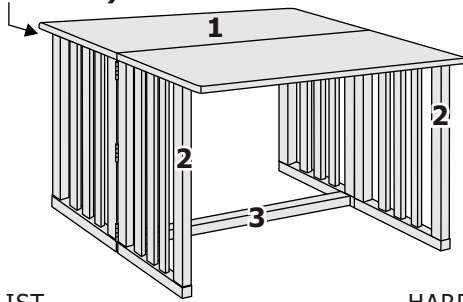
DO NOT OVERTIGHTEN FIXINGS.

FOR CLEANING, YOU MAY USE A DAMP CLOTH (NOT WET). DO NOT USE POLISH, DETERGENT OR CHEMICAL CLEANERS.

THE SURFACE OF THIS ITEM IS NOT HEAT RESISTANT. ALWAYS USE A PLACE MAT UNDER HOT OR COLD ITEMS TO PREVENT MARKING.

RICHMOND FOLDAWAY DINING TABLE ASSEMBLY INSTRUCTIONS

4 (At Bottom)



PLEASE CHECK THAT YOU HAVE ALL THE PARTS LISTED BEFORE YOU START ASSEMBLING. IF YOU DO FIND THAT SOMETHING IS MISSING, DO NOT CONTINUE ASSEMBLY. PLEASE CONTACT YOUR SUPPLIER IMMEDIATELY.

PARTS LIST

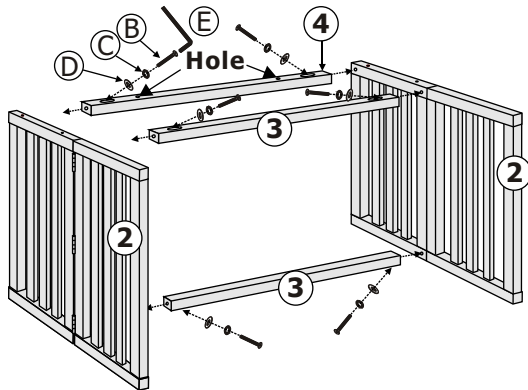
PART	DESCRIPTION	QTY
1	TABLE TOP	1PCS
2	TABLE LEG	2PCS
3	FRAME SUPPORT	2PCS
4	FRAME SUPPORT WITH HOLE	1PC

HARDWARE LIST

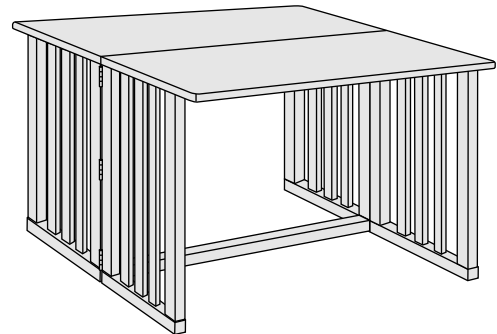
PART	DESCRIPTION		QTY
A	JCBC SCREW M6 X 50MM (RB)		6PCS
B	JCBC SCREW M6 X 60MM (RB)		6PCS
C	SPRING WASHER M6 x 13.5MM (RB)		12PCS
D	FLAT WASHER M6 X 13.5MM (RB)		12PCS
E	ALLEN KEY M4 X 30 X 115MM BALL SHAPE(BLK)		1PC

STEP 1

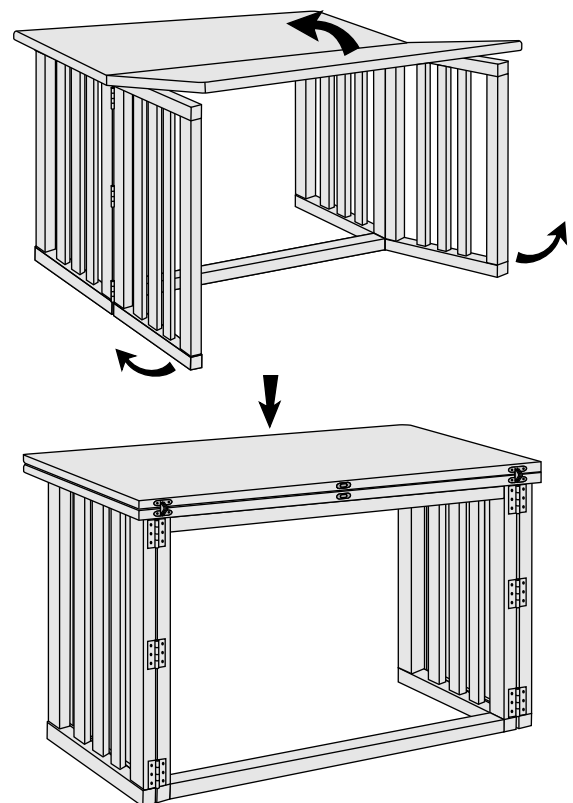
Attach the Frame Support (3 & 4) to the Table Leg (2) using JCBC screw (B), Spring Washer (C) & Flat Washer (D). Fully tighten up using Allen Key (E).



Function 1

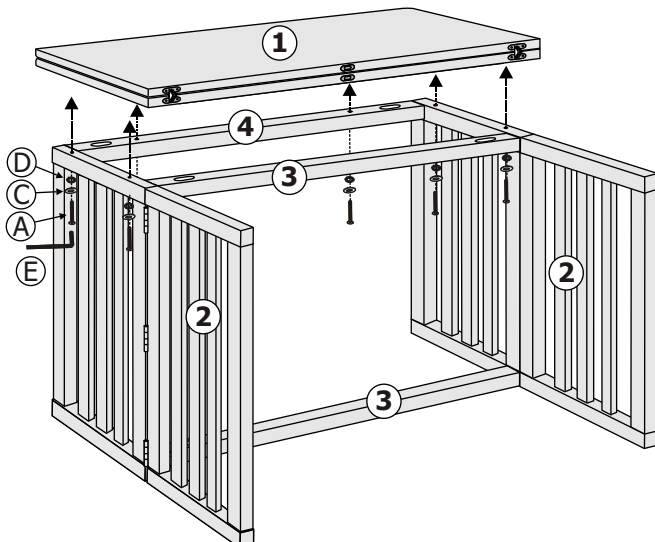


Function 2



STEP 2

Attach the Table Top (1) to the Table Leg (2) and Frame Support (4) using JCBC screw (A), Spring Washer (C) & Flat Washer (D). Fully tighten up using Allen Key (E).



THE USE OF POWER TOOLS TO ASSEMBLE THIS PRODUCT WILL INVALIDATE ANY CLAIM AND MAY DAMAGE THIS PRODUCT MAKING IT UNSAFE.

