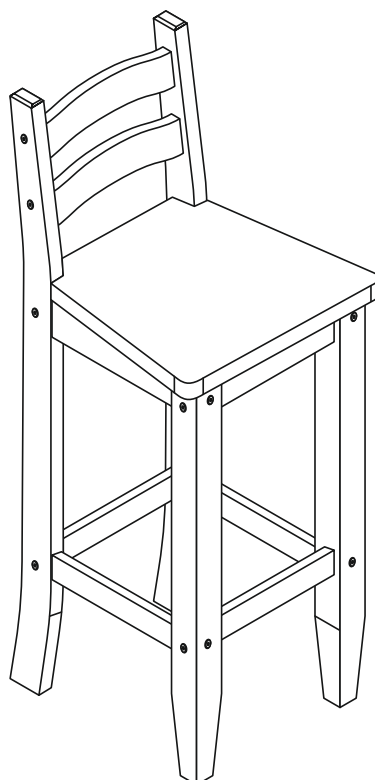
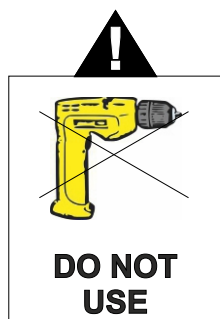


CORONA BAR CHAIR ASSEMBLY INSTRUCTIONS



IMPORTANT

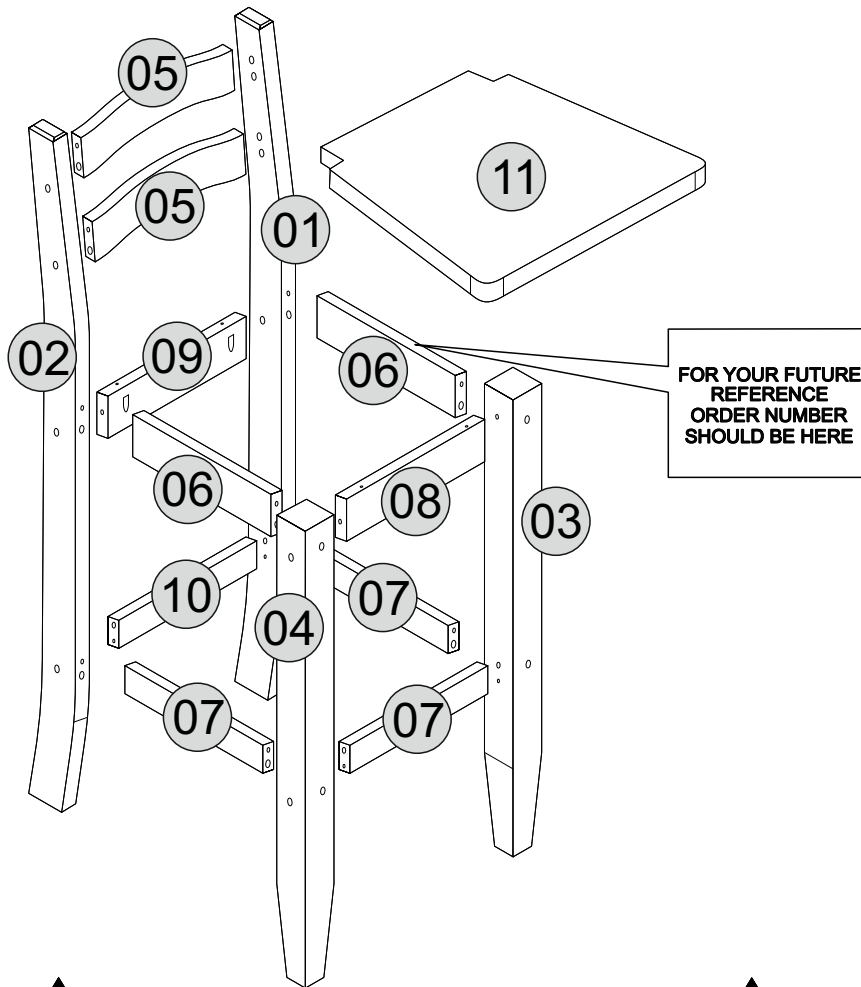
FOR DOMESTIC USE ONLY

PLEASE READ BEFORE YOU CONTINUE FURTHER

CARE AND MAINTENANCE

After unpacking this product please keep the original packaging in case it needs to be returned for any reason.

- Please ensure all fittings and parts are present before commencing with assembly.
- We recommend that you lay a blanket or sheet on the floor to avoid damage to both your floor and the product.
- We strongly recommend that you keep children away from your work area.
- Assemble this product as close to its final position as possible.
- Never drag or push products as this could cause damage to the joints making it inferior.
- Do not place this product next to a radiator or in direct sunlight.
- Wood is a natural product and may expand if subjected to damp and may shrink or crack if subjected to heat. Therefore it is recommended that room temperature is maintained, with no sudden temperature fluctuations.
- Make sure any spillage is wiped off immediately.
- Do not place hot or chilled items directly on to the surface, use a place mat or marking will occur.
- For general cleaning use a duster, and do not use detergents of any kind. However, the surface will need to be retreated from time to time. This can be done by using block wax (unperfumed) and rubbing it over the whole item.
- From time to time it may be necessary to tighten fittings, regular inspections should be carried out.



FOR YOUR FUTURE
REFERENCE
ORDER NUMBER
SHOULD BE HERE

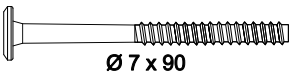
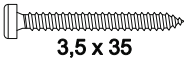
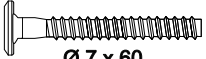



* Use of power tools to assemble this product will invalidate any claim and damage this product making it unsafe !!!
* Please assemble on a clean soft surface to avoid damage.

* Please check contents and read the instructions before commencing assembly.
* Assemble this product following the enclosed instructions carefully.
* Please take care to avoid damaging panels during assembly.

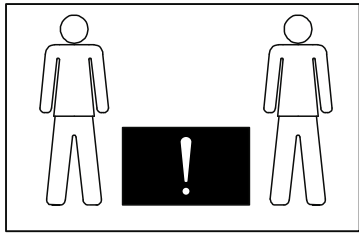
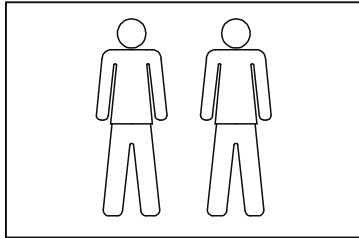
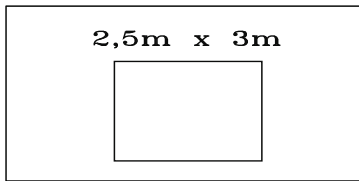
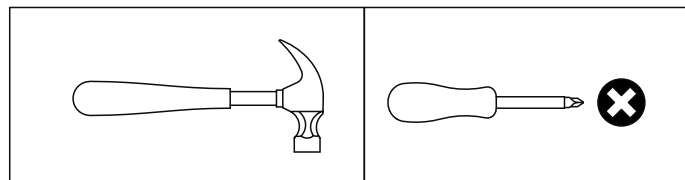
PARTS LIST

Part Number	Part Code	Part Description	Quantity	Carton
01	S400-404-007-KK1-01	Back Right Upright	1	1/1
02	S400-404-007-KK1-02	Back Left Upright	1	1/1
03	S400-404-007-KK1-03	Front Right Leg	1	1/1
04	S400-404-007-KK1-04	Front Left Leg	1	1/1
05	S400-404-007-KK1-05	Back Support Rail	2	1/1
06	S400-404-007-KK1-06	Side Seat Rail(260mm)	2	1/1
07	S400-404-007-KK1-07	Stretcher(260mm)	3	1/1
08	S400-404-007-KK1-08	Front Seat Rail(260mm)	1	1/1
09	S400-404-007-KK1-09	Back Seat Rail(270mm)	1	1/1
10	S400-404-007-KK1-10	Back Stretcher(270mm)	1	1/1
11	S400-404-007-KK1-11	Seat Pad	1	1/1

FITTINGS

A	 <p>Ø 7 x 90</p>	12	D	 <p>3,5 x 35</p>	04
B	 <p>Ø 7 x 60</p>	08	E	 <p>GLUE</p>	01
C	 <p>8,0 x 30</p>	16	F		01

TOOLS REQUIRED

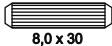



STEP 1

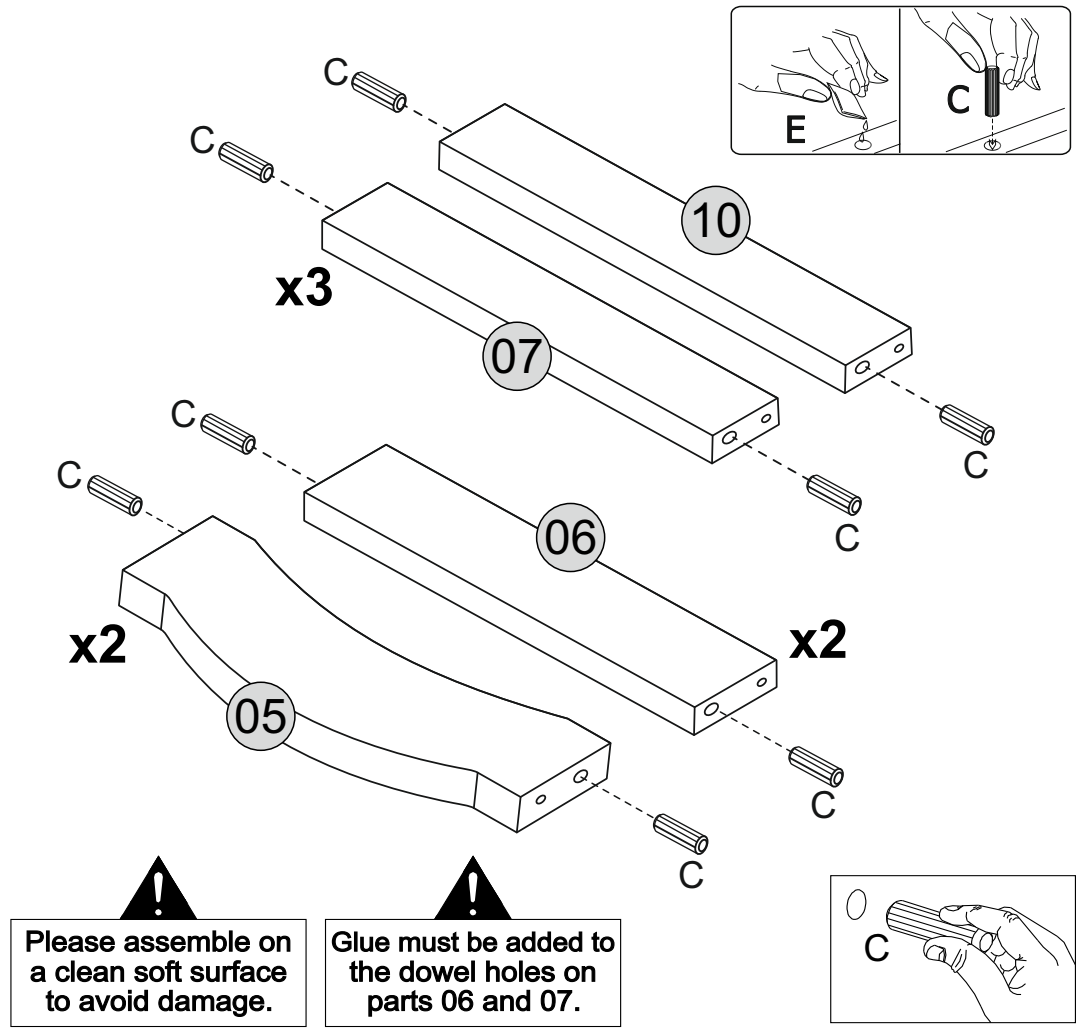
PARTS REQUIRED

- 05 - BACK SUPPORT RAIL x2
- 06 - SIDE SEAT RAIL(260MM) x2
- 07 - STRETCHER(260MM) x3
- 10 - BACK STRETCHER(270MM)x1

HARDWARE REQUIRED

- C  8,0 x 30 16
- E  GLUE 01

TOOLS REQUIRED

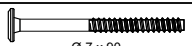


STEP 2

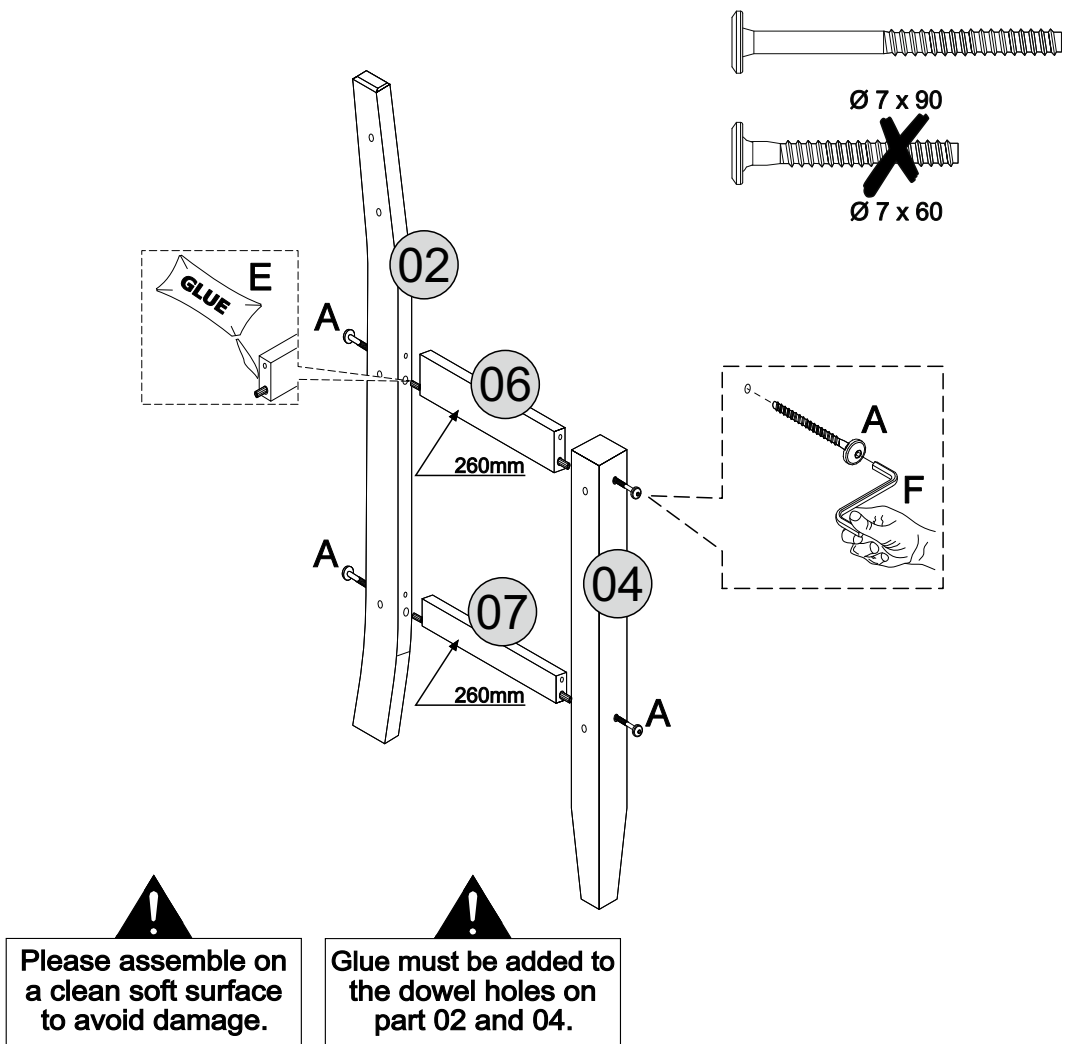
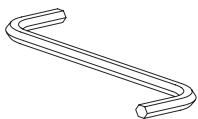
PARTS REQUIRED

- 02 - BACK LEFT UPRIGHT x1
- 04 - FRONT LEFT LEG x1
- 06 - SIDE SEAT RAIL(260MM) x1
- 07 - STRETCHER(260MM) x1

HARDWARE REQUIRED

- A  Ø 7 x 90 04

TOOLS REQUIRED



STEP 3

PARTS REQUIRED

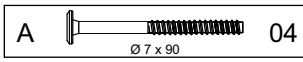
01 - BACK RIGHT UPRIGHT x1

03 - FRONT RIGHT LEG x1

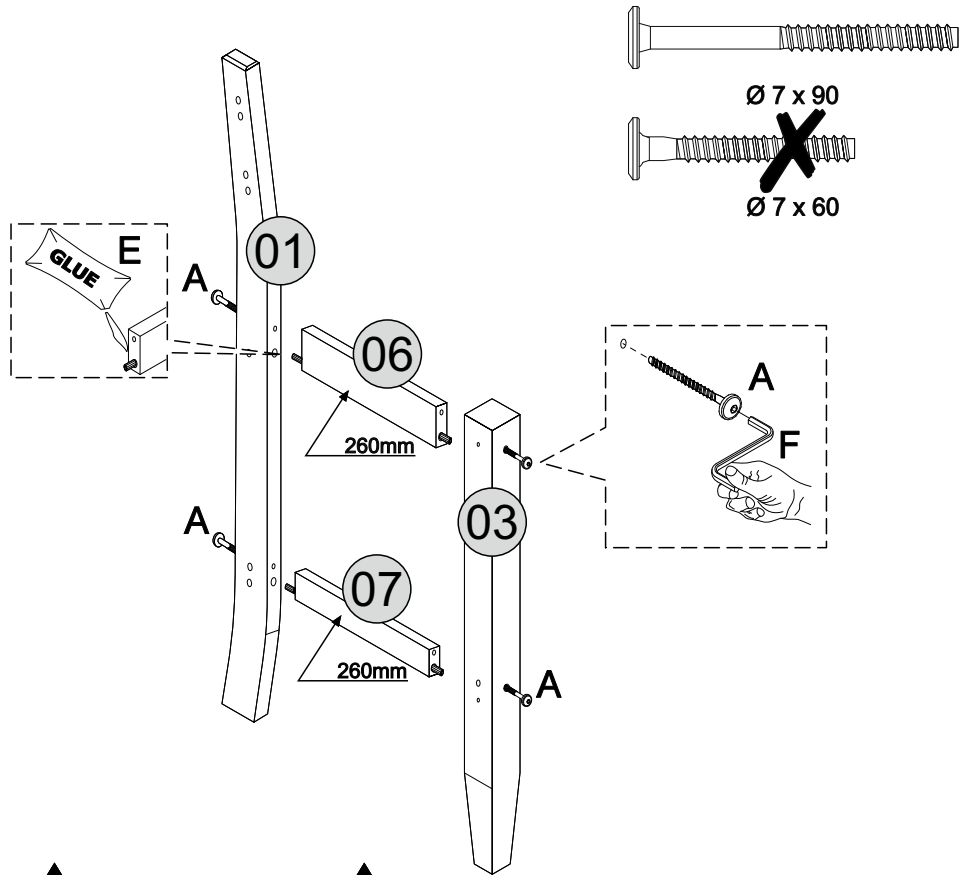
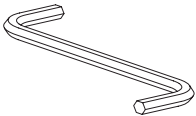
06 - SIDE SEAT RAIL(260MM) x1

07 - STRETCHER(260MM) x1

HARDWARE REQUIRED



TOOLS REQUIRED



!
Please assemble on a clean soft surface to avoid damage.

!
Glue must be added to the dowel holes on part 01 and 03.

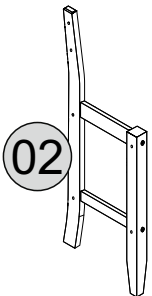
STEP 4

PARTS REQUIRED

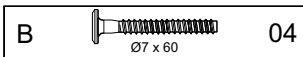
05 - BACK SUPPORT RAIL x2

09 - BACK SEAT RAIL(270MM) x1

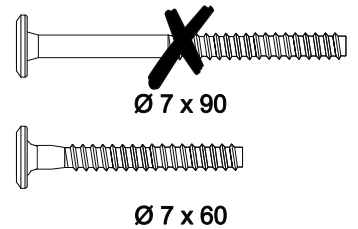
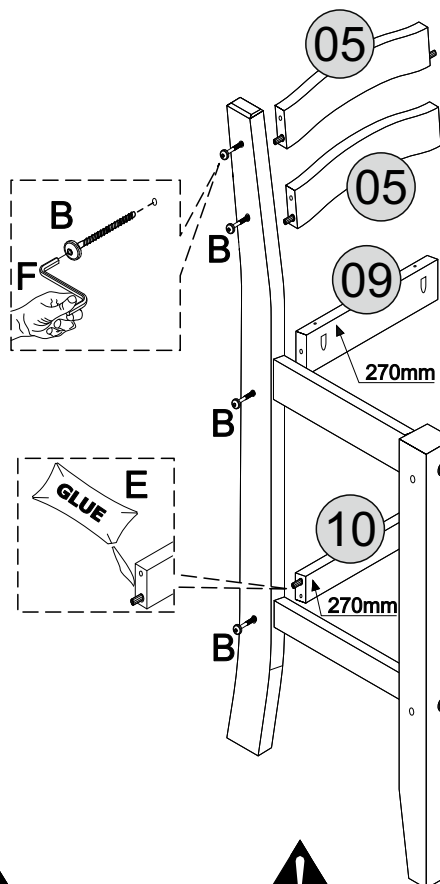
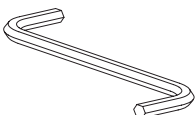
10 - BACK STRETCHER(270MM) x1



HARDWARE REQUIRED



TOOLS REQUIRED



!
Please assemble on a clean soft surface to avoid damage.

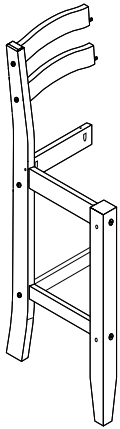
!
Glue must be added to the dowel holes on part 02.

STEP 5

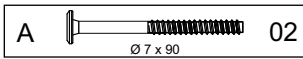
PARTS REQUIRED

07 - STRETCHER(260MM) x1

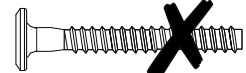
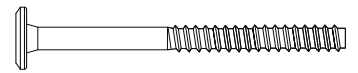
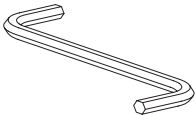
08 - FRONT SEAT RAIL(260MM) x1



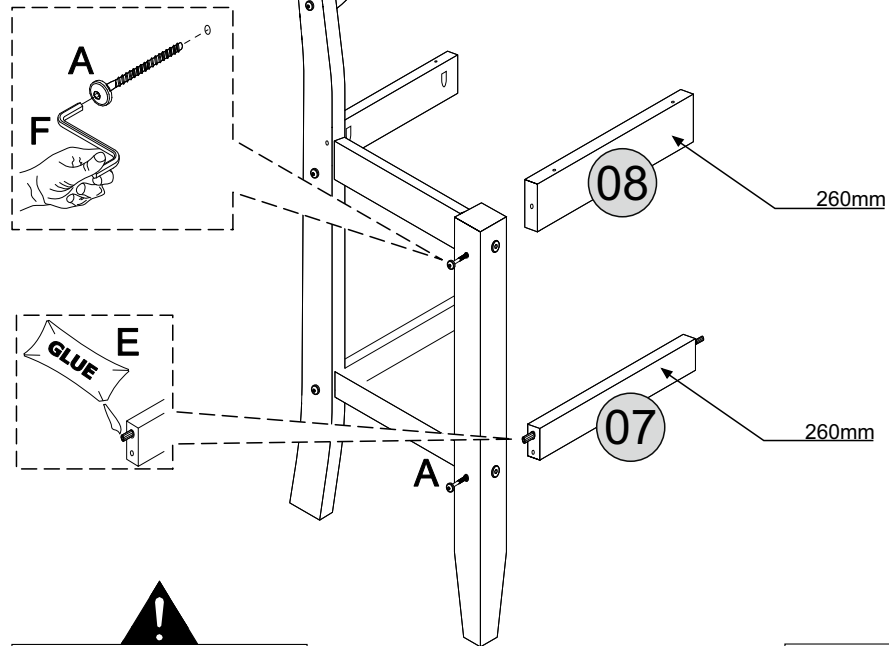
HARDWARE REQUIRED



TOOLS REQUIRED



Ø 7 x 60

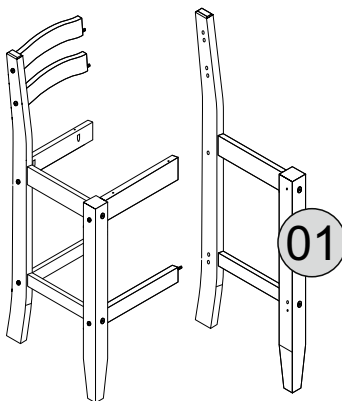


Please assemble on a clean soft surface to avoid damage.

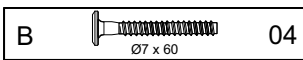
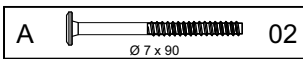
Glue must be added to the dowel holes on part 02.

STEP 6

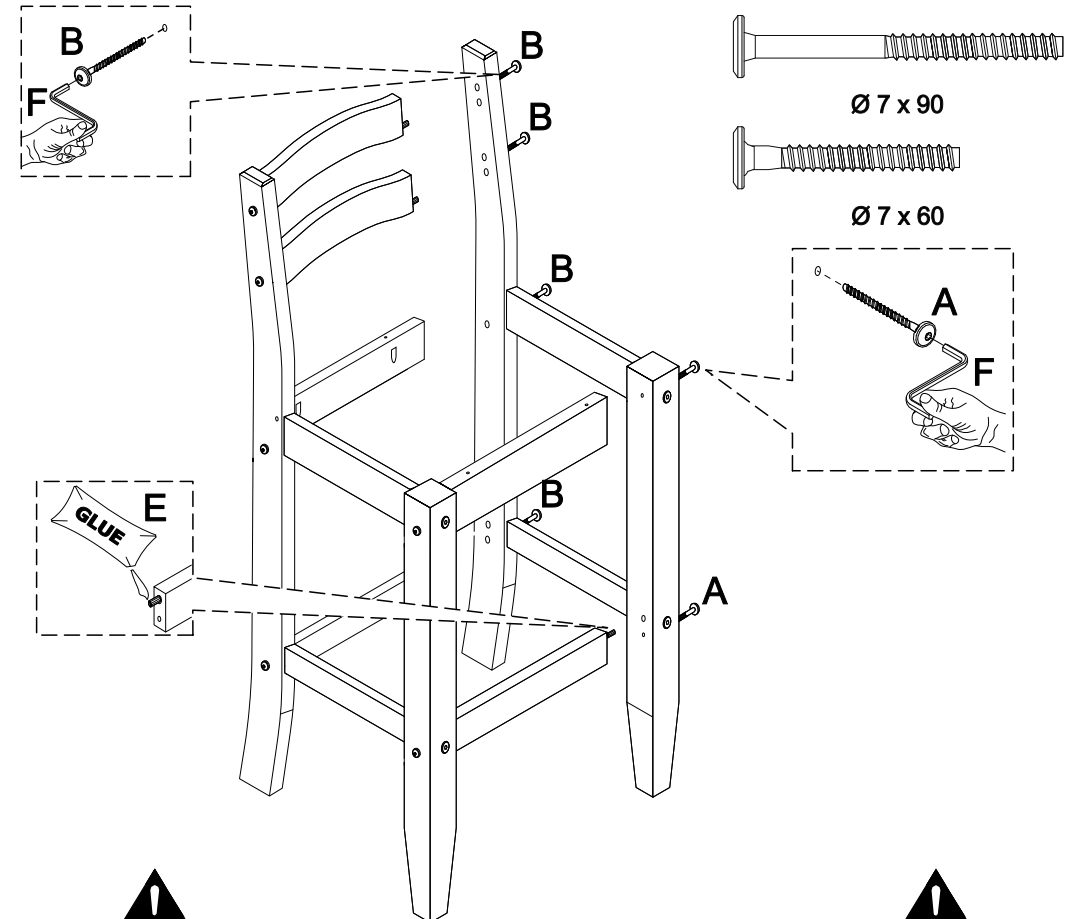
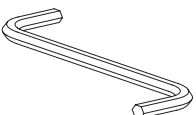
PARTS REQUIRED



HARDWARE REQUIRED



TOOLS REQUIRED



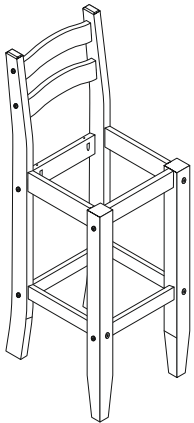
Please assemble on a clean soft surface to avoid damage.

Glue must be added to the dowel holes on part 01.

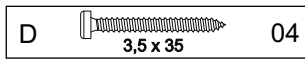
STEP 7

PARTS REQUIRED

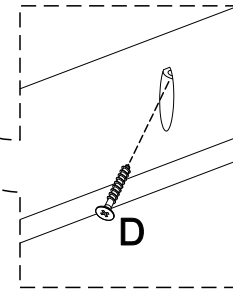
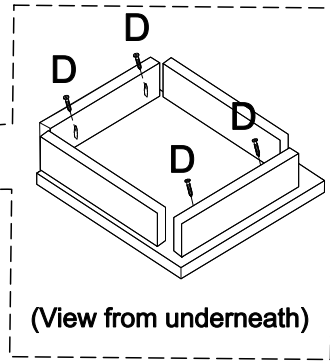
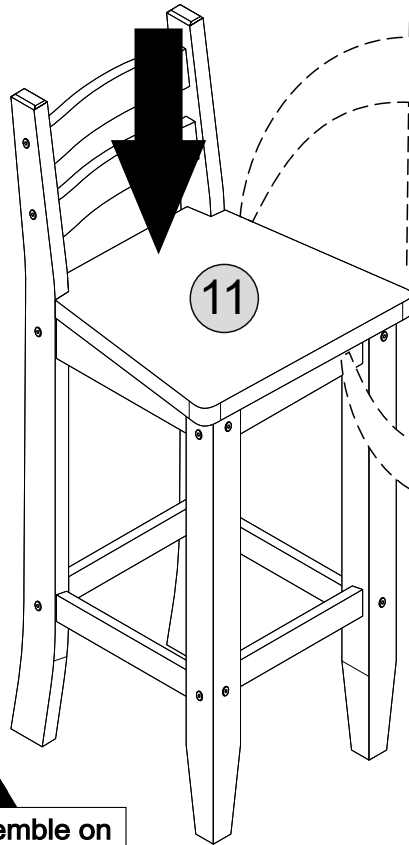
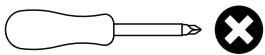
11 - SEAT PAD x1



HARDWARE REQUIRED



TOOLS REQUIRED



!
Please assemble on a clean soft surface to avoid damage.

STEP 8

PARTS REQUIRED

HARDWARE REQUIRED

TOOLS REQUIRED

