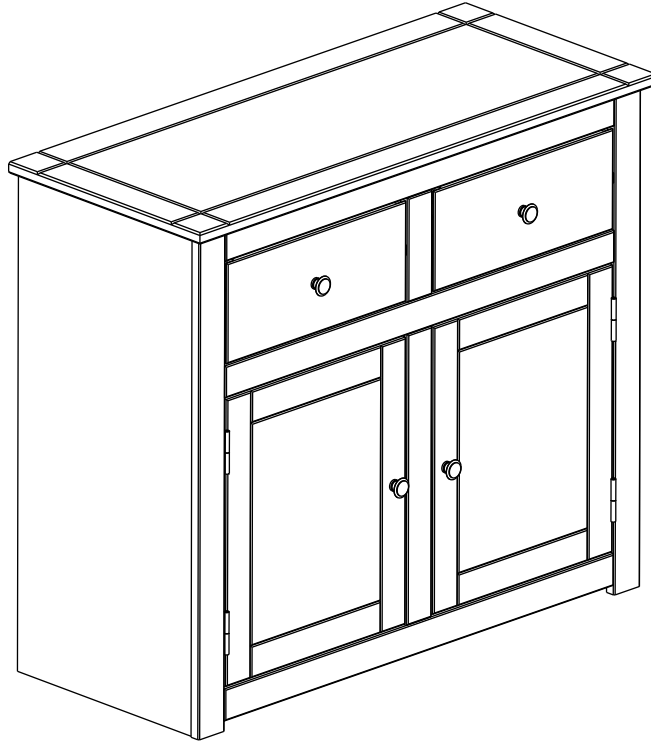


Panama 2 Door 2 Drawer Sideboard

ASSEMBLY INSTRUCTIONS



IMPORTANT

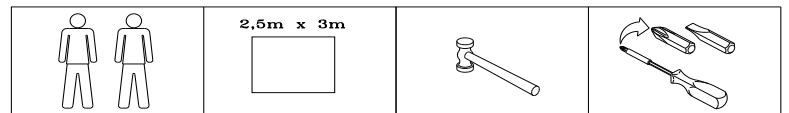
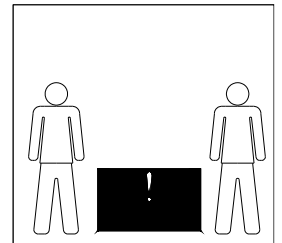
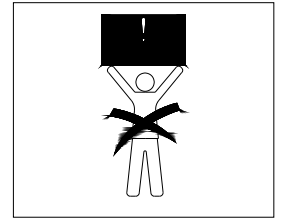
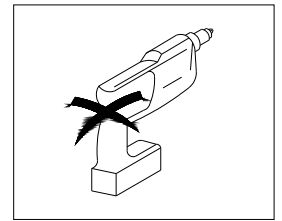
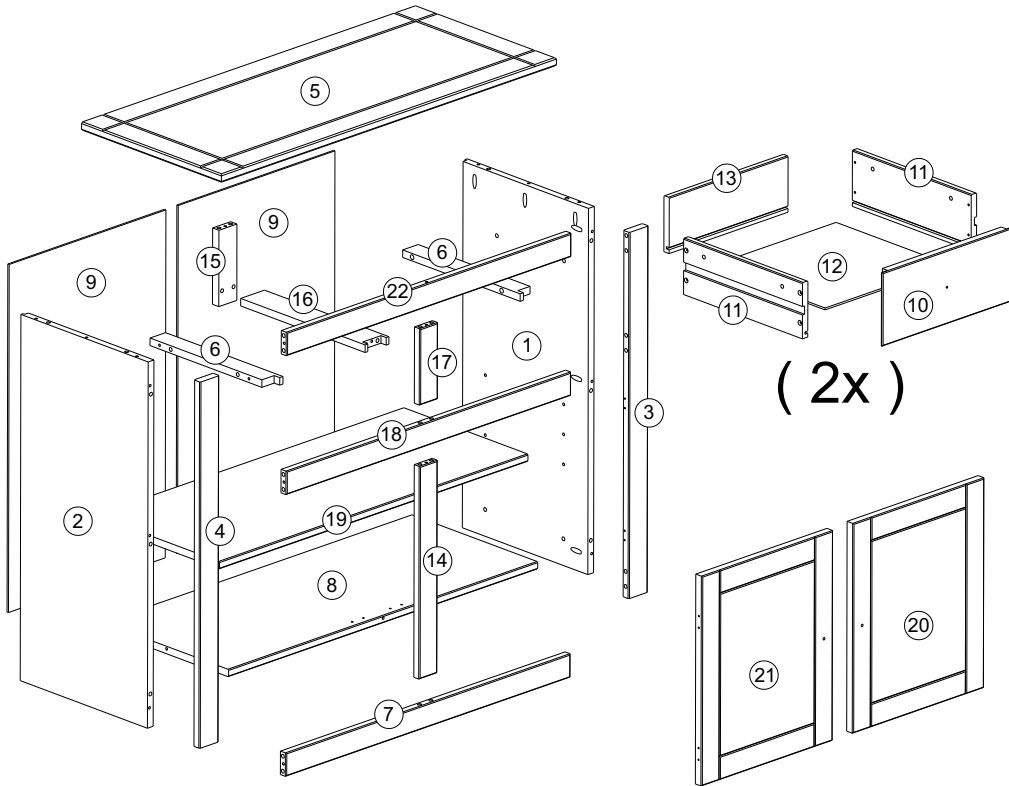
PLEASE READ BEFORE YOU CONTINUE FURTHER

FOR DOMESTIC USE ONLY

CARE AND MAINTENANCE

After unpacking this product please keep the original packaging in case it needs to be returned for any reason.

- Please ensure all fittings and parts are present before commencing with assembly.
- We recommend that you lay a blanket or sheet on the floor to avoid damage to both your floor and the product.
- We strongly recommend that you keep children away from your work area.
- Assemble this product as close to its final position as possible.
- Never drag or push products as this could cause damage to the joints making it inferior.
- Do not place this product next to a radiator or in direct sunlight.
- Wood is a natural product and may expand if subjected to damp and may shrink or crack if subjected to heat. Therefore it is recommended that room temperature is maintained, with no sudden temperature fluctuations.
- Make sure any spillage is wiped off immediately.
- Do not place hot or chilled items directly on to the surface, use a place mat or marking will occur.
- For general cleaning use a duster, and do not use detergents of any kind. However, the surface will need to be retreated from time to time. This can be done by using block wax (unperfumed) and rubbing it over the whole item.
- From time to time it may be necessary to tighten fittings, regular inspections should be carried out.




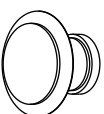
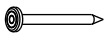
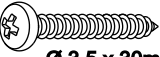



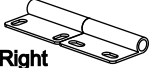
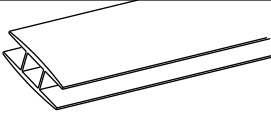

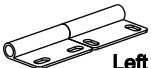

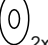


***Use of power tools to assemble this product will invalidate any claim and could damage this product making it unsafe!!!**
***Please assemble on a clean soft surface to avoid damage.**

***Please check contents and read the instructions before commencing assembly.**
***Assemble this product following the enclosed instructions carefully.**
***Please take care to avoid damaging parts during assembly.**


PARTS LIST

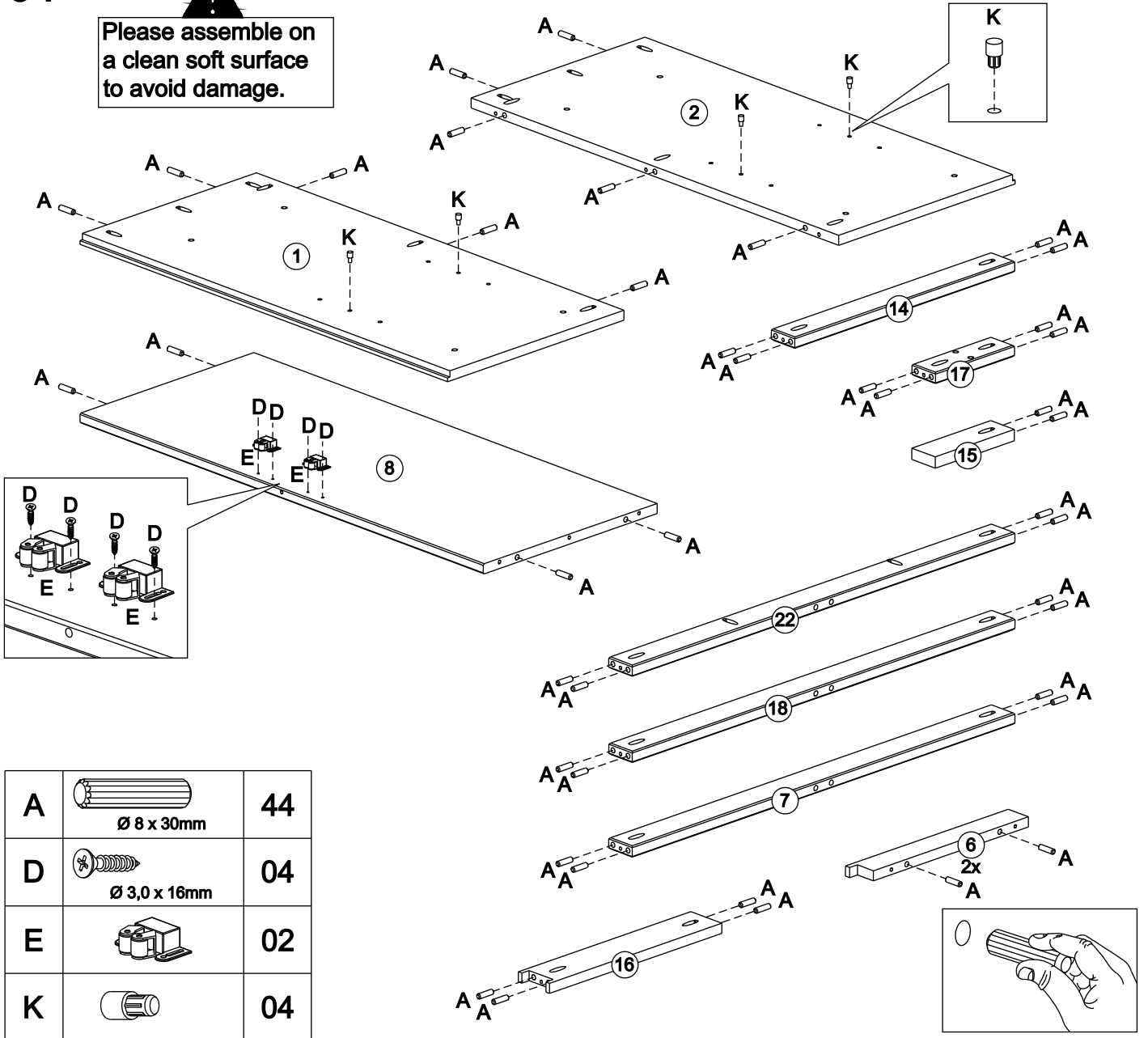
1	Right side panel	01	9	Back panel	02	17	Centre front upright	01
2	Left side panel	01	10	Drawer front	02	18	Centre front crossbeam	01
3	Right front upright	01	11	Drawer side	04	19	Adjustable shelf	01
4	Left front upright	01	12	Drawer bottom	02	20	Right door	01
5	Top panel	01	13	Drawer back	02	21	Left door	01
6	Drawer runner	02	14	Centre front Upright	01	22	Top front crossbeam	01
7	Bottom front crossbeam	01	15	Back upright	01			
8	Base	01	16	Centre drawer runner	01			

FITTINGS


A	 Ø 8 x 30mm	48	F		04	J	 10x10mm	26
B	 Ø 3,5 x 30mm	38	G	 M4 x 25mm	04	K		04
C	 Ø 3,0 x 30mm	16	H	 Right	02	L		01
D	 Ø 3,0 x 16mm	24	I	 Left	02	M	 1x  2x  1x	01
E		02						

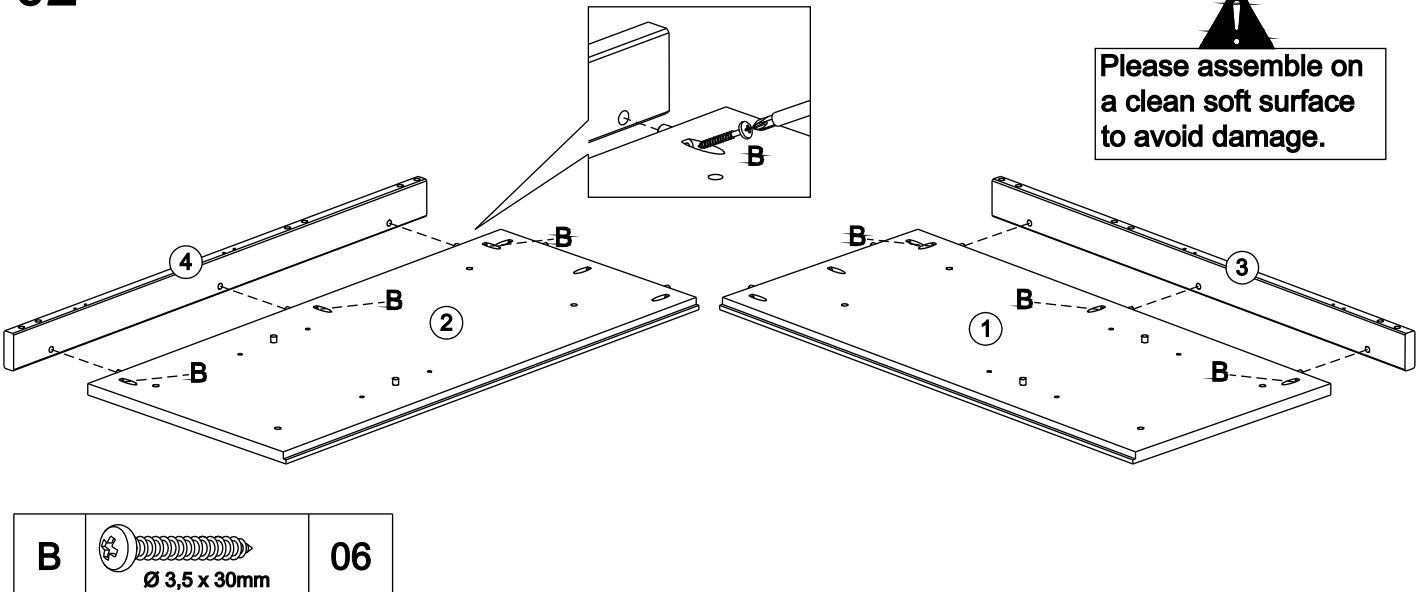
01

 Please assemble on a clean soft surface to avoid damage.

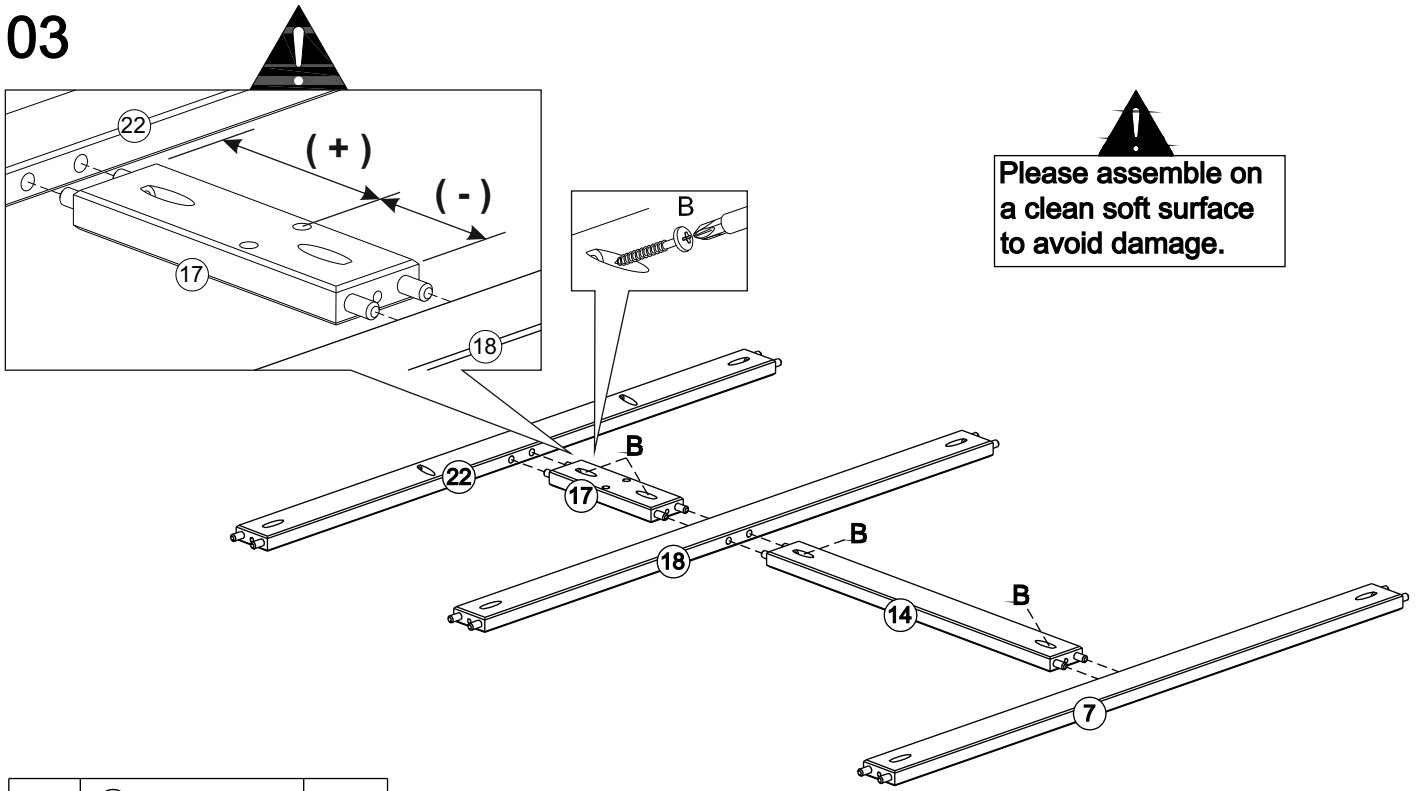


02

 Please assemble on a clean soft surface to avoid damage.

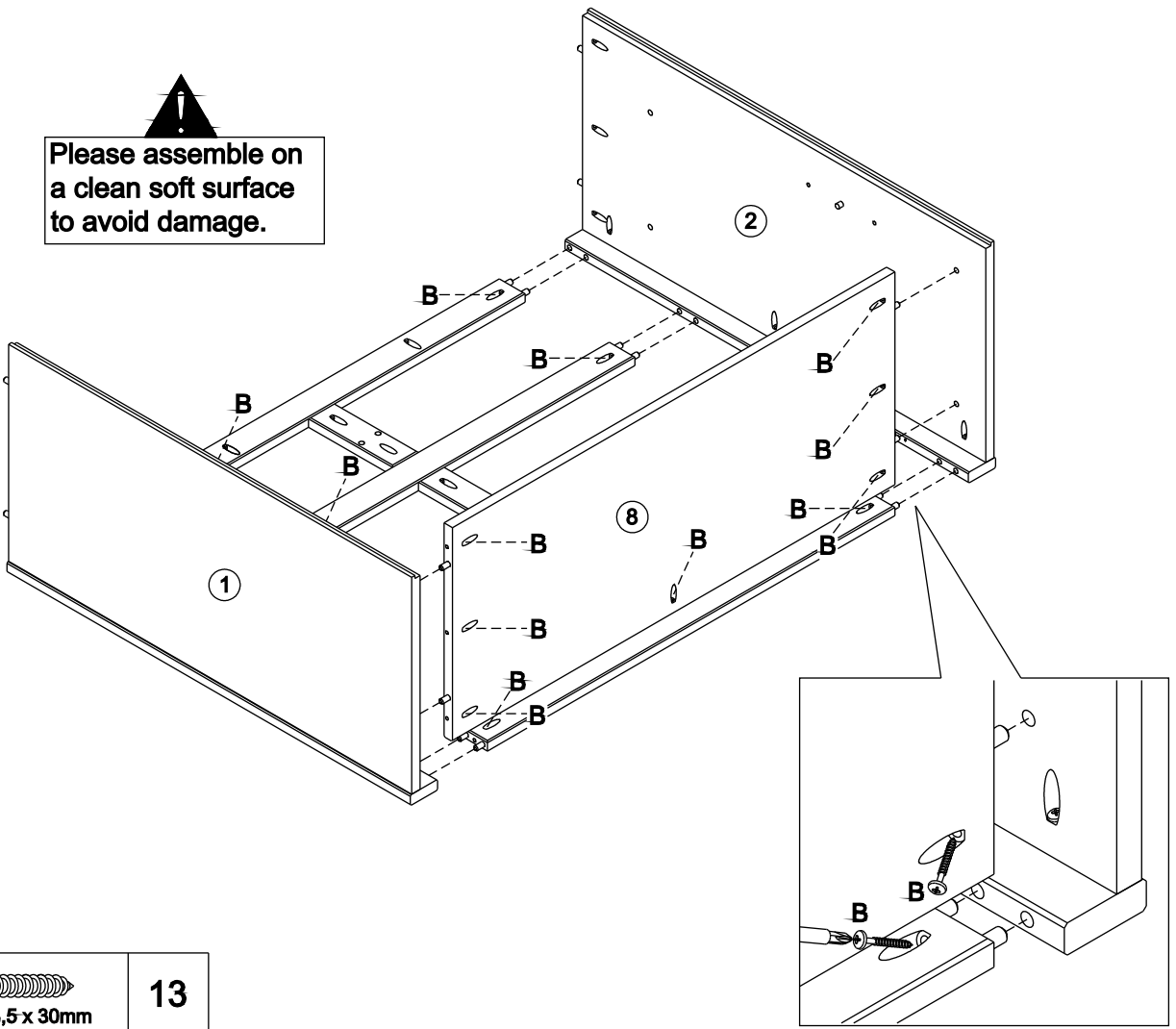



03



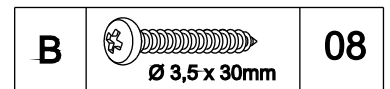
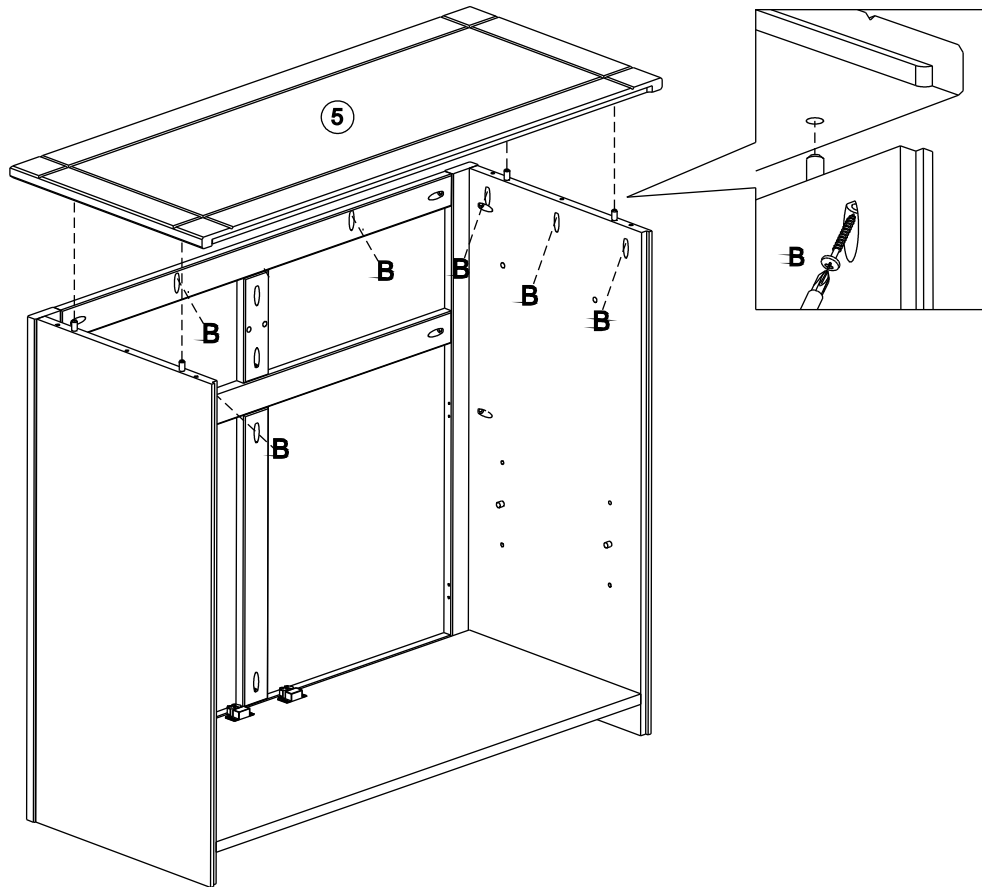
B	 Ø 3,5 x 30mm	04
---	---	----

04

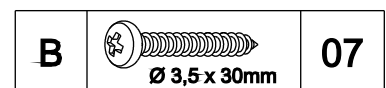
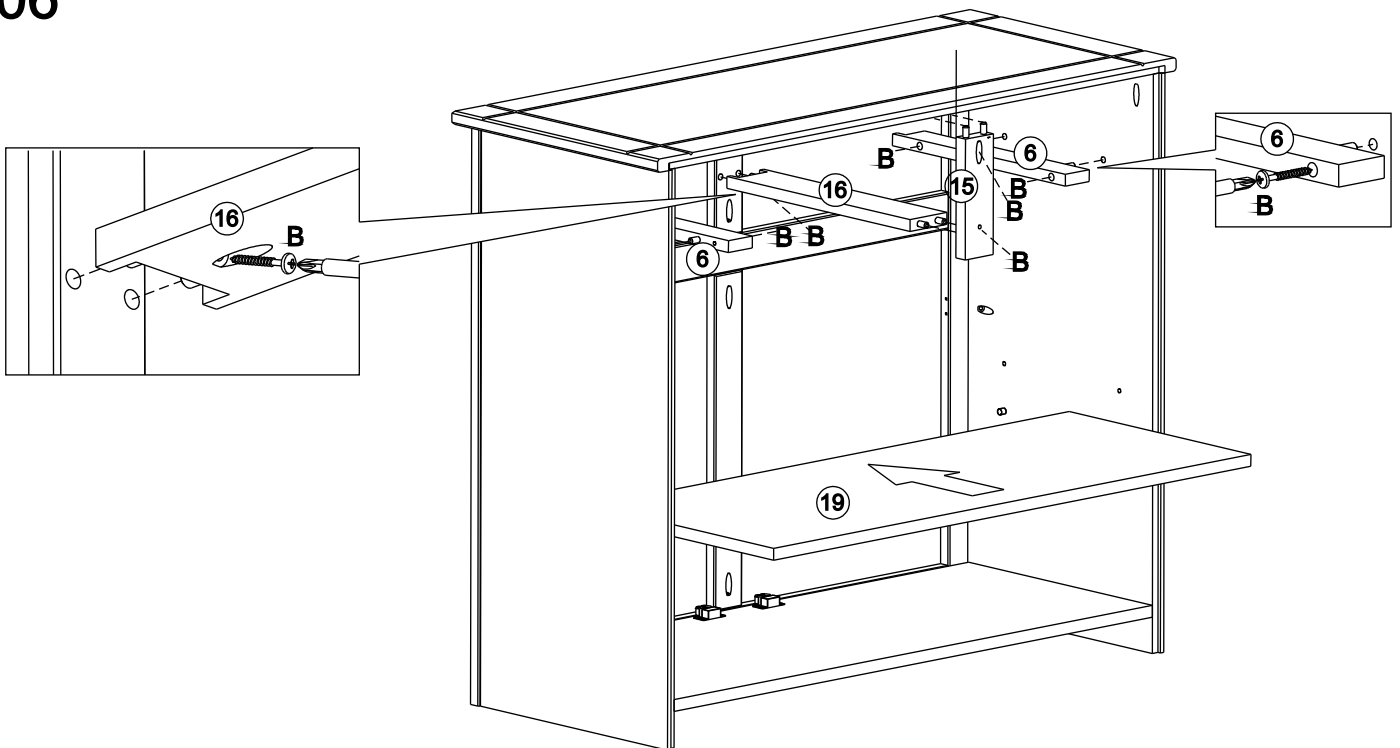


B	 Ø 3,5 x 30mm	13
---	---	----

05

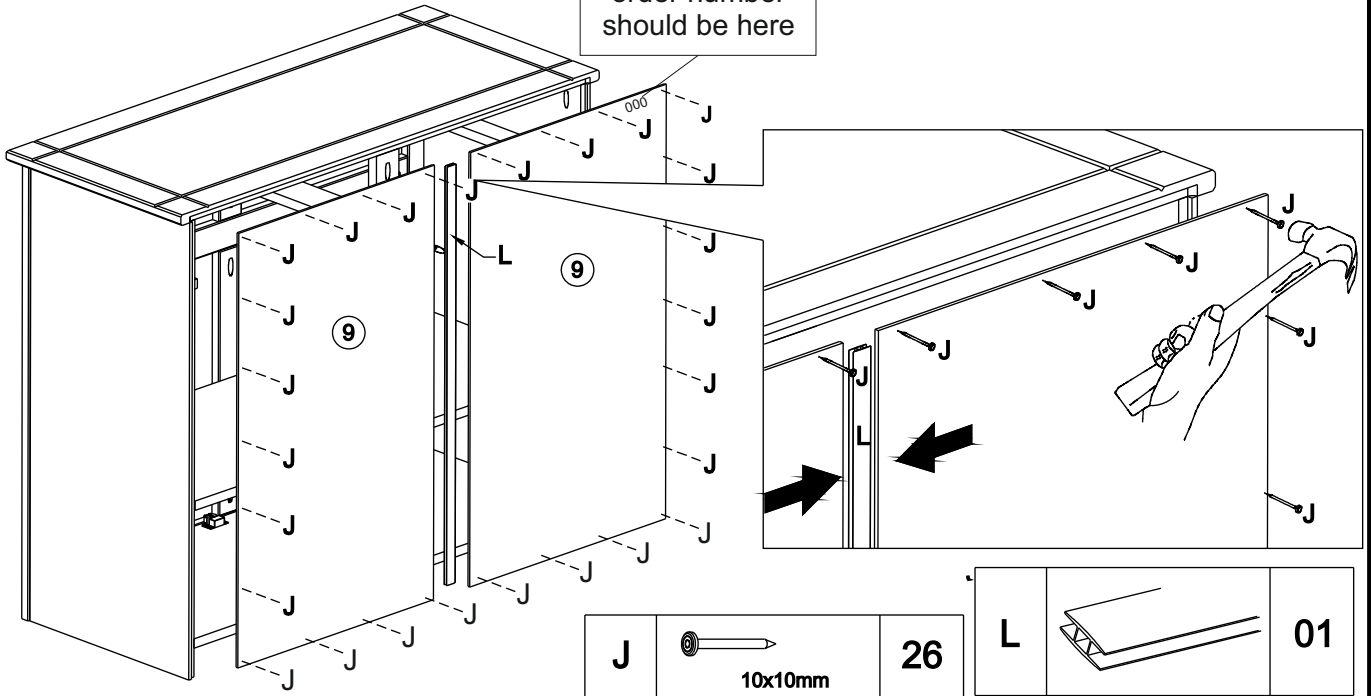


06



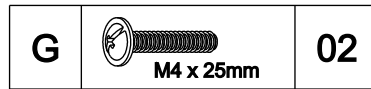
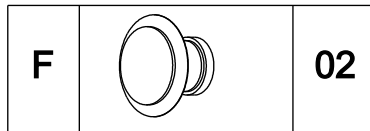
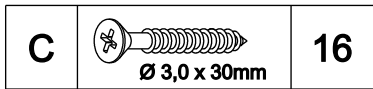
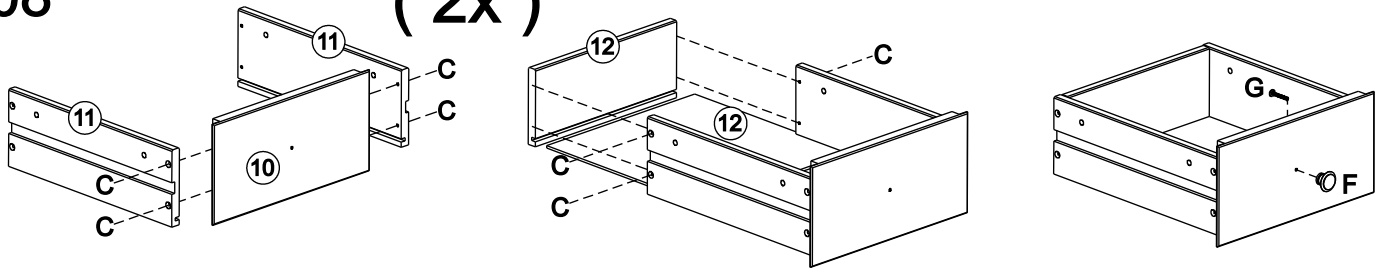
07

For your future reference order number should be here

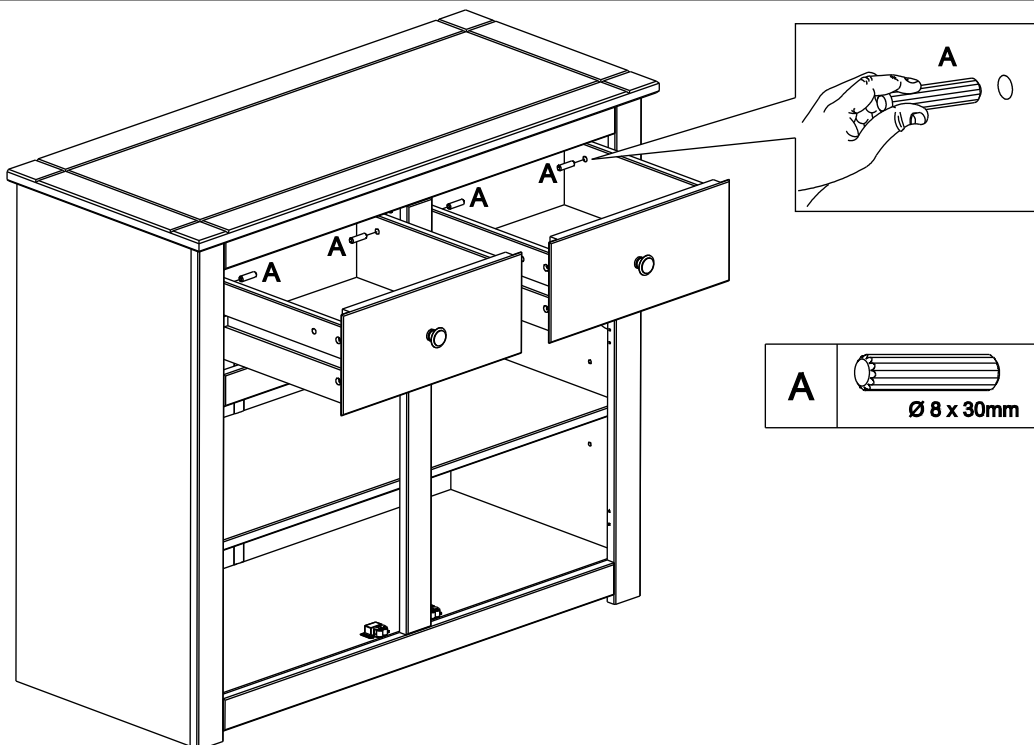


08

(2x)

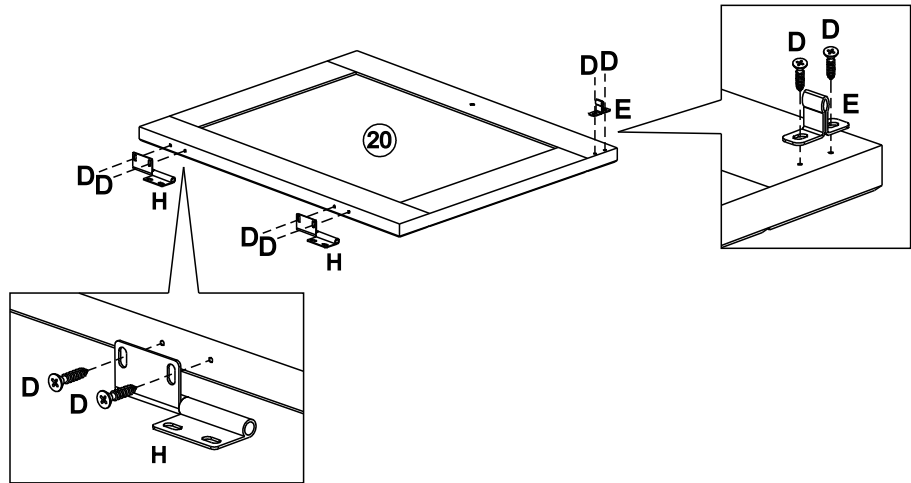





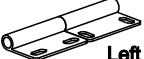
09

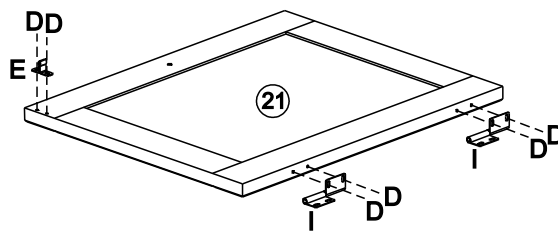


10




Please assemble on a clean soft surface to avoid damage.

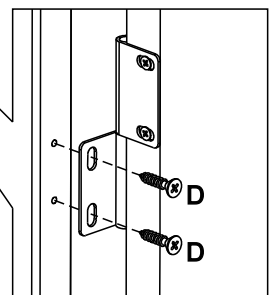
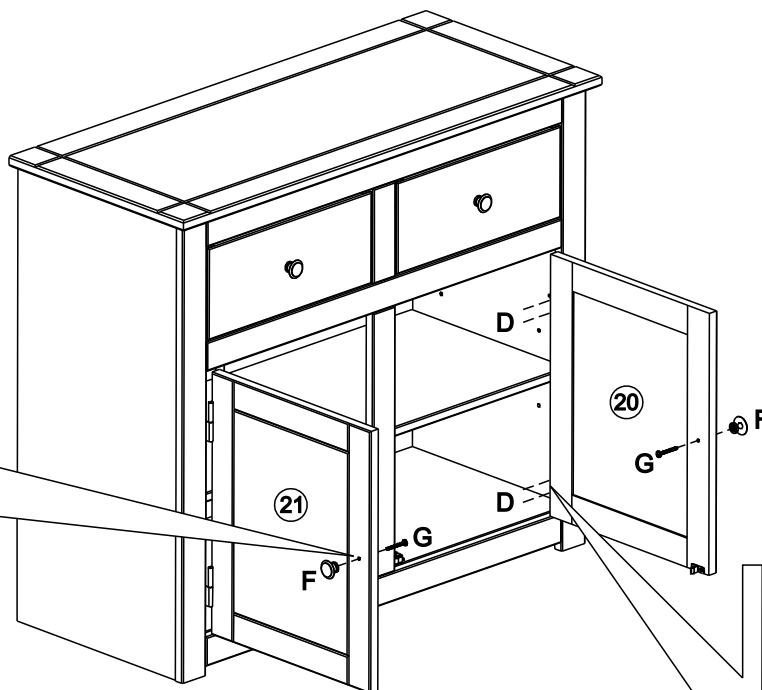
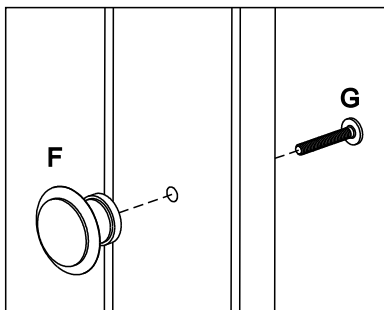


D	 Ø 3,0 x 16mm	12
E		02
H	 Right	02
I	 Left	02



11

D	 Ø 3,0 x 16mm	08
F		02
G	 M4 x 25mm	02

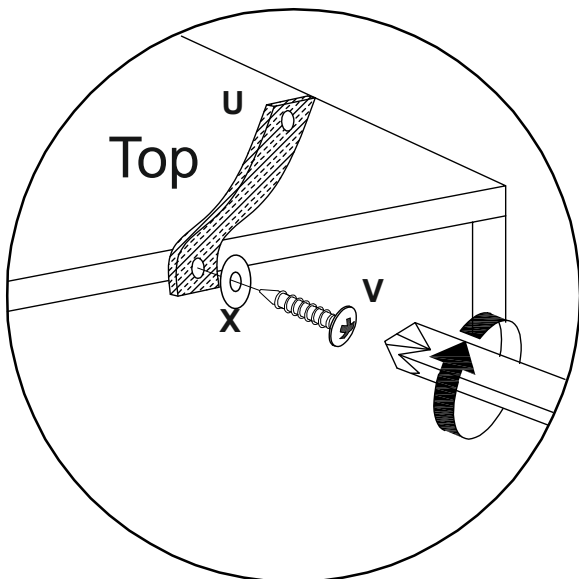


WARNING

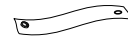
Serious or fatal injuries can occur from furniture tipping over. To prevent the furniture from tipping over we recommend that it is permanently fixed to the wall.

Wall fixings are not supplied with this product as different wall materials require different types of fixing devices.

Please make sure you use fixings suitable for the walls in your home.



M - HARDWARE LIST



U-Strap (Anti-Tip Kit)
(1x)



V- Wood Screw (Anti-Tip Kit)
3,5 x 25mm (1x)



X-Washer (Anti-Tip Kit)
(2x)

