

OTTAWA 1 DOOR 3 DRAWER SIDEBOARD ASSEMBLY INSTRUCTIONS



**FOR DOMESTIC USE ONLY
IMPORTANT**

PLEASE READ BEFORE YOU CONTINUE FURTHER

THE PRODUCT YOU HAVE PURCHASED WILL GIVE YOU MANY YEARS OF SERVICE IF YOU FOLLOW THE GUIDELINES FOR ITS SAFE ASSEMBLY AND PERIODIC MAINTENANCE AND CLEANING.

ASSEMBLE ON A SOFT CLEAN SURFACE.

DO NOT USE ANY TOOLS OTHER THAN THOSE SHOWN.

ANY SPANNERS OR ALLEN KEYS REQUIRED ARE INCLUDED WITH THE FITTINGS KIT.

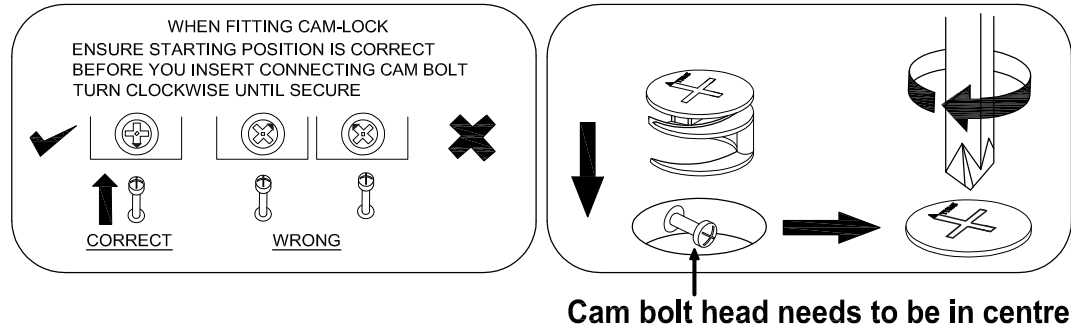
DO NOT FOR ANY REASON USE A POWER TOOL TO ASSEMBLE THIS PRODUCT. ITS USE WILL INVALIDATE ANY CLAIM YOU MAY HAVE AND COULD MAKE THIS PRODUCT UNSAFE.

**DEPENDING ON THE AMOUNT OF USE THIS PRODUCT RECEIVES IT MAY BE NECESSARY TO TIGHTEN UP THE FIXINGS FROM TIME TO TIME. THIS IS COMPLETELY NORMAL FOR ANY FLAT PACK FURNITURE.
DO NOT OVERTIGHTEN FIXINGS.**

FOR CLEANING, YOU MAY USE A DAMP CLOTH (NOT WET) DO NOT USE POLISH, DETERGENT OR CHEMICAL CLEANERS.

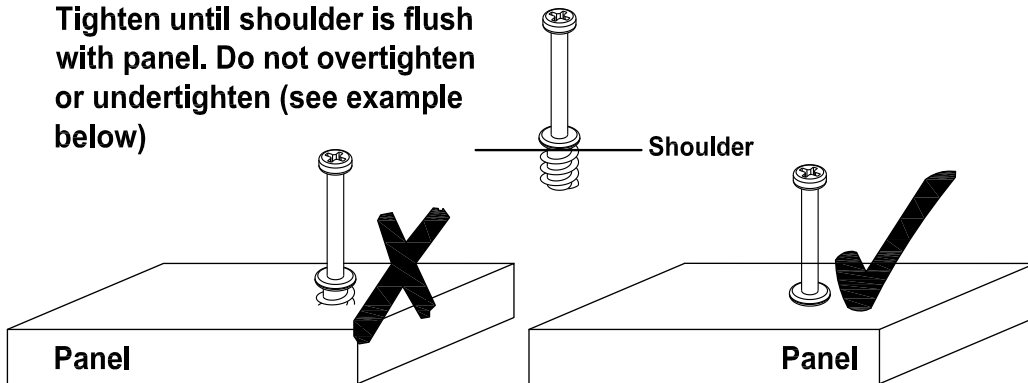
THE SURFACE OF THIS ITEM IS NOT HEAT RESISTANT. ALWAYS USE A PLACE MAT UNDER HOT OR COLD ITEMS TO PREVENT MARKING.

TIPS FOR FITTING CAM-LOCKS



CAMBOLT

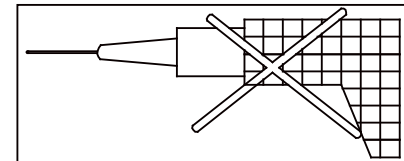
Tighten until shoulder is flush with panel. Do not overtighten or undertighten (see example below)



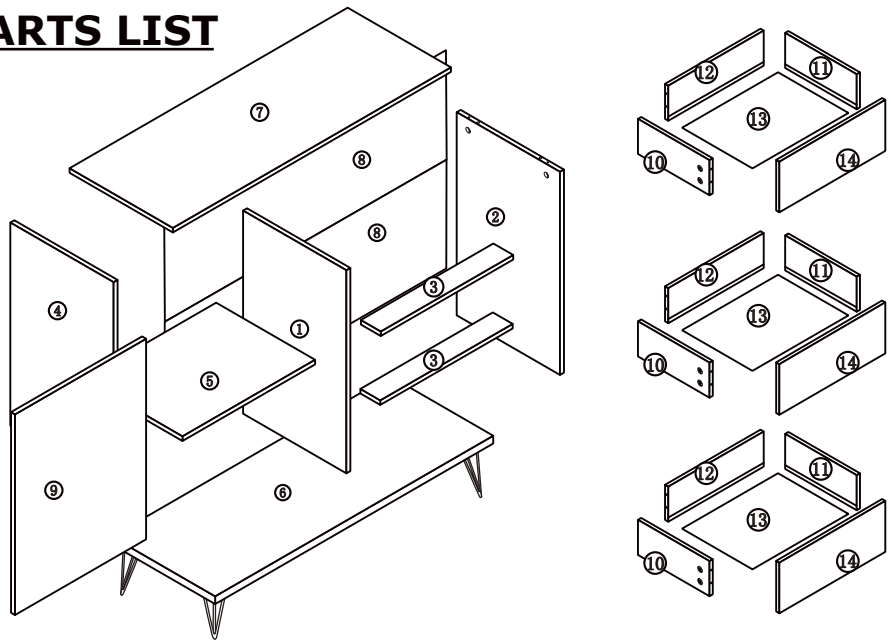
TWO PERSONS REQUIRED TO ASSEMBLE THIS PRODUCT

1. Please check that you have all the parts listed before you start assembling. If you do find that something is missing, do not continue assembly. Please contact your supplier immediately.
2. Lay out all of the components on a soft surface as if you were preparing to do a jigsaw puzzle.
3. Separate and identify each component, from the hardware pack and rest each one in its proper location before fastening.

THE USE OF POWER TOOLS TO ASSEMBLE THIS PRODUCT WILL INVALIDATE ANY CLAIM AND MAY DAMAGE THIS PRODUCT MAKING IT UNSAFE



PARTS LIST



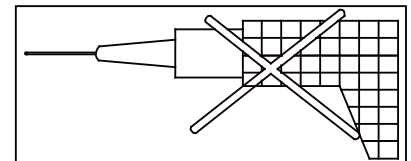
1	MIDDLE VERTICAL PANEL	1 PC	8	BACK PANEL	1 PC
2	RIGHT HAND SIDE PANEL	1 PC	9	DOOR	1 PC
3	FRONT CROSSBEAM	2 PCS	10	LEFT HAND SIDE DRAWER PANEL.	3 PCS
4	LEFT HAND SIDE PANEL	1 PC	11	RIGHT HAND SIDE DRAWER PANEL.	3 PCS
5	SHELF	1 PC	12	DRAWER BACK	3 PCS
6	BOTTOM PANEL	1 PC	13	DRAWER BOTTOM	3 PCS
7	TOP PANEL	1 PC	14	DRAWER FRONT	3 PCS

HARDWARE LIST

SEC/SH/11/19/FU1




A		7x39mm CAM BOLT	26 PCS
B		CAM LOCK	26 PCS
C		8x30mm DOWEL	20 PCS
D		5x40mm SCREW	12 PCS
E		3.5x14mm SCREW	44 PCS
F		3x16mm SCREW	22 PCS
G		METAL LEG	4 PCS
H		4x14mm SCREW	20 PCS
I		5x60mm SCREW	6 PCS
J		WALL FIXING	2 PCS
K		HINGE	2 PCS
L		HANDLE & BOLT	1 PC
M		HANDLE & BOLT	3 PCS
N		BACK PANEL STRIP	1 PC
CL		DRAWER RUNNER	3 PCS
CR		DRAWER RUNNER	3PCS
DL		DRAWER RUNNER	3 PCS
DR		DRAWER RUNNER	3 PCS

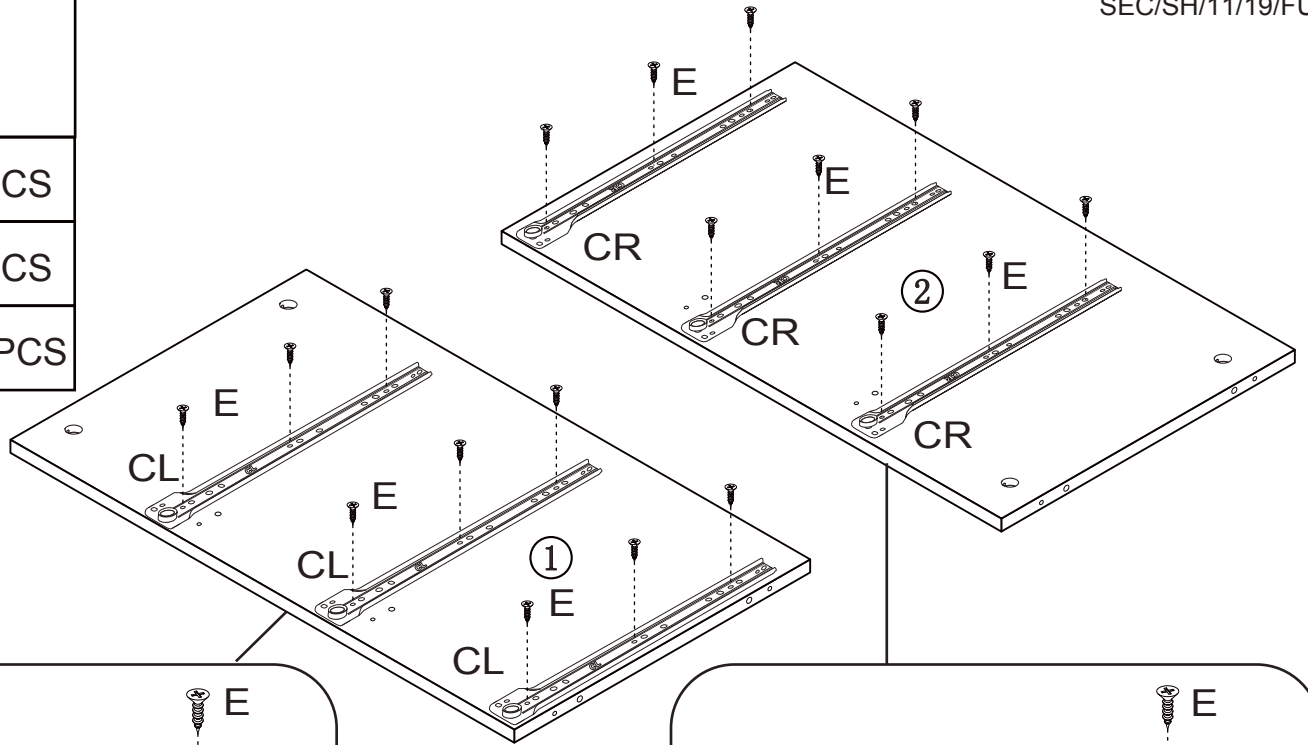
THE USE OF POWER TOOLS TO ASSEMBLE THIS PRODUCT WILL INVALIDATE ANY CLAIM AND MAY DAMAGE THIS PRODUCT MAKING IT UNSAFE



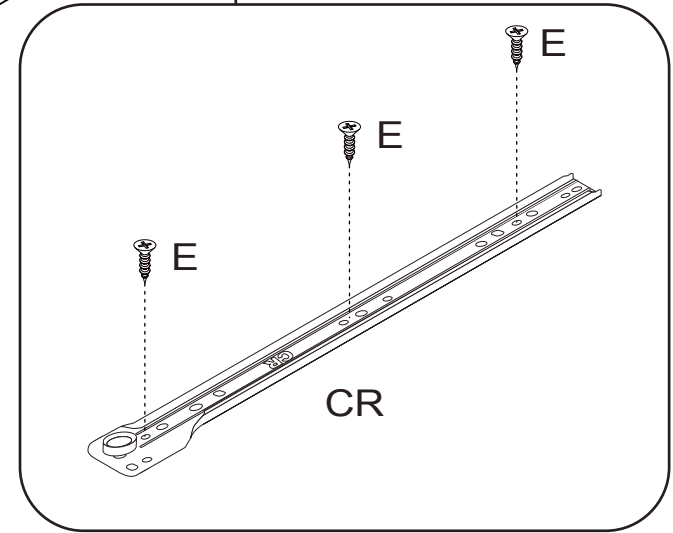
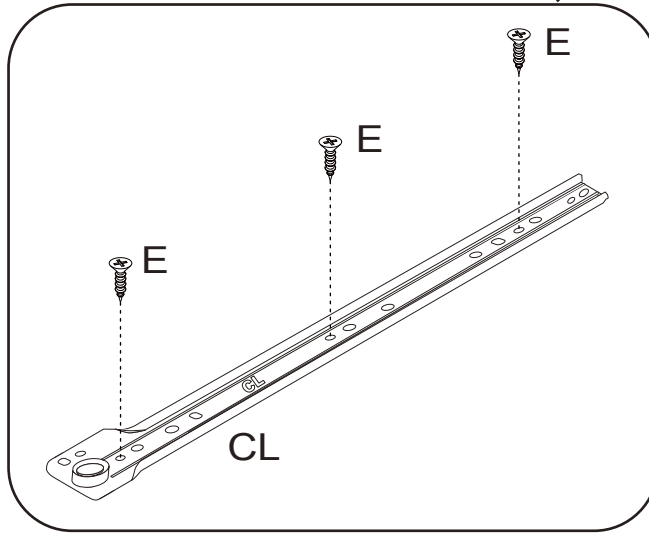
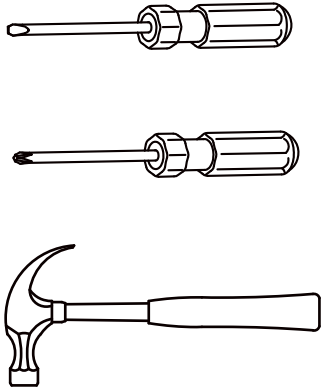
STEP 1

You will need:-

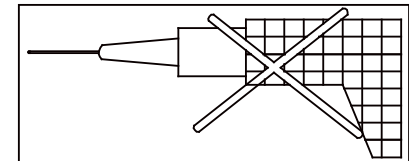
CL		3 PCS
CR		3 PCS
E		18 PCS



NOT PROVIDED




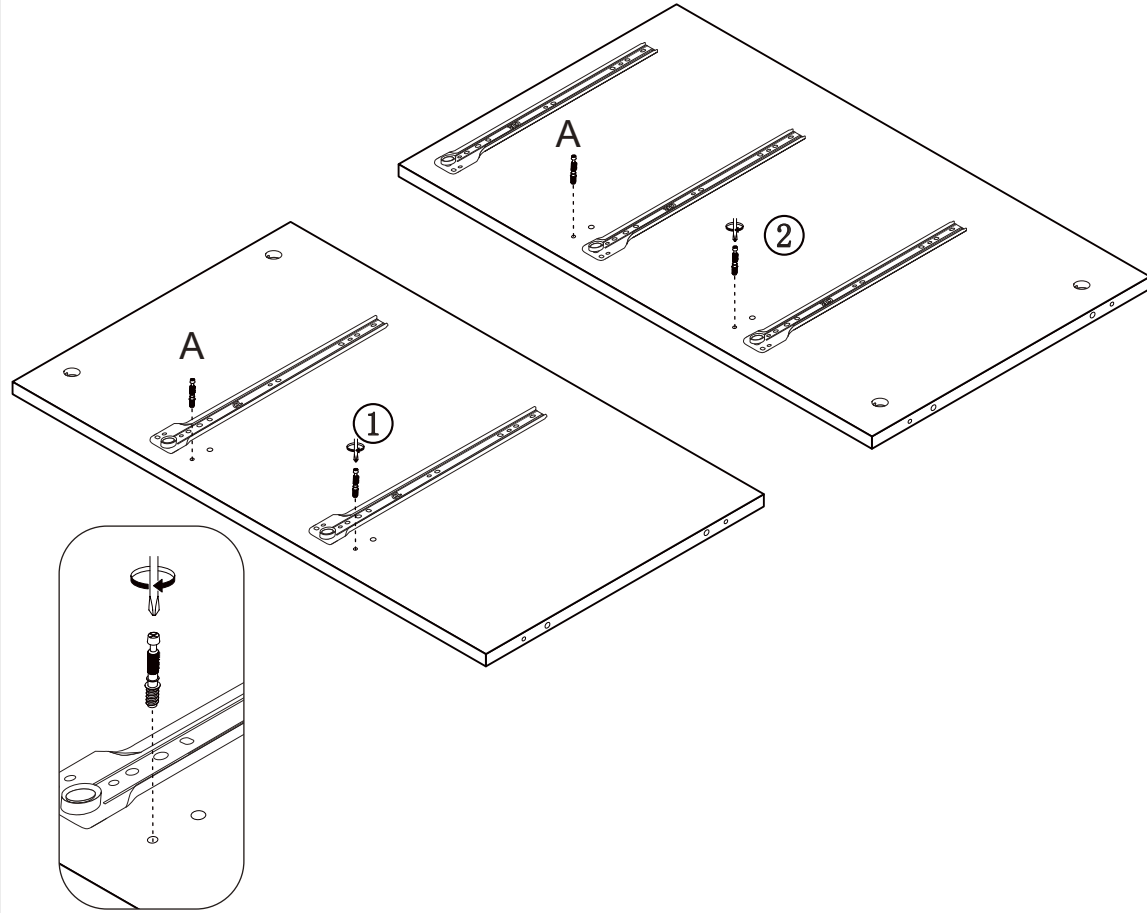
THE USE OF POWER TOOLS TO ASSEMBLE THIS PRODUCT WILL INVALIDATE ANY CLAIM AND MAY DAMAGE THIS PRODUCT MAKING IT UNSAFE



STEP 2



You will need:-

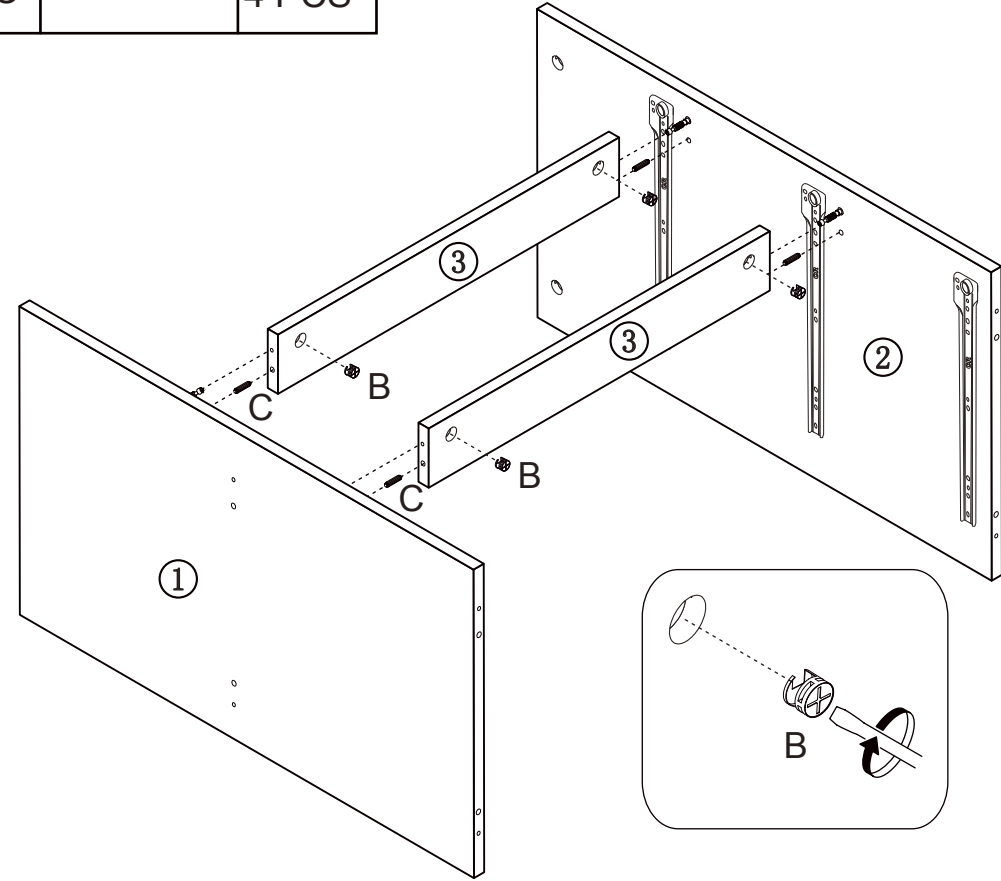
A		4 PCS
---	---	-------



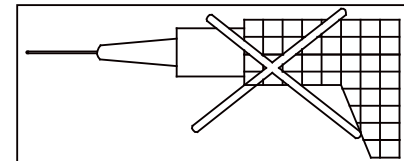
STEP 3

You will need:-

B		4 PCS
C		4 PCS



THE USE OF POWER TOOLS TO ASSEMBLE THIS PRODUCT WILL INVALIDATE ANY CLAIM AND MAY DAMAGE THIS PRODUCT MAKING IT UNSAFE



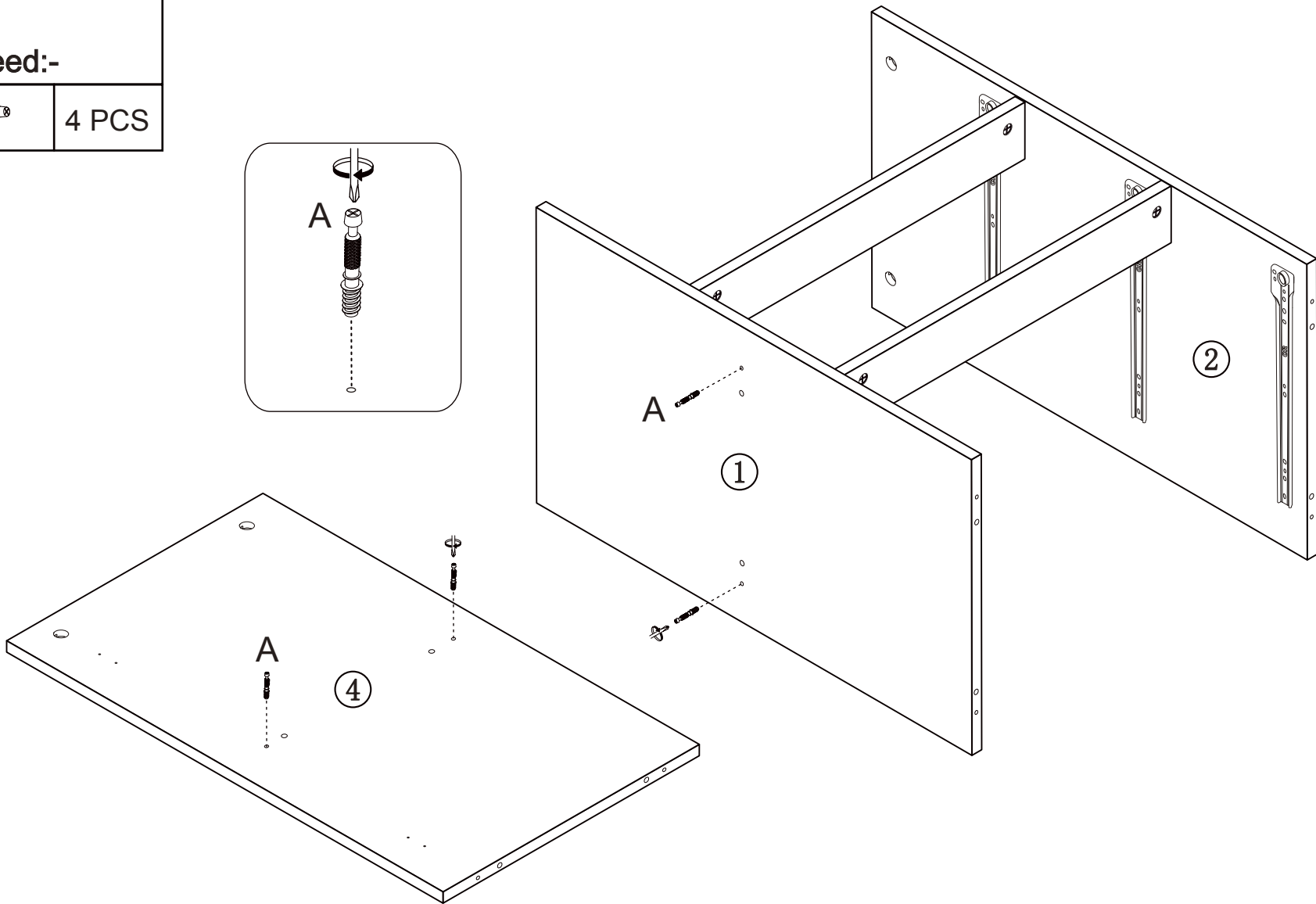
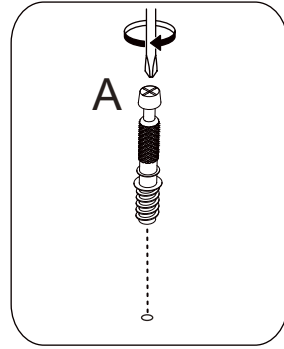
STEP 4

You will need:-

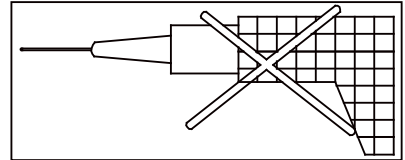
A



4 PCS





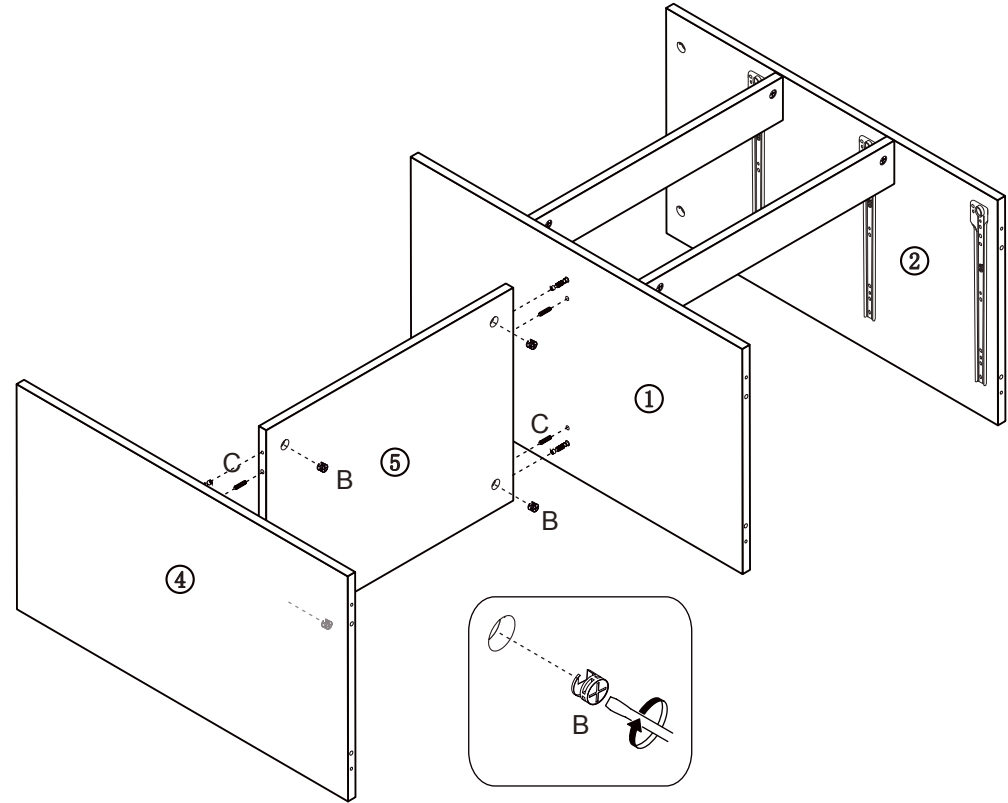
THE USE OF POWER TOOLS TO ASSEMBLE THIS PRODUCT WILL INVALIDATE ANY CLAIM AND MAY DAMAGE THIS PRODUCT MAKING IT UNSAFE



STEP 5



You will need:-

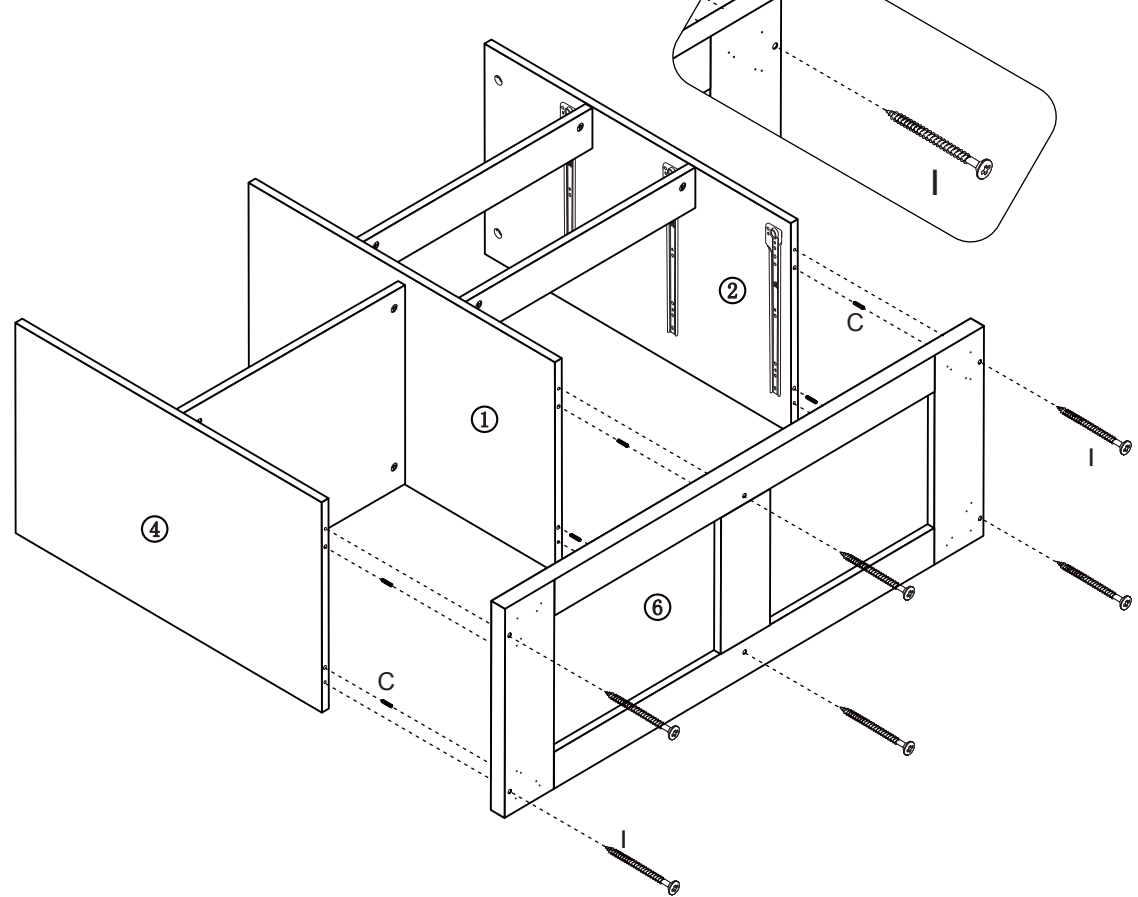
B		4 PCS
C		4 PCS



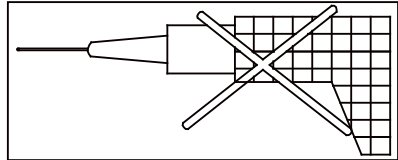
STEP 6

You will need:-

C		6 PCS
I		6 PCS





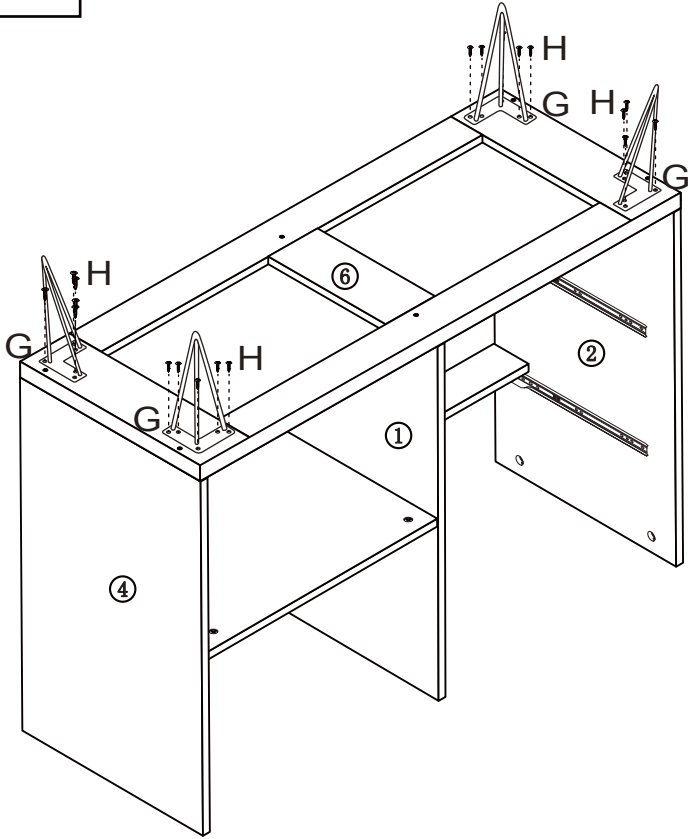
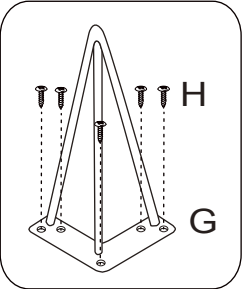
THE USE OF POWER TOOLS TO ASSEMBLE THIS PRODUCT WILL INVALIDATE ANY CLAIM AND MAY DAMAGE THIS PRODUCT MAKING IT UNSAFE



STEP 7




You will need:-

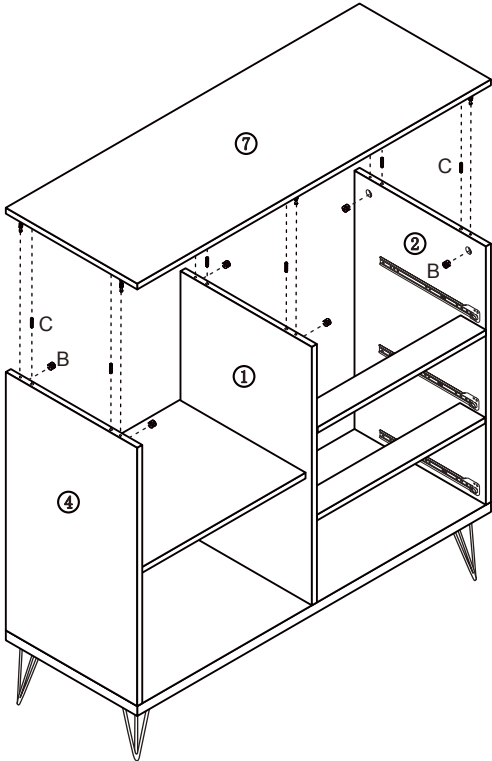
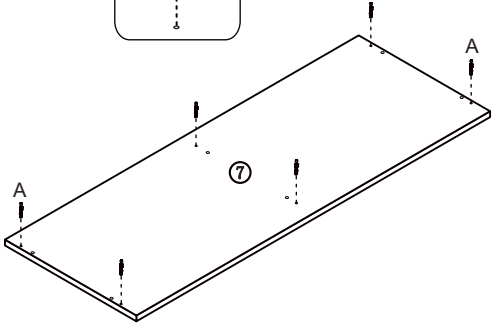
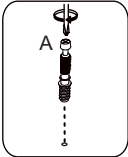
G		4 PCS
H		20 PCS



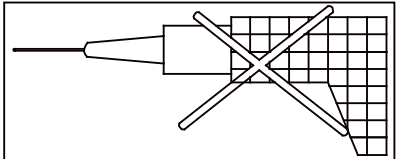
STEP 8

You will need:-

A		6 PCS
B		6 PCS
C		6 PCS





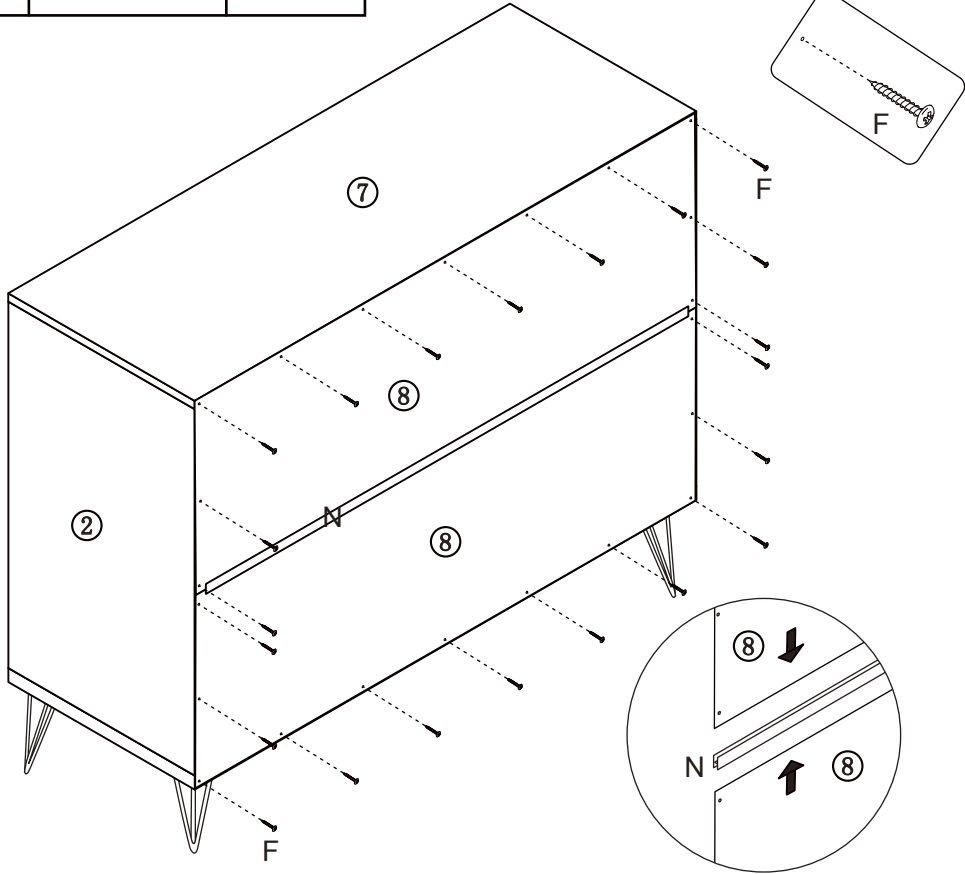
THE USE OF POWER TOOLS TO ASSEMBLE THIS PRODUCT WILL INVALIDATE ANY CLAIM AND MAY DAMAGE THIS PRODUCT MAKING IT UNSAFE



STEP 9




You will need:-

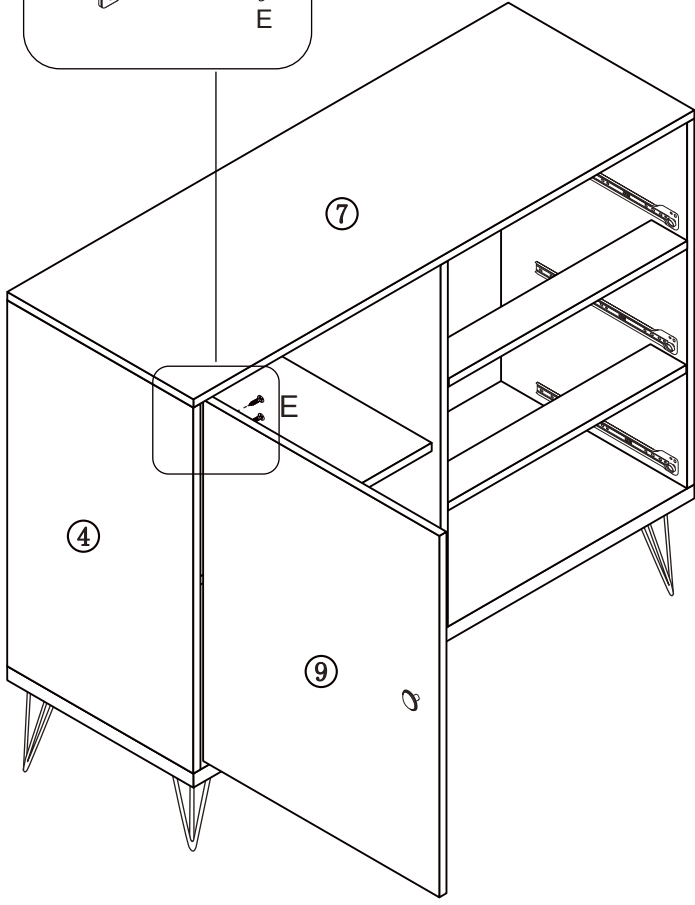
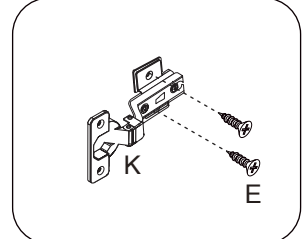
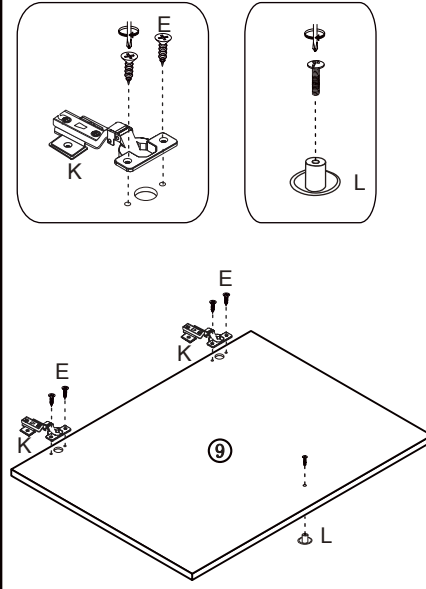
F		22 PCS
N		1 PC



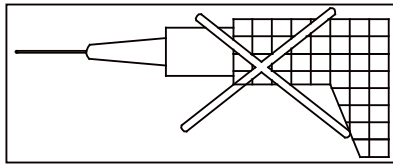
STEP 10

You will need:-

E		8 PCS
K		2 PCS
L		1 PCS










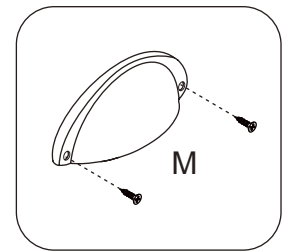
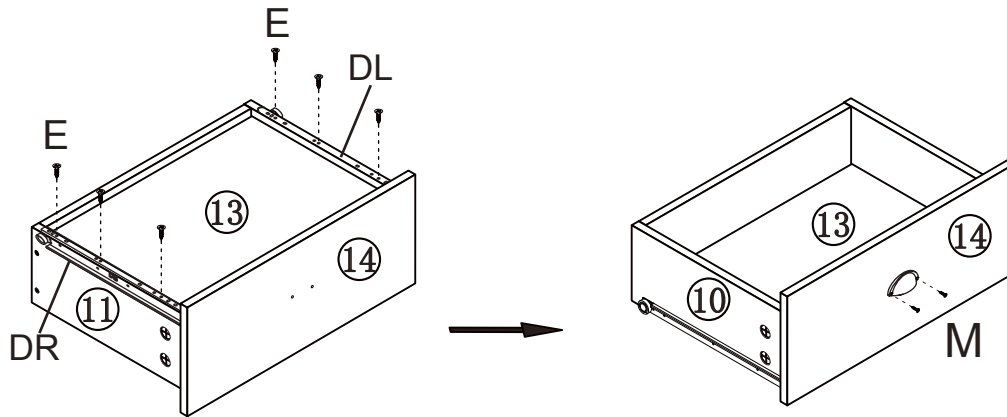
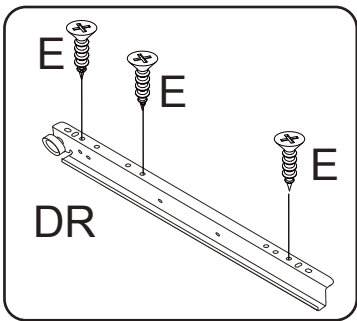
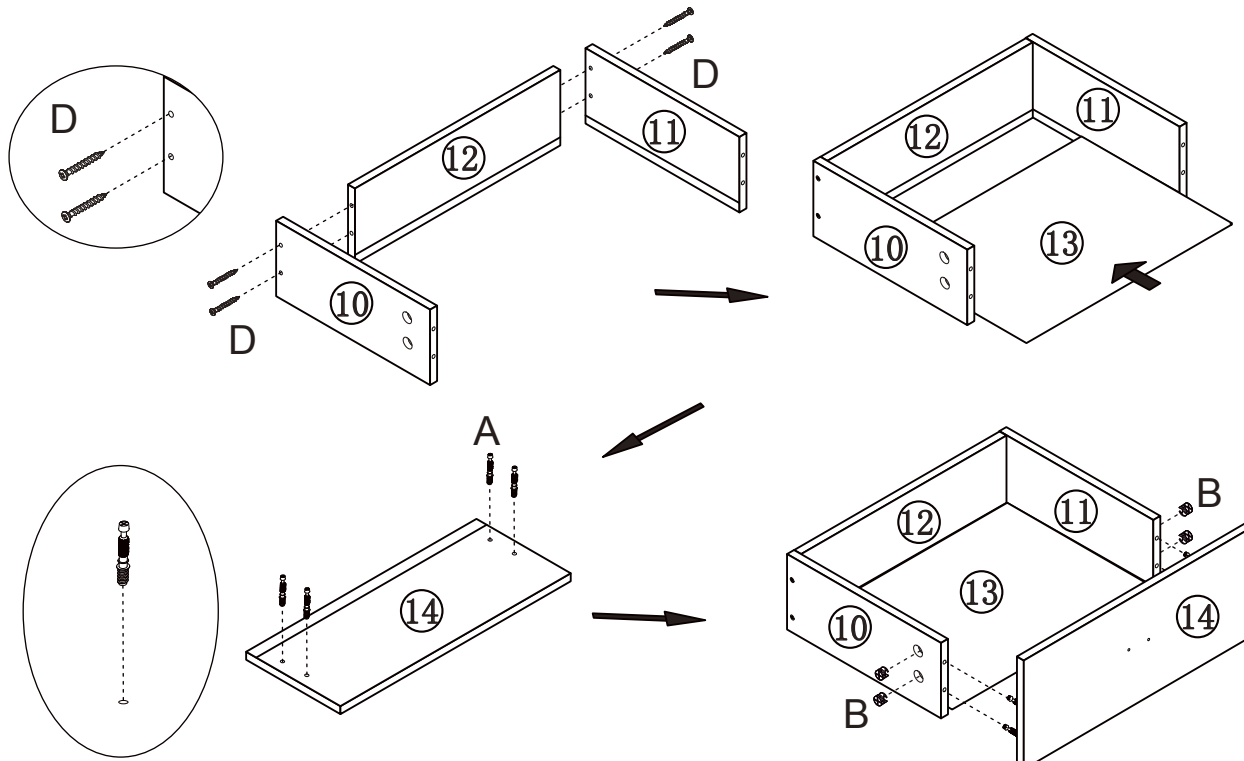
THE USE OF POWER TOOLS TO ASSEMBLE THIS PRODUCT WILL INVALIDATE ANY CLAIM AND MAY DAMAGE THIS PRODUCT MAKING IT UNSAFE



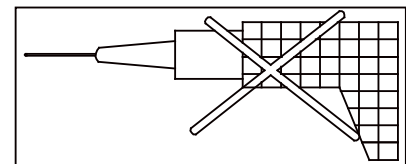
STEP 11

You will need:-

A		12 PCS
B		12 PCS
D		12 PCS
E		18 PCS
M		3 PCS
DL		3 PCS
DR		3 PCS



THE USE OF POWER TOOLS TO ASSEMBLE THIS PRODUCT WILL INVALIDATE ANY CLAIM AND MAY DAMAGE THIS PRODUCT MAKING IT UNSAFE



STEP 12

You will need:-

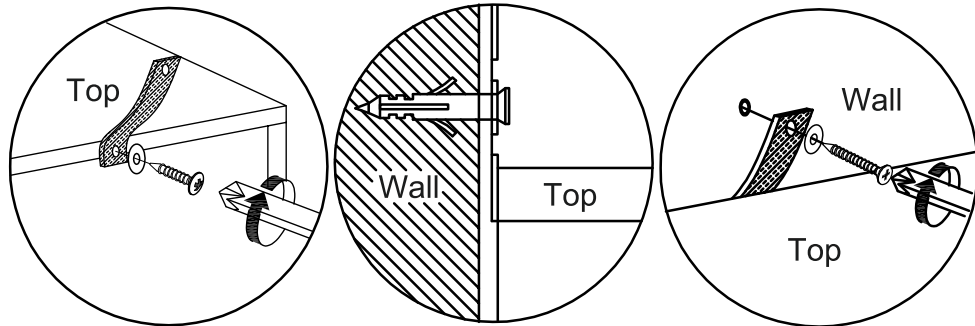
J		2 PCS
---	---	-------



WARNING

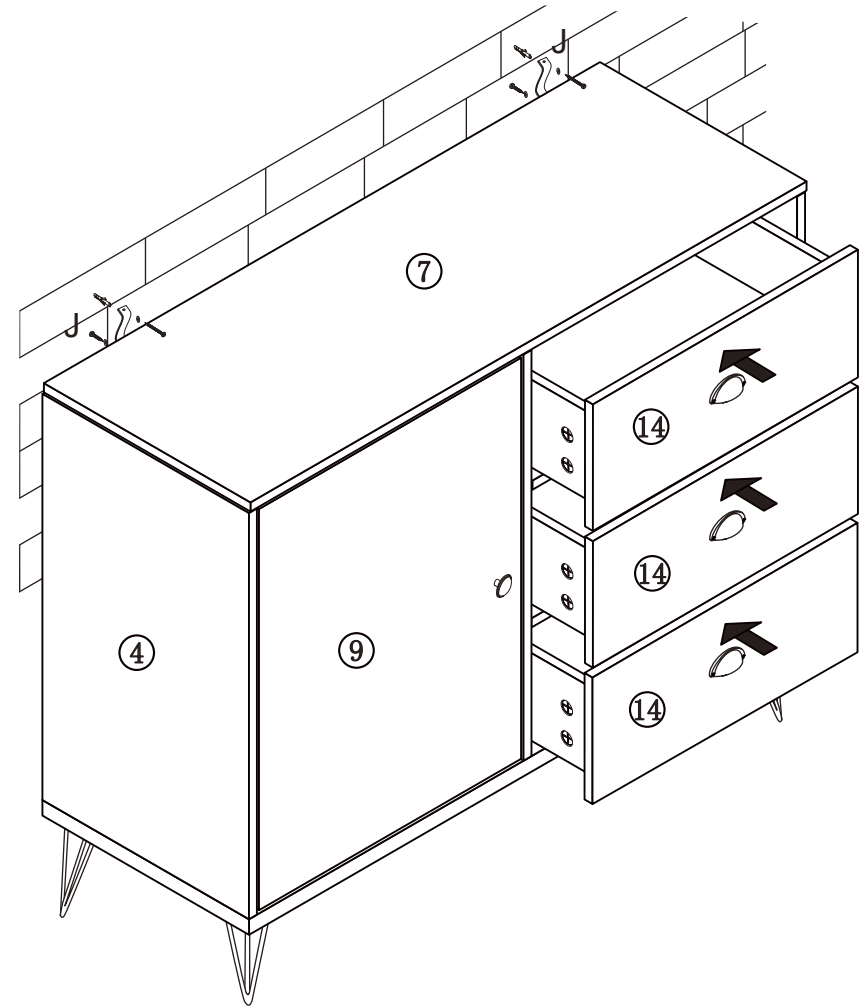
Serious or fatal injuries can occur from furniture tipping over. To prevent the furniture from tipping over we recommend that it is permanently fixed to the wall.

Wall fixings are not supplied with this product as different wall materials require different types of fixing devices.

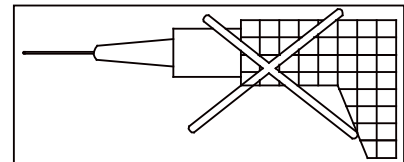
Please make sure you use fixings suitable for the walls in your home.

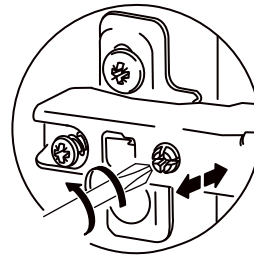
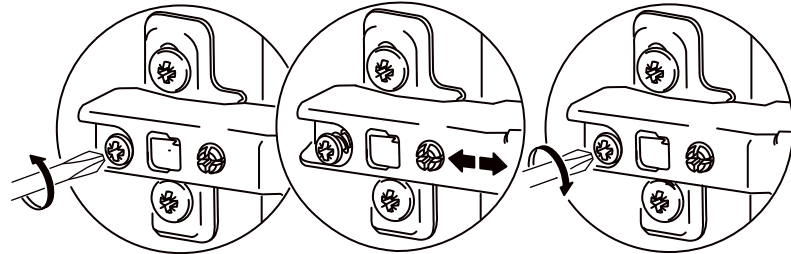
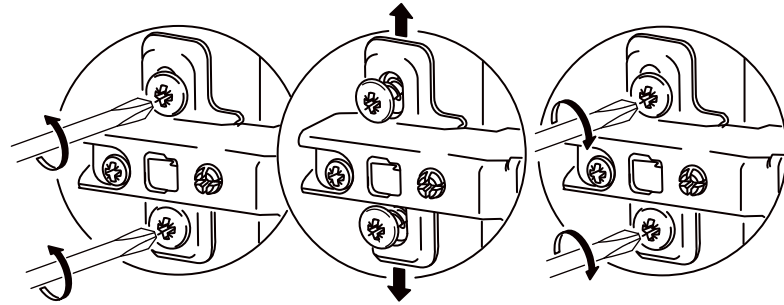
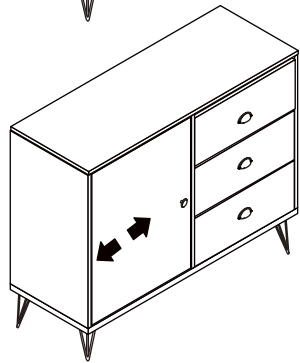
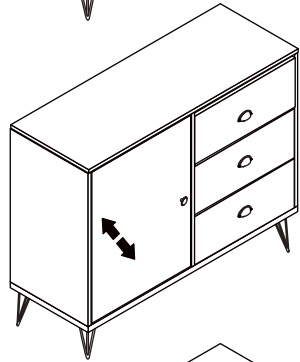
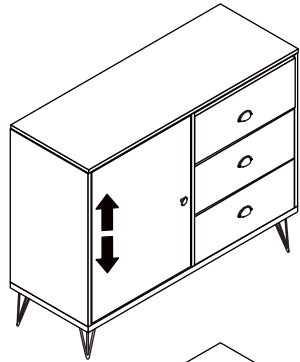


HARDWARE LIST	
	Strap (Anti-Tip Kit) (1x)
	Wood Screw (Anti-Tip Kit) 3,5 x 30mm (1x)
	Washer (Anti-Tip Kit) (2x)



THE USE OF POWER TOOLS TO ASSEMBLE THIS PRODUCT WILL INVALIDATE ANY CLAIM AND MAY DAMAGE THIS PRODUCT MAKING IT UNSAFE





THE USE OF POWER TOOLS TO ASSEMBLE THIS PRODUCT WILL INVALIDATE ANY CLAIM AND MAY DAMAGE THIS PRODUCT MAKING IT UNSAFE

