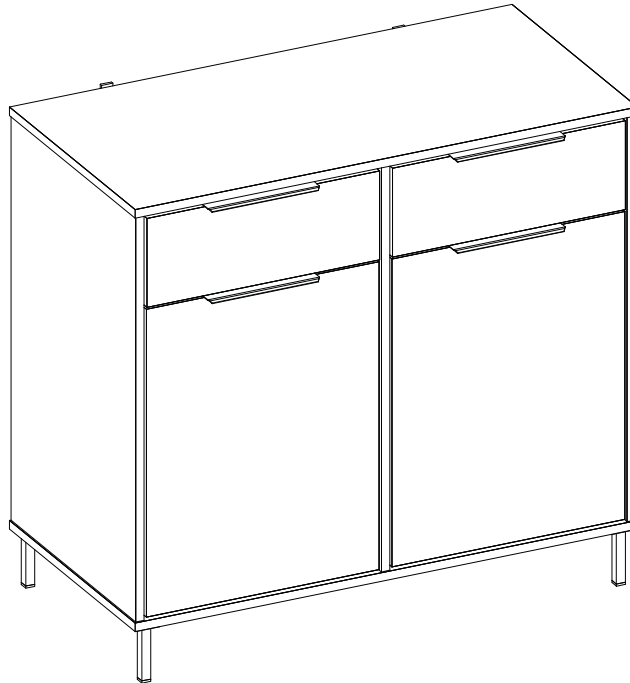


MADRID 2 DOOR SIDEBOARD ASSEMBLY INSTRUCTIONS

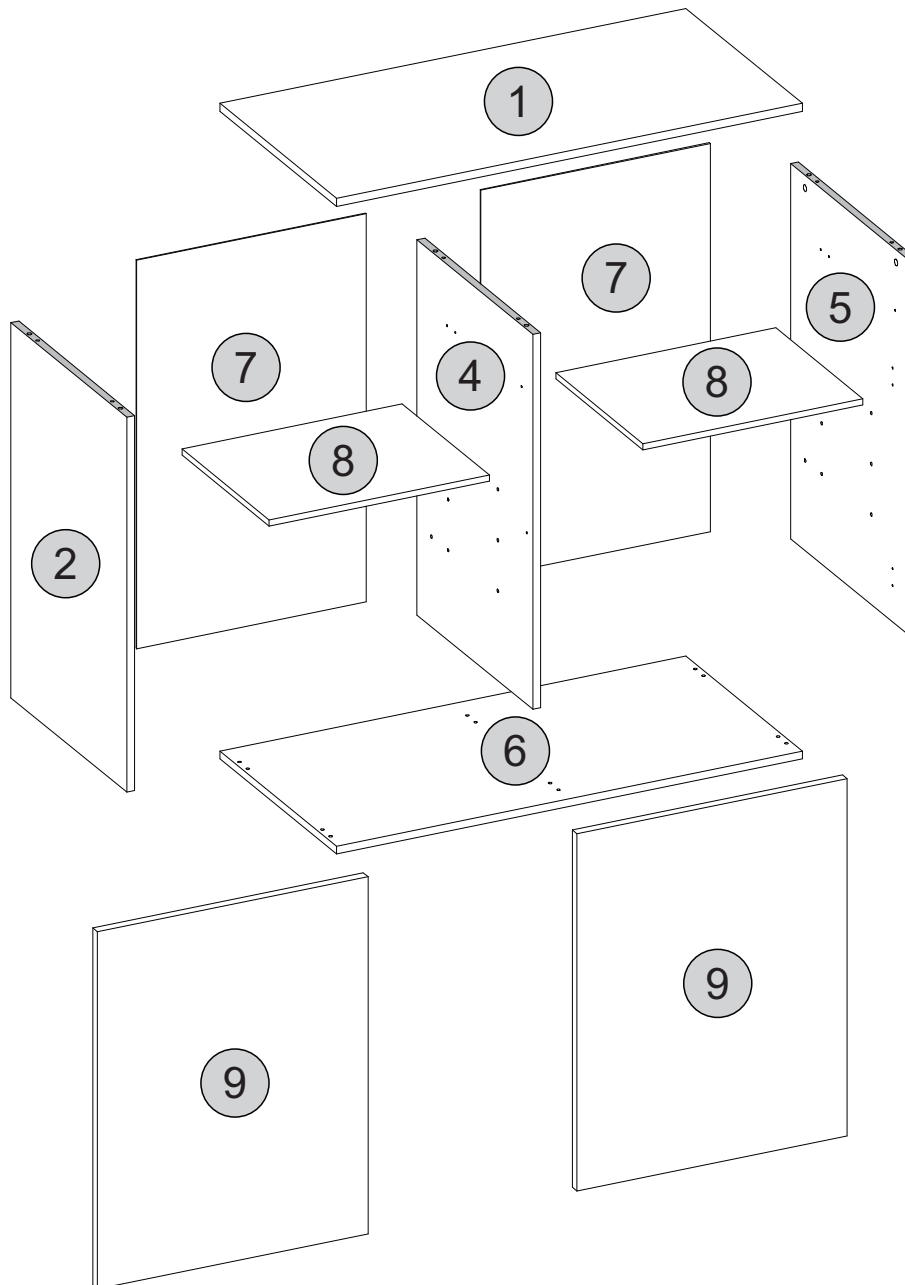
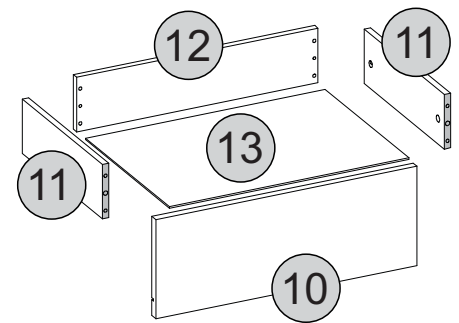
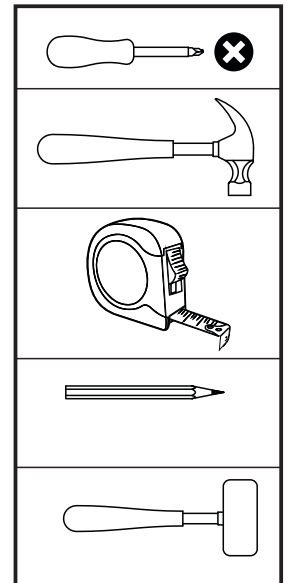


IMPORTANT FOR DOMESTIC USE ONLY

PLEASE READ BEFORE YOU CONTINUE FURTHER

CARE AND MAINTENANCE

- After unpacking this product please keep the original packaging in case it needs to be returned for any reason.
- Please ensure all fittings and parts are present before commencing with assembly.
 - Never drag or push products as this could cause damage to the joints making it inferior.
 - We strongly recommend that you keep children away from your work area.
 - We recommend that you lay a blanket or sheet on the floor to avoid damage to both your floor and the product.
 - Assemble this product as close to its final position as possible.
 - Do not place this product next to a radiator or in direct sunlight.
 - Do not drag or push items across your high gloss furniture as this may cause the surface to scratch
 - Wood is a natural product and may expand if subjected to damp and may shrink or crack if subjected to heat. Therefore it is recommended that room temperature is maintained, with no sudden temperature fluctuations.
 - Make sure any spillage is wiped off immediately.
 - Do not place hot or chilled items directly on to the surface, use a place mat or marking will occur.
 - For general cleaning use a soft cotton or micro fibre cloth, and do not use detergents of any kind.
 - From time to time it may be necessary to tighten fittings, regular inspections should be carried out.
 - Do not place on a wet or damp floor as staining may occur to your floor.

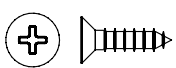
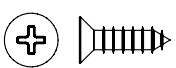
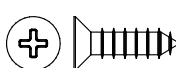

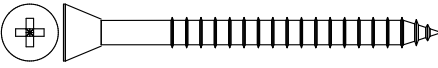
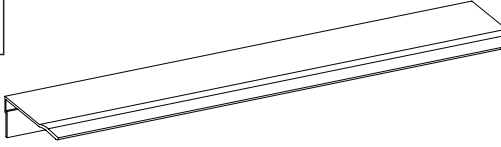
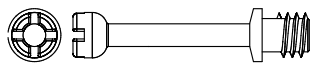
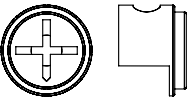

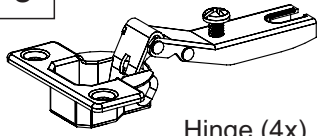
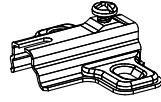
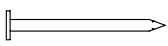
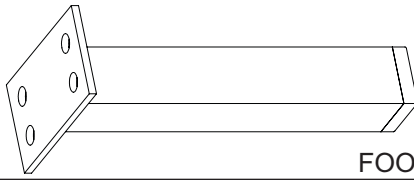

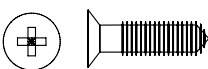
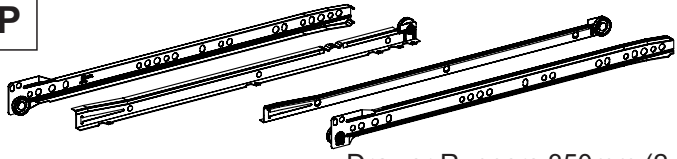
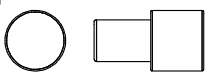
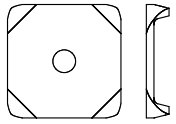
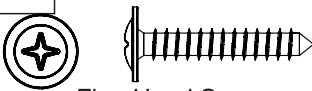
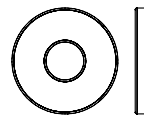

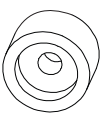
**TOOLS REQUIRED****PARTS LIST*****Please Note:***

The below parts have all been stamped with the part number to help identify them during assembly.

Part Number	Part Code	Part Description	Quantity	Carton
1	S400-405-038-AL1-01	Top Panel	1	1/1
2	S400-405-038-AL1-02	Left Side Panel	1	1/1
4	S400-405-038-AL1-04	Division Panel	1	1/1
5	S400-405-038-AL1-05	Right Side Panel	1	1/1
6	S400-405-038-AL1-06	Base Panel	1	1/1
7	S400-405-038-AL1-07	Back Panel	2	1/1
8	S400-405-038-AL1-08	Adjustable Shelf	2	1/1
9	S400-405-038-AL1-09	Door	2	1/1
10	S400-405-038-AL1-10	Drawer Front	2	1/1
11	S400-405-038-AL1-11	Drawer Side	4	1/1
12	S400-405-038-AL1-12	Drawer Back Panel	2	1/1
13	S400-405-038-AL1-13	Drawer Bottom	2	1/1


FITTINGS LIST

SEC/SH/10/21/AL1


<p>A</p>  <p>Flat Head Screw Ø3,0 x 12mm (20x)</p> <p>2/+</p>	<p>B</p>  <p>Flat Head Screw Ø3,5 x 12mm (8x)</p> <p>1/+</p>	<p>C</p>  <p>Flat Head Screw Ø4,0 x 14mm (16x)</p> <p>2/+</p>	<p>D</p>  <p>2/+ Dowel Ø6,0 x 30mm (28x)</p>
<p>E</p>  <p>Flat Head Screw Ø4,0 x 50mm (6x)</p> <p>1/+</p>	<p>F</p>  <p>Handle (4x)</p>		<p>G</p>  <p>2/+ Cam Bolt (14x)</p>
<p>H</p>  <p>Cam Nut (14x)</p> <p>2/+</p>	<p>I</p>  <p>Hole Plugs (38x)</p> <p>2/+</p>	<p>J</p>  <p>Hinge (4x)</p>	<p>K</p>  <p>Hinge Plate (4x)</p>
<p>L</p>  <p>Nail 10 x 10 (42x)</p> <p>2/+</p>	<p>M</p>  <p>FOOT (5x)</p>	<p>N</p>  <p>Glue (2x)</p>	
<p>O</p>  <p>Flat Head Screw Ø4,5 x 16mm (22x)</p> <p>2/+</p>	<p>P</p>  <p>Drawer Runners 350mm (2x)</p>		<p>Q</p>  <p>2/+ Support Pin (12x)</p>
<p>R</p>  <p>Back Panel Bracket (4x)</p> <p>1/+</p>	<p>S</p>  <p>Flan Head Screw Ø3,5 x 22mm (2x)</p> <p>1/+</p>	<p>T</p>  <p>Washer (4x)</p> <p>1/+</p>	<p>U</p>  <p>Strap (2x)</p>
<p>V</p>  <p>Support Pin (2x)</p> <p>1/+</p>			

TIPS FOR FITTINGS CAM-LOCKS


WHEN FITTING CAM NUT, ENSURE STARTING POSITION IS CORRECT BEFORE YOU INSERT CONNECTING CAM BOLT TURN CLOCKWISE UNTIL SECURE




✓



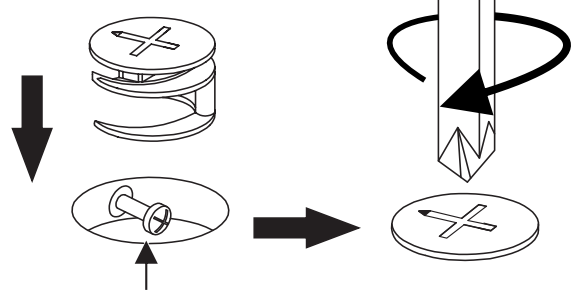
CORRECT



✗



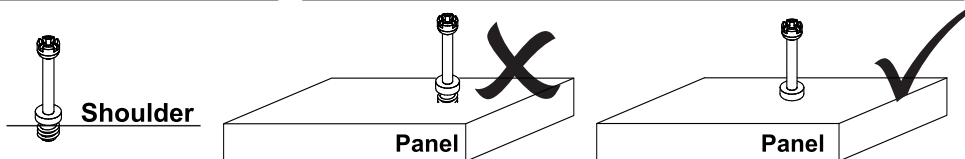
WRONG



Cam bolt head needs to be in centre

CAMBOLT

Tighten until shoulder in flush with panel. Do not overtighten or undertighten (see example beside)

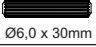
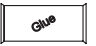
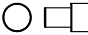


STEP 1

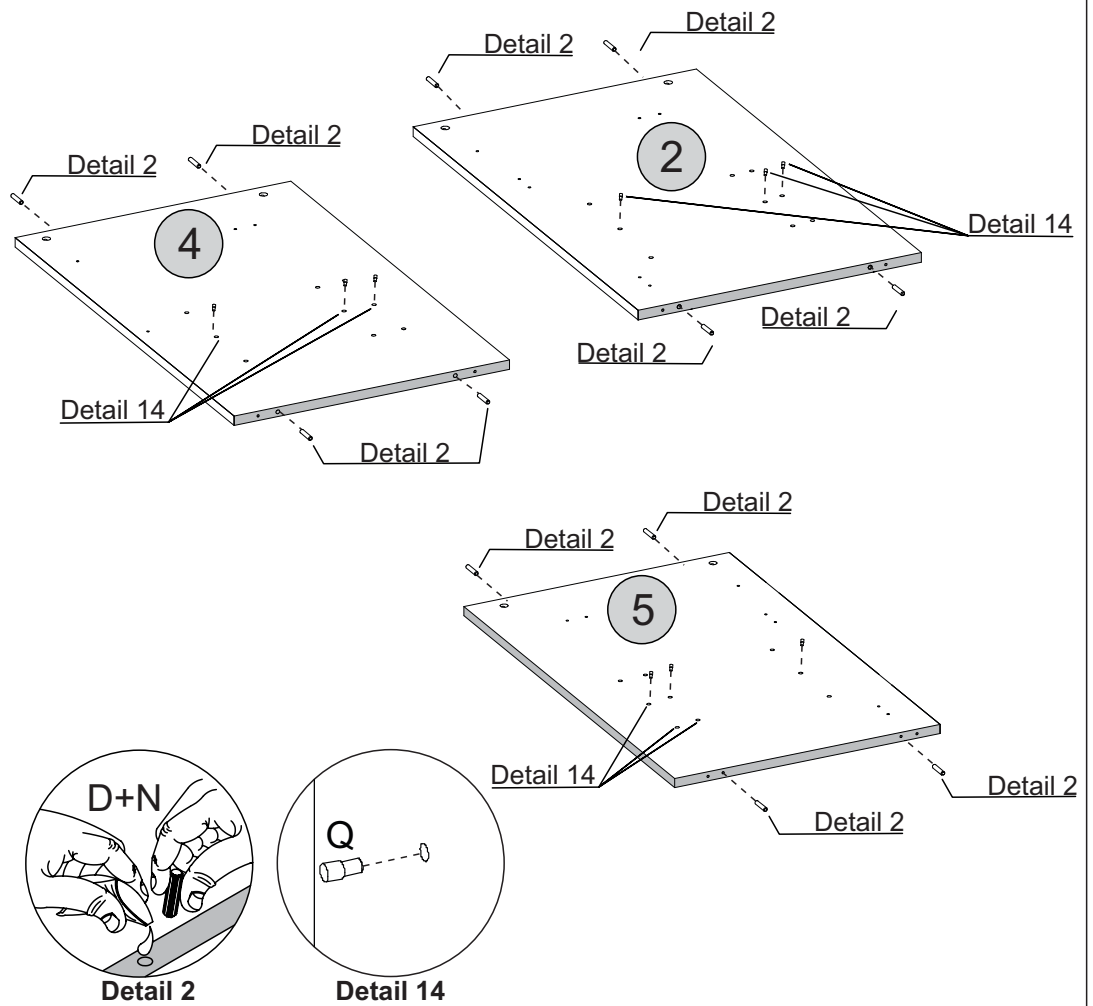
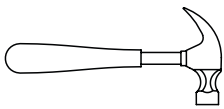
PARTS REQUIRED

2 - LEFT SIDE PANEL	x1
4 - DIVISION PANEL	x1
5 - RIGHT SIDE PANEL	x1

HARDWARE REQUIRED

D		12
N		01
Q		09

TOOLS REQUIRED

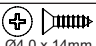




STEP 2

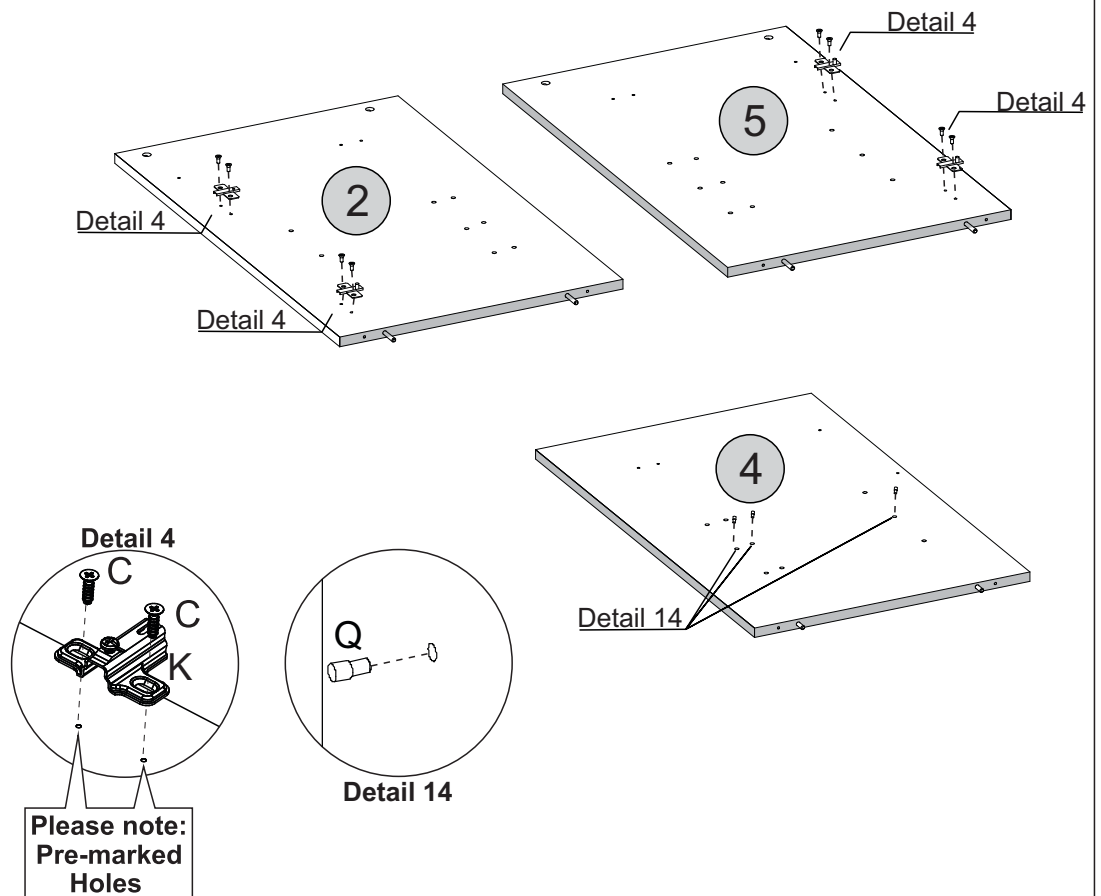
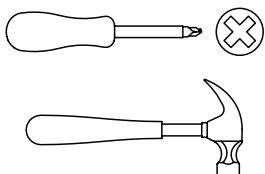
PARTS REQUIRED

2 - LEFT SIDE PANEL	x1
4 - DIVISION PANEL	x1
5 - RIGHT SIDE PANEL	x1

HARDWARE REQUIRED

C		08
K		04
Q		03

TOOLS REQUIRED

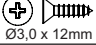



STEP 3

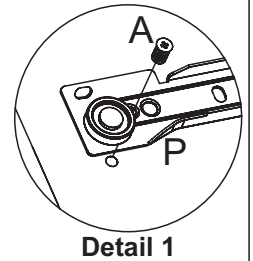
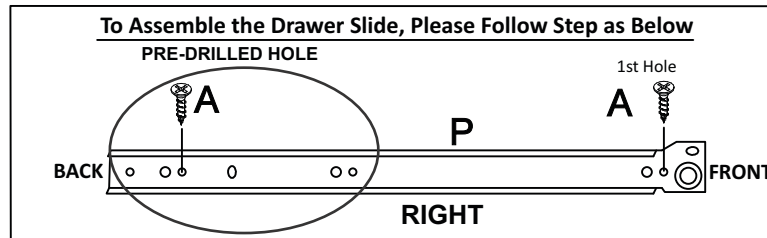
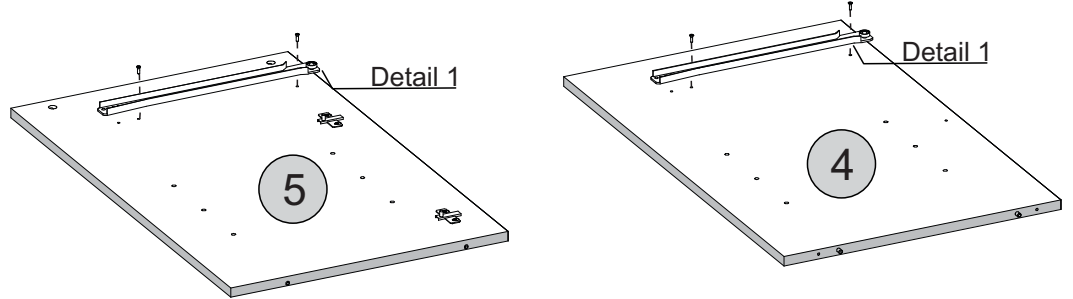
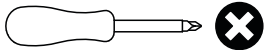
PARTS REQUIRED

- 4 - DIVISION PANEL x1
- 5 - RIGHT SIDE PANEL x1

HARDWARE REQUIRED

- A  04
Ø3,0 x 12mm
- P  02
Right

TOOLS REQUIRED

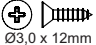



STEP 4

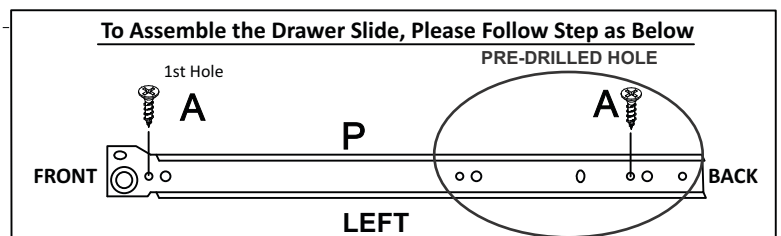
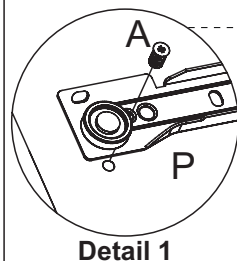
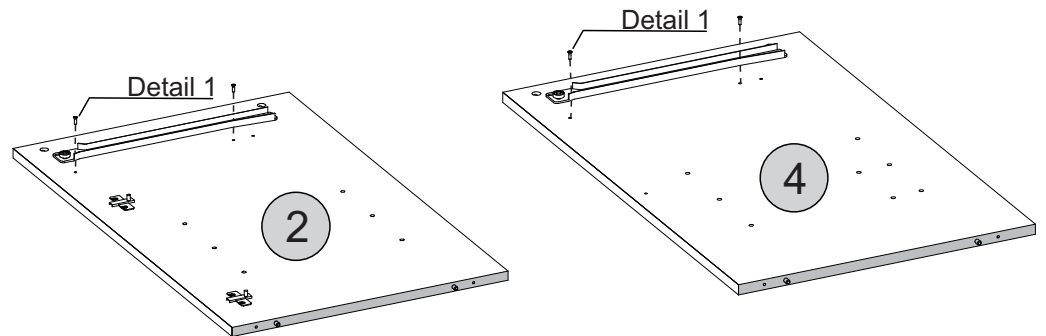
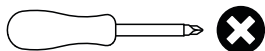
PARTS REQUIRED

- 2 - LEFT SIDE PANEL x1
- 4 - DIVISION PANEL x1

HARDWARE REQUIRED

- A  04
Ø3,0 x 12mm
- P  02
Left

TOOLS REQUIRED

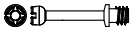


STEP 5

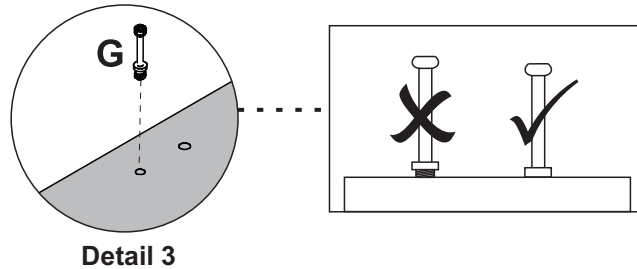
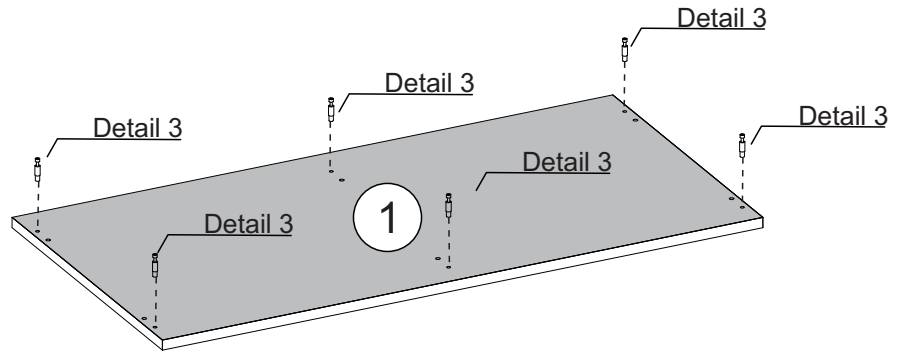
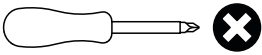
PARTS REQUIRED

1- TOP PANEL x1

HARDWARE REQUIRED

G  06

TOOLS REQUIRED



STEP 6

PARTS REQUIRED

1- TOP PANEL x1

2- LEFT SIDE PANEL x1

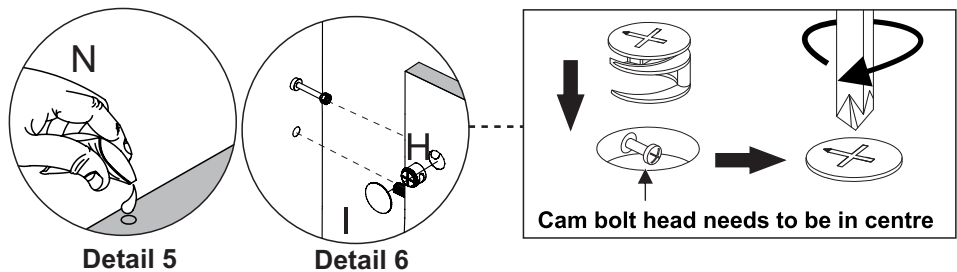
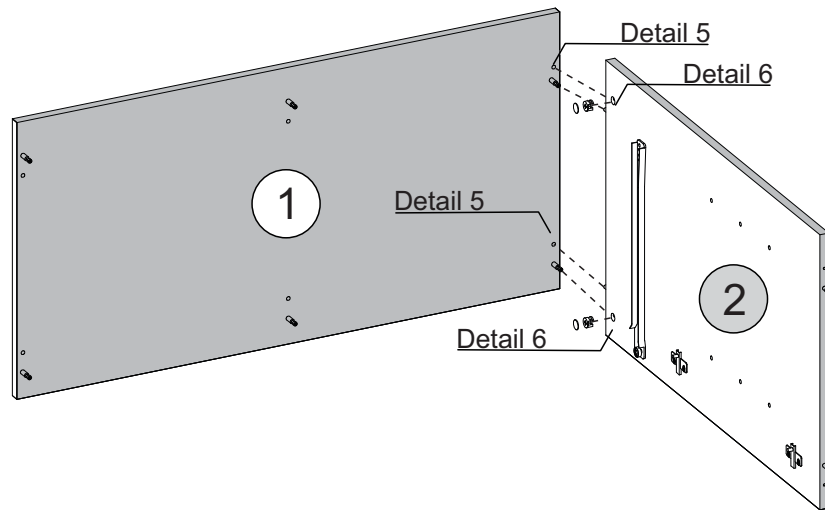
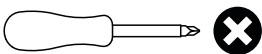
HARDWARE REQUIRED

H  02

I  02

N  01

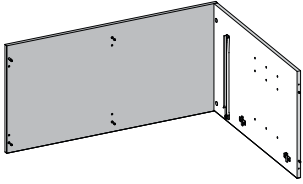
TOOLS REQUIRED



STEP 7

PARTS REQUIRED

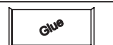
4 - DIVISION PANEL x1



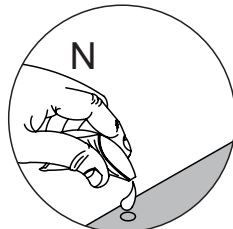
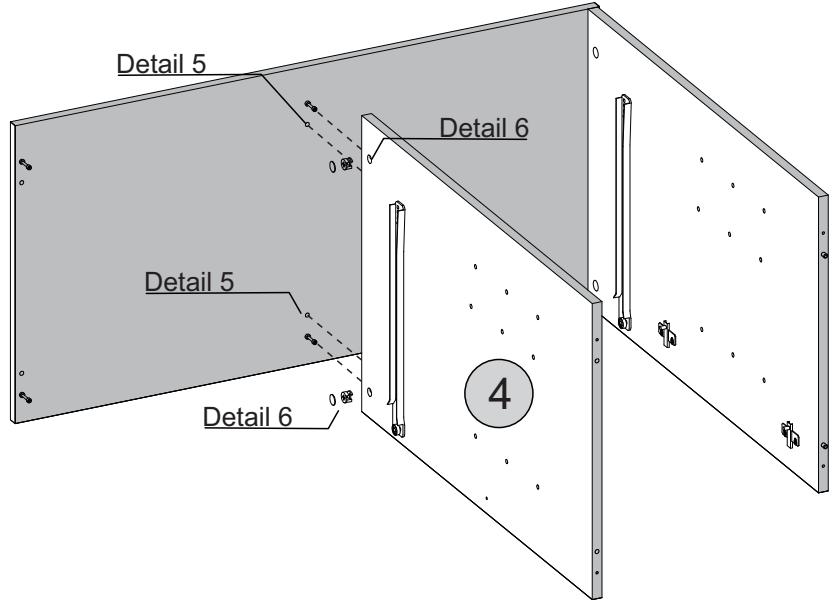
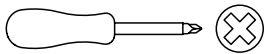
HARDWARE REQUIRED

H  02

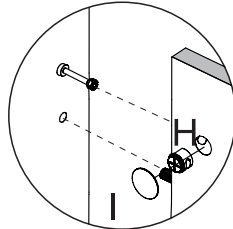
I  02

N  01

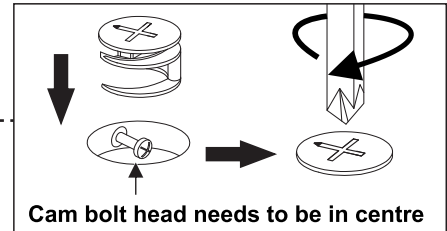
TOOLS REQUIRED



Detail 5



Detail 6

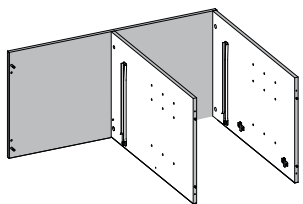


Cam bolt head needs to be in centre


STEP 8

PARTS REQUIRED

5- RIGHT SIDE PANEL x1



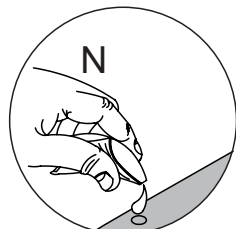
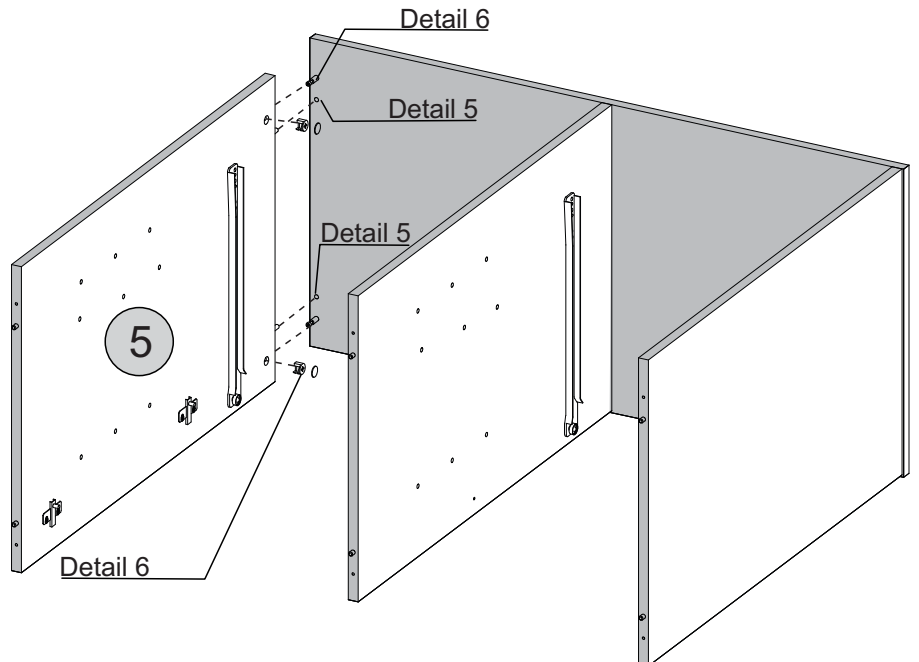
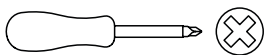
HARDWARE REQUIRED

H  02

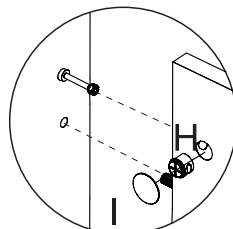
I  02

N  01

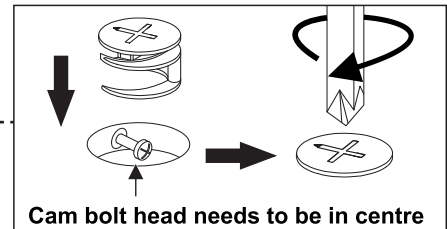
TOOLS REQUIRED



Detail 5



Detail 6

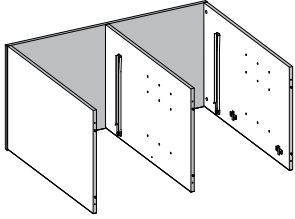


Cam bolt head needs to be in centre


STEP 9

PARTS REQUIRED

6- BASE PANEL x1

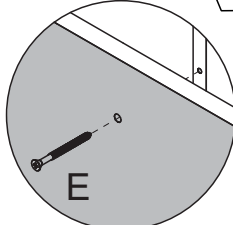
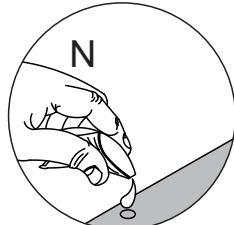
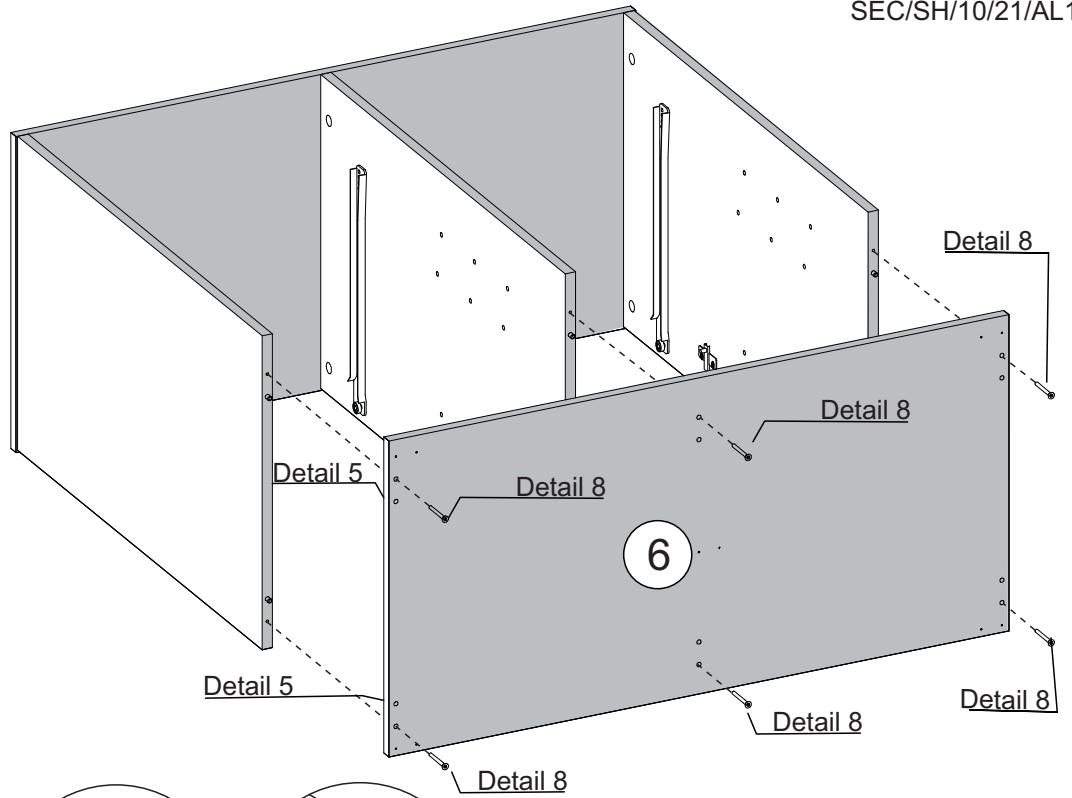
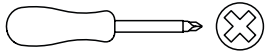


HARDWARE REQUIRED

E  06
Ø4,0 x 50mm

N  01

TOOLS REQUIRED



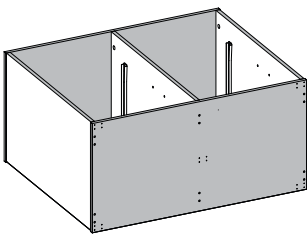
Detail 5

Detail 8

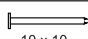
STEP 10

PARTS REQUIRED

7 - BACK PANEL x2

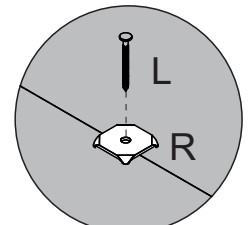
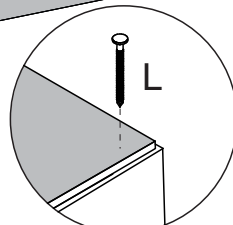
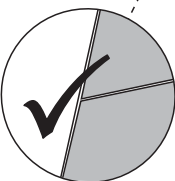
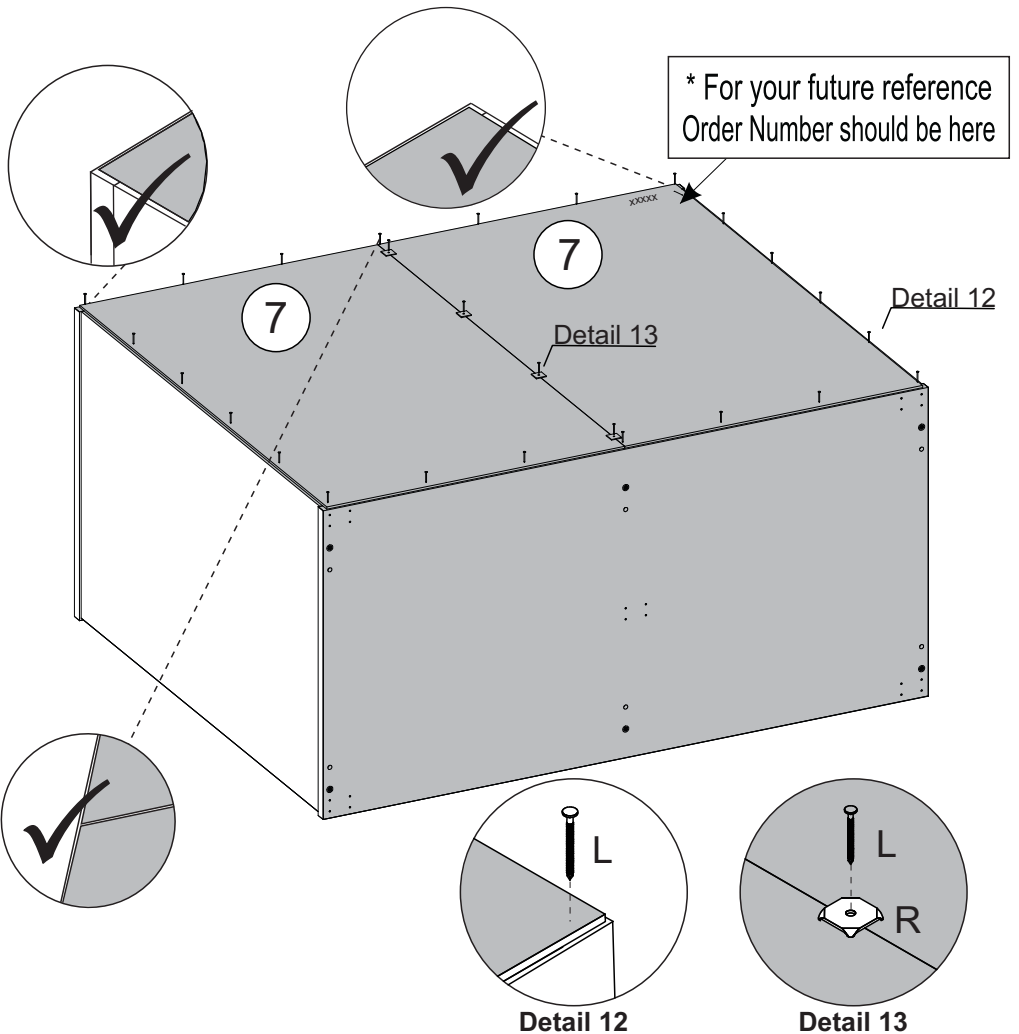
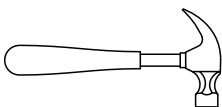


HARDWARE REQUIRED

L  26
10 x 10

R  04

TOOLS REQUIRED

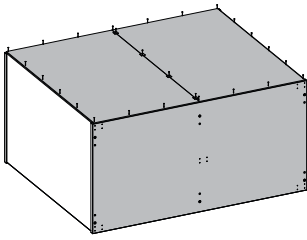


Detail 12

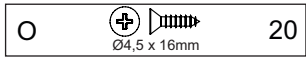
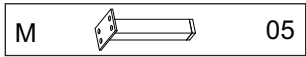
Detail 13

STEP 11

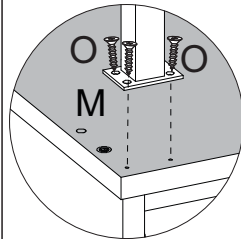
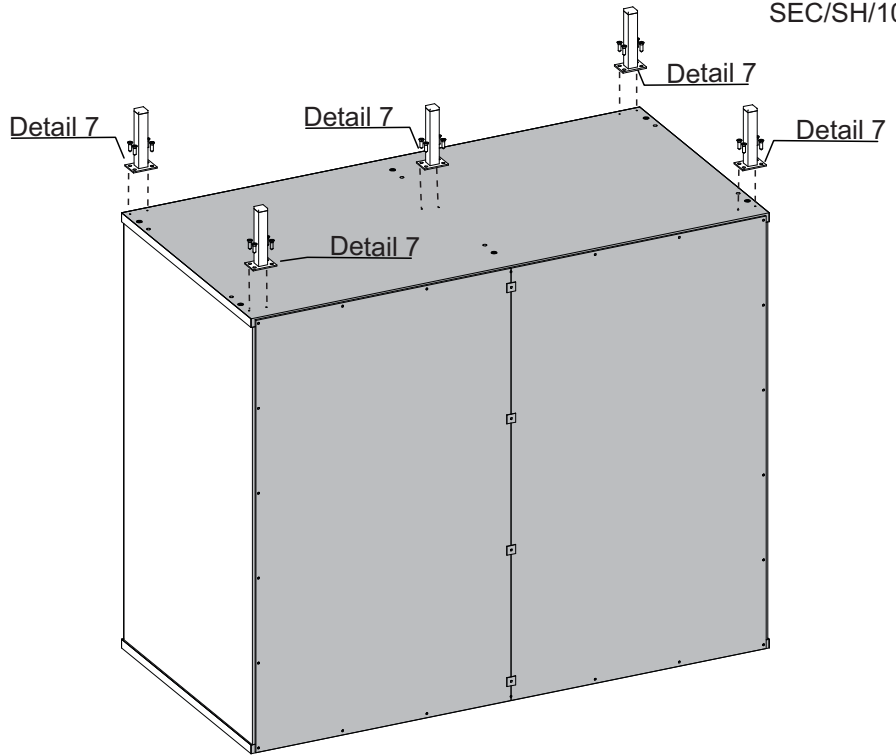
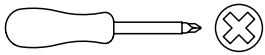
PARTS REQUIRED



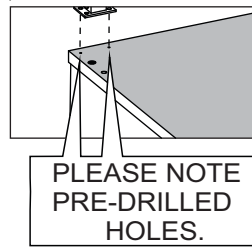
HARDWARE REQUIRED



TOOLS REQUIRED



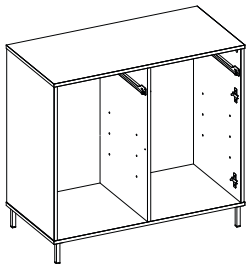
Detail 7



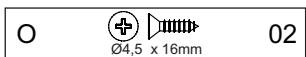
PLEASE NOTE
PRE-DRILLED
HOLES.

STEP 12

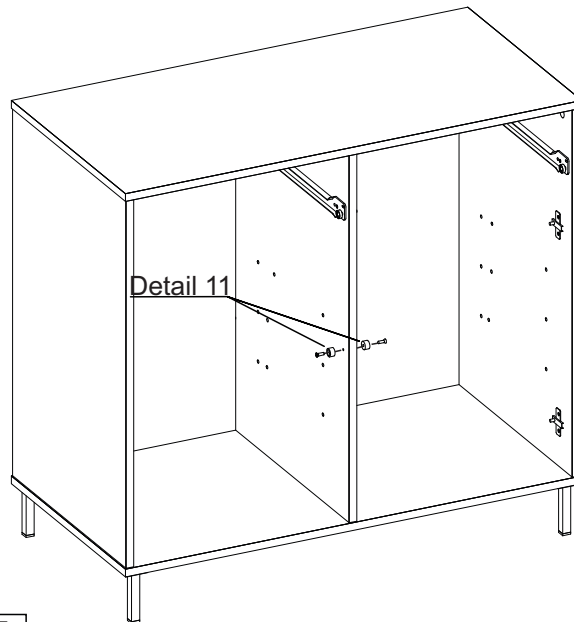
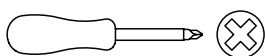
PARTS REQUIRED



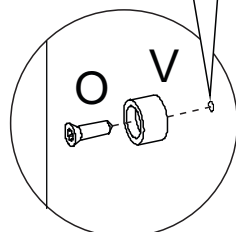
HARDWARE REQUIRED



TOOLS REQUIRED



PLEASE NOTE
PRE-DRILLED
HOLES.

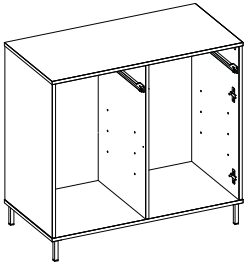


Detail 11

STEP 13

PARTS REQUIRED

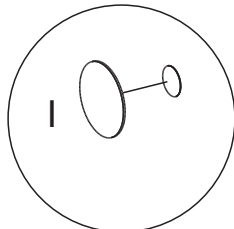
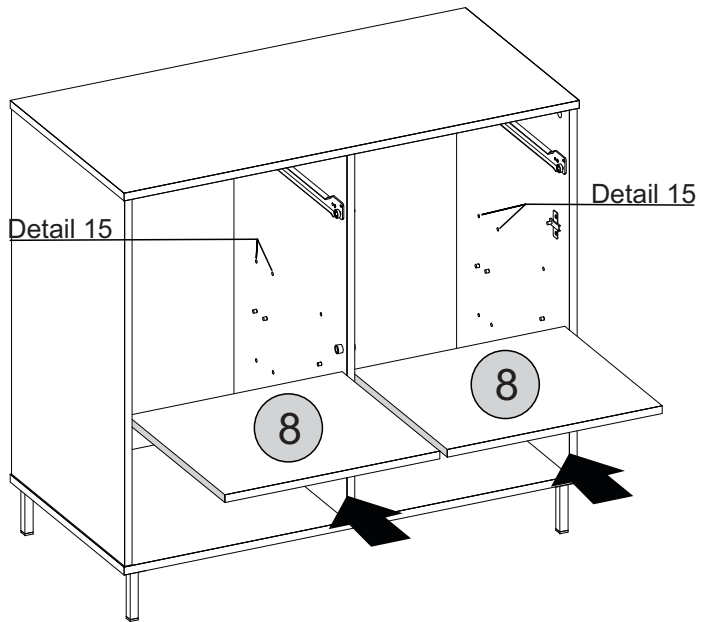
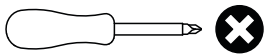
8- ADJUSTABLE SHELF x2



HARDWARE REQUIRED

I  24

TOOLS REQUIRED




Detail 15


STEP 14

PARTS REQUIRED

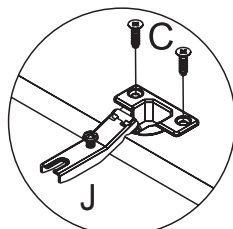
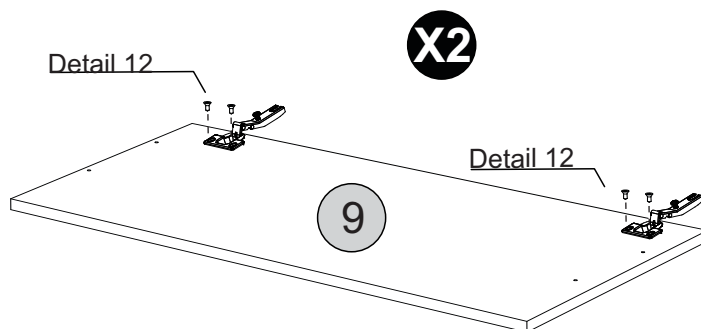
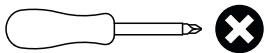
9- DOOR x2

HARDWARE REQUIRED

C  08
Ø4.0 x 14mm

J  04

TOOLS REQUIRED

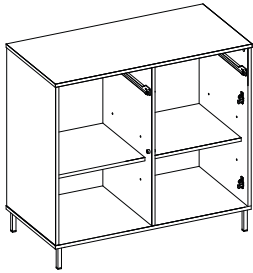


Detail 12

STEP 15

PARTS REQUIRED

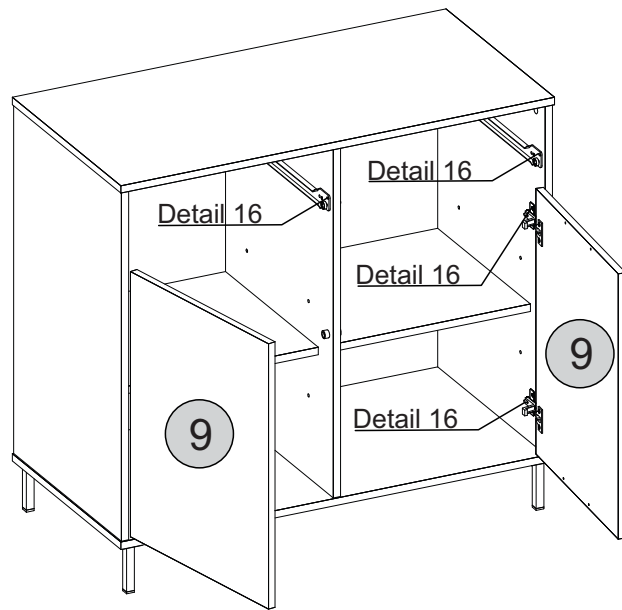
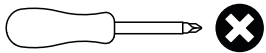
9 - DOOR x2



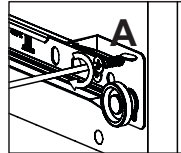
HARDWARE REQUIRED

A  04
Ø3.0 x 12mm

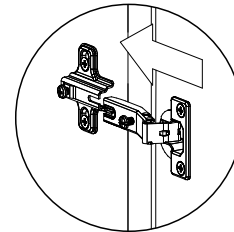
TOOLS REQUIRED



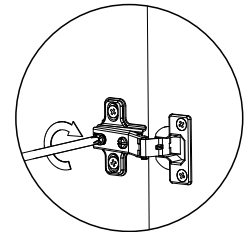
Drawer Lock



Detail 16



Detail 16




Detail 16


STEP 16

PARTS REQUIRED

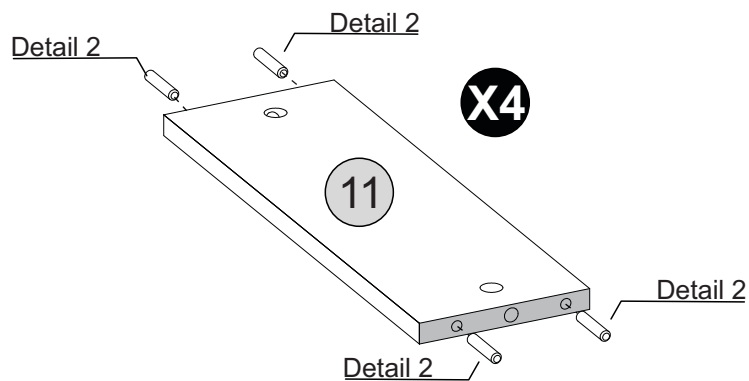
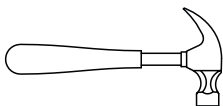
11- DRAWER SIDE x4

HARDWARE REQUIRED

D  16
Ø6,0 x 30mm

N  01

TOOLS REQUIRED



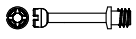
Detail 2

STEP 17

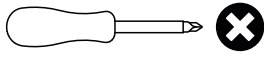
PARTS REQUIRED

12 - DRAWER BACK PANEL x2

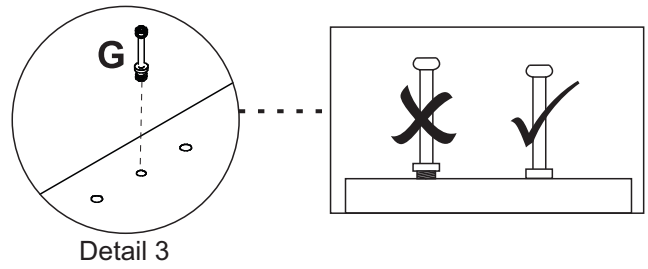
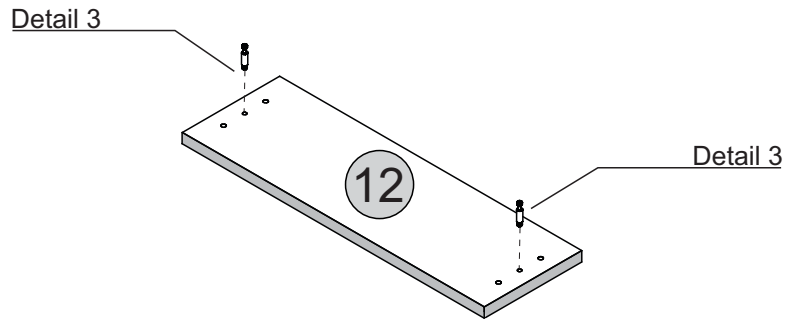
HARDWARE REQUIRED

G  04

TOOLS REQUIRED



X2

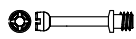


STEP 18

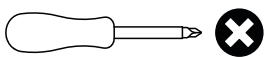
PARTS REQUIRED

10 - DRAWER FRONT x2

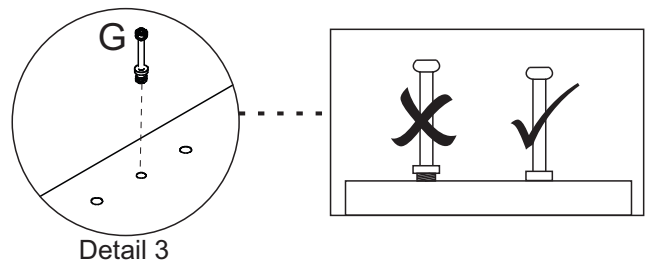
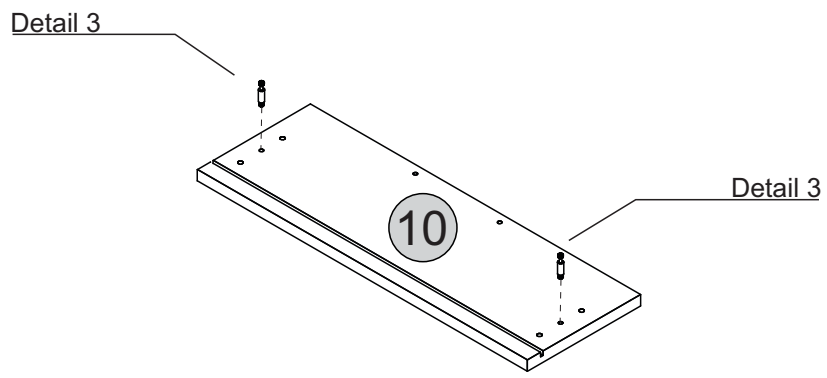
HARDWARE REQUIRED

G  04

TOOLS REQUIRED



X2






STEP 19

PARTS REQUIRED

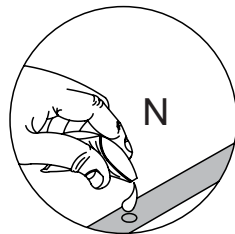
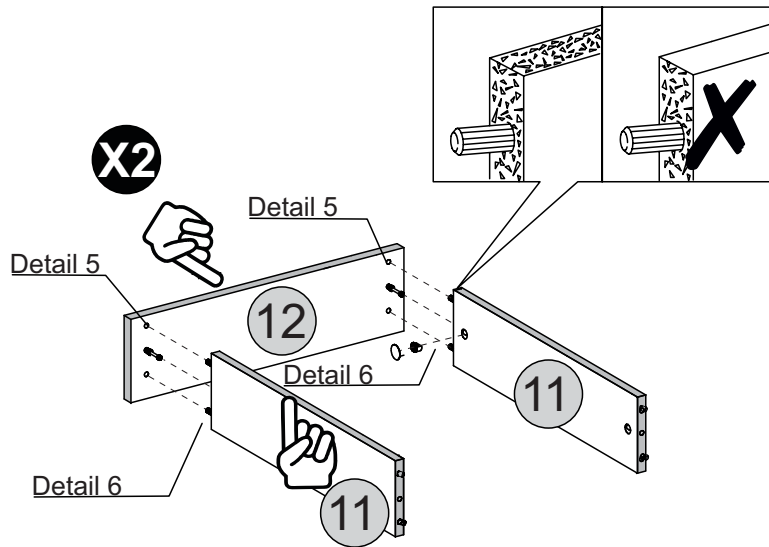
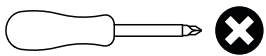
11 - DRAWER SIDE x4

12 - DRAWER BACK PANEL x2

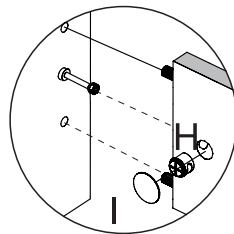
HARDWARE REQUIRED

- H  04
- I  04
- N  01

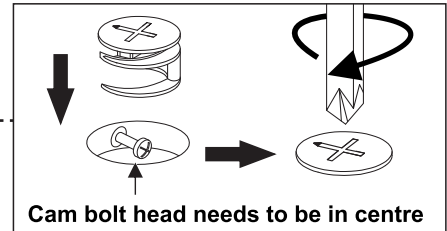
TOOLS REQUIRED



Detail 5



Detail 6

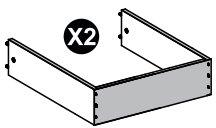


Cam bolt head needs to be in centre




STEP 20

PARTS REQUIRED

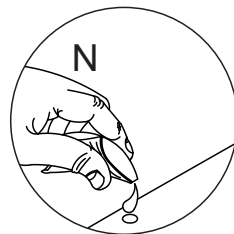
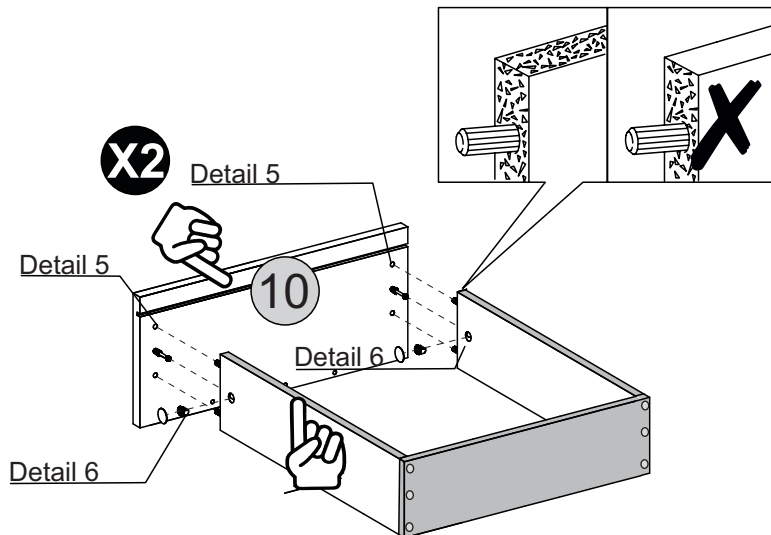
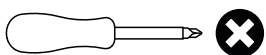
10 - DRAWER FRONT x2



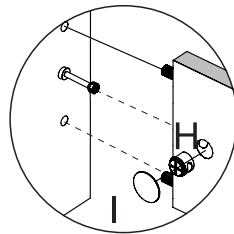
HARDWARE REQUIRED

- H  04
- I  04
- N  01

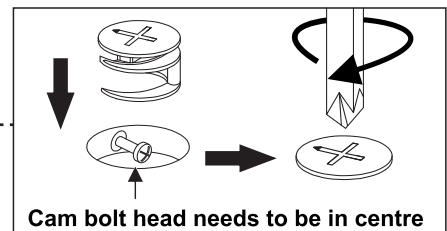
TOOLS REQUIRED



Detail 5



Detail 6

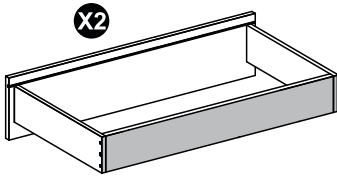


Cam bolt head needs to be in centre

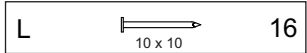
STEP 21

PARTS REQUIRED

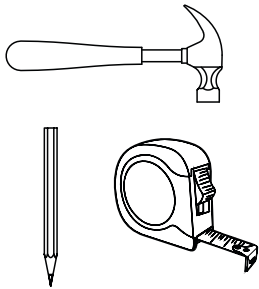
13 - DRAWER BOTTOM x2



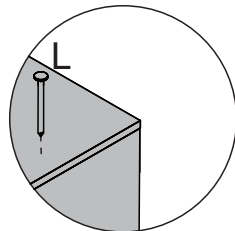
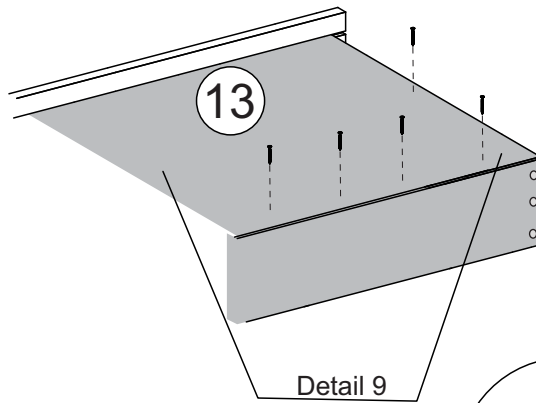
HARDWARE REQUIRED



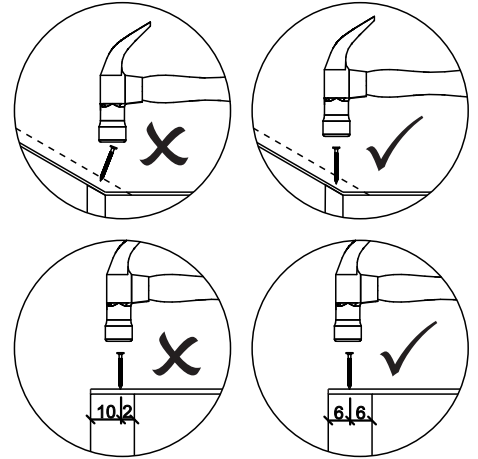
TOOLS REQUIRED



X2

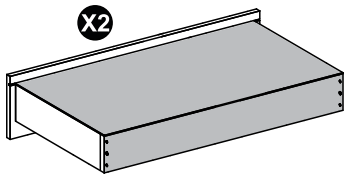


Detail 9

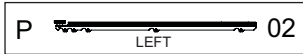
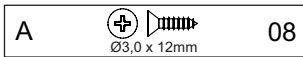


STEP 22

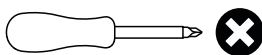
PARTS REQUIRED



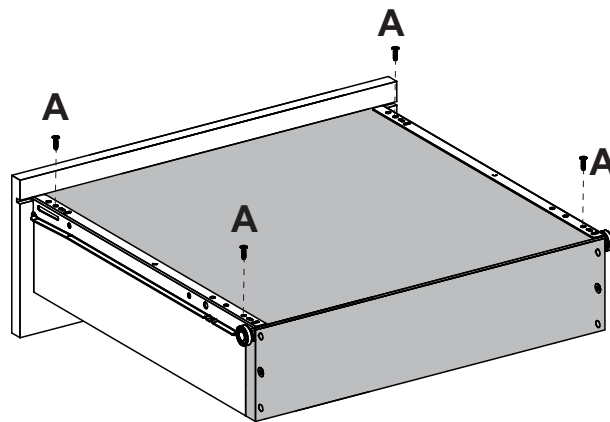
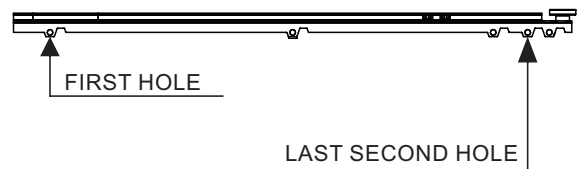
HARDWARE REQUIRED



TOOLS REQUIRED

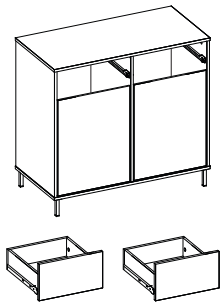


X2

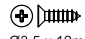



STEP 23

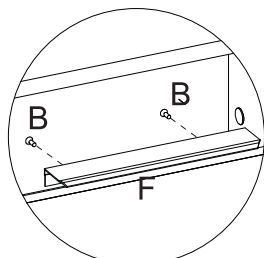
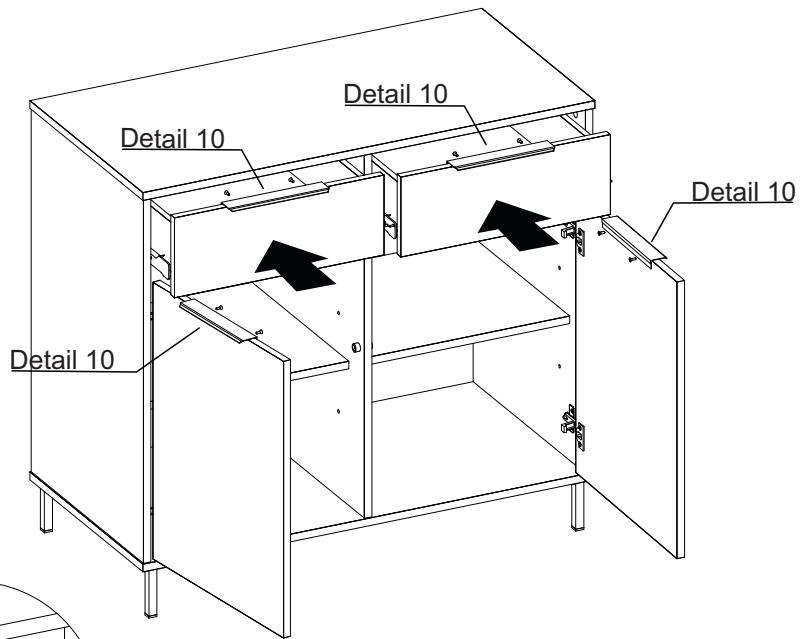
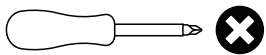
PARTS REQUIRED



HARDWARE REQUIRED


B	 08 Ø3,5 x 12mm
F	 04

TOOLS REQUIRED



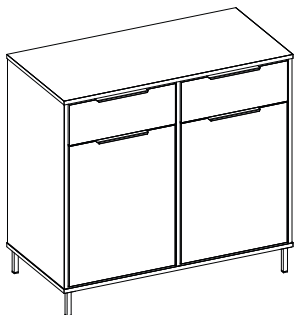
Detail 10

TIP
If desired, after assembly use an alcohol cleaner to erase the number printed on the parts.



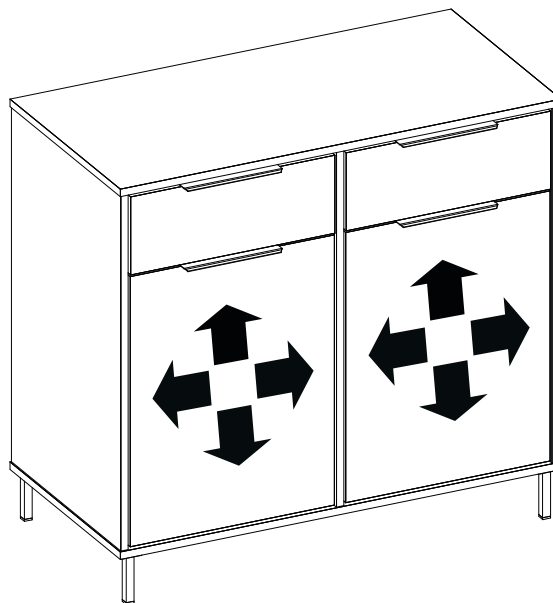
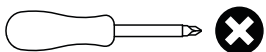
STEP 24

PARTS REQUIRED

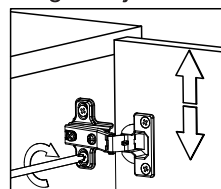


HARDWARE REQUIRED

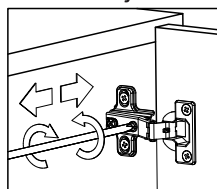
TOOLS REQUIRED



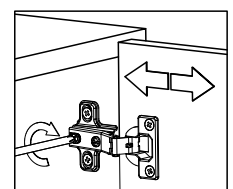
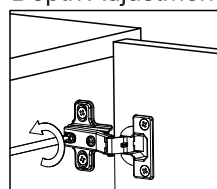
Height Adjustment



Internal Adjustment



Depth Adjustment



WARNING

Serious or fatal injuries can occur from furniture tipping over. To prevent the furniture from tipping over we recommend that it is permanently fixed to the wall.

Wall fixings are not supplied with this product as different wall materials require different types of fixing devices.

Please make sure you use fixings suitable for the walls in your home.

