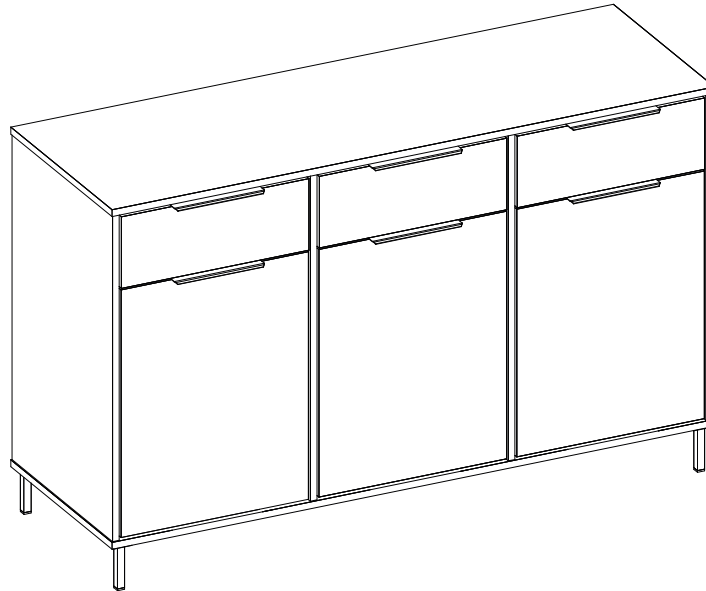


MADRID 3 DOOR SIDEBOARD ASSEMBLY INSTRUCTIONS

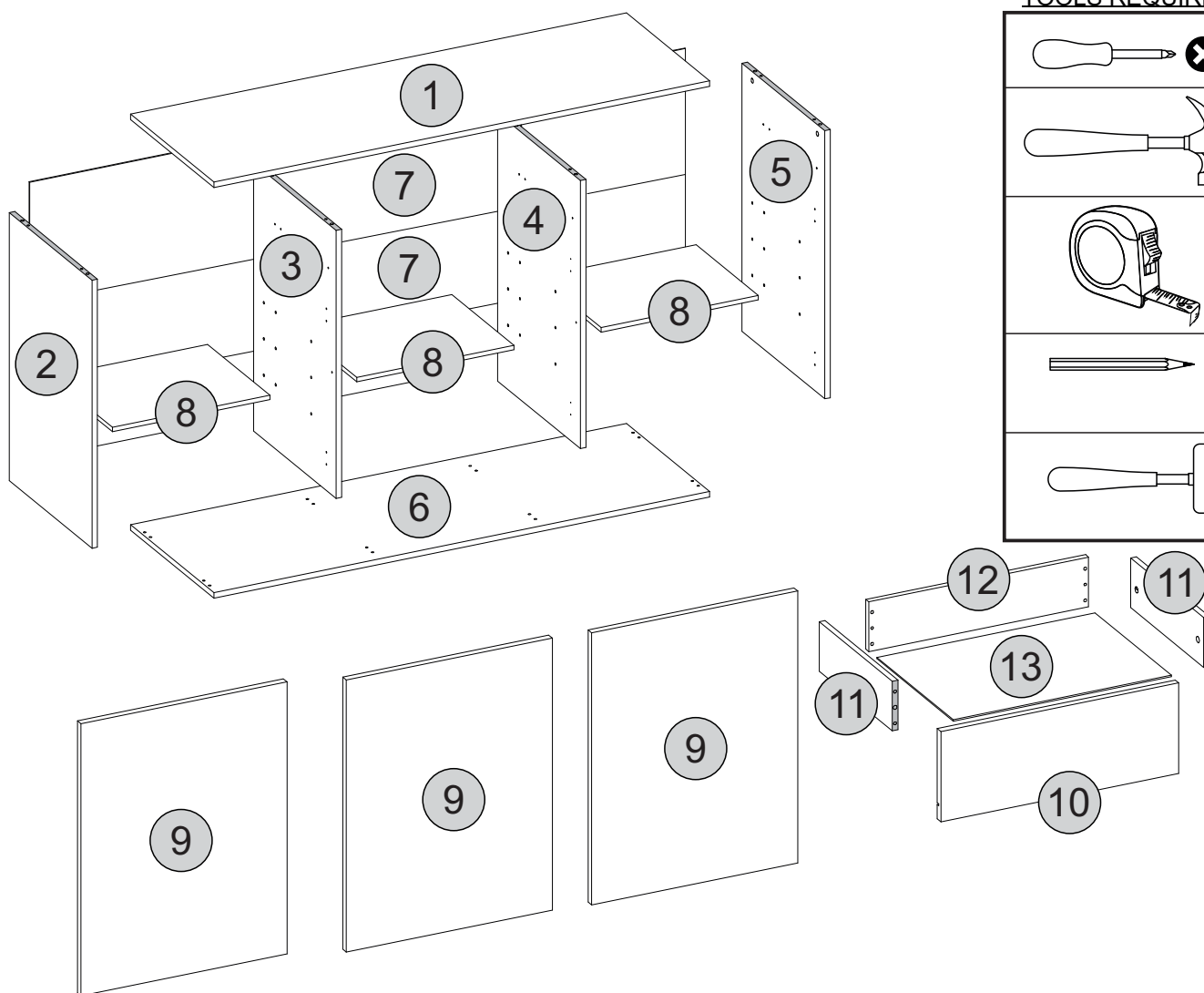
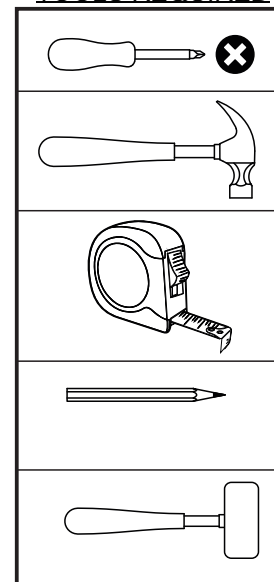


IMPORTANT FOR DOMESTIC USE ONLY PLEASE READ BEFORE YOU CONTINUE FURTHER CARE AND MAINTENANCE

After unpacking this product please keep the original packaging in case it needs to be returned for any reason.

- Please ensure all fittings and parts are present before commencing with assembly.
- Never drag or push products as this could cause damage to the joints making it inferior.
- We strongly recommend that you keep children away from your work area.
- We recommend that you lay a blanket or sheet on the floor to avoid damage to both your floor and the product.
- Assemble this product as close to its final position as possible.
- Do not place this product next to a radiator or in direct sunlight.
- Do not drag or push items across your high gloss furniture as this may cause the surface to scratch
- Wood is a natural product and may expand if subjected to damp and may shrink or crack if subjected to heat. Therefore it is recommended that room temperature is maintained, with no sudden temperature fluctuations.
- Make sure any spillage is wiped off immediately.
- Do not place hot or chilled items directly on to the surface, use a place mat or marking will occur.
- For general cleaning use a soft cotton or micro fibre cloth, and do not use detergents of any kind.
- From time to time it may be necessary to tighten fittings, regular inspections should be carried out.
- Do not place on a wet or damp floor as staining may occur to your floor.

TOOLS REQUIRED



PARTS LIST

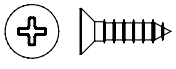
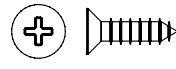
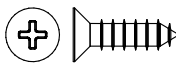

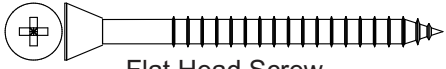
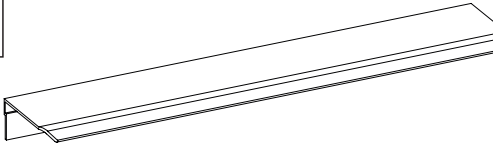
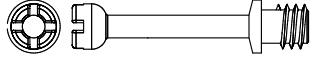
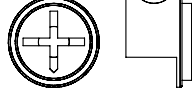

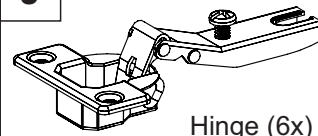
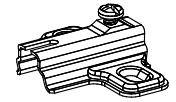
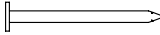
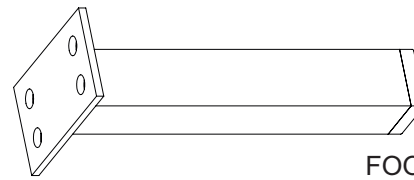

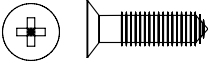
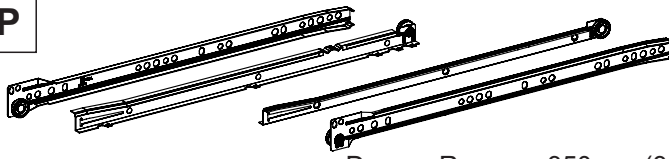
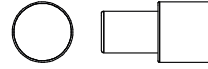
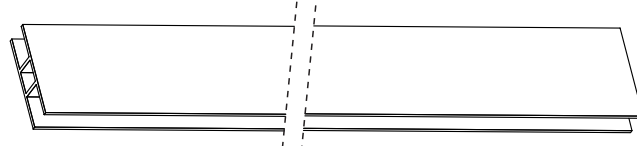

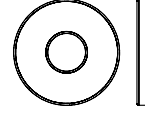

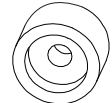
Please Note:

The below parts have all been stamped with the part number to help identify them during assembly.

Part Number	Part Code	Part Description	Quantity	Carton
1	S400-405-039-AL1-01	Top Panel	1	2/2
2	S400-405-039-AL1-02	Left Side Panel	1	2/2
3	S400-405-039-AL1-03	Left Division Panel	1	2/2
4	S400-405-039-AL1-04	Right Division Panel	1	2/2
5	S400-405-039-AL1-05	Right Side Panel	1	2/2
6	S400-405-039-AL1-06	Base Panel	1	2/2
7	S400-405-039-AL1-07	Back Panel	2	2/2
8	S400-405-039-AL1-08	Adjustable Shelf	3	1/2
9	S400-405-039-AL1-09	Door	3	1/2
10	S400-405-039-AL1-10	Drawer Front	3	1/2
11	S400-405-039-AL1-11	Drawer Side	6	1/2
12	S400-405-039-AL1-12	Drawer Back Panel	3	1/2
13	S400-405-039-AL1-13	Drawer Bottom	3	2/2


FITTINGS LIST

SEC/SH/10/21/AL1


<p>A</p>  <p>Flat Head Screw Ø3,0 x 12mm (30x)</p> <p>2/+</p>	<p>B</p>  <p>Flat Head Screw Ø3,5 x 12mm (12x)</p> <p>2/+</p>	<p>C</p>  <p>Flat Head Screw Ø4,0 x 14mm (24x)</p> <p>2/+</p>	<p>D</p>  <p>2/+ Dowel Ø6,0 x 30mm (40x)</p>
<p>E</p>  <p>Flat Head Screw Ø4,0 x 50mm (8x)</p> <p>1/+</p>	<p>F</p>  <p>Handle (6x)</p>		<p>G</p>  <p>2/+ Cam Bolt (20x)</p>
<p>H</p>  <p>Cam Nut (20x)</p> <p>2/+</p>	<p>I</p>  <p>Hole Plugs (56x)</p> <p>2/+</p>	<p>J</p>  <p>Hinge (6x)</p>	<p>K</p>  <p>Hinge Plate (6x)</p>
<p>L</p>  <p>Nail 10 x 10 (62x)</p> <p>2/+</p>	<p>M</p>  <p>FOOT (6x)</p>	<p>N</p>  <p>Glue (2x)</p>	
<p>O</p>  <p>Flat Head Screw Ø4,5 x 16mm (27x)</p> <p>2/+</p>	<p>P</p>  <p>Drawer Runners 350mm (3x)</p>		<p>Q</p>  <p>2/+ Support Pin (18x)</p>
<p>R</p>  <p>Back Panel Strip (1x)</p>		<p>S</p>  <p>Flan Head Screw Ø3,5 x 22mm (2x)</p> <p>1/+</p>	<p>T</p>  <p>1/+ Washer (4x)</p>
<p>U</p>  <p>Strap (2x)</p>	<p>V</p>  <p>1/+ Support Pin (3x)</p>		

TIPS FOR FITTINGS CAM-LOCKS


WHEN FITTING CAM NUT, ENSURE STARTING POSITION IS CORRECT BEFORE YOU INSERT CONNECTING CAM BOLT TURN CLOCKWISE UNTIL SECURE




✓



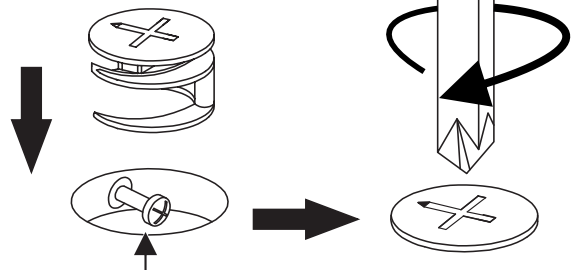
CORRECT



✗



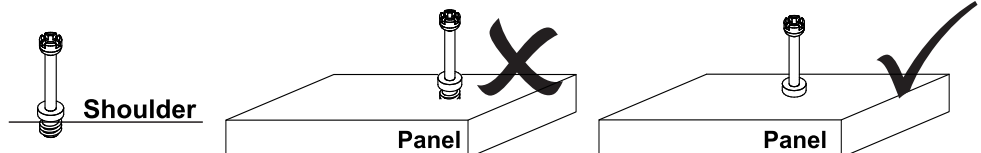
WRONG



Cam bolt head needs to be in centre

CAMBOLT

Tighten until shoulder in flush with panel. Do not overtighten or undertighten (see example beside)

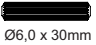



STEP 1

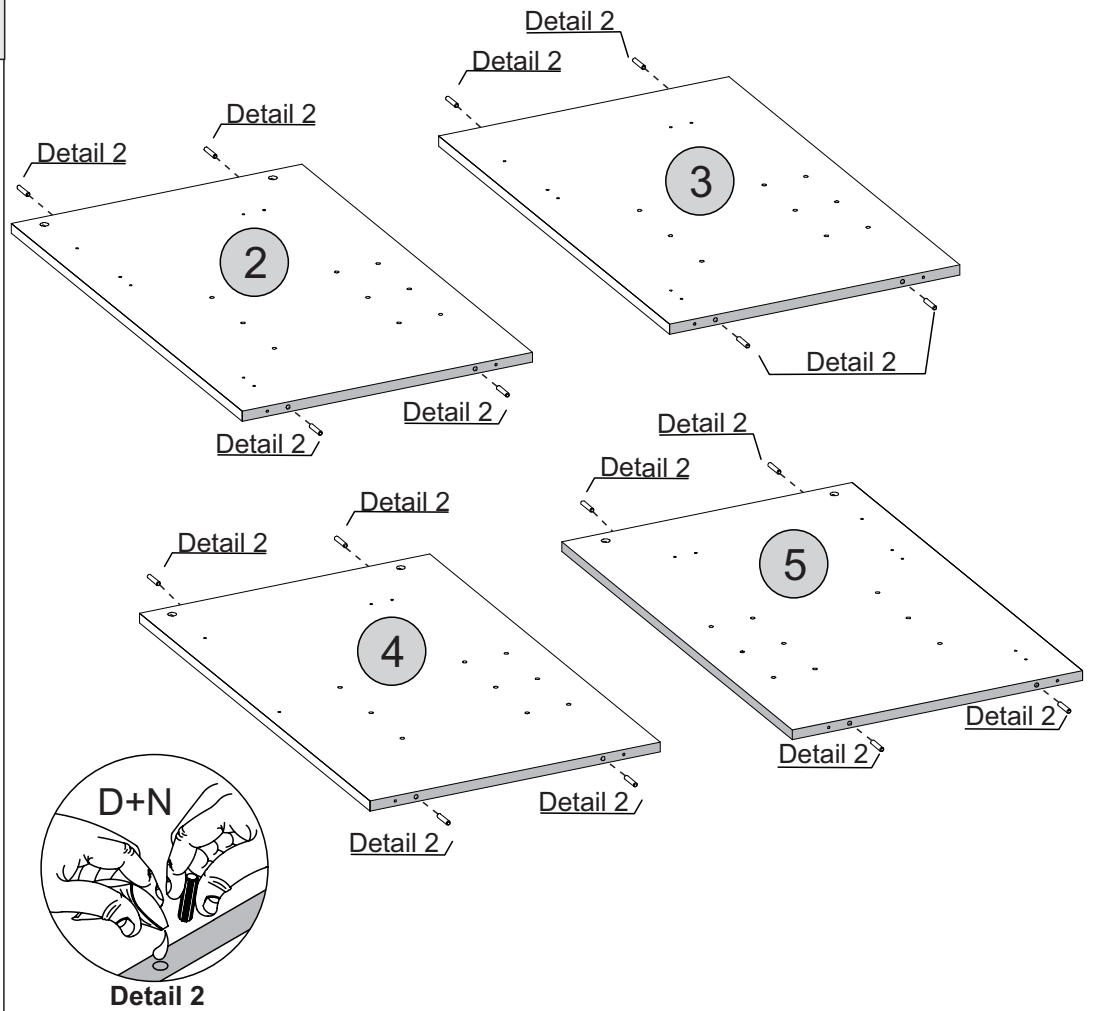
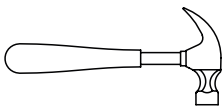
PARTS REQUIRED

2 - LEFT SIDE PANEL	x1
3 - LEFT DIVISION PANEL	x1
4 - RIGHT DIVISION PANEL	x1
5 - RIGHT SIDE PANEL	x1

HARDWARE REQUIRED

D	 Ø6,0 x 30mm	16
N	 Glue	01

TOOLS REQUIRED

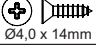



STEP 2

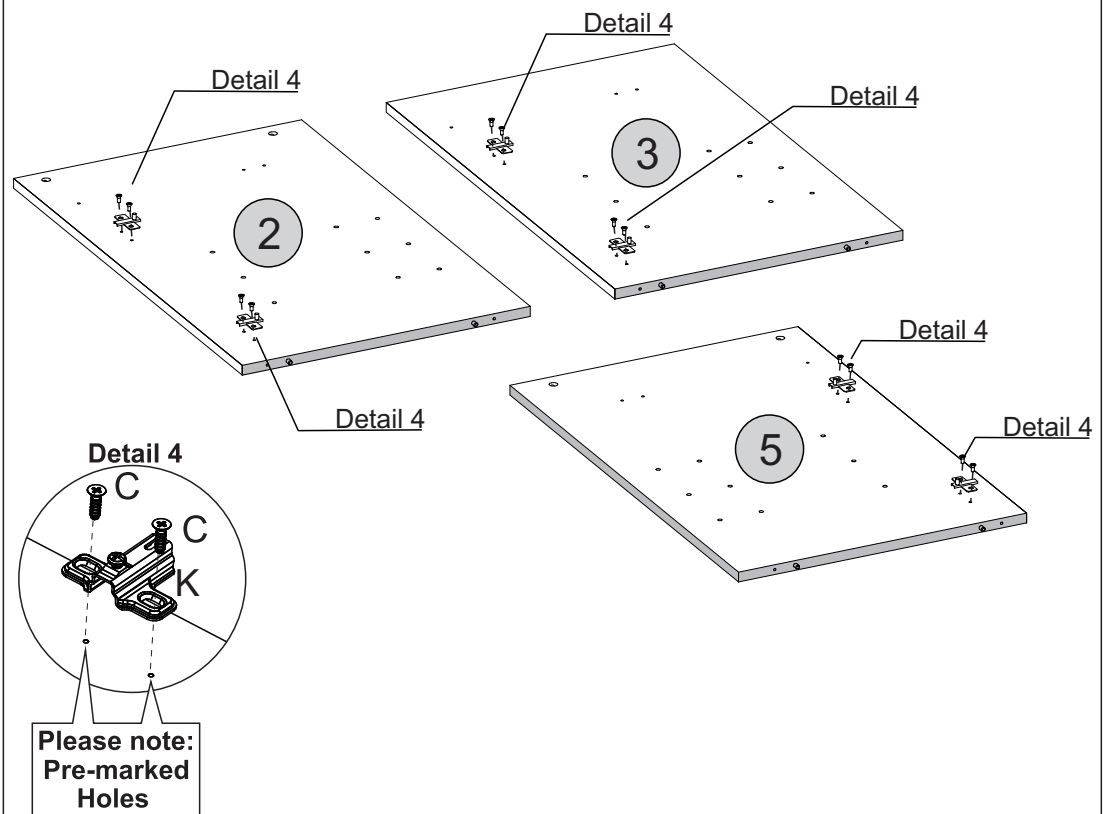
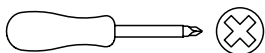
PARTS REQUIRED

2 - LEFT SIDE PANEL	x1
3 - LEFT DIVISION PANEL	x1
5 - RIGHT SIDE PANEL	x1

HARDWARE REQUIRED

C	 Ø4,0 x 14mm	12
K		06

TOOLS REQUIRED

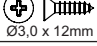
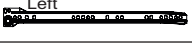
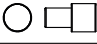


STEP 3

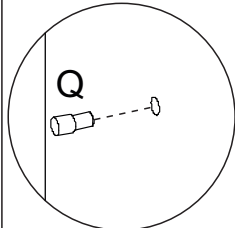
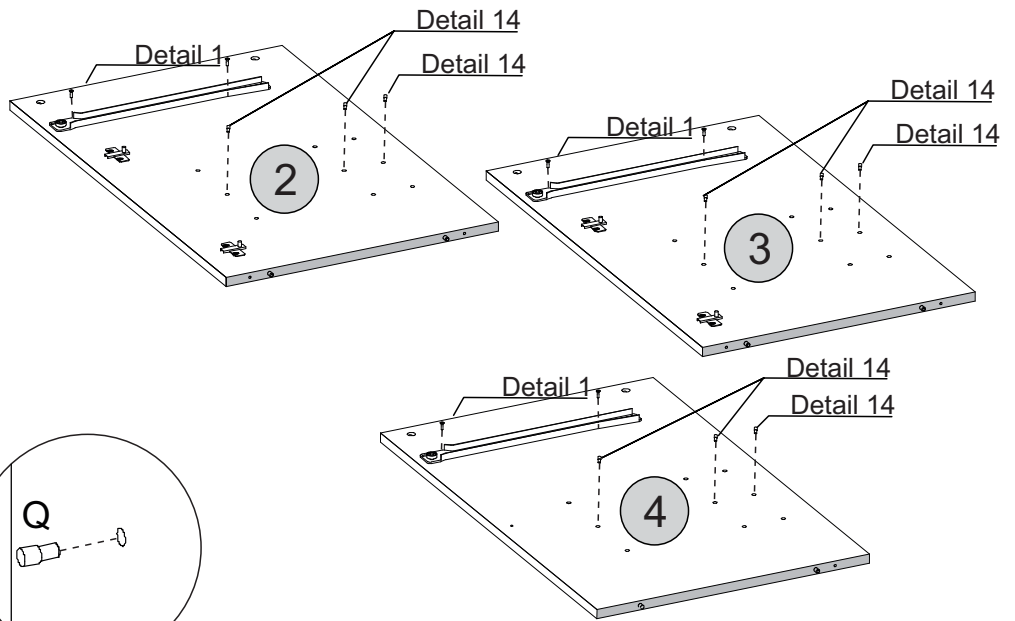
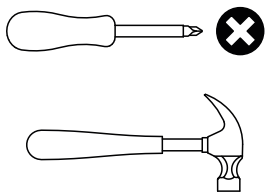
PARTS REQUIRED

2 - LEFT SIDE PANEL	x1
3 - LEFT DIVISION PANEL	x1
4 - RIGHT DIVISION PANEL	x1

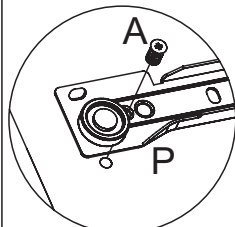
HARDWARE REQUIRED

A	 06 Ø3,0 x 12mm
P	 03 Left
Q	 09

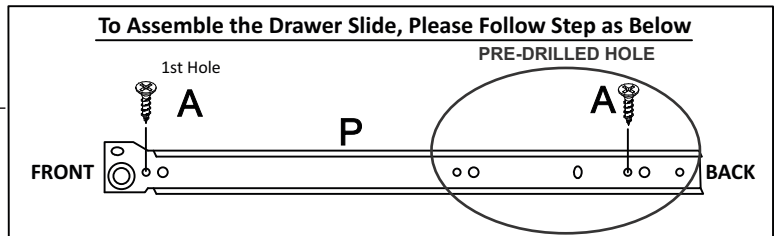
TOOLS REQUIRED



Detail 14



Detail 1

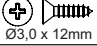
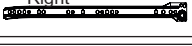
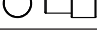


STEP 4

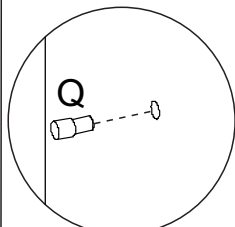
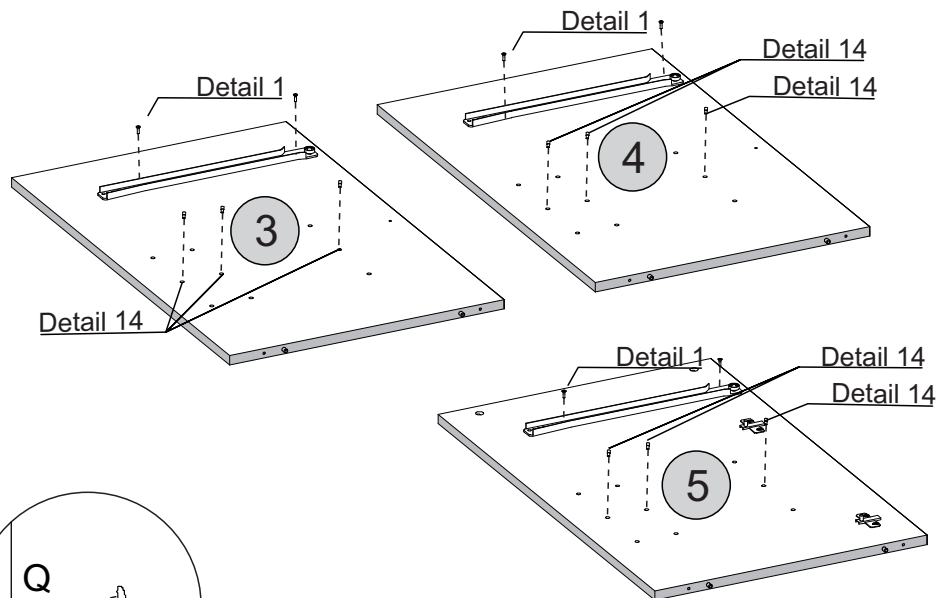
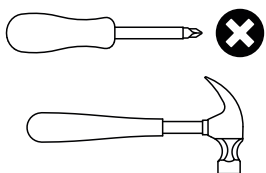
PARTS REQUIRED

3 - LEFT DIVISION PANEL	x1
4 - RIGHT DIVISION PANEL	x1
5 - RIGHT SIDE PANEL	x1

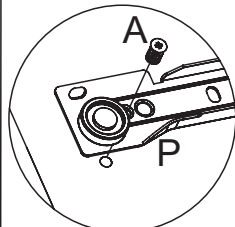
HARDWARE REQUIRED

A	 06 Ø3,0 x 12mm
P	 03 Right
Q	 09

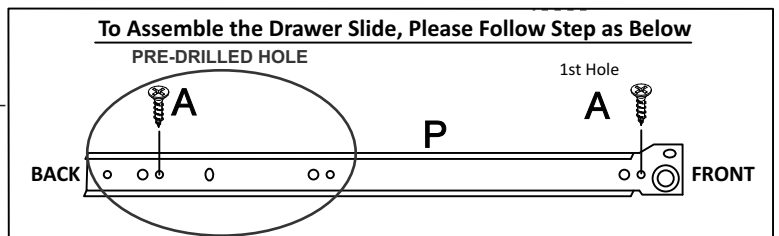
TOOLS REQUIRED



Detail 14



Detail 1

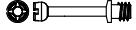


STEP 5

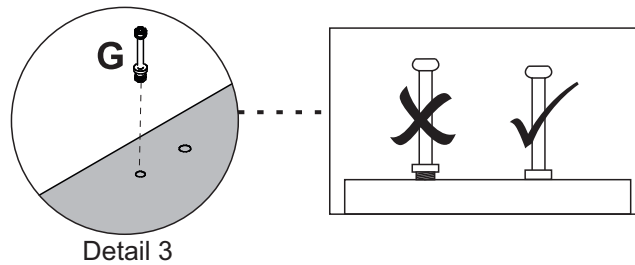
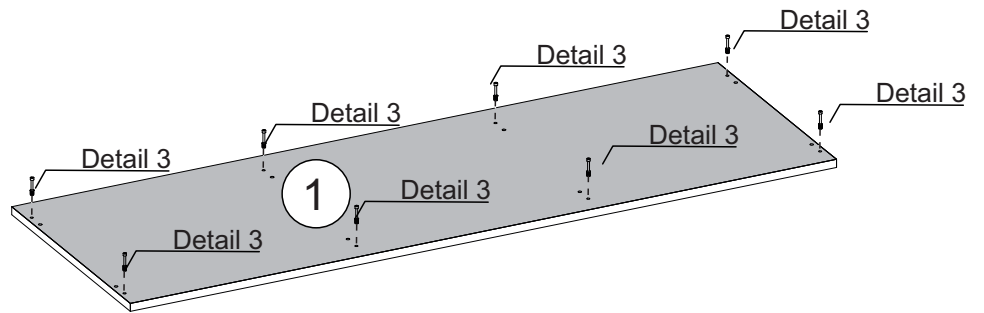
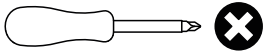
PARTS REQUIRED

1- TOP PANEL x1

HARDWARE REQUIRED

G  08

TOOLS REQUIRED




STEP 6

PARTS REQUIRED

1- TOP PANEL x1

2- LEFT SIDE PANEL x1

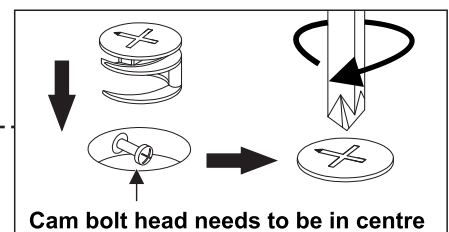
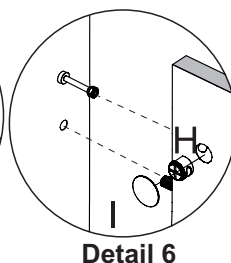
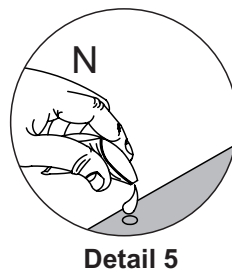
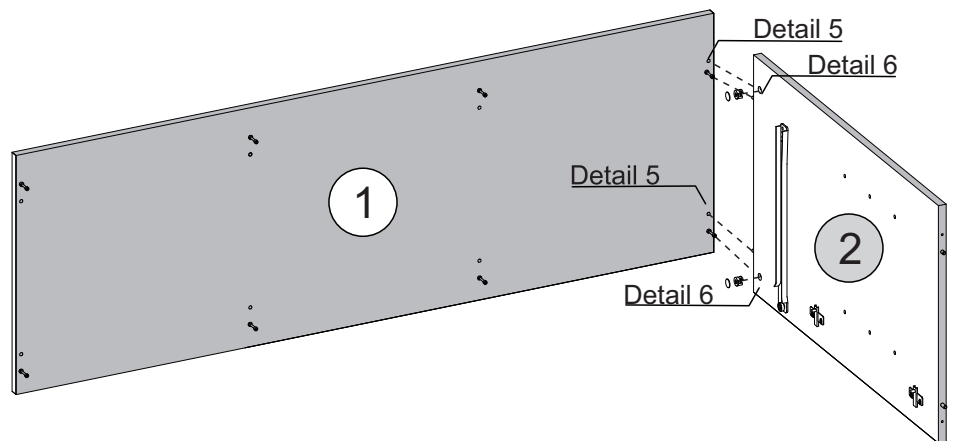
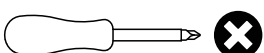
HARDWARE REQUIRED

H  02

I  02

N  01

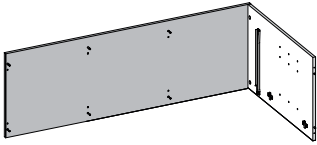
TOOLS REQUIRED



STEP 7

PARTS REQUIRED

3 - LEFT DIVISION PANEL x1



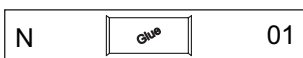
HARDWARE REQUIRED



02

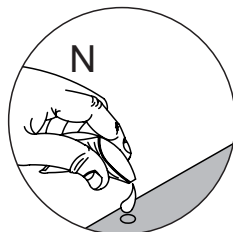
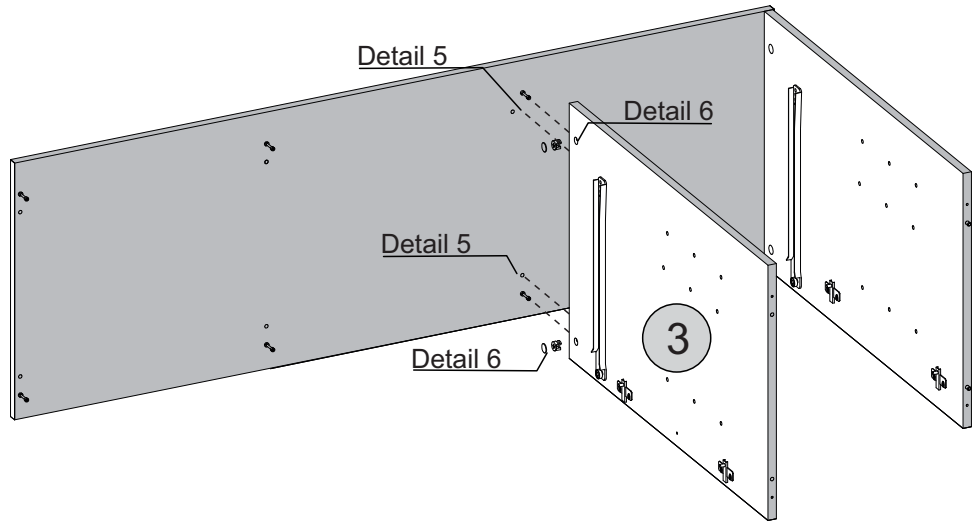
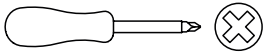


02

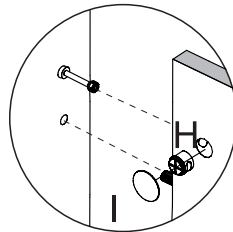


01

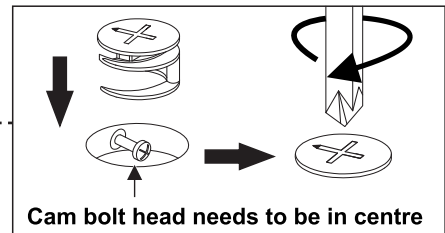
TOOLS REQUIRED



Detail 5



Detail 6

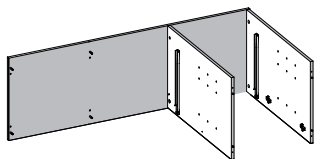


Cam bolt head needs to be in centre

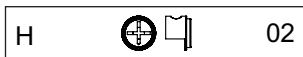
STEP 8

PARTS REQUIRED

4 - RIGHT DIVISION PANEL x1



HARDWARE REQUIRED



02

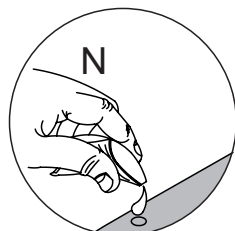
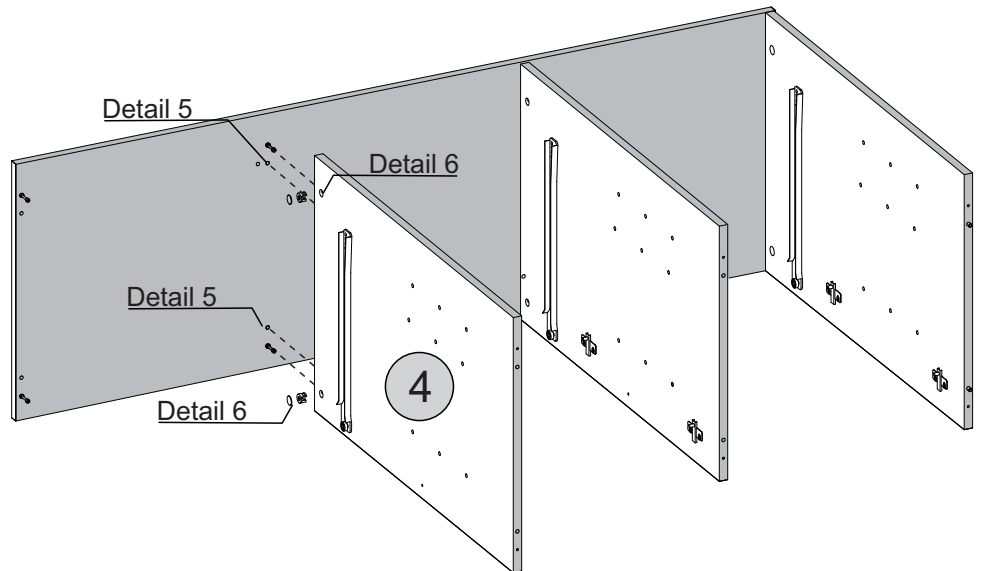
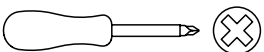


02

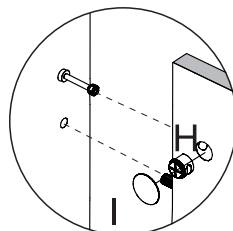


01

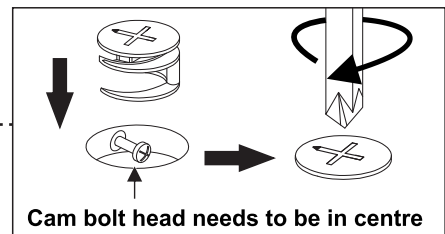
TOOLS REQUIRED



Detail 5



Detail 6

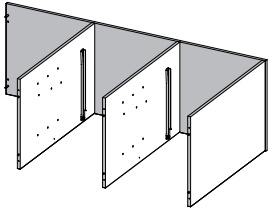


Cam bolt head needs to be in centre

STEP 9

PARTS REQUIRED

5- RIGHT SIDE PANEL x1



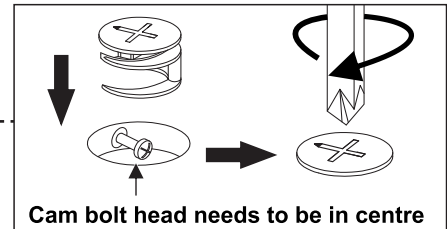
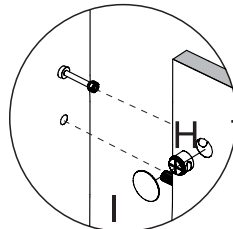
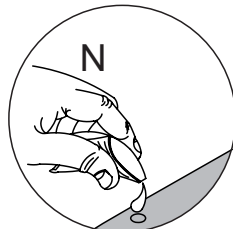
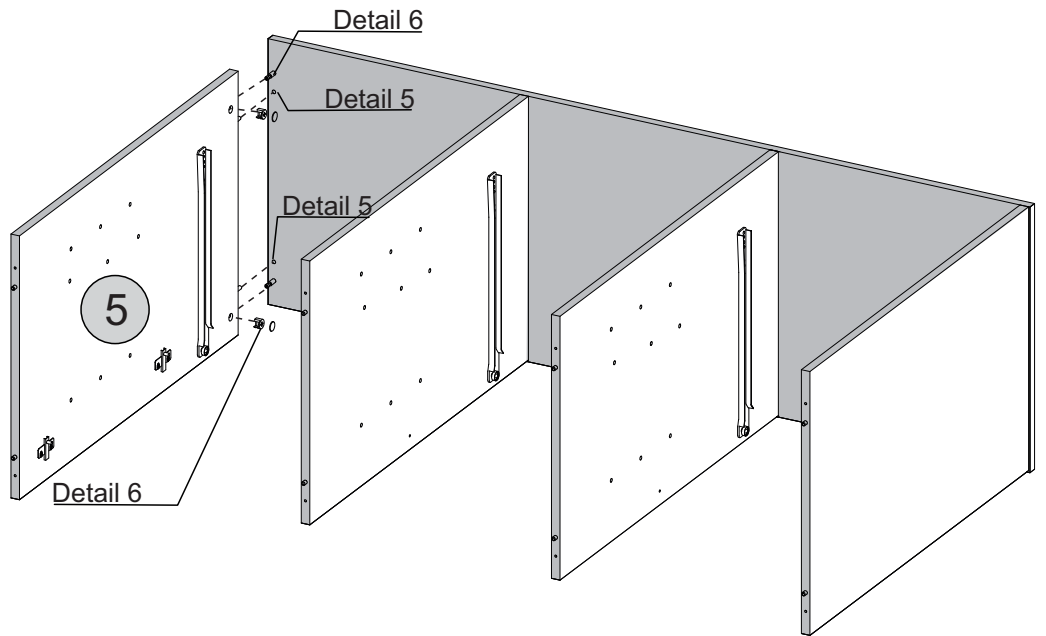
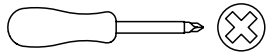
HARDWARE REQUIRED

H  02

I  02

N  01

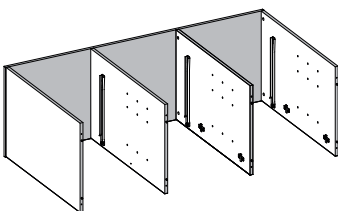
TOOLS REQUIRED



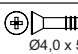
STEP 10

PARTS REQUIRED

6- BASE PANEL x1

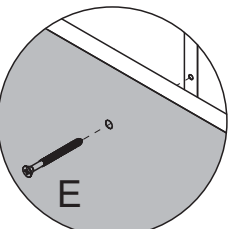
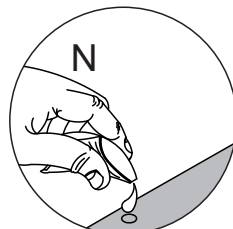
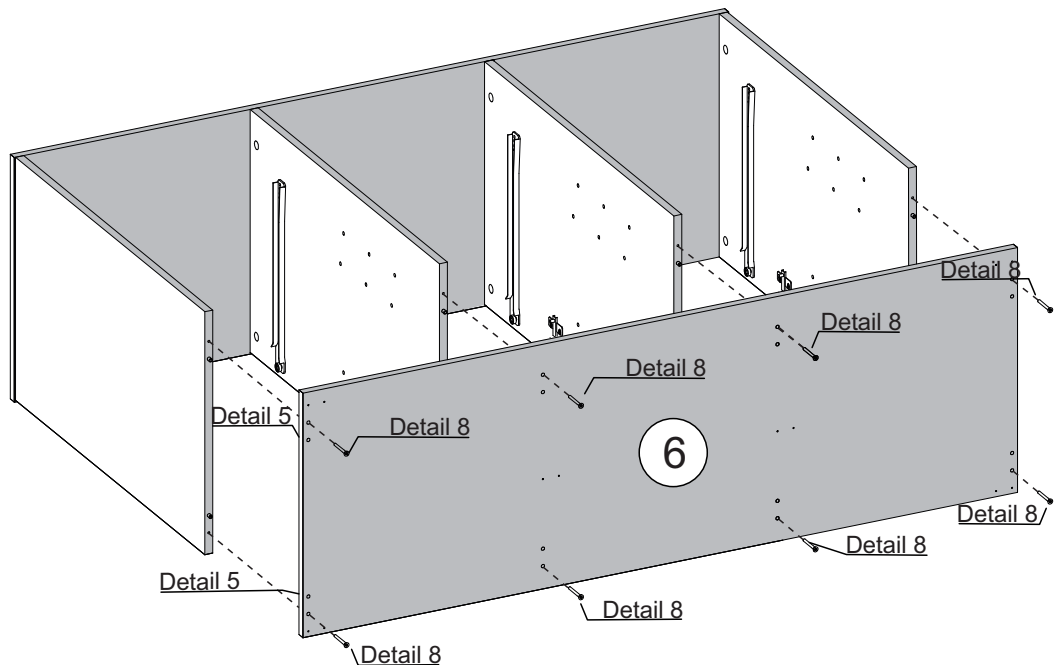
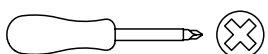


HARDWARE REQUIRED

E  Ø4,0 x 50mm 08

N  01

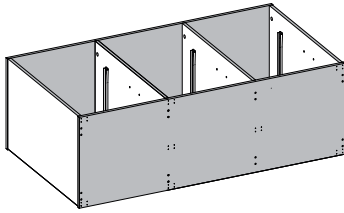
TOOLS REQUIRED



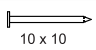
STEP 11

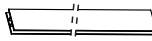
PARTS REQUIRED

7 - BACK PANEL x2

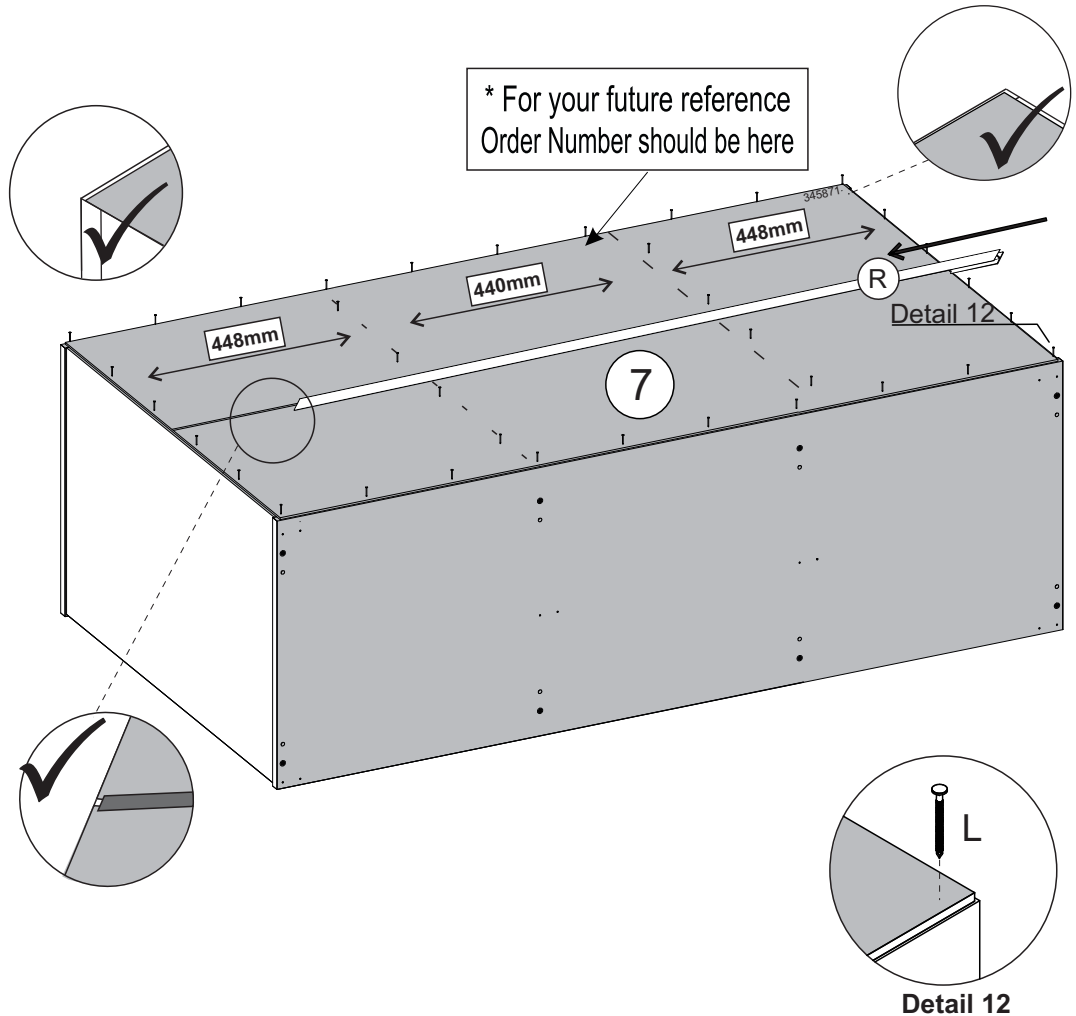
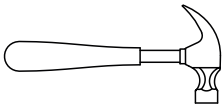


HARDWARE REQUIRED

L  38
10 x 10

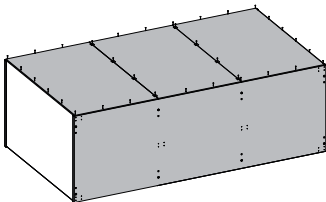
R  01

TOOLS REQUIRED



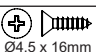
STEP 12

PARTS REQUIRED

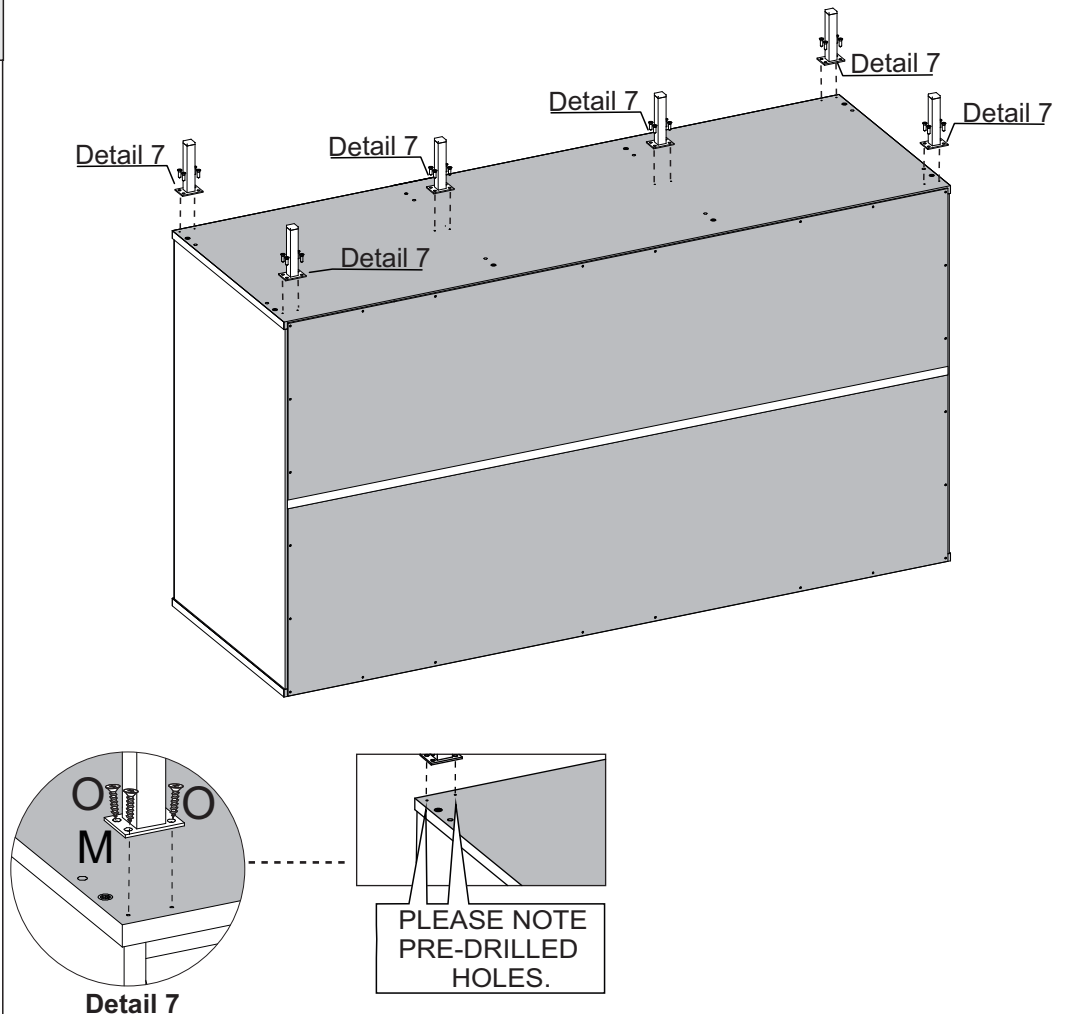
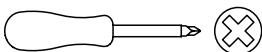


HARDWARE REQUIRED

M  06

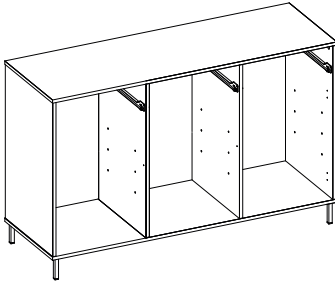
O  24
Ø4,5 x 16mm

TOOLS REQUIRED

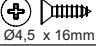



STEP 13

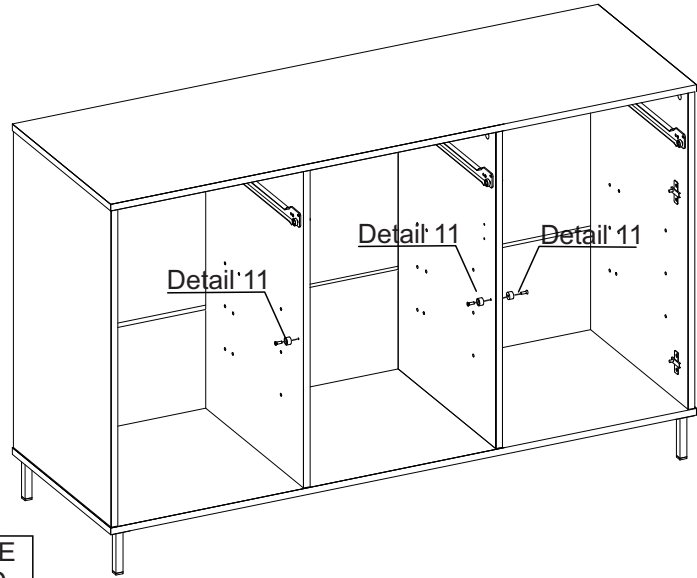
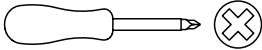
PARTS REQUIRED



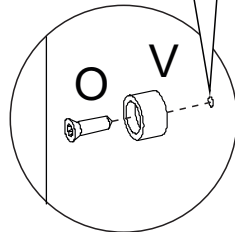
HARDWARE REQUIRED

O		03
V		03

TOOLS REQUIRED



PLEASE NOTE
PRE-DRILLED
HOLES.

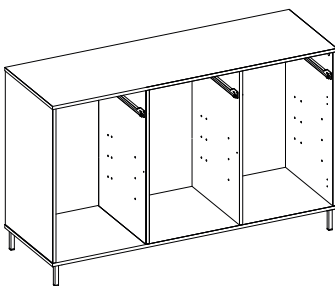


Detail 11

STEP 14

PARTS REQUIRED

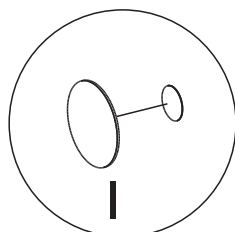
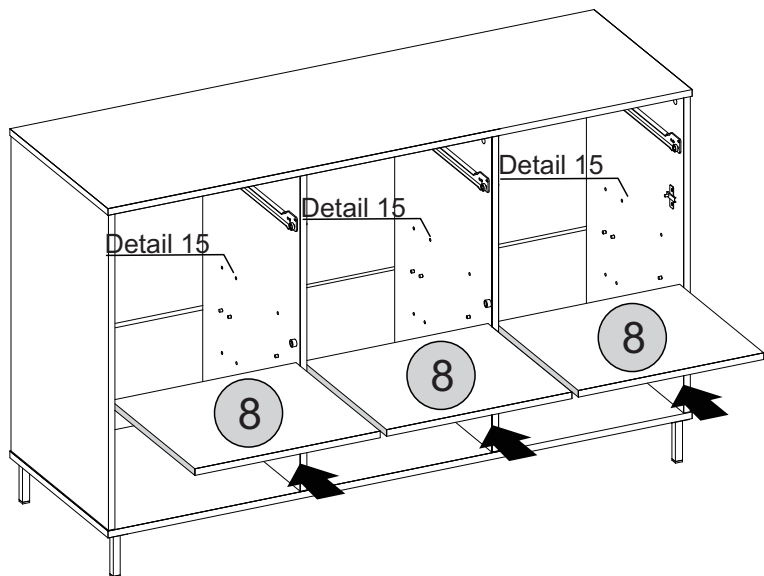
8- ADJUSTABLE SHELF	x3
---------------------	----



HARDWARE REQUIRED

I		36
---	-------------------------------------------------------------------------------------	----

TOOLS REQUIRED



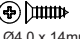
Detail 15

STEP 15

PARTS REQUIRED

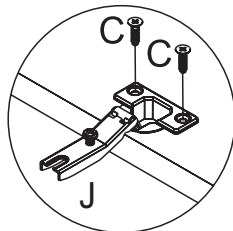
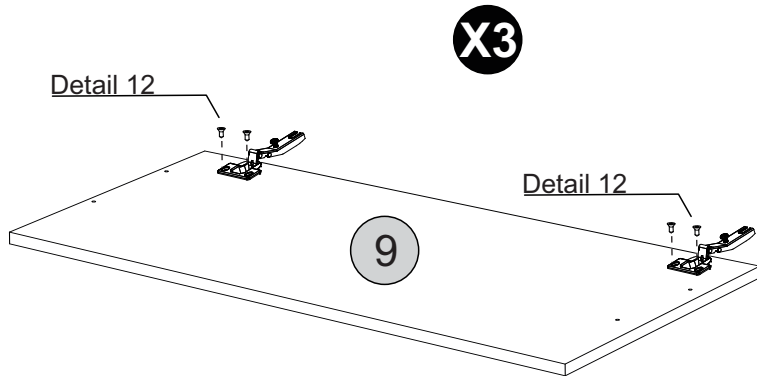
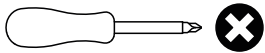
9 - DOOR x3

HARDWARE REQUIRED

C  12
Ø4,0 x 14mm

J  06

TOOLS REQUIRED

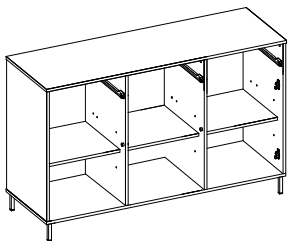


Detail 12


STEP 16

PARTS REQUIRED

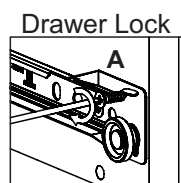
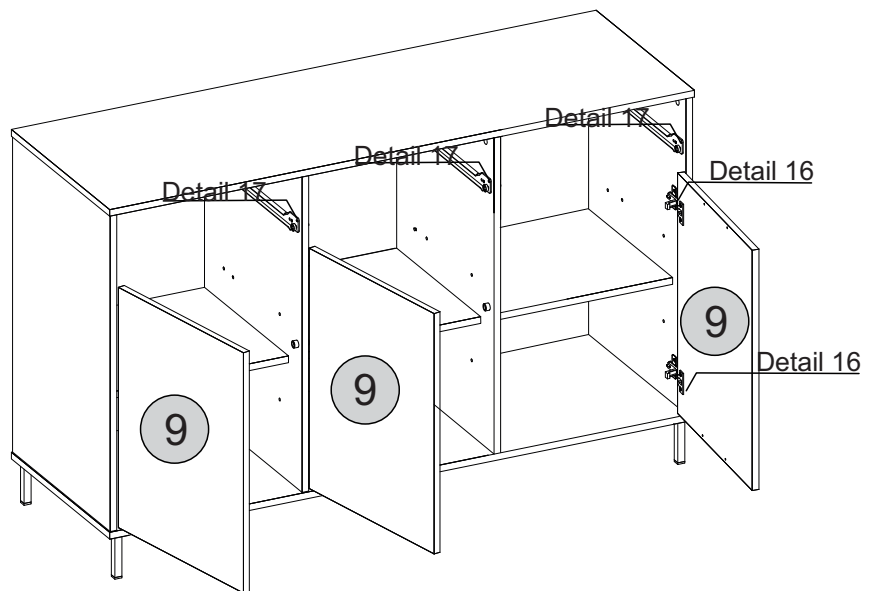
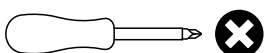
9 - DOOR x3



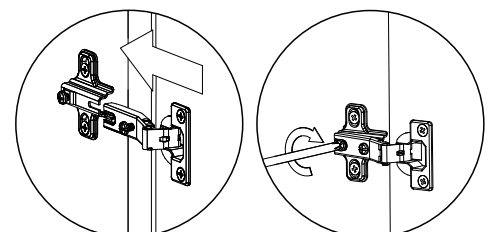
HARDWARE REQUIRED

A  06
Ø3,0 x 12mm

TOOLS REQUIRED



Detail 17




Detail 16

STEP 17

PARTS REQUIRED

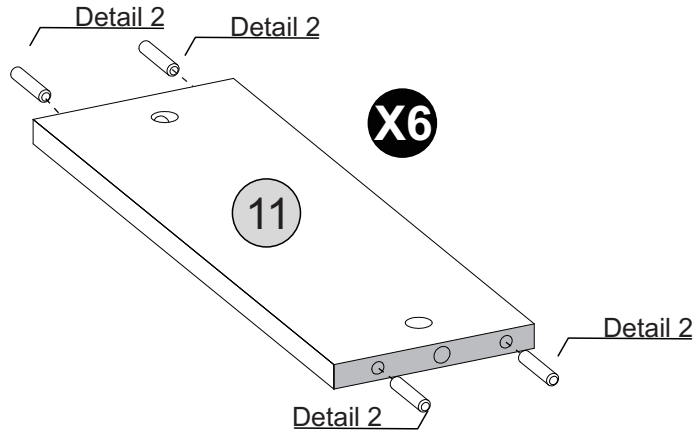
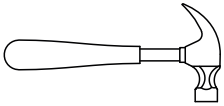
11- DRAWER SIDE x6

HARDWARE REQUIRED

D  24
Ø6,0 x 30mm

N  01

TOOLS REQUIRED

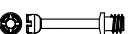


STEP 18

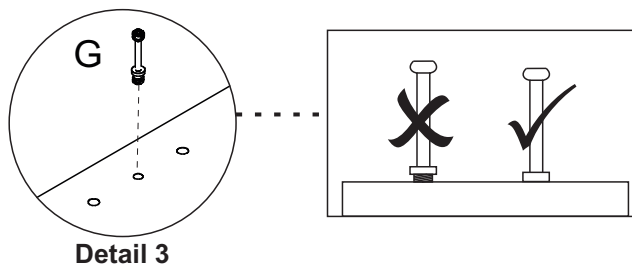
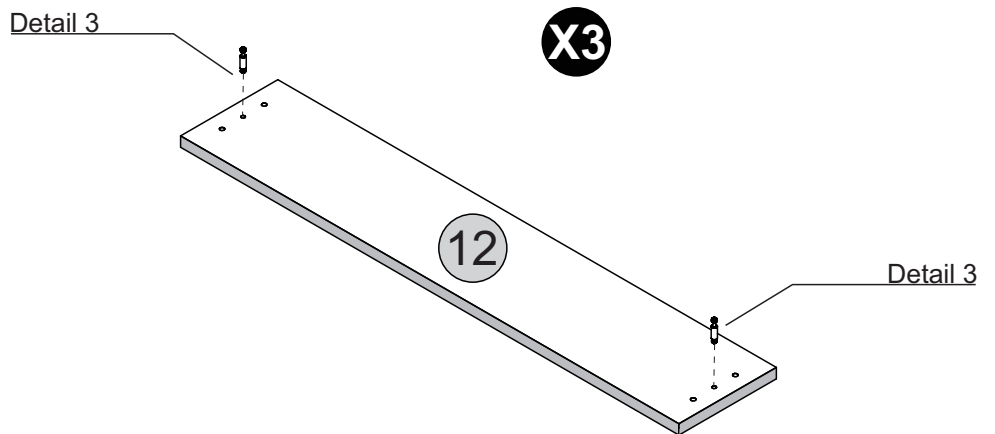
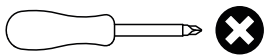
PARTS REQUIRED

12 - DRAWER BACK PANEL x3

HARDWARE REQUIRED

G  06

TOOLS REQUIRED




STEP 19

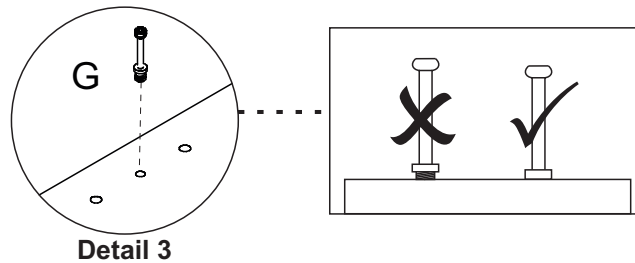
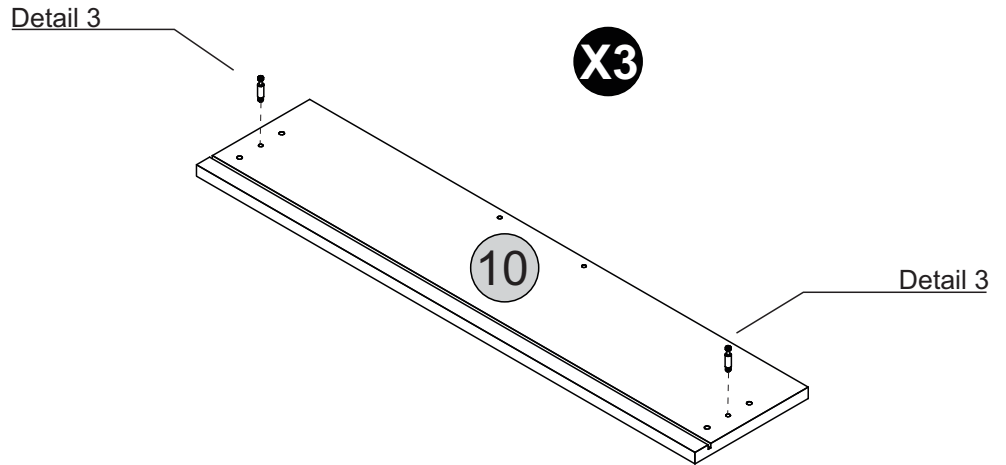
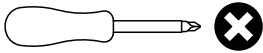
PARTS REQUIRED

10- DRAWER FRONT x3

HARDWARE REQUIRED

G  06

TOOLS REQUIRED



STEP 20

PARTS REQUIRED

11 - DRAWER SIDE x6

12 - DRAWER BACK PANEL x3

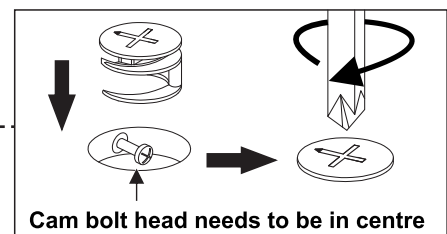
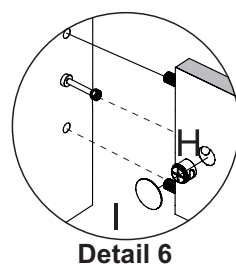
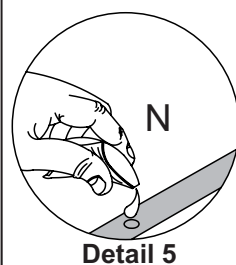
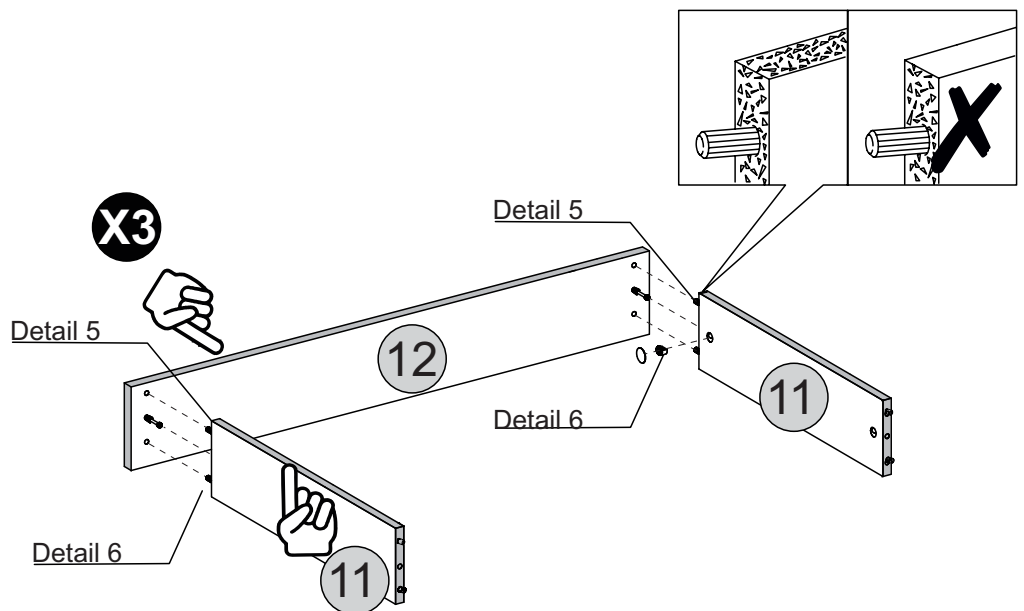
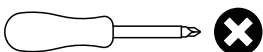
HARDWARE REQUIRED

H  06

I  06

N  01

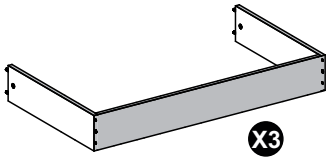
TOOLS REQUIRED



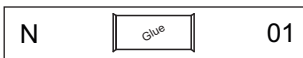
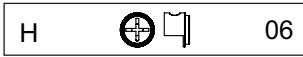
STEP 21

PARTS REQUIRED

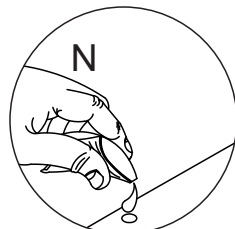
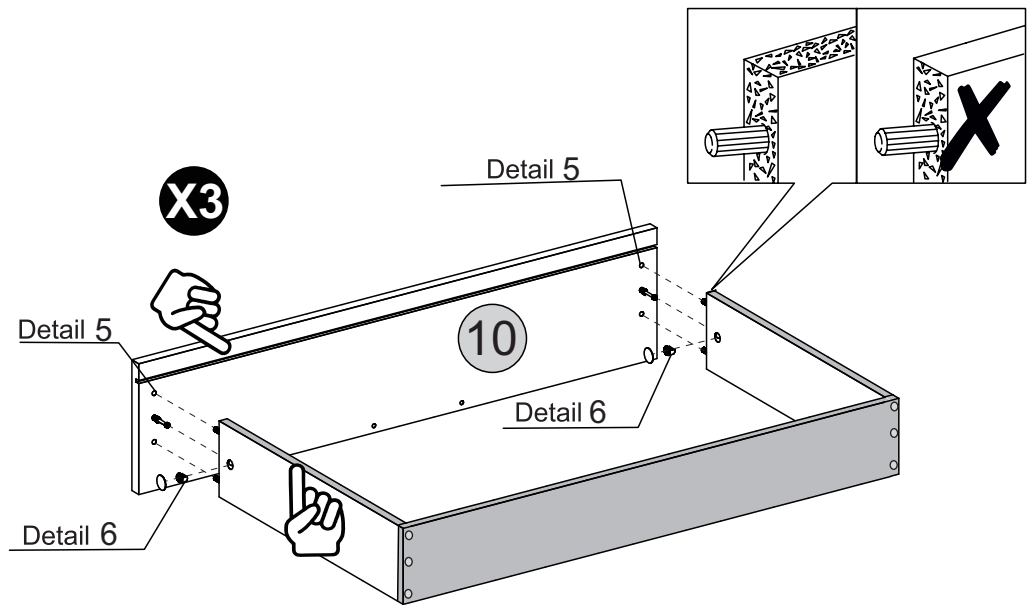
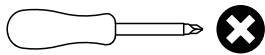
10 - DRAWER FRONT x3



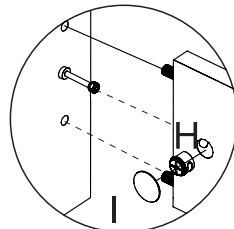
HARDWARE REQUIRED



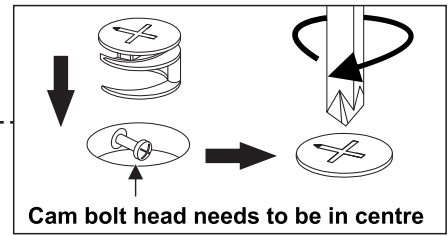
TOOLS REQUIRED



Detail 5



Detail 6

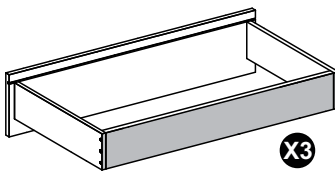


Cam bolt head needs to be in centre

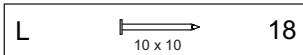
STEP 22

PARTS REQUIRED

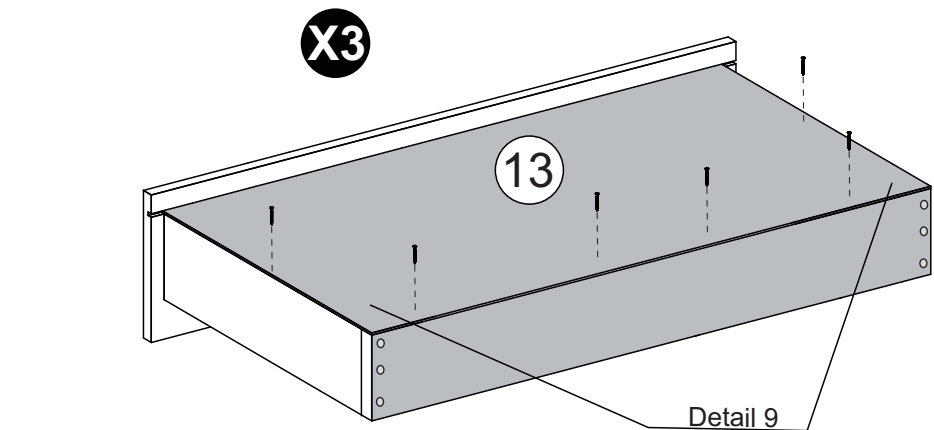
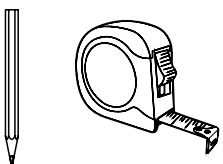
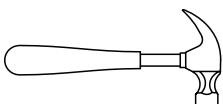
13 - DRAWER BOTTOM x3



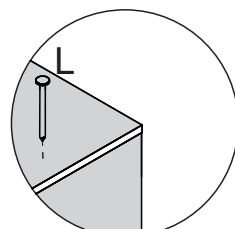
HARDWARE REQUIRED



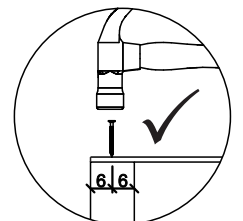
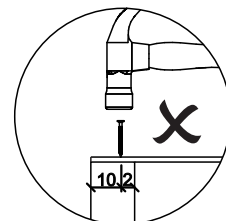
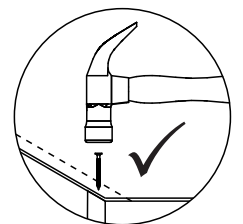
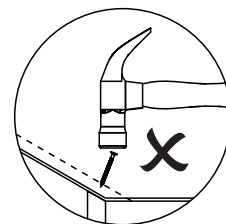
TOOLS REQUIRED



Detail 9

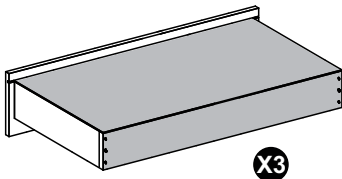


Detail 9

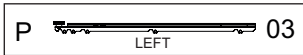
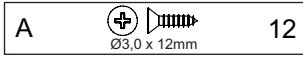


STEP 23

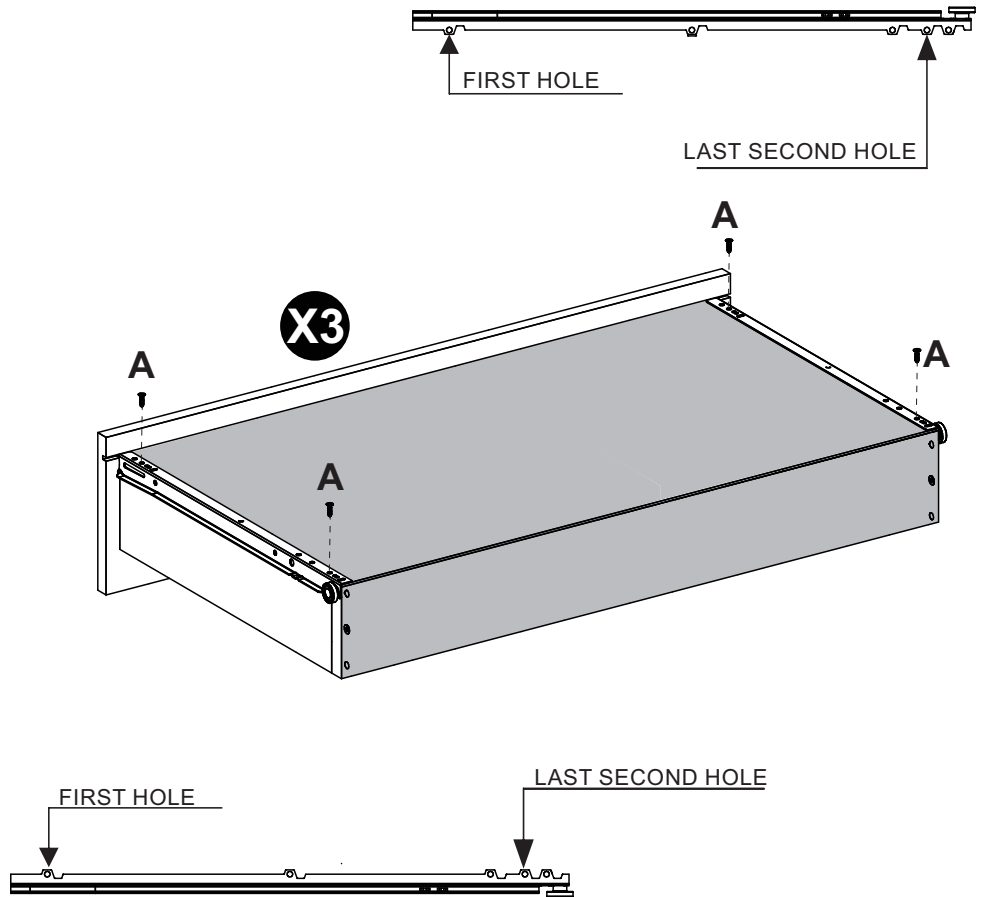
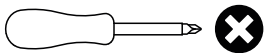
PARTS REQUIRED



HARDWARE REQUIRED

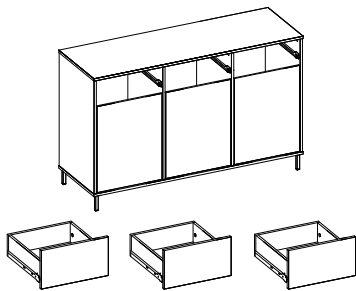


TOOLS REQUIRED

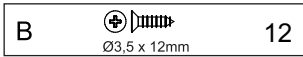


STEP 24

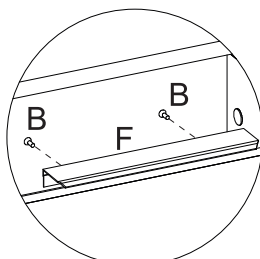
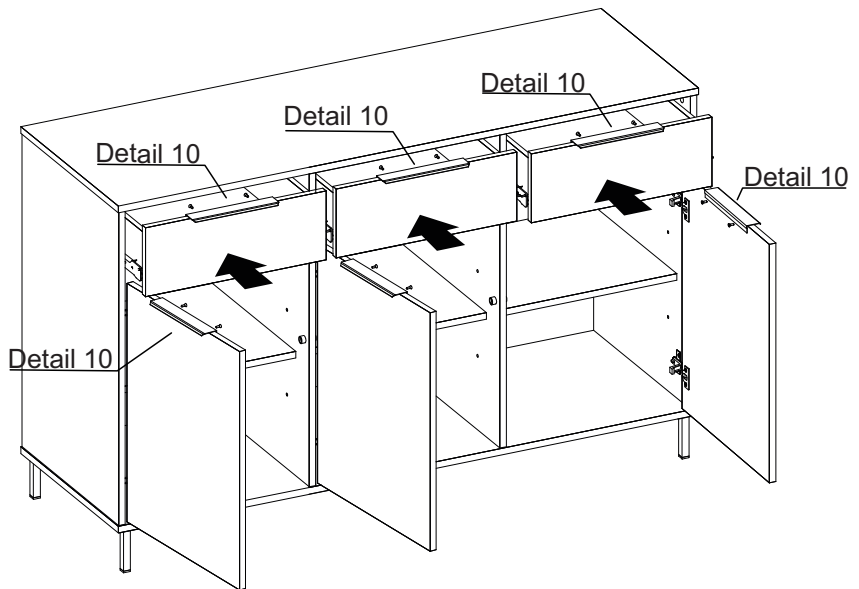
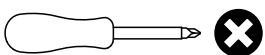
PARTS REQUIRED



HARDWARE REQUIRED



TOOLS REQUIRED

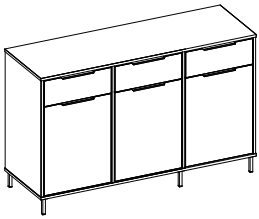


Detail 10

TIP
If desired, after assembly use an alcohol cleaner to erase the number printed on the parts.

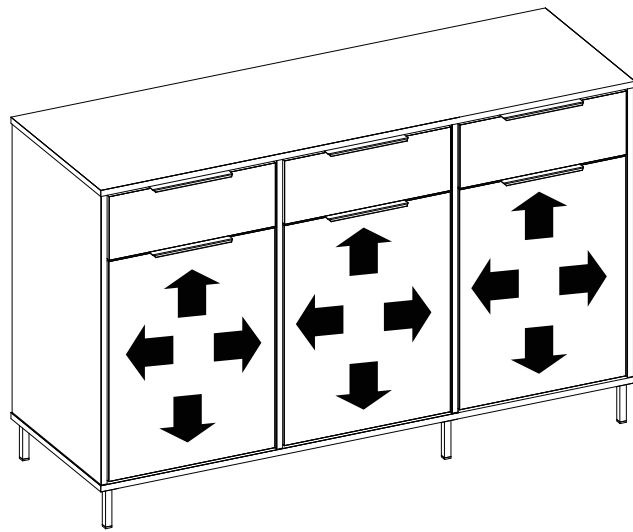
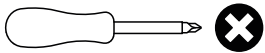
STEP 25

PARTS REQUIRED

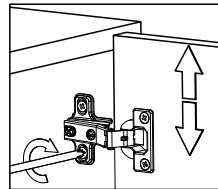


HARDWARE REQUIRED

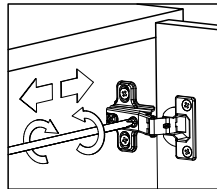
TOOLS REQUIRED



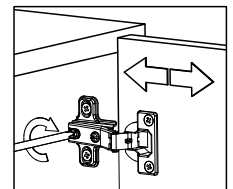
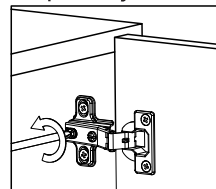
Height Adjustment



Internal Adjustment



Depth Adjustment



WARNING

Serious or fatal injuries can occur from furniture tipping over. To prevent the furniture from tipping over we recommend that it is permanently fixed to the wall.

Wall fixings are not supplied with this product as different wall materials require different types of fixing devices.

Please make sure you use fixings suitable for the walls in your home.

	<p>S Flan Head Screw Ø3,5 x 22mm (2x)</p>
	<p>T Washer (4x)</p>
	<p>U Strap (2x)</p>

