

# NORDIC SIDEBOARD ASSEMBLY INTRUCTIONS



**FOR DOMESTIC USE ONLY  
IMPORTANT**

**PLEASE READ BEFORE YOU CONTINUE FURTHER**

THE PRODUCT YOU HAVE PURCHASED WILL GIVE YOU MANY YEARS OF SERVICE IF YOU FOLLOW THE GUIDELINES FOR ITS SAFE ASSEMBLY AND PERIODIC MAINTENANCE AND CLEANING.

ASSEMBLE ON A SOFT CLEAN SURFACE.

DO NOT USE ANY TOOLS OTHER THAN THOSE SHOWN.

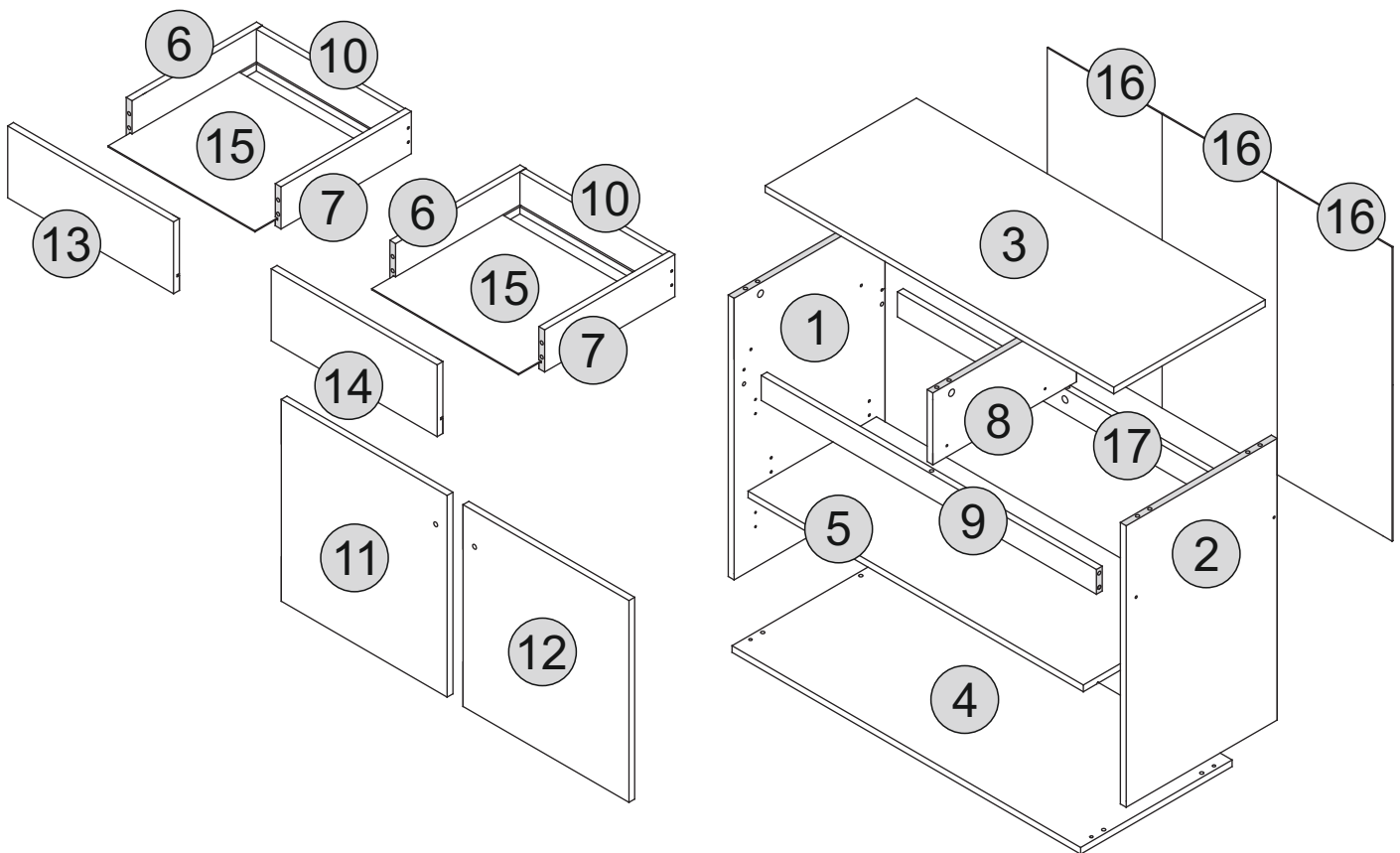
ANY SPANNERS OR ALLEN KEYS REQUIRED ARE INCLUDED WITH THE FITTING KIT.

DO NOT FOR ANY REASON USE A POWER TOOL TO ASSEMBLE THIS PRODUCT. ITS USE WILL INVALIDATE ANY CLAIM YOU MAY HAVE AND COULD MAKE THIS PRODUCT UNSAFE.

DEPENDING ON THE AMOUNT OF USE THIS PRODUCT RECEIVES, IT MAY BE NECESSARY TO TIGHTEN UP THE FIXINGS FROM TIME TO TIME. THIS IS COMPLETELY NORMAL FOR ANY FLAT PACK FURNITURE. DO NOT OVERTIGHTEN FIXINGS.

FOR CLEANING, YOU MAY USE A DAMP CLOTH (NOT WET). DO NOT USE POLISH, DETERGENT OR CHEMICAL CLEANERS.

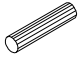
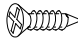
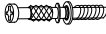

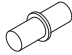
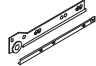
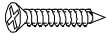
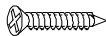
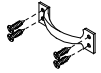







THE SURFACE OF THIS ITEM IS NOT HEAT RESISTANT. ALWAYS USE A PLACE MAT UNDER HOT OR COLD ITEMS TO PREVENT MARKING.



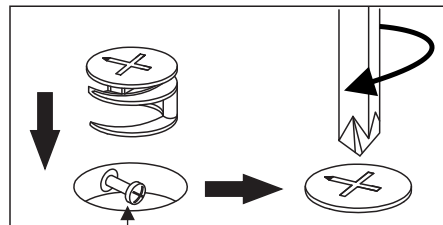
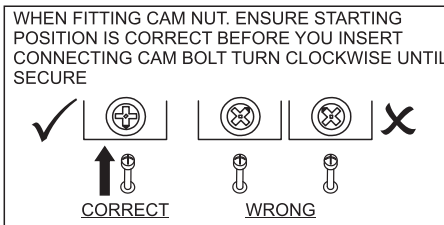
## PART LIST

Part Number	Part Code	Part Description	Quantity	Carton
1	S400-405-040-ZF1-01	Left Side Panel	1	1/1
2	S400-405-040-ZF1-02	Right Side Panel	1	1/1
3	S400-405-040-ZF1-03	Top Panel	1	1/1
4	S400-405-040-ZF1-04	Bottom Panel	1	1/1
5	S400-405-040-ZF1-05	Shelf Panel	1	1/1
6	S400-405-040-ZF1-06	Right Drawer Side Panel	2	1/1
7	S400-405-040-ZF1-07	Left Drawer Side Panel	2	1/1
8	S400-405-040-ZF1-08	Centre Panel	1	1/1
9	S400-405-040-ZF1-09	Front Support Panel	1	1/1
10	S400-405-040-ZF1-10	Drawer Back Panel	2	1/1
11	S400-405-040-ZF1-11	Left Door	1	1/1
12	S400-405-040-ZF1-12	Right Door	1	1/1
13	S400-405-040-ZF1-13	Left Drawer Front	1	1/1
14	S400-405-040-ZF1-14	Right Drawer Front	1	1/1
15	S400-405-040-ZF1-15	Drawer Base	2	1/1
16	S400-405-040-ZF1-16	Back Panel	3	1/1
17	S400-405-040-ZF1-17	Back Support Panel	1	1/1

# HARDWARE LIST

No.	Part Name		Qty	Carton
A	8x25mm Wooden Dowel		x18	1/1
B	3.5x14mm Screw		x51	1/1
C	Minifix Cam Bolt (8032t)		x12	1/1
D	Minifix Cam Nut (1510)		x12	1/1
E	Iron Shelf Support		x4	1/1
F	14" Drawer Slide (0.9-w)		x2	1/1
G	4x45mm Screw		x8	1/1
H	4x38mm Screw		x8	1/1
I	Handle+Screw <small>L-3510 (3x16mm=4pcs)</small>		x1	1/1
J	Handle+Screw <small>Y-8238 (3x16mm=2pcs)</small>		x1	1/1
K	Handle+Screw (4x22=2pcs)		x2	1/1
L	Wood Leg + Plastic Foot		x4	1/1
M	Nail		x30	1/1
N	Hinges (M11)		x4	1/1
O	Wall Fixings (4x20mm=1pc)		x1	1/1
P	Screw Cover (CB-White)		x4	1/1

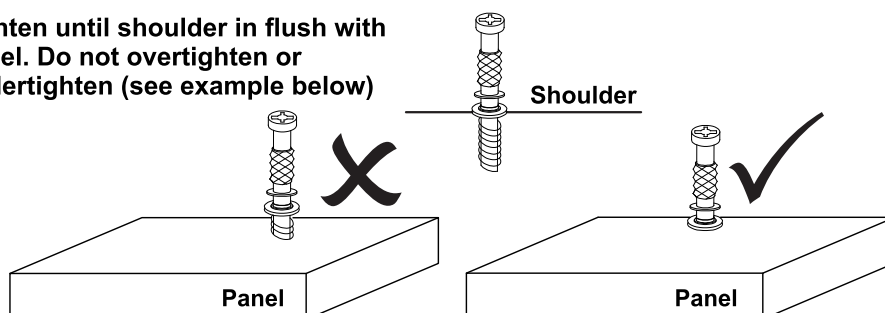
## TIPS FOR FITTINGS CAM-LOCKS



Cam bolt head needs to be in centre

### CAMBOLT

Tighten until shoulder in flush with panel. Do not overtighten or undertighten (see example below)

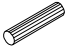




# STEP 1

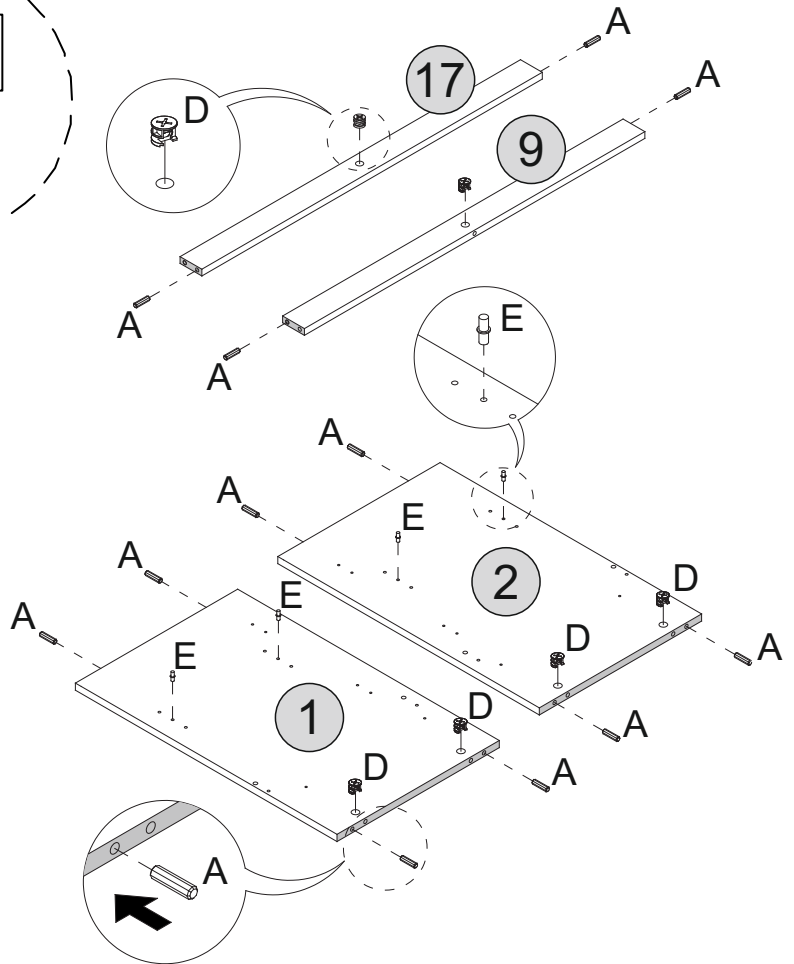
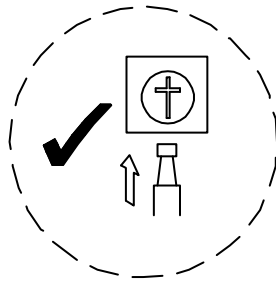
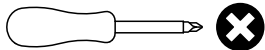
## PARTS REQUIRED

1 - LEFT SIDE PANEL	x1
2 - RIGHT SIDE PANEL	x1
9 - FRONT SUPPORT PANEL	x1
17 - BACK SUPPORT PANEL	x1

## HARDWARE REQUIRED

A		12
D		06
E		04

## TOOLS REQUIRED

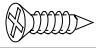



# STEP 2

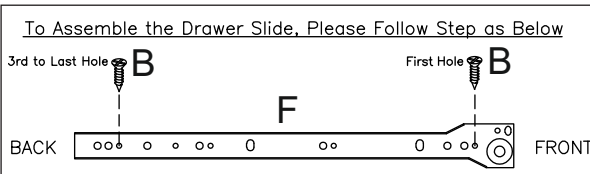
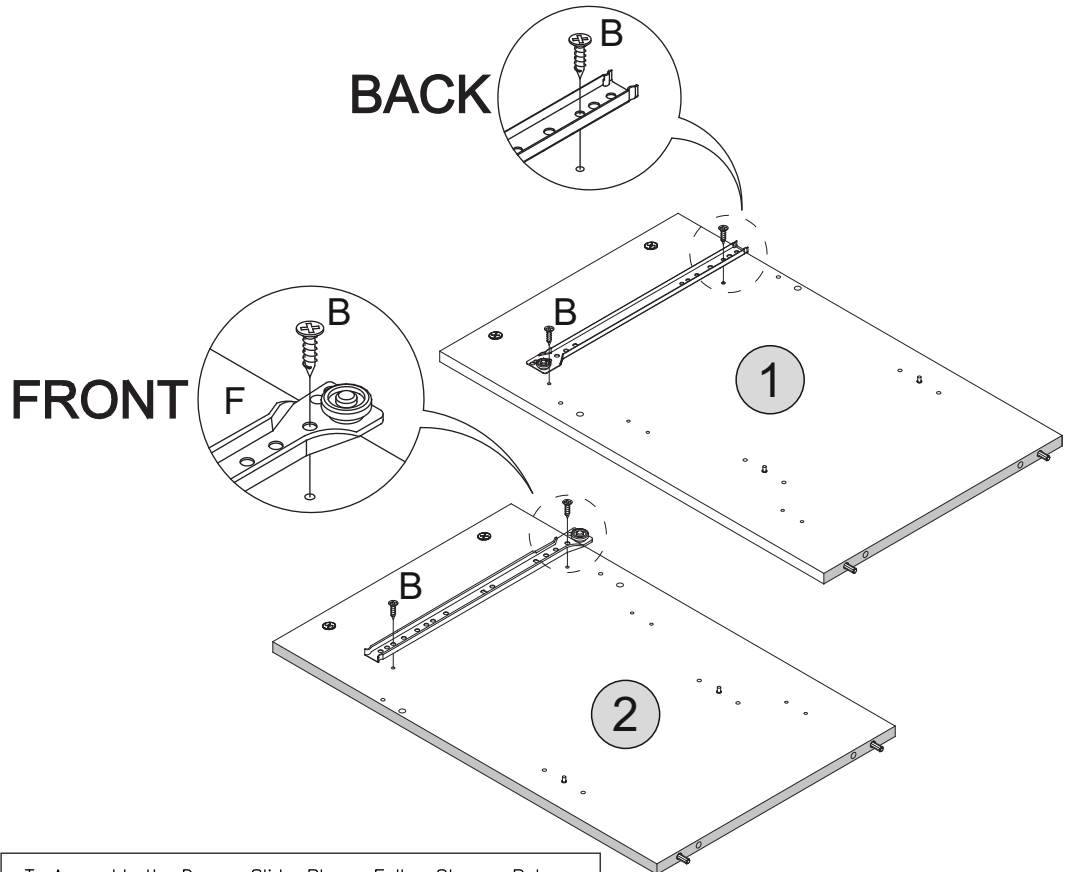
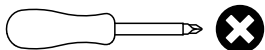
## PARTS REQUIRED

1 - LEFT SIDE PANEL	x1
2 - RIGHT SIDE PANEL	x1

## HARDWARE REQUIRED

B		04
F		02

## TOOLS REQUIRED



# STEP 3

## PARTS REQUIRED

1 - LEFT SIDE PANEL x1

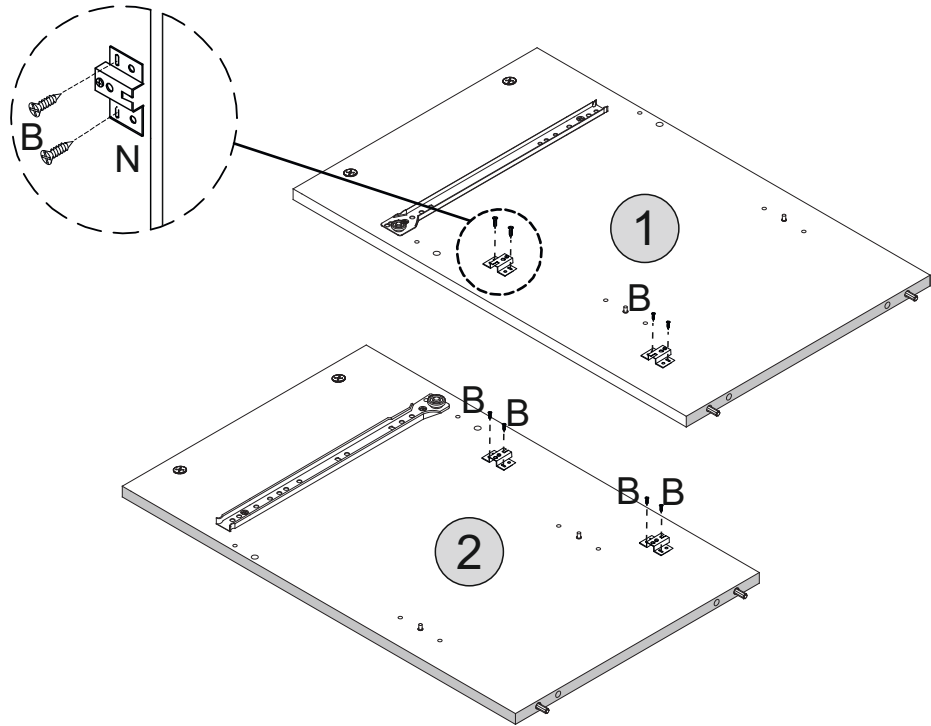
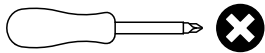
2 - RIGHT SIDE PANEL x1

## HARDWARE REQUIRED

B  08

N  04

## TOOLS REQUIRED



# STEP 4

## PARTS REQUIRED

11 - LEFT DOOR x1

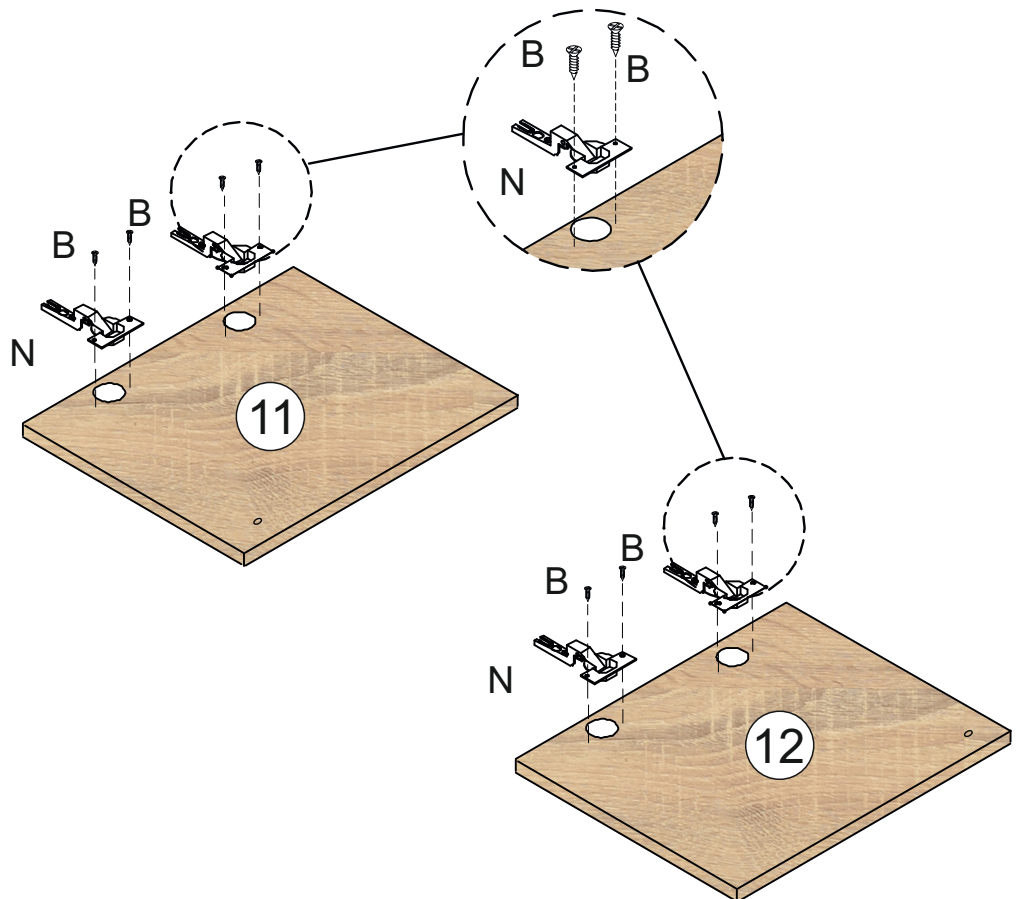
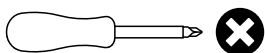
12 - RIGHT DOOR x1

## HARDWARE REQUIRED

B  08

N  04

## TOOLS REQUIRED



# STEP 5

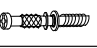
## PARTS REQUIRED

3 - TOP PANEL x1

8 - CENTRE PANEL x1

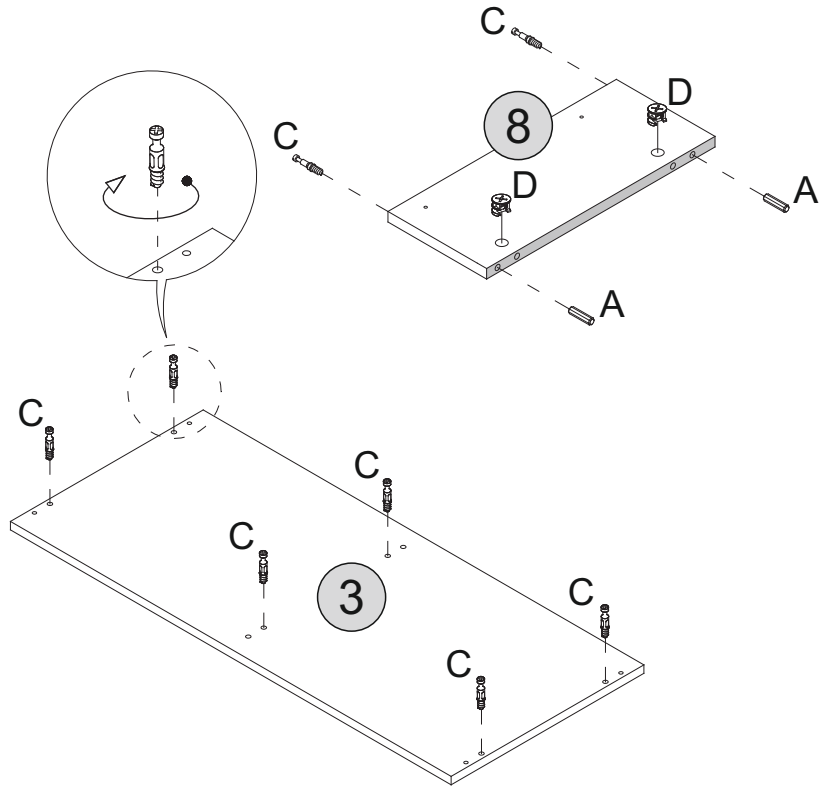
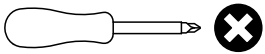
## HARDWARE REQUIRED

A  02

C  08

D  02

## TOOLS REQUIRED

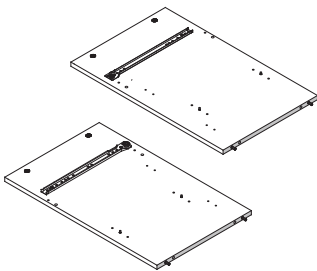


# STEP 6

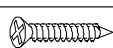
## PARTS REQUIRED

9 - FRONT SUPPORT PANEL x1

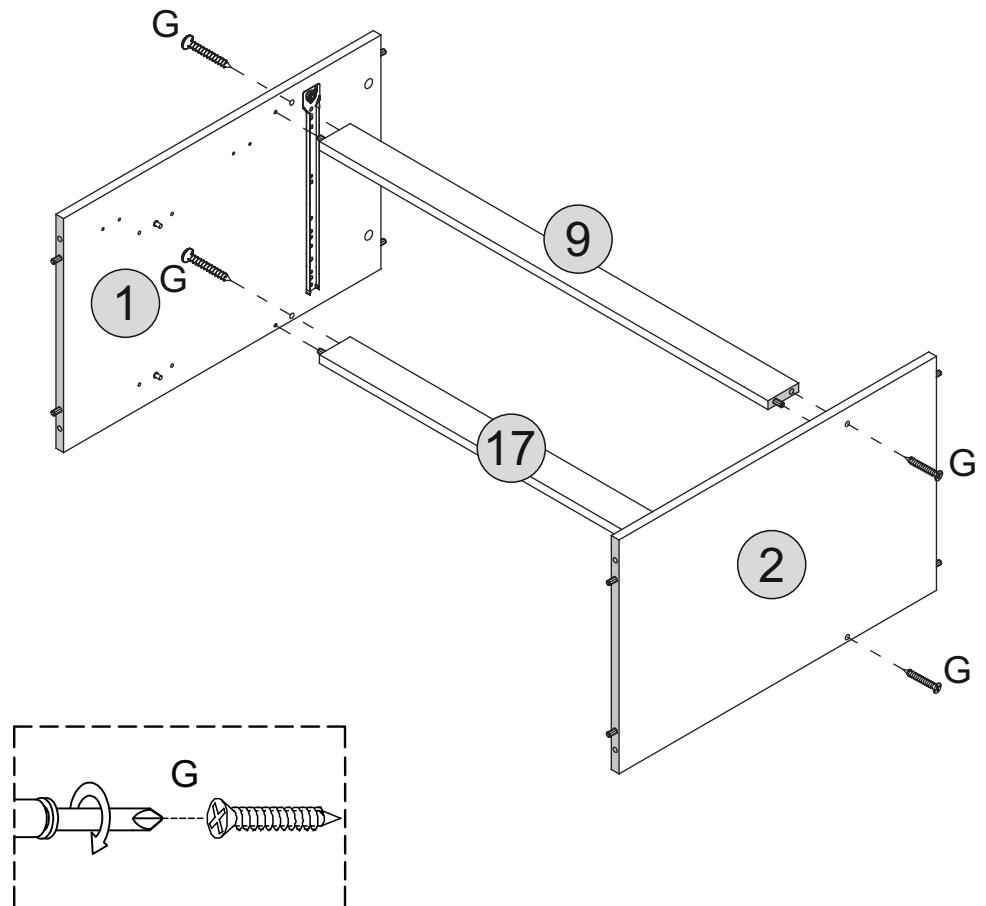
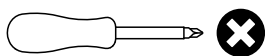
17 - BACK SUPPORT PANEL x1



## HARDWARE REQUIRED

G  04

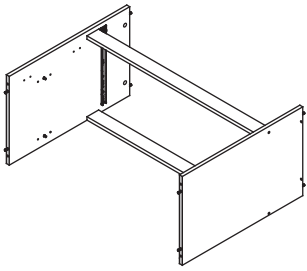
## TOOLS REQUIRED



# STEP 7

## PARTS REQUIRED

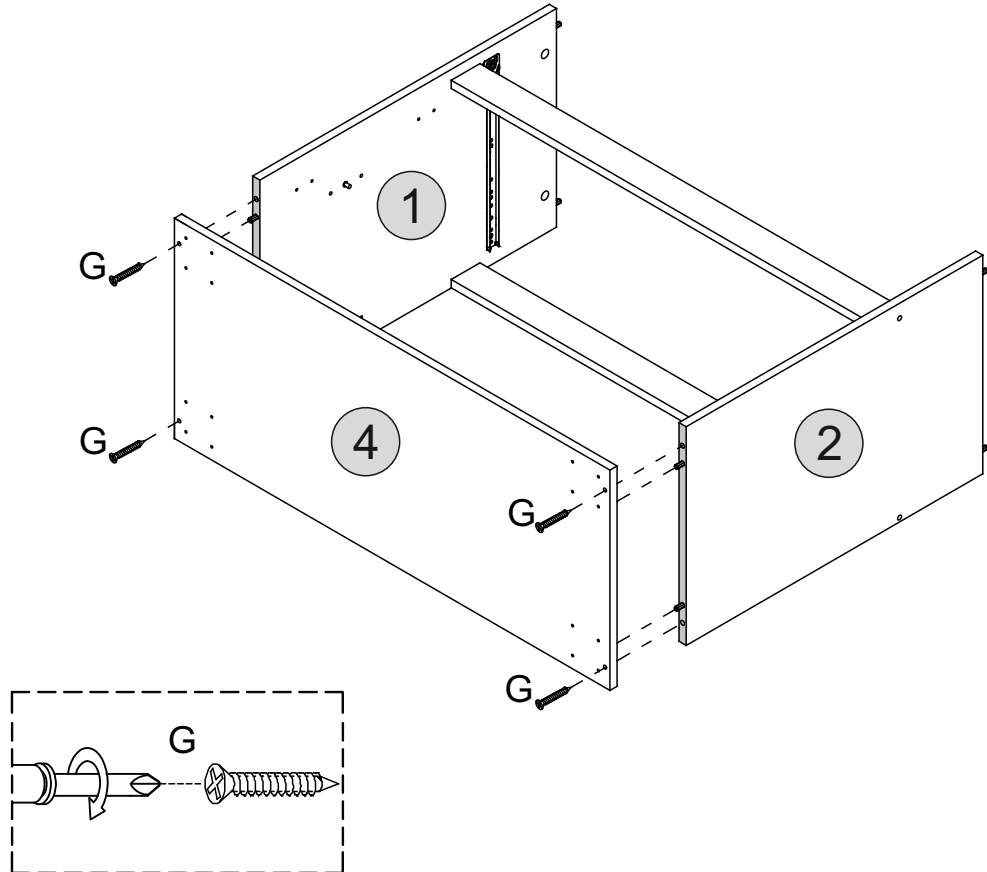
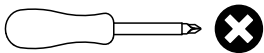
4 - BOTTOM PANEL x1



## HARDWARE REQUIRED

G  04

## TOOLS REQUIRED



# STEP 8

## PARTS REQUIRED

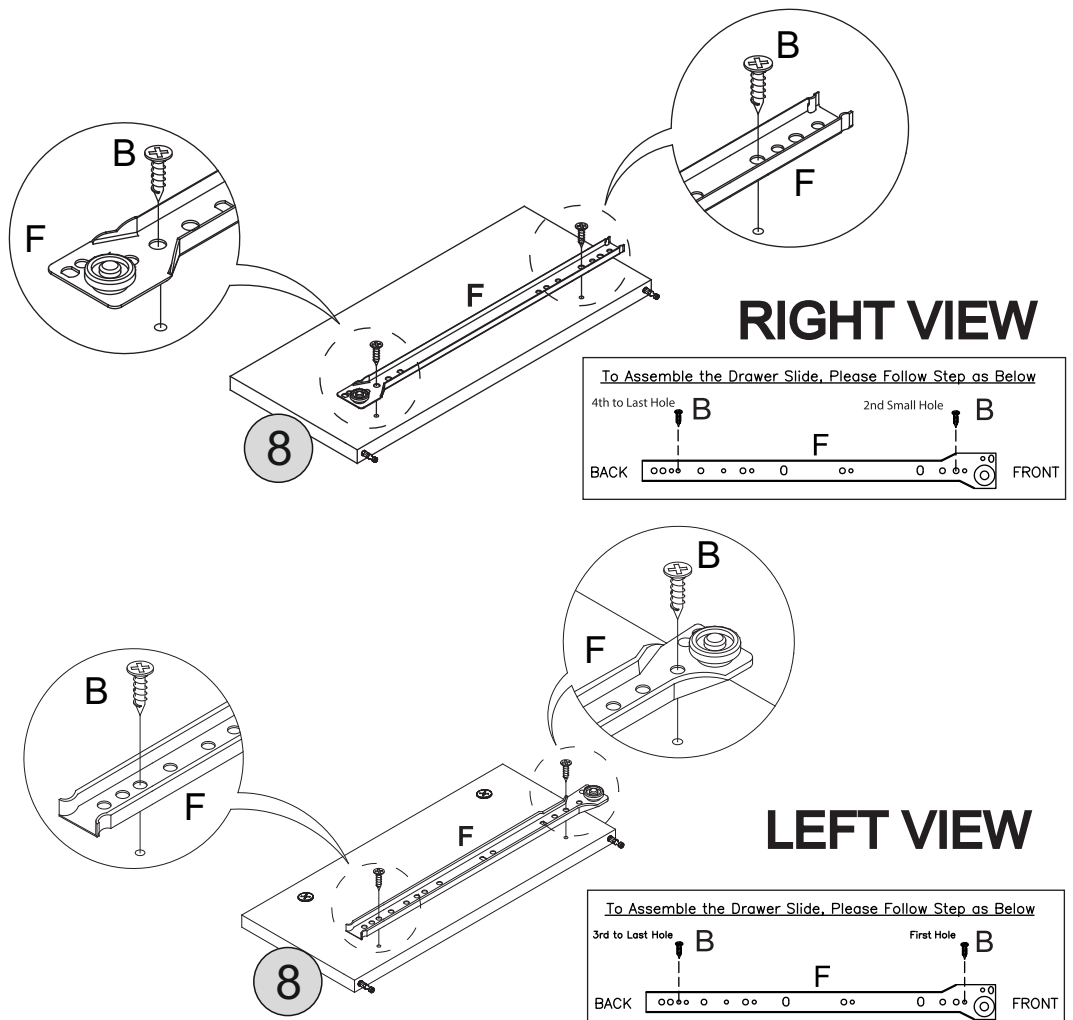
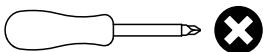
8 - CENTRE PANEL x1

## HARDWARE REQUIRED

B  04

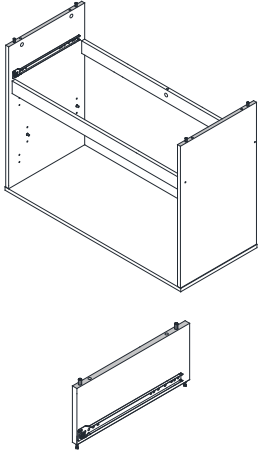
F  01

## TOOLS REQUIRED



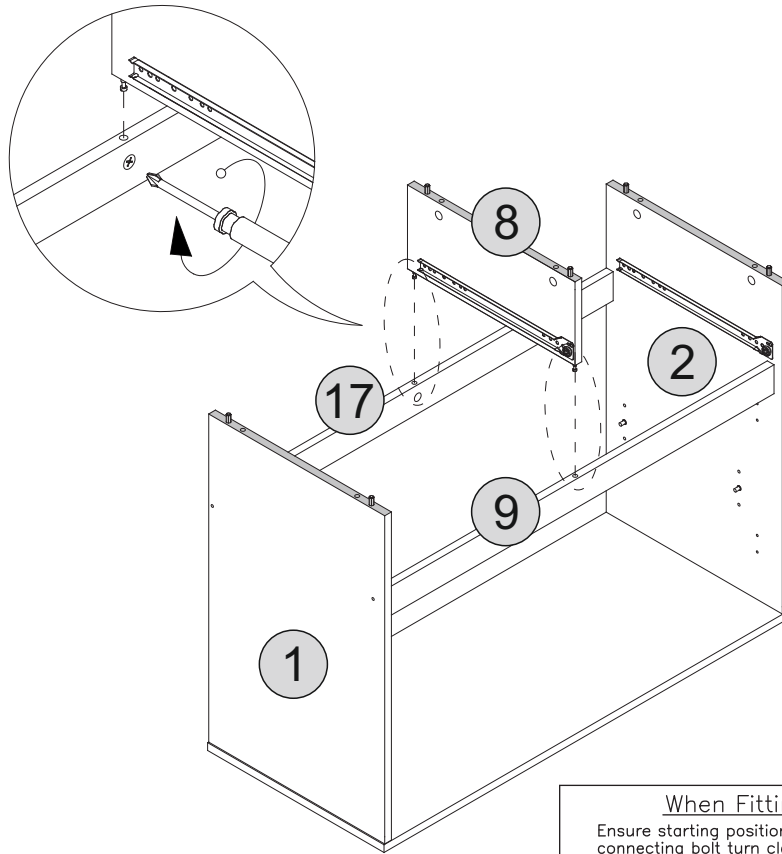
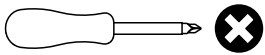
# STEP 9

**PARTS REQUIRED**



**HARDWARE REQUIRED**

**TOOLS REQUIRED**

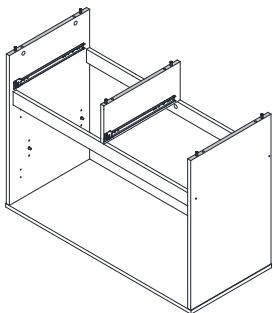


**When Fitting Cams**  
Ensure starting position correct before you insert connecting bolt turn clockwise until secure.

# STEP 10

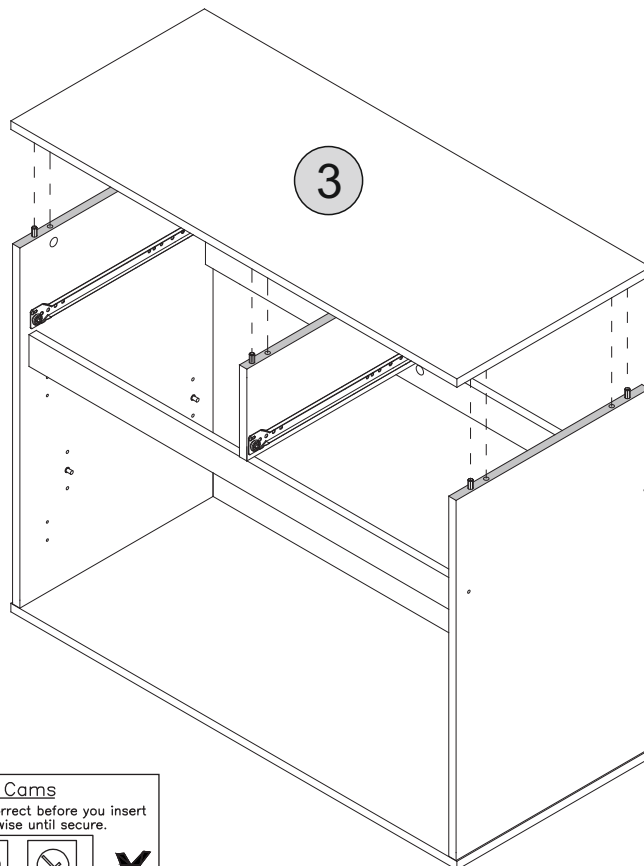
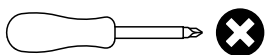
**PARTS REQUIRED**

3 - TOP PANEL x1



**HARDWARE REQUIRED**

**TOOLS REQUIRED**



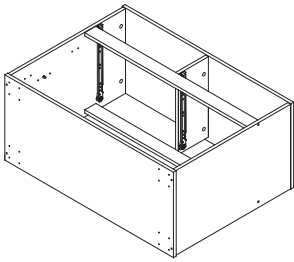
**When Fitting Cams**  
Ensure starting position correct before you insert connecting bolt turn clockwise until secure.




# STEP 11


## PARTS REQUIRED

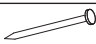
16 - BACK PANEL x3



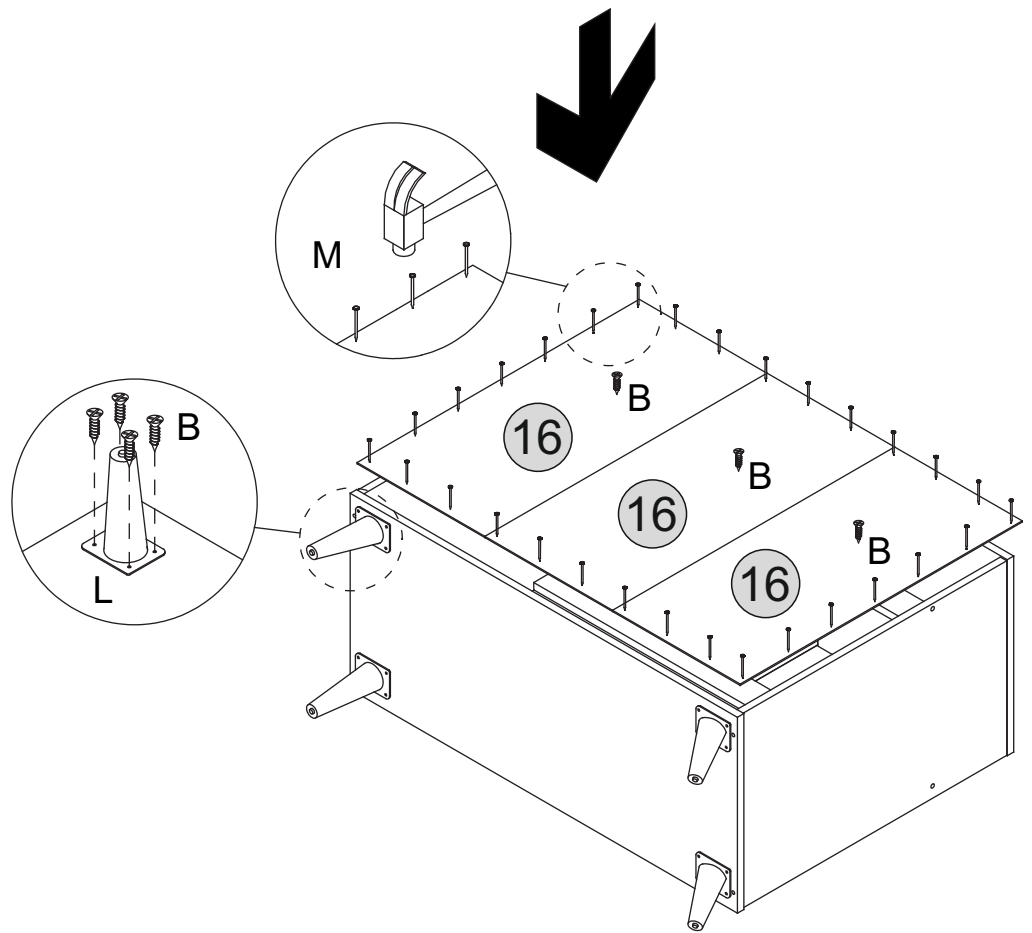
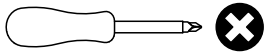
## HARDWARE REQUIRED

B  19

L  04

M  30

## TOOLS REQUIRED



# STEP 12

## PARTS REQUIRED

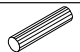
6 - RIGHT DRAWER SIDE PANEL x2

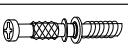
7 - LEFT DRAWER SIDE PANEL x2

13 - LEFT DRAWER FRONT x1

14 - RIGHT DRAWER FRONT x1

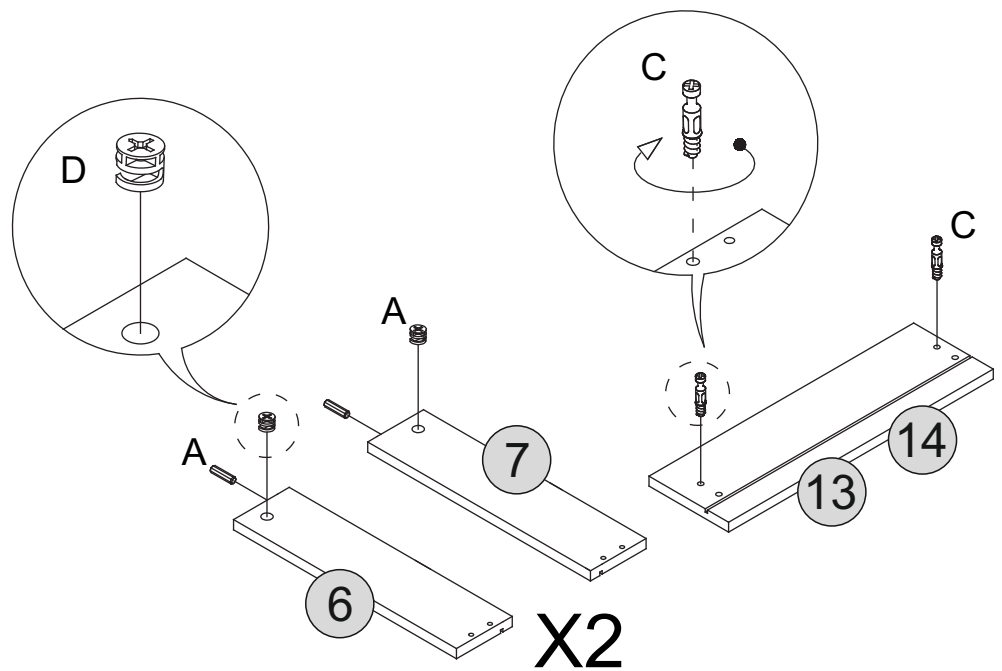
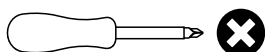
## HARDWARE REQUIRED

A  04

C  04

D  04

## TOOLS REQUIRED



# STEP 13

## PARTS REQUIRED

6 - RIGHT DRAWER SIDE PANEL x2

7 - LEFT DRAWER SIDE PANEL x2


10 - DRAWER BACK PANEL x2

13 - LEFT DRAWER FRONT x1

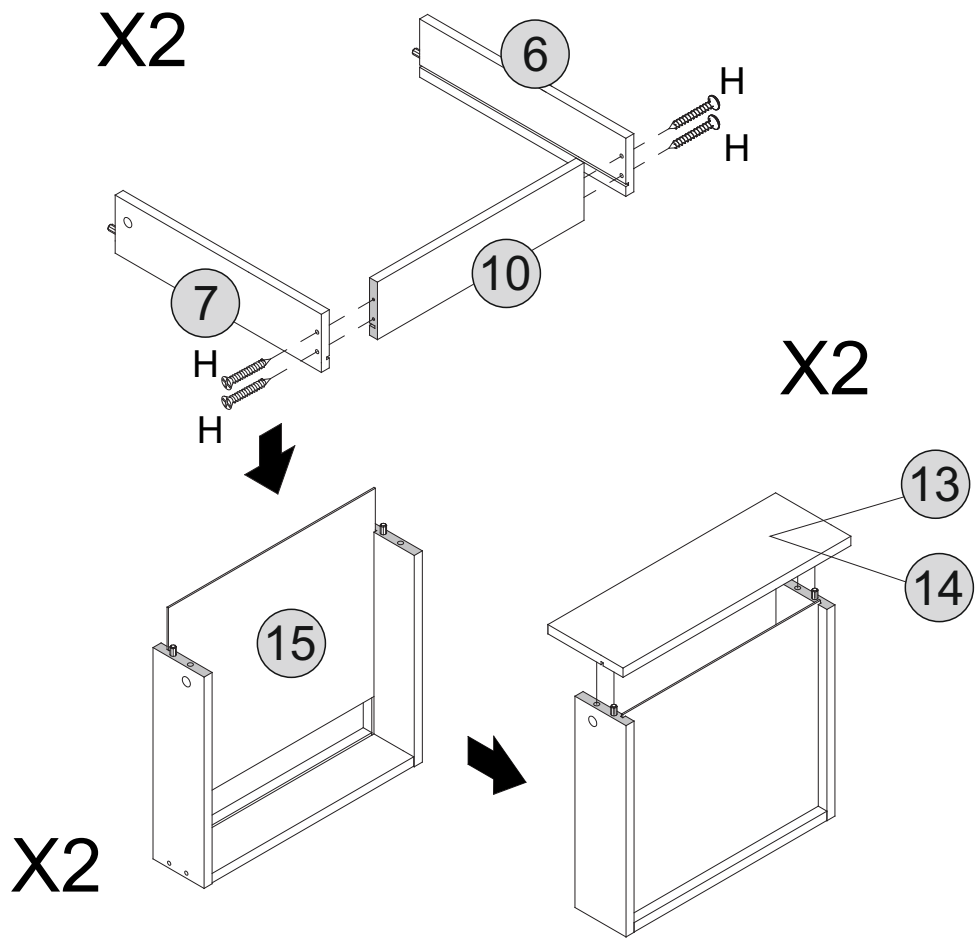
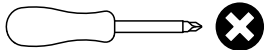
14 - RIGHT DRAWER FRONT x1

15 - DRAWER BASE x2

## HARDWARE REQUIRED

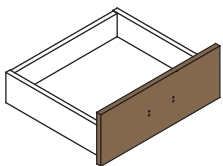
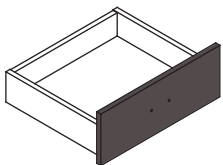
H  08

## TOOLS REQUIRED



# STEP 14

## PARTS REQUIRED

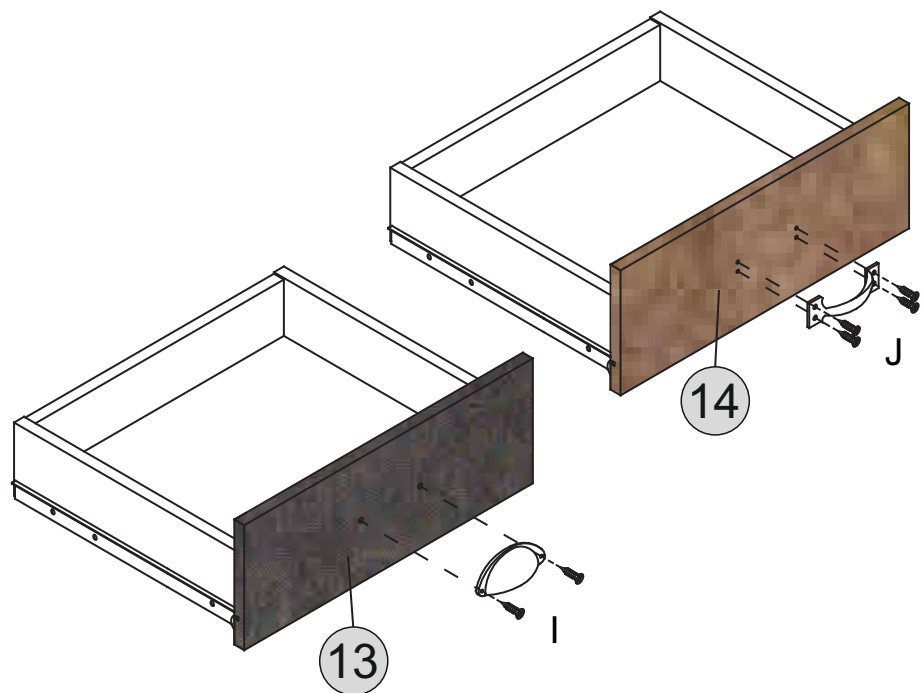
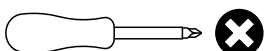


## HARDWARE REQUIRED

I  01

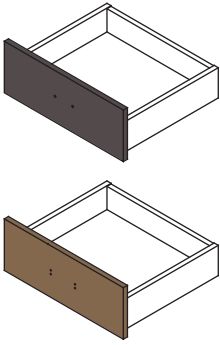
J  01

## TOOLS REQUIRED

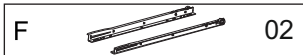
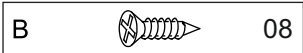


# STEP 15

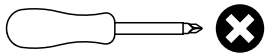
**PARTS REQUIRED**



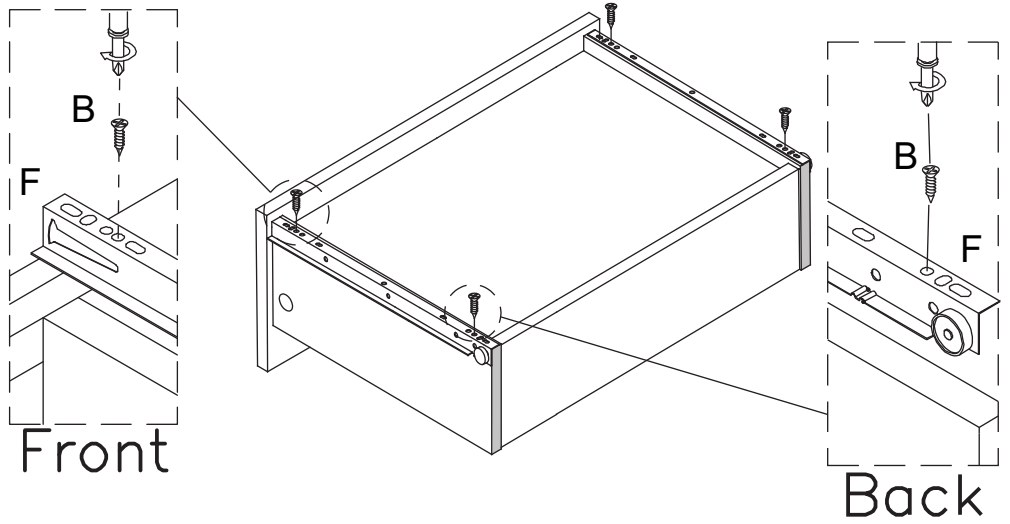
**HARDWARE REQUIRED**



**TOOLS REQUIRED**



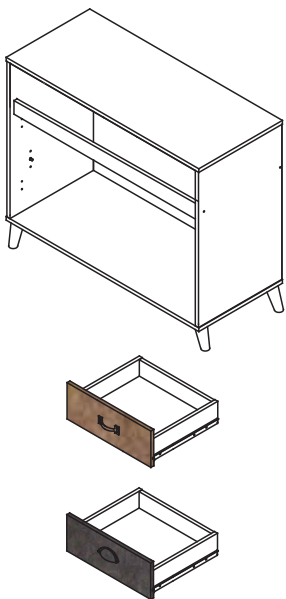
X2



# STEP 16

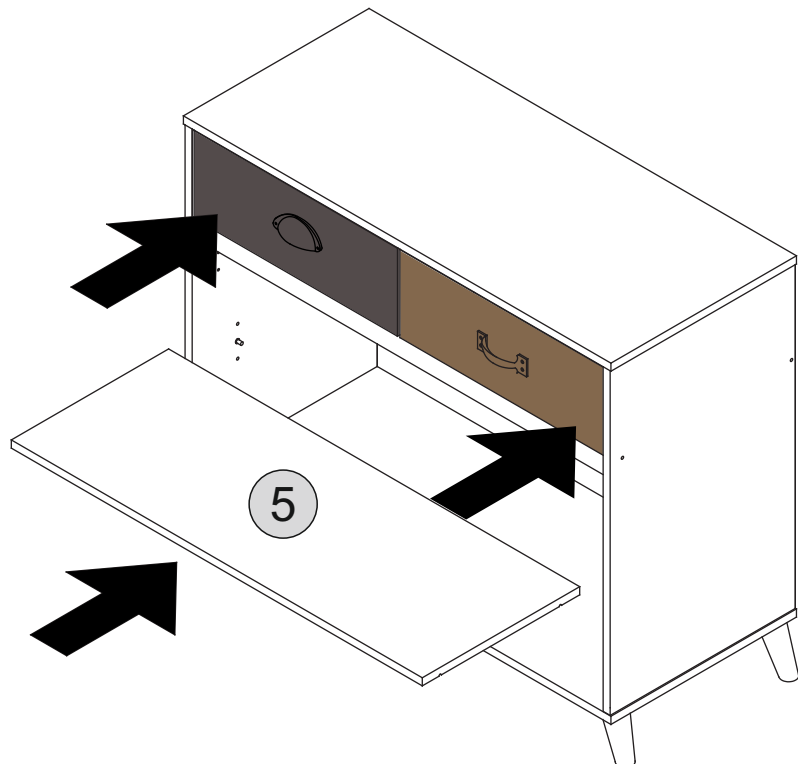
**PARTS REQUIRED**

5 - SHELF PANEL	x1
-----------------	----



**HARDWARE REQUIRED**

**TOOLS REQUIRED**

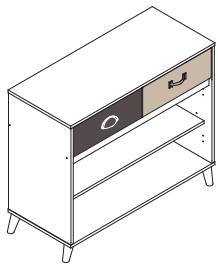


# STEP 17

## PARTS REQUIRED

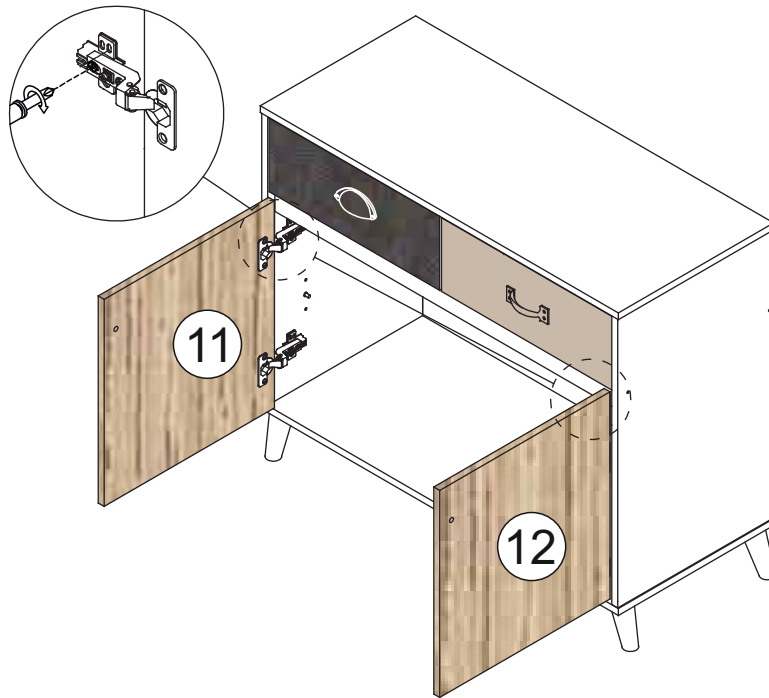
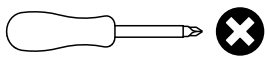
11 - LEFT DOOR x1

12 - RIGHT DOOR x1

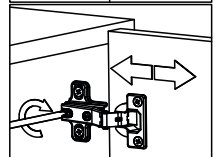
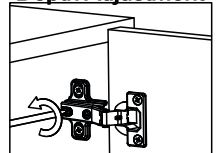


## HARDWARE REQUIRED

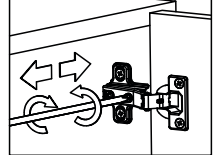
### TOOLS REQUIRED



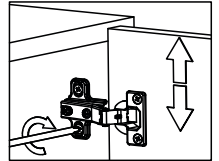
### Depth Adjustment



### Internal Adjustment



### Height Adjustment



# STEP 18

## PARTS REQUIRED

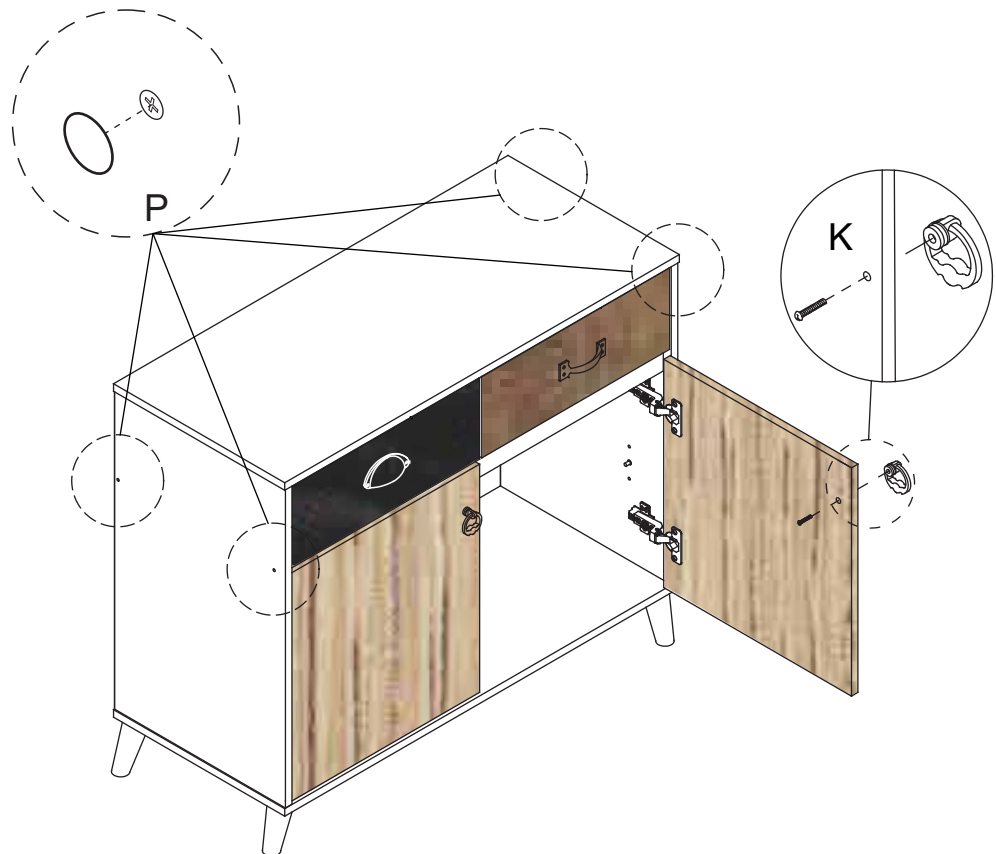
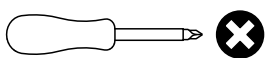


## HARDWARE REQUIRED

K  02

P  04

### TOOLS REQUIRED



# STEP 19

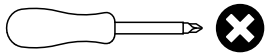
## PARTS REQUIRED



## HARDWARE REQUIRED



## TOOLS REQUIRED



## WARNING

**Serious or fatal injuries can occur from furniture tipping over. To prevent the furniture from tipping over we recommend that it is permanently fixed to the wall.**

Wall fixings are not supplied with this product as different wall materials require different types of fixing devices. Please make sure you use fixings suitable for the walls in your home.

