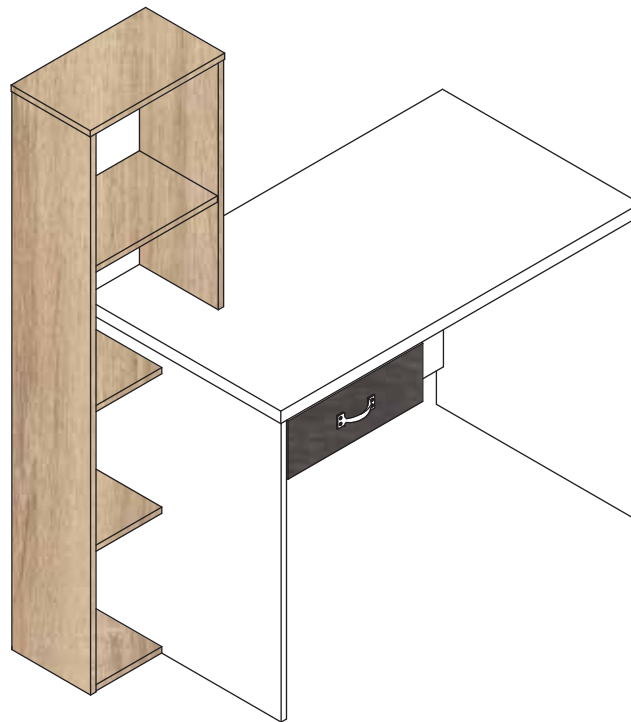


NORDIC COMPUTER DESK ASSEMBLY INSTRUCTIONS



FOR DOMESTIC USE ONLY

IMPORTANT

PLEASE READ BEFORE YOU CONTINUE FURTHER

THE PRODUCT YOU HAVE PURCHASED WILL GIVE YOU MANY YEARS OF SERVICE IF YOU FOLLOW THE GUIDELINES FOR ITS SAFE ASSEMBLY AND PERIODIC MAINTENANCE AND CLEANING.

ASSEMBLE ON A SOFT CLEAN SURFACE.

DO NOT USE ANY TOOLS OTHER THAN THOSE SHOWN.

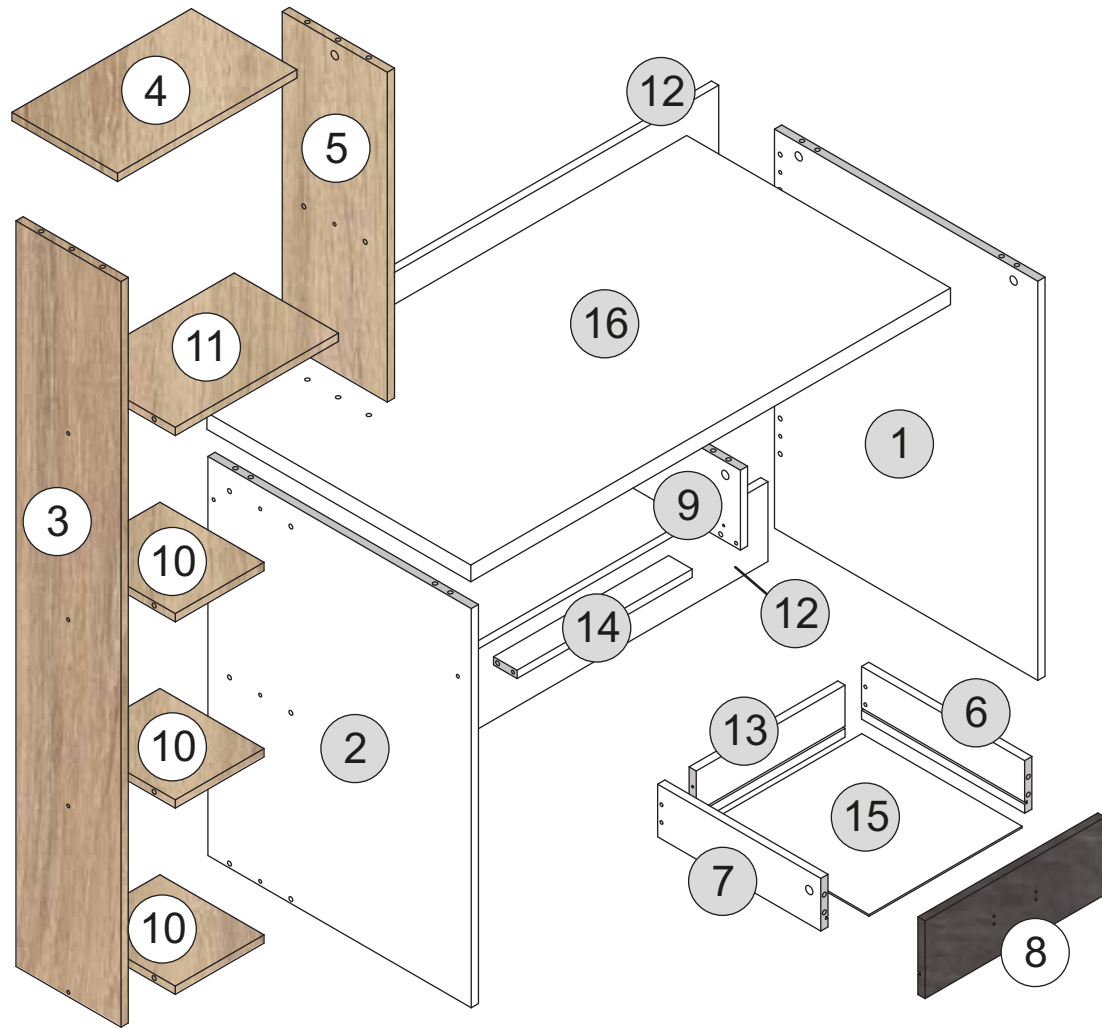
ANY SPANNERS OR ALLEN KEYS REQUIRED ARE INCLUDED WITH THE FITTING KIT.

DO NOT FOR ANY REASON USE A POWER TOOL TO ASSEMBLE THIS PRODUCT. ITS USE WILL INVALIDATE ANY CLAIM YOU MAY HAVE AND COULD MAKE THIS PRODUCT UNSAFE.

DEPENDING ON THE AMOUNT OF USE THIS PRODUCT RECEIVES, IT MAY BE NECESSARY TO TIGHTEN UP THE FIXINGS FROM TIME TO TIME. THIS IS COMPLETELY NORMAL FOR ANY FLAT PACK FURNITURE. DO NOT OVERTIGHTEN FIXINGS.

FOR CLEANING, YOU MAY USE A DAMP CLOTH (NOT WET). DO NOT USE POLISH, DETERGENT OR CHEMICAL CLEANERS.

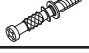
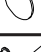
THE SURFACE OF THIS ITEM IS NOT HEAT RESISTANT. ALWAYS USE A PLACE MAT UNDER HOT OR COLD ITEMS TO PREVENT MARKING.



PART LIST


Part Number	Part Code	Part Description	Quantity	Carton
1	S500-501-016-ZF1-01	Right Side Panel	1	1/1
2	S500-501-016-ZF1-02	Left Side Panel	1	1/1
3	S500-501-016-ZF1-03	Large Left Side Panel	1	1/1
4	S500-501-016-ZF1-04	Top Panel	1	1/1
5	S500-501-016-ZF1-05	Centre Panel	1	1/1
6	S500-501-016-ZF1-06	Right Drawer Side Panel	1	1/1
7	S500-501-016-ZF1-07	Left Drawer Side Panel	1	1/1
8	S500-501-016-ZF1-08	Drawer Front Panel	1	1/1
9	S500-501-016-ZF1-09	Centre Support Panel	1	1/1
10	S500-501-016-ZF1-10	Small Support Panel	3	1/1
11	S500-501-016-ZF1-11	Large Support Panel	1	1/1
12	S500-501-016-ZF1-12	Back Support Panel	2	1/1
13	S500-501-016-ZF1-13	Drawer Back Panel	1	1/1
14	S500-501-016-ZF1-14	Support Panel	1	1/1
15	S500-501-016-ZF1-15	Drawer Base Panel	1	1/1
16	S500-501-016-ZF1-16	Table Top Panel	1	1/1

HARDWARE LIST


No	Part Name		Qty	Carton
A	M8x30mm Wooden Dowel		x40	1/1
B	M4x65mm Screw		x1	1/1
C	M4x45mm Screw		x14	1/1
D	M4x38mm Screw		x4	1/1
E	M3.5x14mm Screw		x8	1/1
F	Minifix Cam Bolt <i>(8032t)</i>		x10	1/1
G	Minifix Cam Nut <i>(1510)</i>		x10	1/1
H	PVC Nail with Pin		x5	1/1
I	14"Drawer Slide <i>(0.9 - W)</i>		x2	1/1
J	Handle + Screw <i>L-3510 (3x16mm=4pcs)</i>		x1	1/1
K	Sticker (12mm)		x13	1/1
L	Wall Fixings		x1	1/1

TIPS FOR FITTINGS CAM-LOCKS

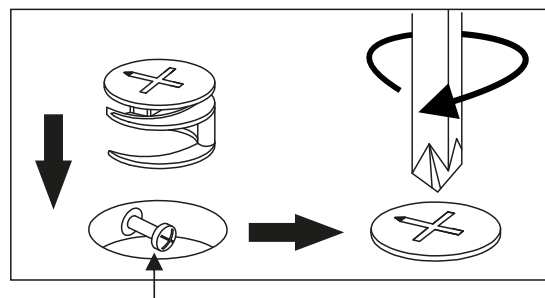
WHEN FITTING CAM NUT. ENSURE STARTING POSITION IS CORRECT BEFORE YOU INSERT
CONNECTING CAM BOLT TURN CLOCKWISE UNTIL SECURE



↑
CORRECT



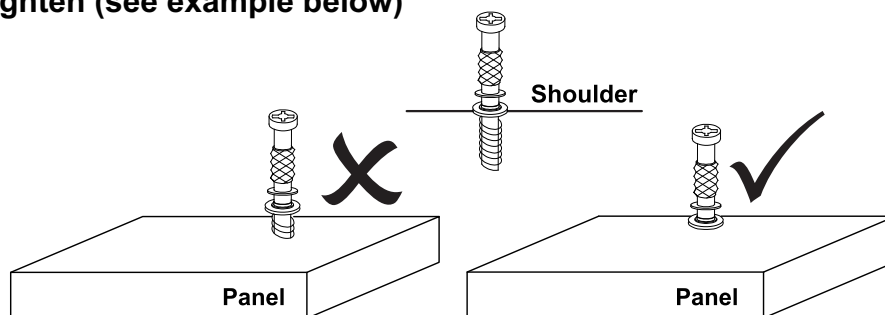
WRONG



Cam bolt head needs to be in centre

CAMBOLT

Tighten until shoulder in flush with panel. Do not overtighten or undertighten (see example below)

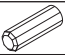


STEP 1

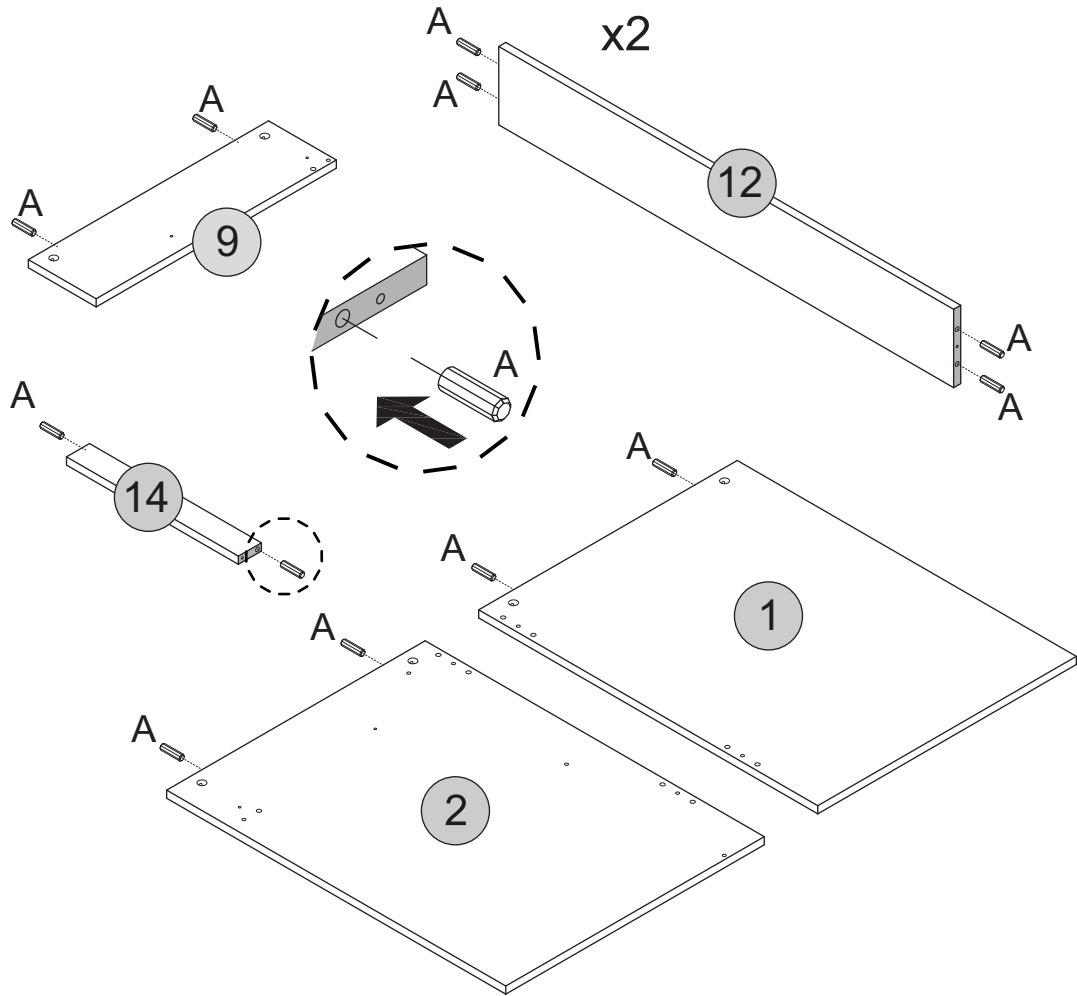
PARTS REQUIRED

- 1 - RIGHT SIDE PANEL x1
- 2 - LEFT SIDE PANEL x1
- 9 - CENTRE SUPPORT PANEL x1
- 12 - BACK SUPPORT PANEL x2
- 14 - SUPPORT PANEL x1

HARDWARE REQUIRED

- A  16

TOOLS REQUIRED

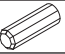


STEP 2

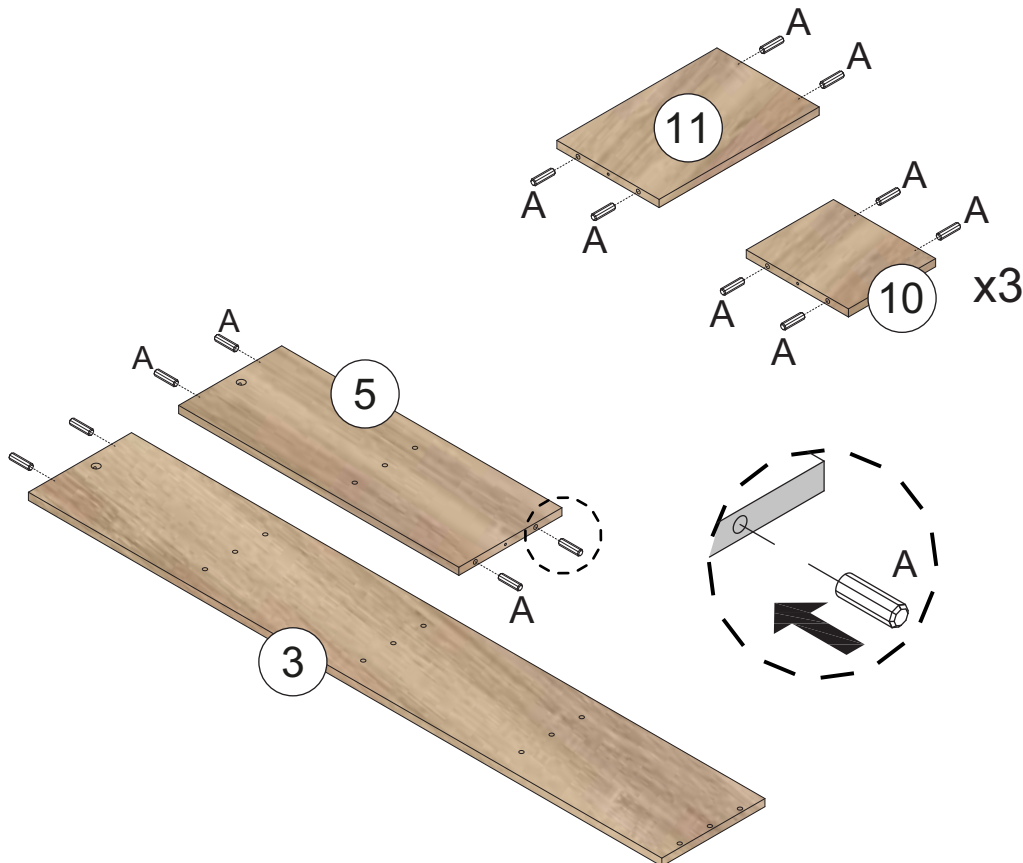
PARTS REQUIRED

- 3 - LARGE LEFT SIDE PANEL x1
- 5 - CENTRE PANEL x1
- 10 - SMALL SUPPORT PANEL x3
- 11 - LARGE SUPPORT PANEL x1

HARDWARE REQUIRED

- A  22

TOOLS REQUIRED




STEP 3

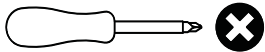
PARTS REQUIRED

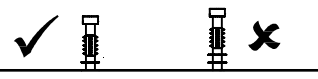
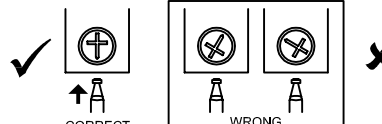
- 4 - TOP PANEL x1
- 16 - TABLE TOP PANEL x1

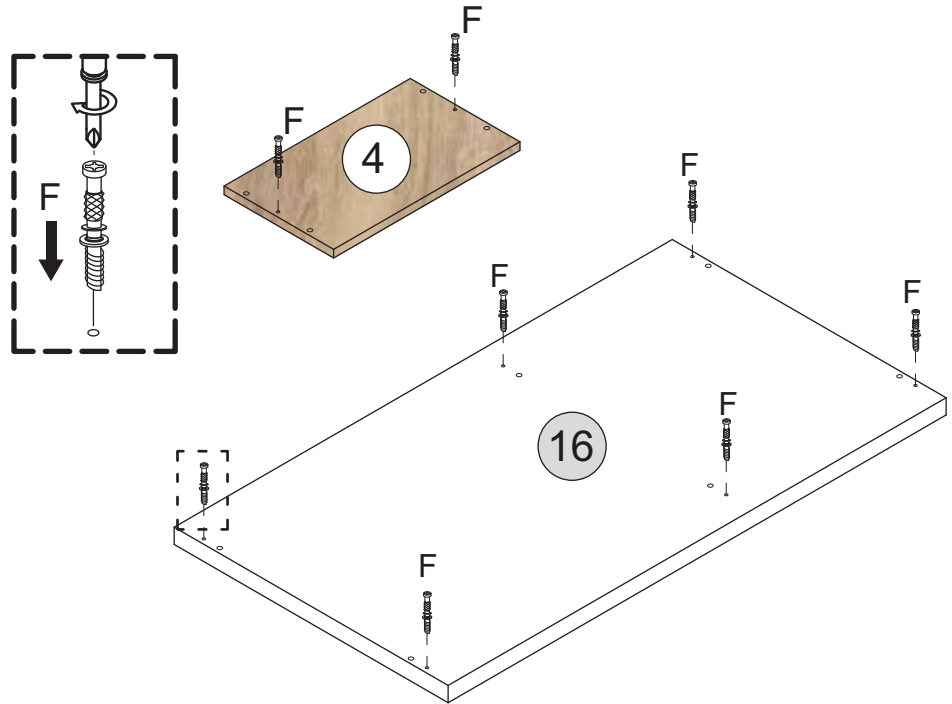
HARDWARE REQUIRED

- F  08

TOOLS REQUIRED



WHEN FITTING CAM STUD ENSURE THE CAM STUD IS FULLY TIGHTEN IN	WHEN FITTING CAMS ENSURE STARTING POSITION IS CORRECT BEFORE YOU INSERT CONNECTING BOLT TURN CLOCKWISE UNTIL SECURE
	
CORRECT WRONG	CORRECT WRONG





STEP 4

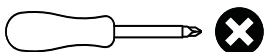
PARTS REQUIRED

- 2 - LEFT SIDE PANEL x1
- 9 - CENTRE SUPPORT PANEL x1

HARDWARE REQUIRED

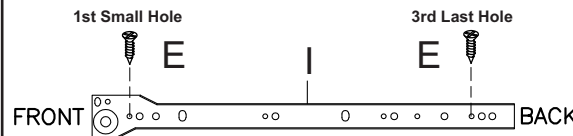
- E  04
- I  02

TOOLS REQUIRED

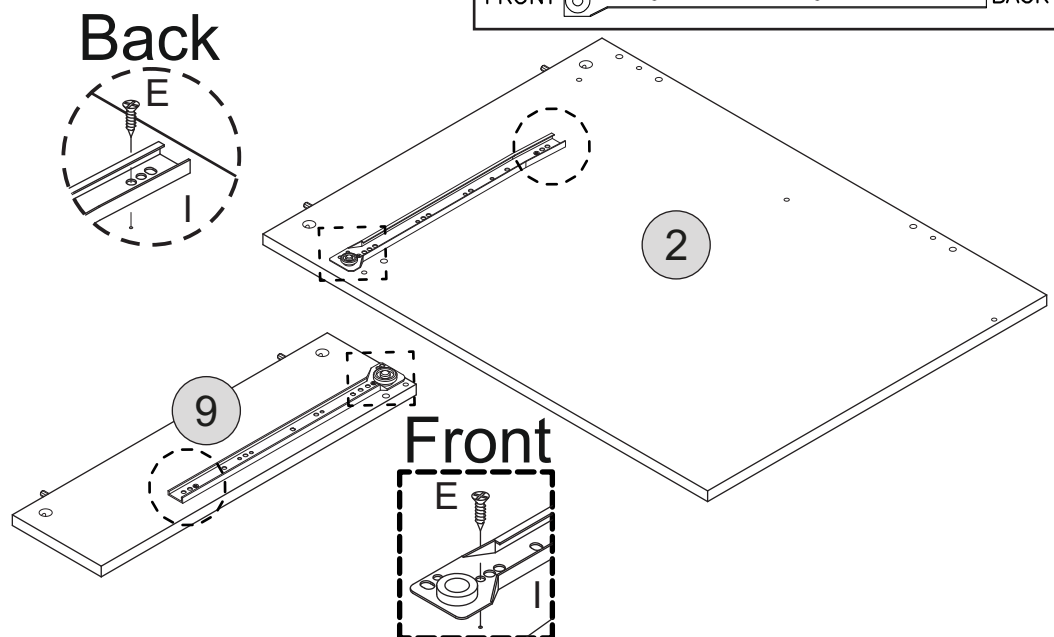


To Assemble the Drawer Slide, Please Follow Step as Below

1st Small Hole 3rd Last Hole

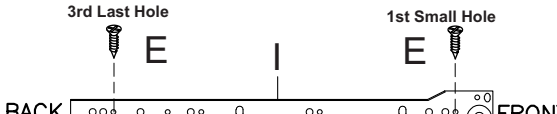


FRONT BACK



To Assemble the Drawer Slide, Please Follow Step as Below

3rd Last Hole 1st Small Hole



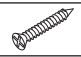

BACK FRONT

STEP 5

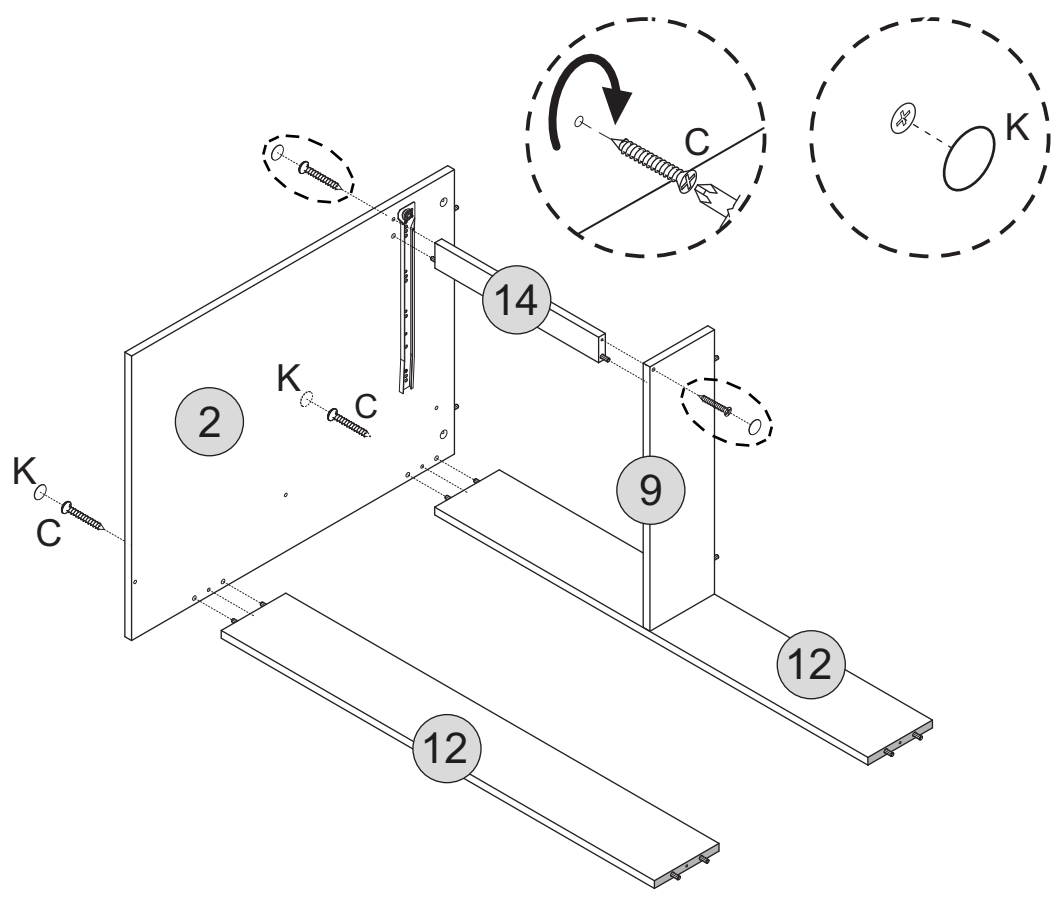
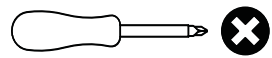
PARTS REQUIRED

- 2 - LEFT SIDE PANEL x1
- 9 - CENTRE SUPPORT PANEL x1
- 12 - BACK SUPPORT PANEL x2
- 14 - SUPPORT PANEL x1

HARDWARE REQUIRED

- C  04
- K  04

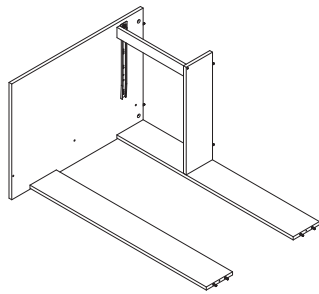
TOOLS REQUIRED



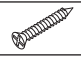

STEP 6

PARTS REQUIRED

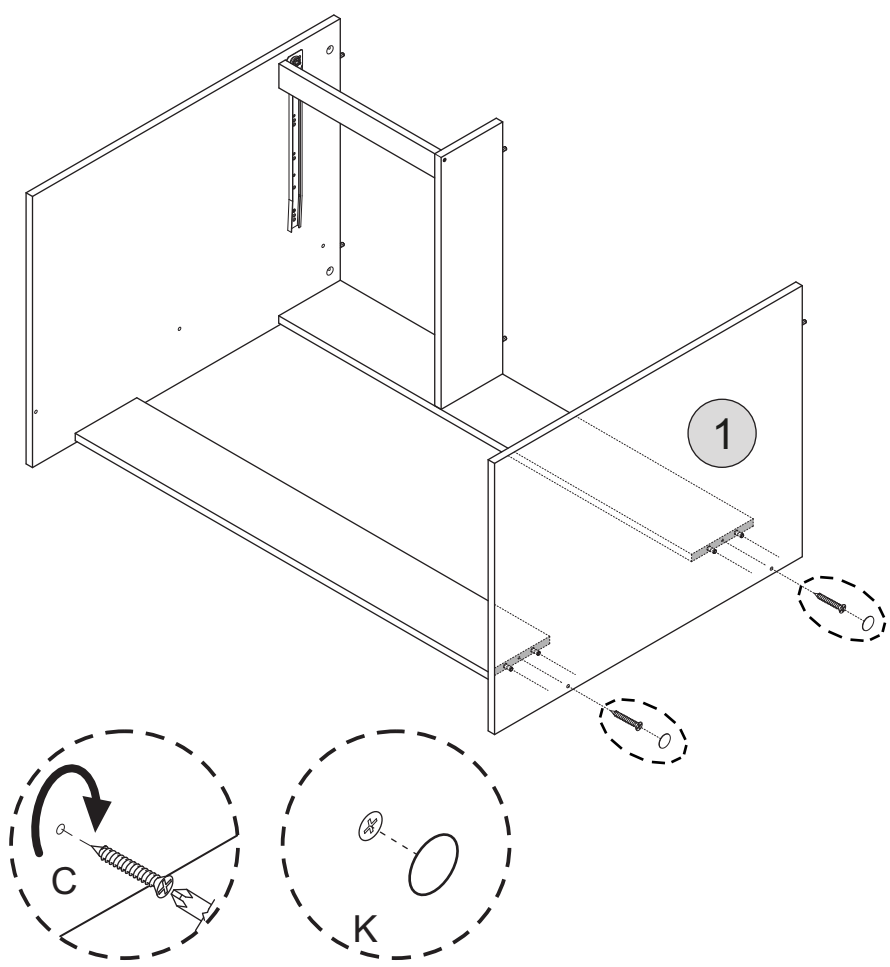
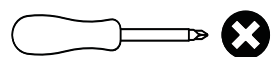
- 1 - RIGHT SIDE PANEL x1



HARDWARE REQUIRED

- C  02
- K  02

TOOLS REQUIRED



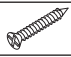
STEP 7

PARTS REQUIRED

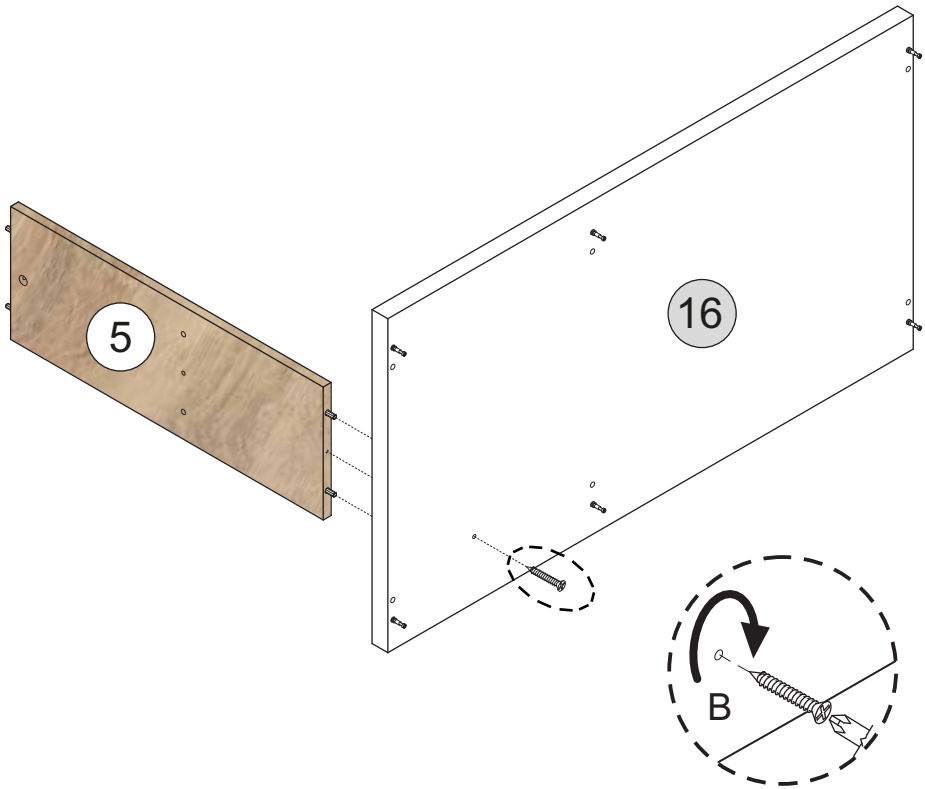
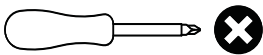
5 - CENTRE PANEL x1

16 - TABLE TOP PANEL x1

HARDWARE REQUIRED

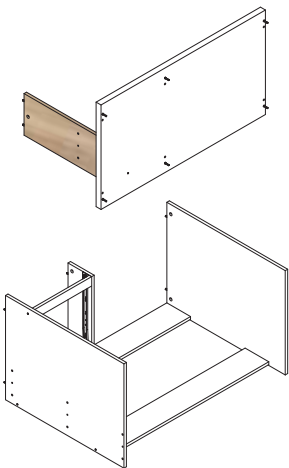
B  01

TOOLS REQUIRED



STEP 8

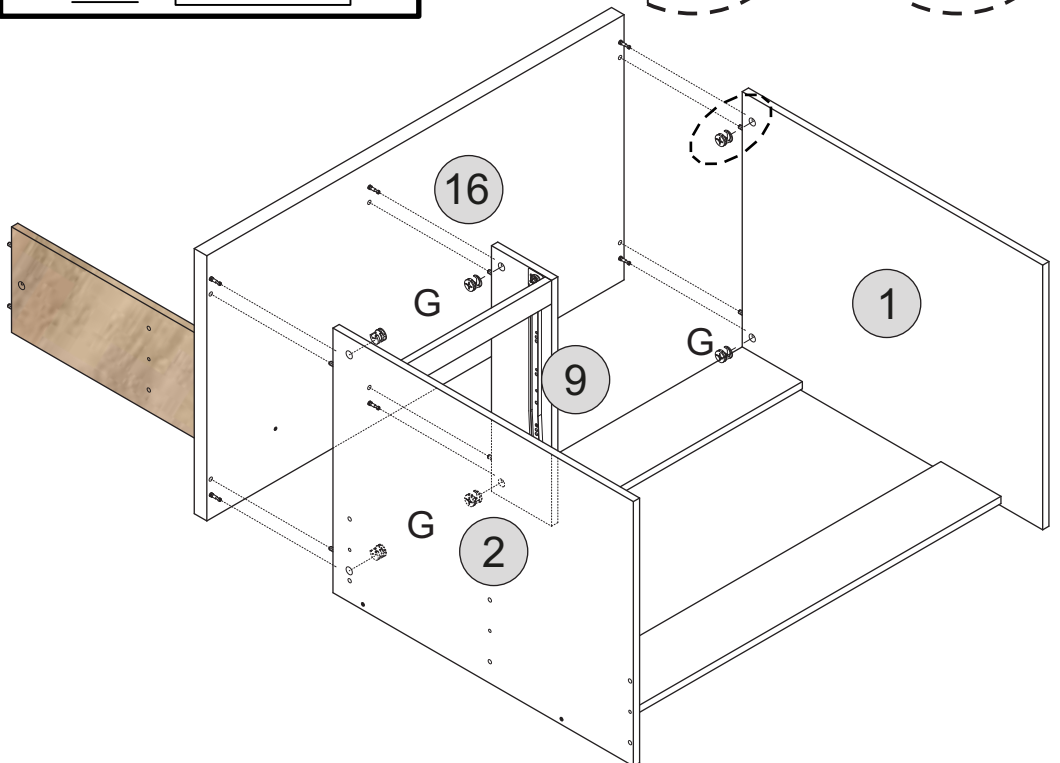
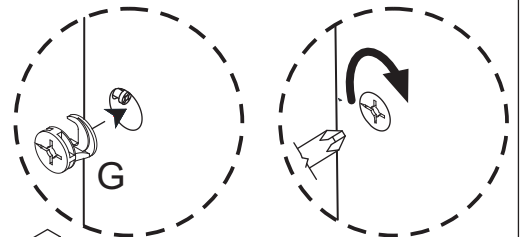
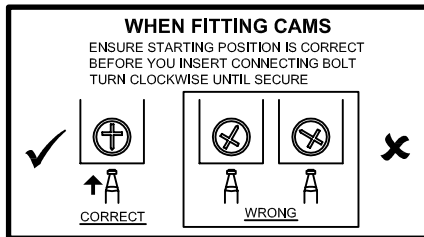
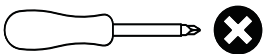
PARTS REQUIRED



HARDWARE REQUIRED

G  06

TOOLS REQUIRED



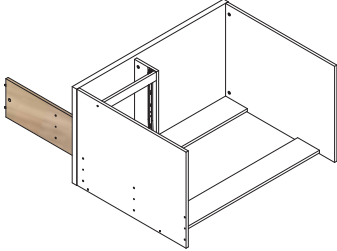
STEP 9

PARTS REQUIRED


3 - LARGE LEFT SIDE PANEL x1

10 - SMALL SUPPORT PANEL x3

11 - LARGE SUPPORT PANEL x1

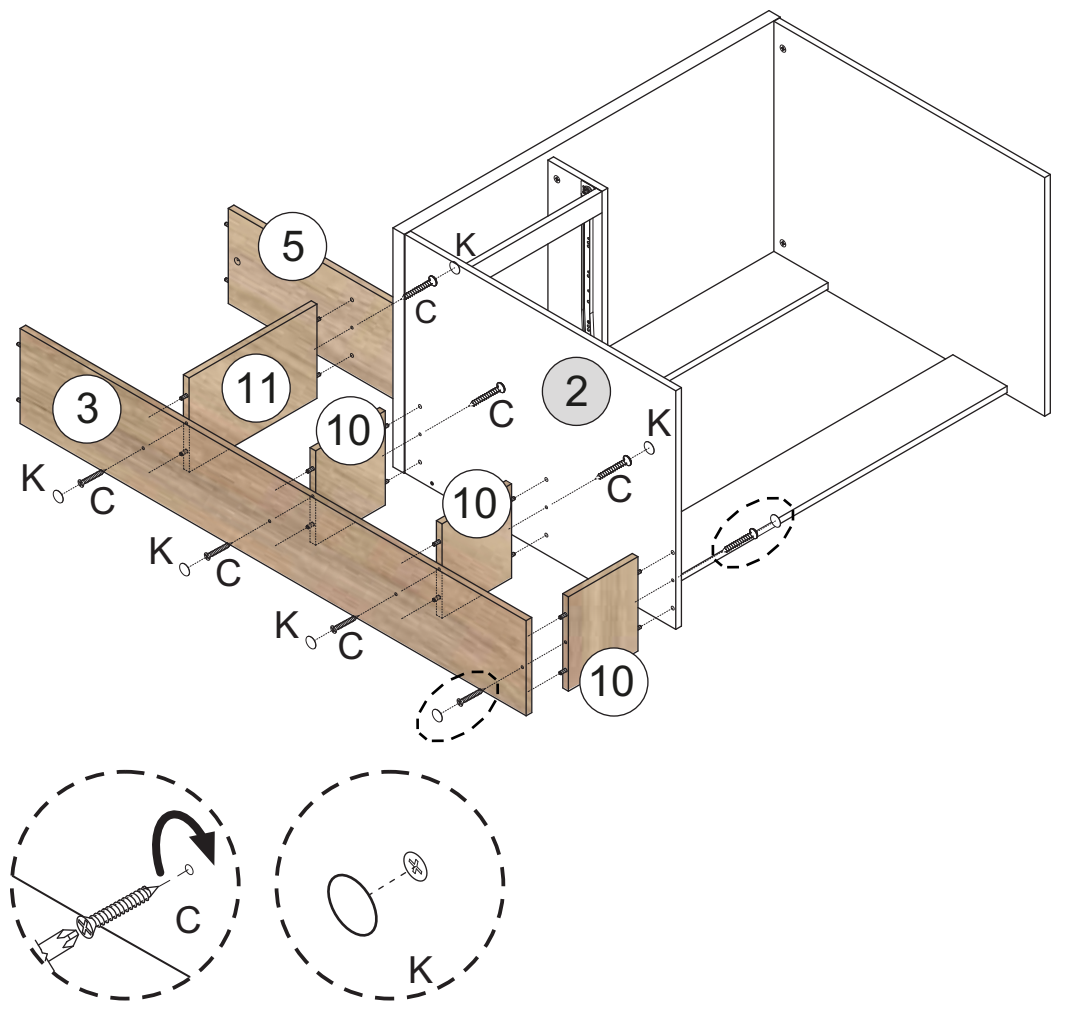
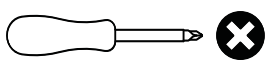


HARDWARE REQUIRED

C  08

K  07

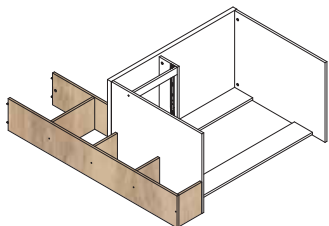
TOOLS REQUIRED



STEP 10

PARTS REQUIRED

4 - TOP PANEL x1

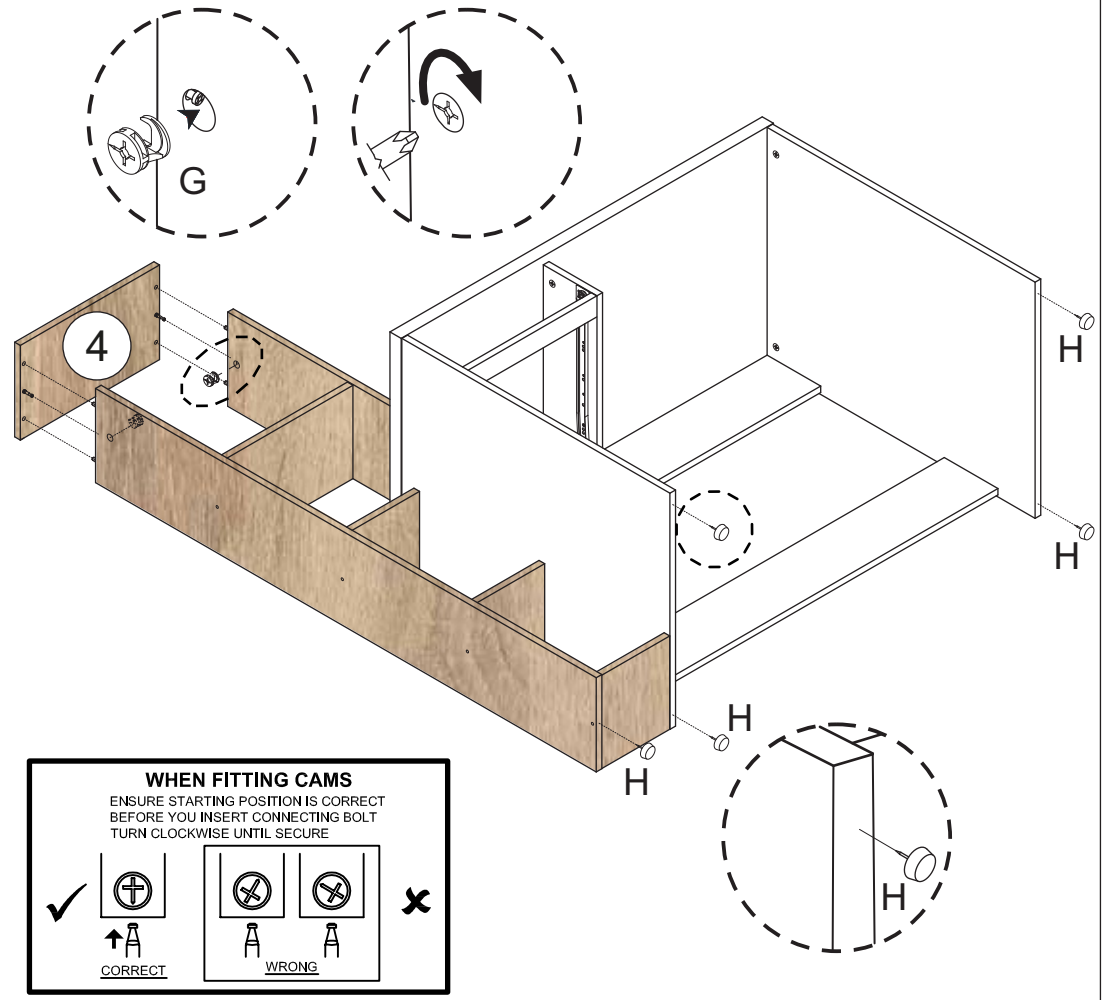
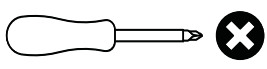


HARDWARE REQUIRED

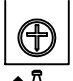


G  02

H  05

TOOLS REQUIRED



WHEN FITTING CAMS
 ENSURE STARTING POSITION IS CORRECT
 BEFORE YOU INSERT CONNECTING BOLT
 TURN CLOCKWISE UNTIL SECURE

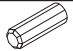
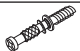

 ✓ ↑ CORRECT	 ✗	 ✗	✗
--	--	--	---

STEP 11

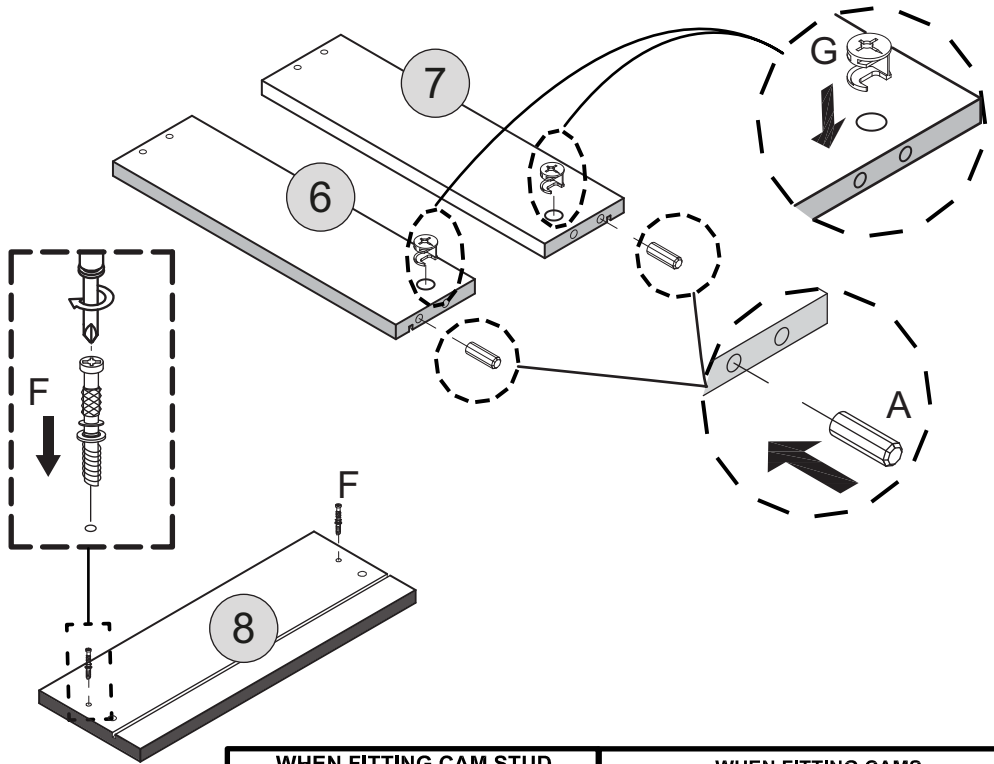
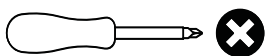
PARTS REQUIRED

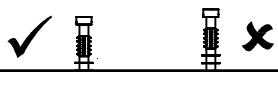
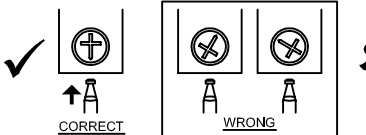
- 6 - RIGHT DRAWER SIDE x1
- 7 - LEFT DRAWER SIDE x1
- 8 - DRAWER FRONT x1

HARDWARE REQUIRED

- A  02
- F  02
- G  02

TOOLS REQUIRED




<p>WHEN FITTING CAM STUD ENSURE THE CAM STUD IS FULLY TIGHTEN IN</p>  <p>✓ ✗</p> <p>CORRECT WRONG</p>	<p>WHEN FITTING CAMS ENSURE STARTING POSITION IS CORRECT BEFORE YOU INSERT CONNECTING BOLT TURN CLOCKWISE UNTIL SECURE</p>  <p>✓ ✗ ✗</p> <p>CORRECT WRONG</p>
---	---

STEP 12

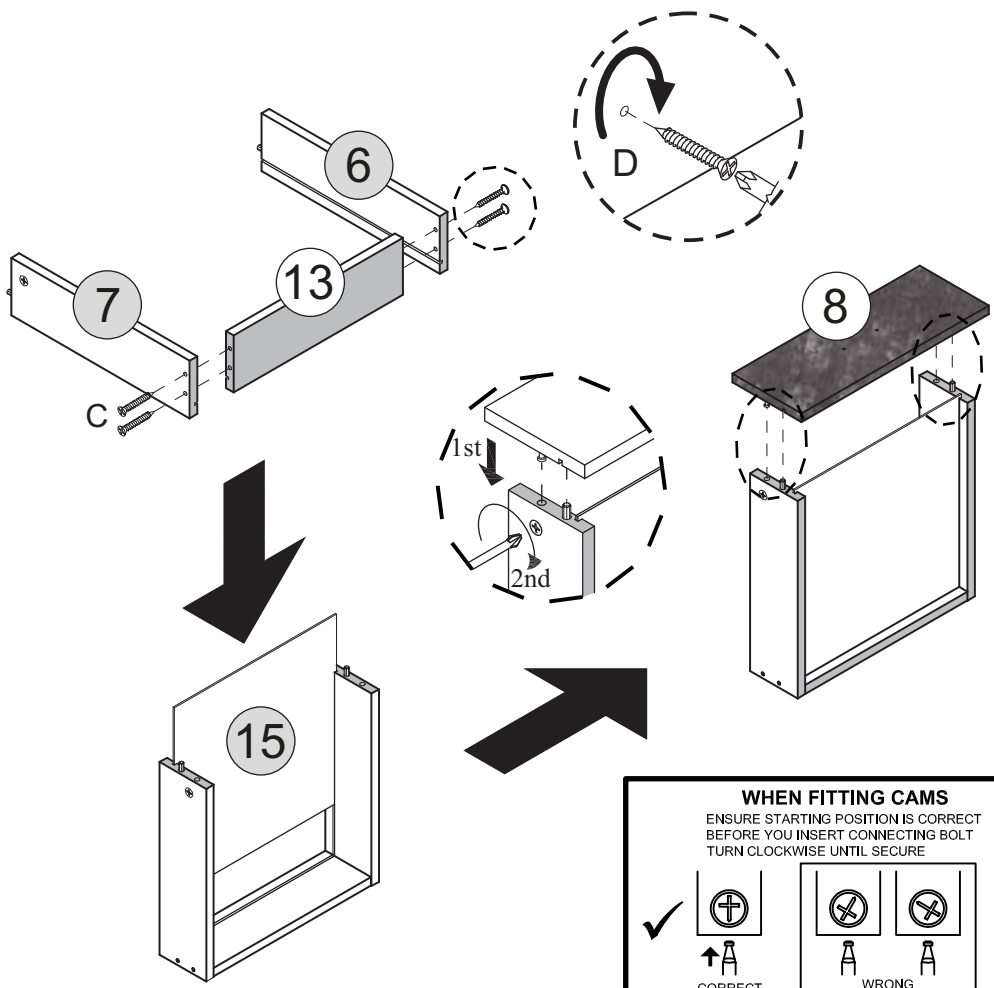
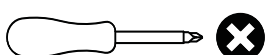
PARTS REQUIRED

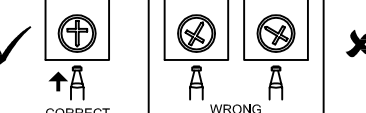
- 6 - LEFT DRAWER SIDE x1
- 7 - RIGHT DRAWER SIDE x1
- 8 - DRAWER FRONT PANEL x1
- 13 - DRAWER BACK x1
- 15 - DRAWER BASE x1

HARDWARE REQUIRED

- D  04

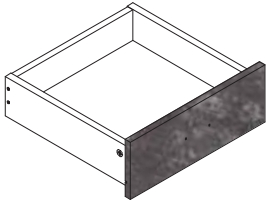
TOOLS REQUIRED



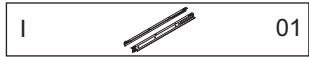
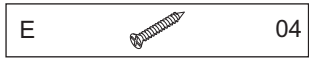
<p>WHEN FITTING CAMS ENSURE STARTING POSITION IS CORRECT BEFORE YOU INSERT CONNECTING BOLT TURN CLOCKWISE UNTIL SECURE</p>  <p>✓ ✗ ✗</p> <p>CORRECT WRONG</p>
--

STEP 13

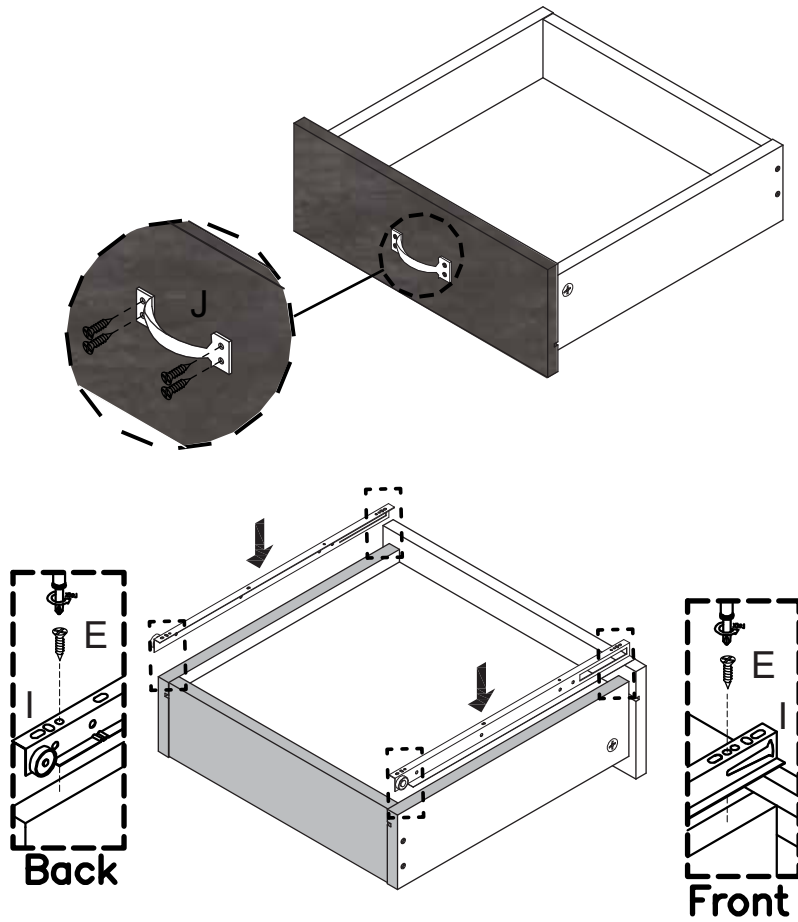
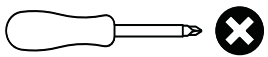
PARTS REQUIRED



HARDWARE REQUIRED

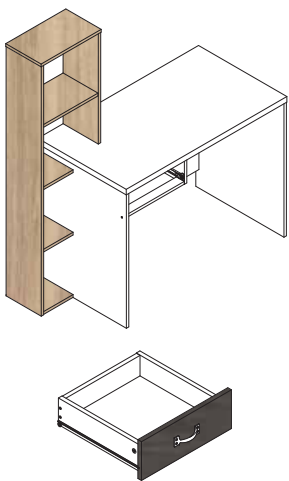


TOOLS REQUIRED



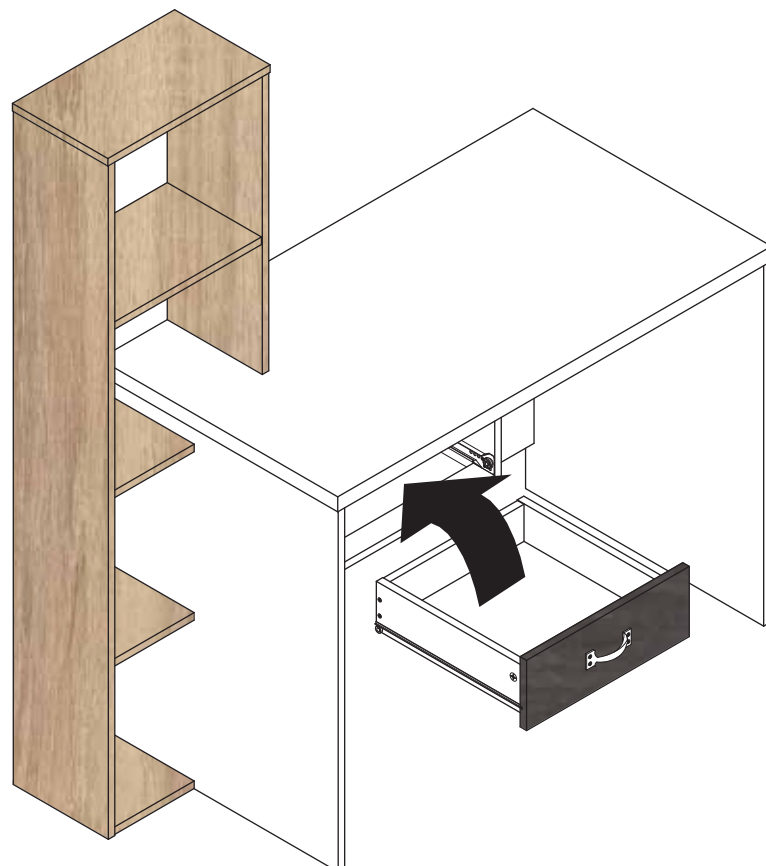
STEP 14

PARTS REQUIRED



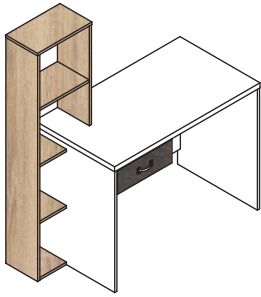
HARDWARE REQUIRED

TOOLS REQUIRED



STEP 15

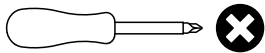
PARTS REQUIRED



HARDWARE REQUIRED



TOOLS REQUIRED



WARNING

Serious or fatal injuries can occur from furniture tipping over. To prevent the furniture from tipping over we recommend that it is permanently fixed to the wall.

Wall fixings are not supplied with this product as different wall materials require different types of fixing devices. Please make sure you use fixings suitable for the walls in your home.

